



US00D444583S

(12) **United States Design Patent**  
**Boecker**

(10) **Patent No.:** **US D444,583 S**

(45) **Date of Patent:** **\*\* Jul. 3, 2001**

(54) **PORTABLE LIGHT FIXTURE**

5,941,630 \* 8/1999 Finke et al. .... 362/419 X

(76) Inventor: **Allan Joseph Boecker**, 10450 Bel Air Dr., Cherry Valley, CA (US) 92223

\* cited by examiner

(\*\*) Term: **14 Years**

*Primary Examiner*—Susan J. Lucas

(74) *Attorney, Agent, or Firm*—Sheldon & Mak

(21) Appl. No.: **29/122,166**

(57) **CLAIM**

(22) Filed: **Apr. 20, 2000**

I claim the ornamental design for a portable light fixture, as shown.

(51) **LOC (7) Cl.** ..... **26-05**

**DESCRIPTION**

(52) **U.S. Cl.** ..... **D26/65; D10/104**

(58) **Field of Search** ..... D26/269, 270, D26/275, 282, 283, 284, 285, 286, 287, 290, 427, 428, 429, 430, 410, 413, 418, 419; D10/104

FIG. 1 is a right oblique perspective view of a portable light fixture of my new design;

FIG. 2 is a right side view of the light fixture;

FIG. 3 is a left side view of the light fixture;

FIG. 4 is a front view of the light fixture;

FIG. 5 is a rear view of the light fixture;

FIG. 6 is a top view of the light fixture; and,

FIG. 7 is a bottom view of the light fixture.

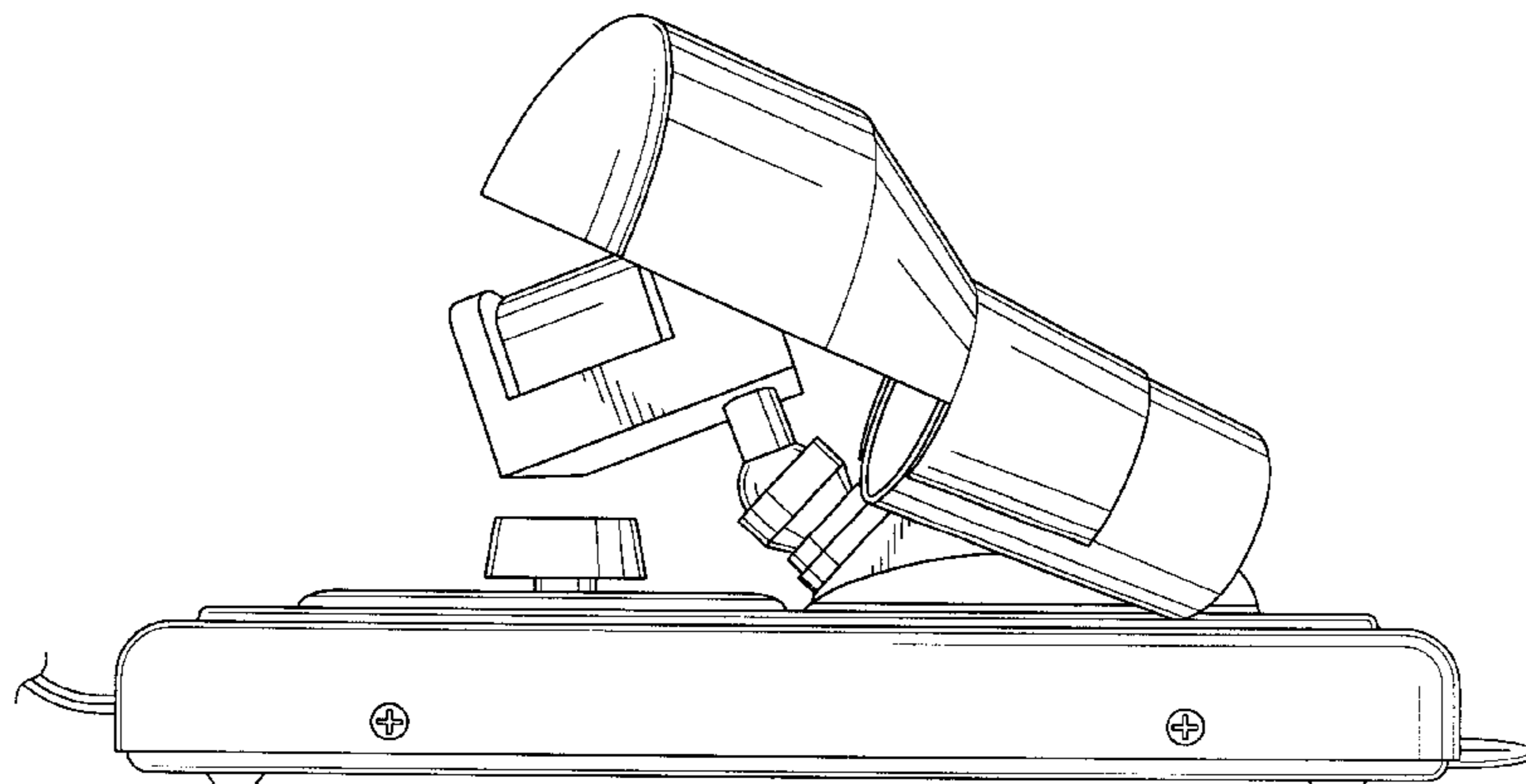
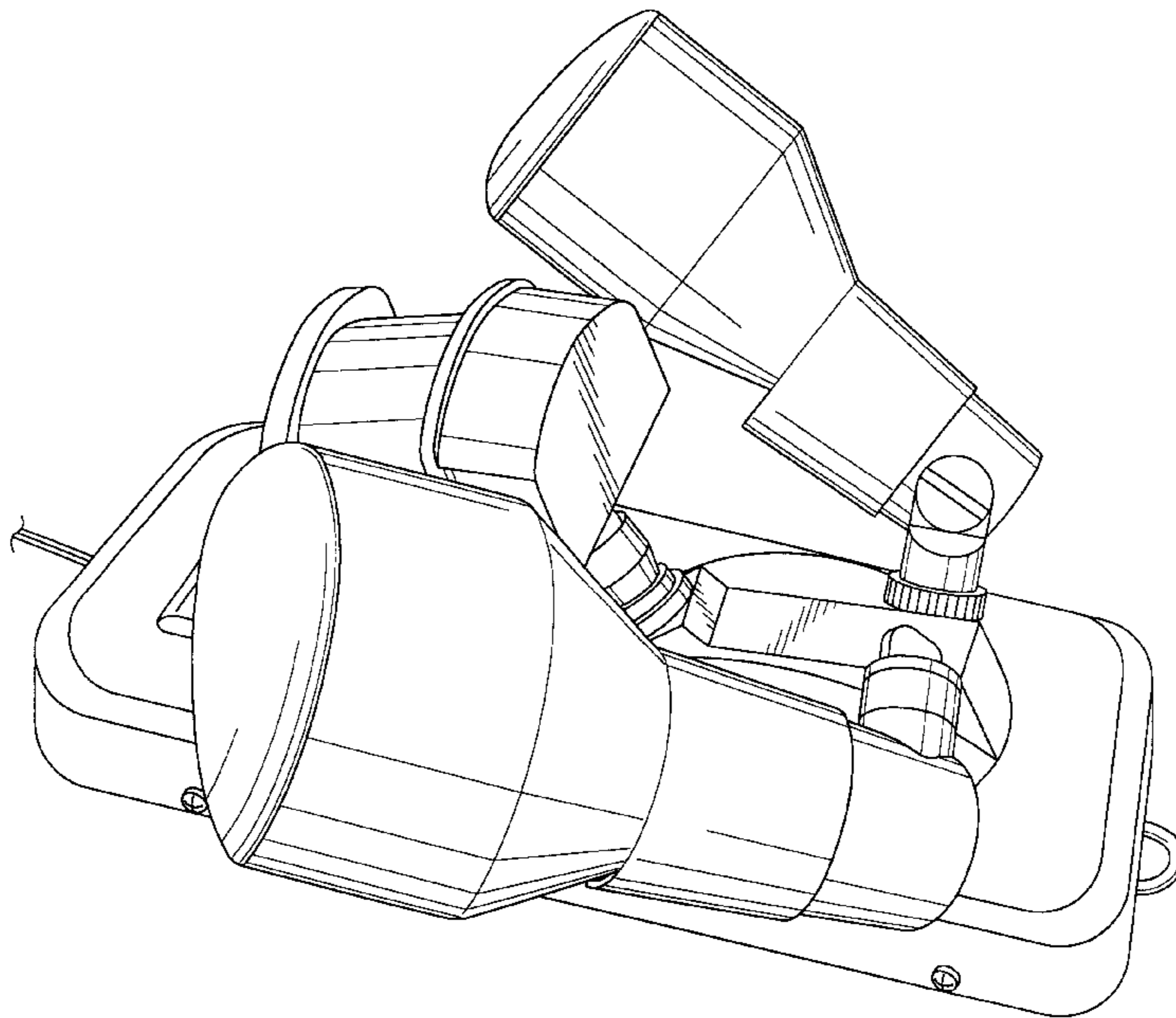
(56) **References Cited**

**U.S. PATENT DOCUMENTS**

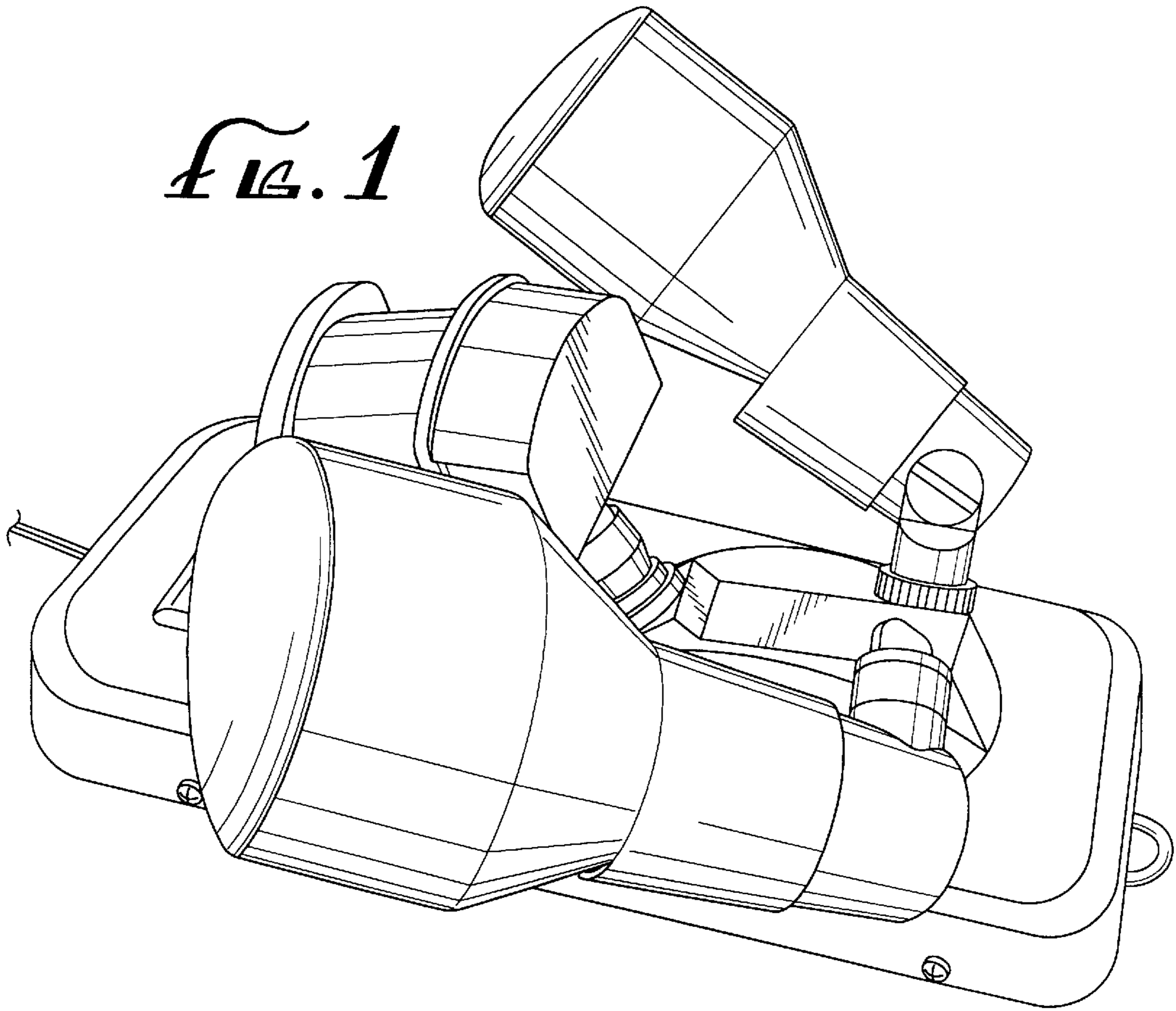
D. 424,727 \* 5/2000 Greubel ..... D26/61

5,258,899 \* 11/1993 Chen ..... 362/419 X

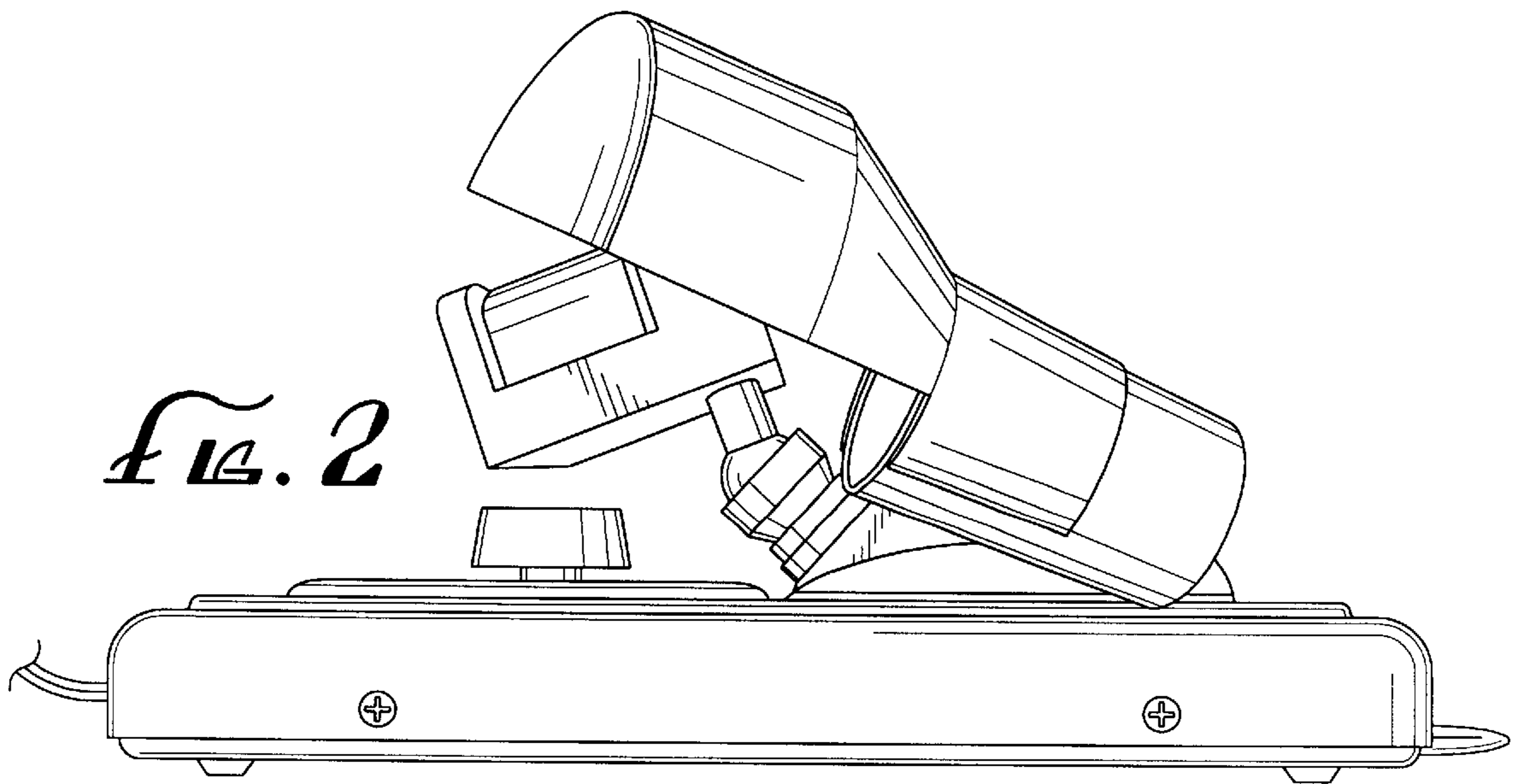
**1 Claim, 4 Drawing Sheets**

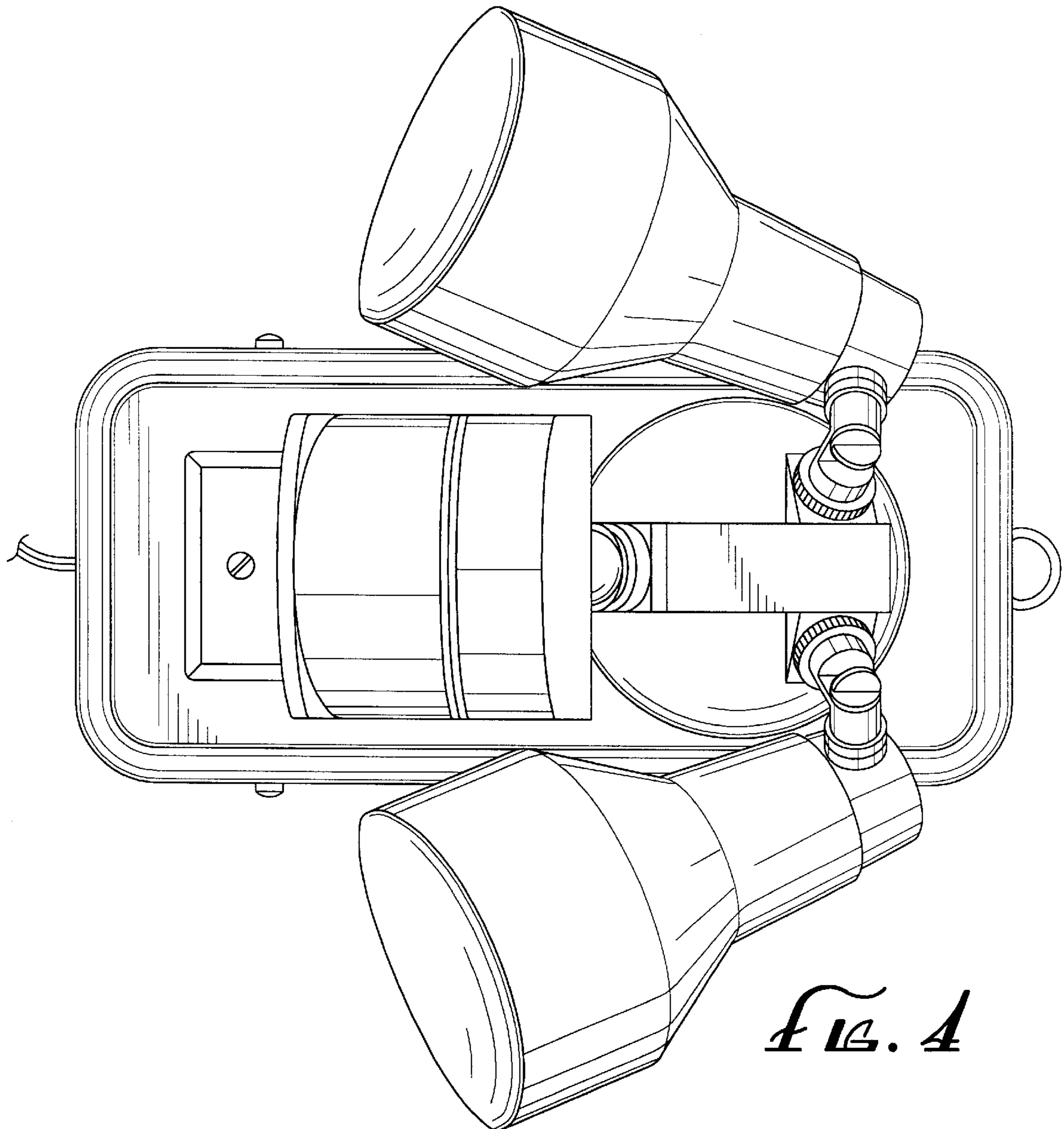


*FIG. 1*

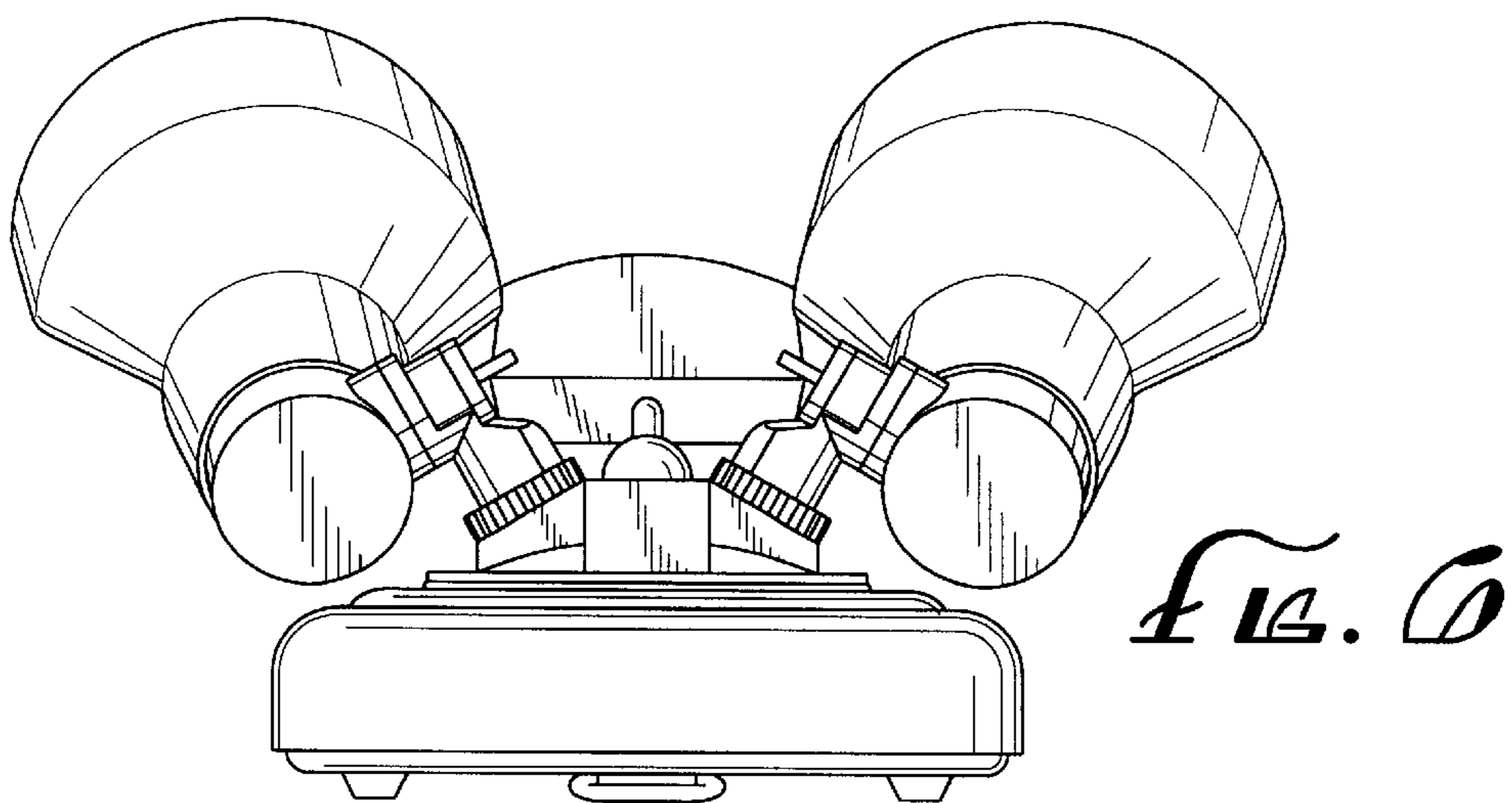
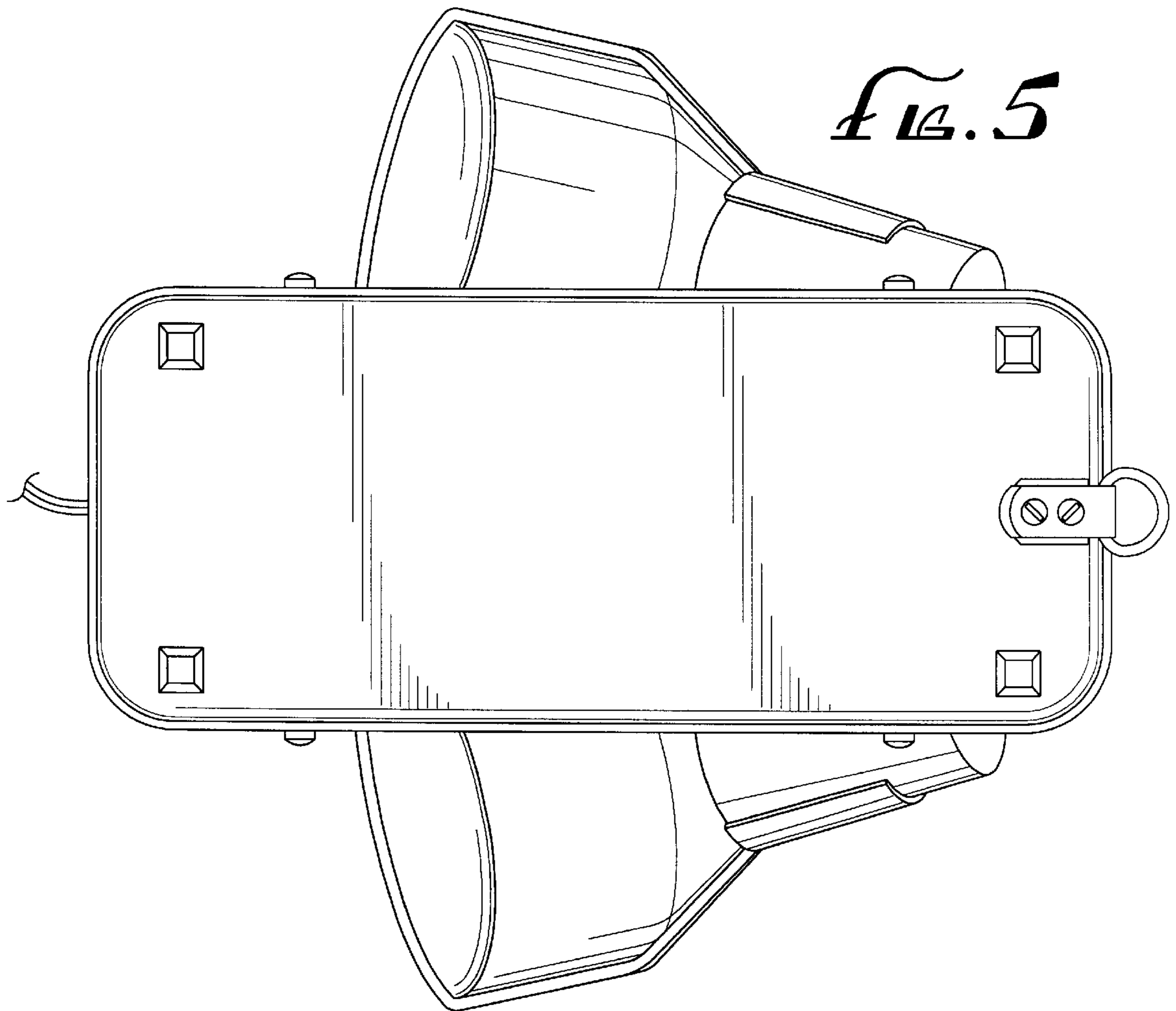


*FIG. 2*





*FIG. 4*



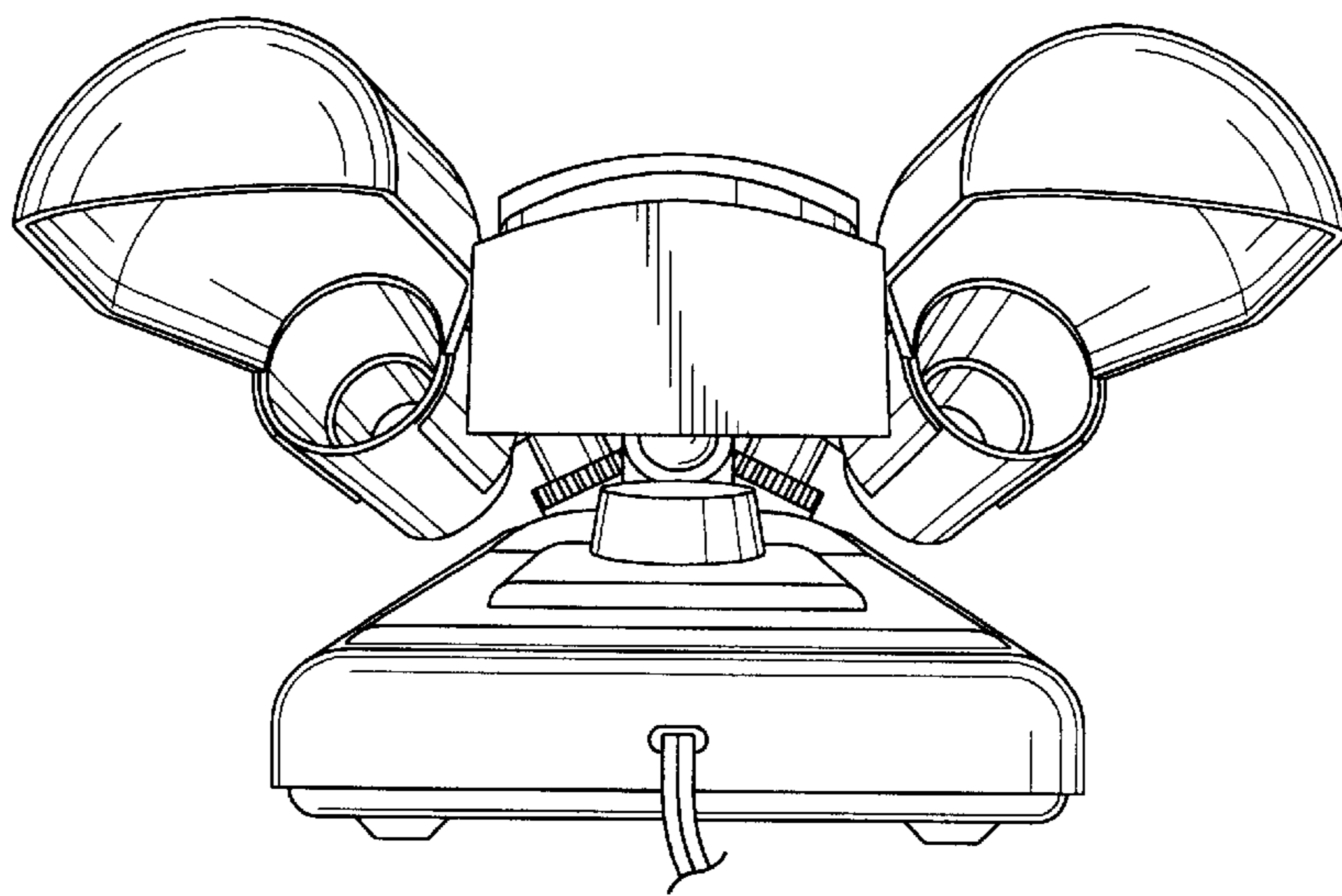
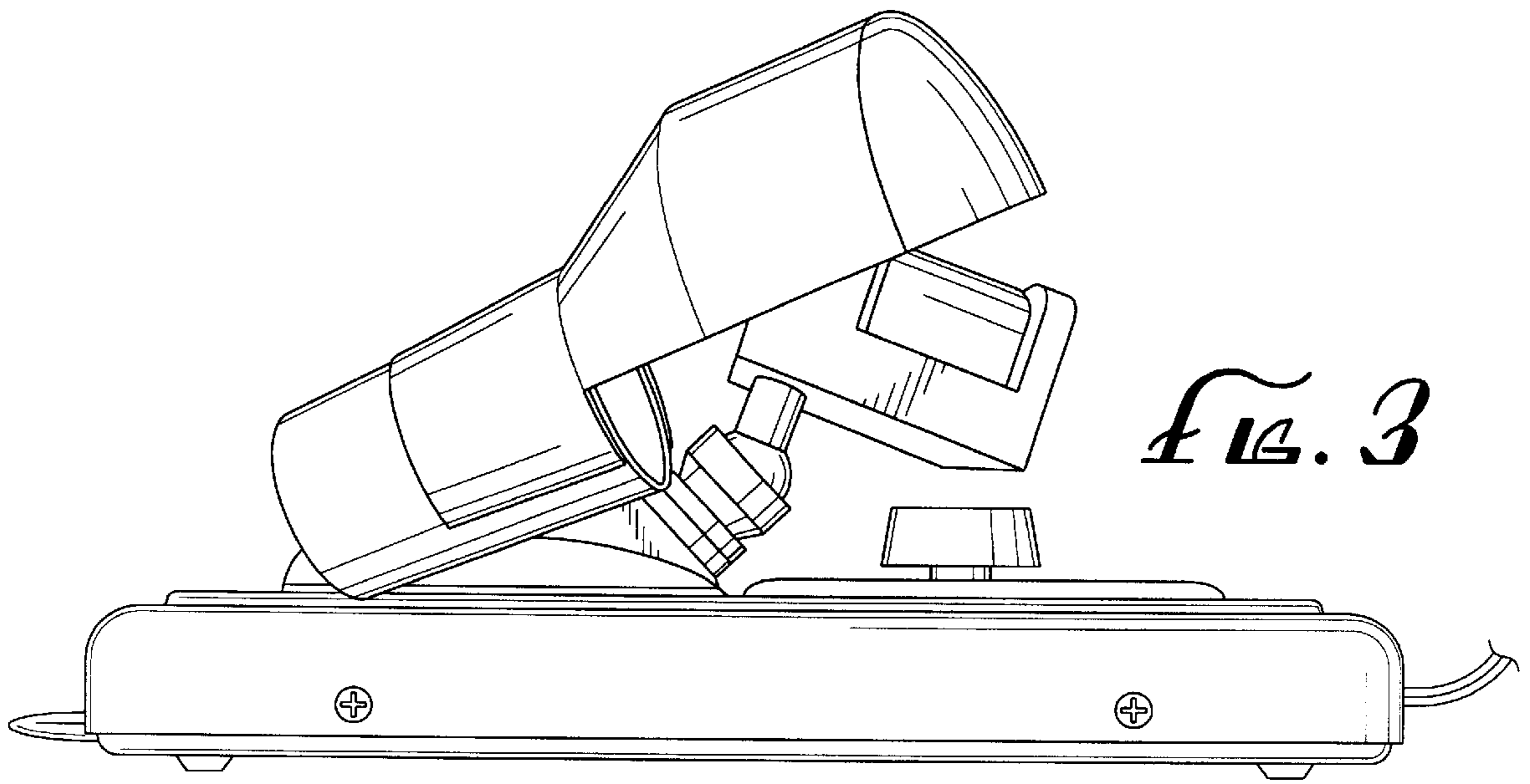


FIG. 7