



US00D444582S

(12) **United States Design Patent**
Poon

(10) **Patent No.:** **US D444,582 S**

(45) **Date of Patent:** **** Jul. 3, 2001**

(54) **RECHARGEABLE FLASHLIGHT**

(75) Inventor: **Tit Wing Poon**, Shatin, N. T. (HK)

(73) Assignee: **Flying Dragon Development Ltd.**,
Hong Kong (HK)

(**) Term: **14 Years**

(21) Appl. No.: **29/126,271**

(22) Filed: **Sep. 29, 2000**

(51) **LOC (7) Cl.** **26-02**

(52) **U.S. Cl.** **D26/44**

(58) **Field of Search** D26/37-50; 362/157,
362/158, 171, 173, 183-208

(56) **References Cited**

U.S. PATENT DOCUMENTS

D. 406,372 * 3/1999 Matthes et al. D26/44

D. 428,175 * 7/2000 Lynch et al. D26/44

* cited by examiner

Primary Examiner—Marcus A. Jackson

(74) *Attorney, Agent, or Firm*—Alix, Yale & Ristas, LLP

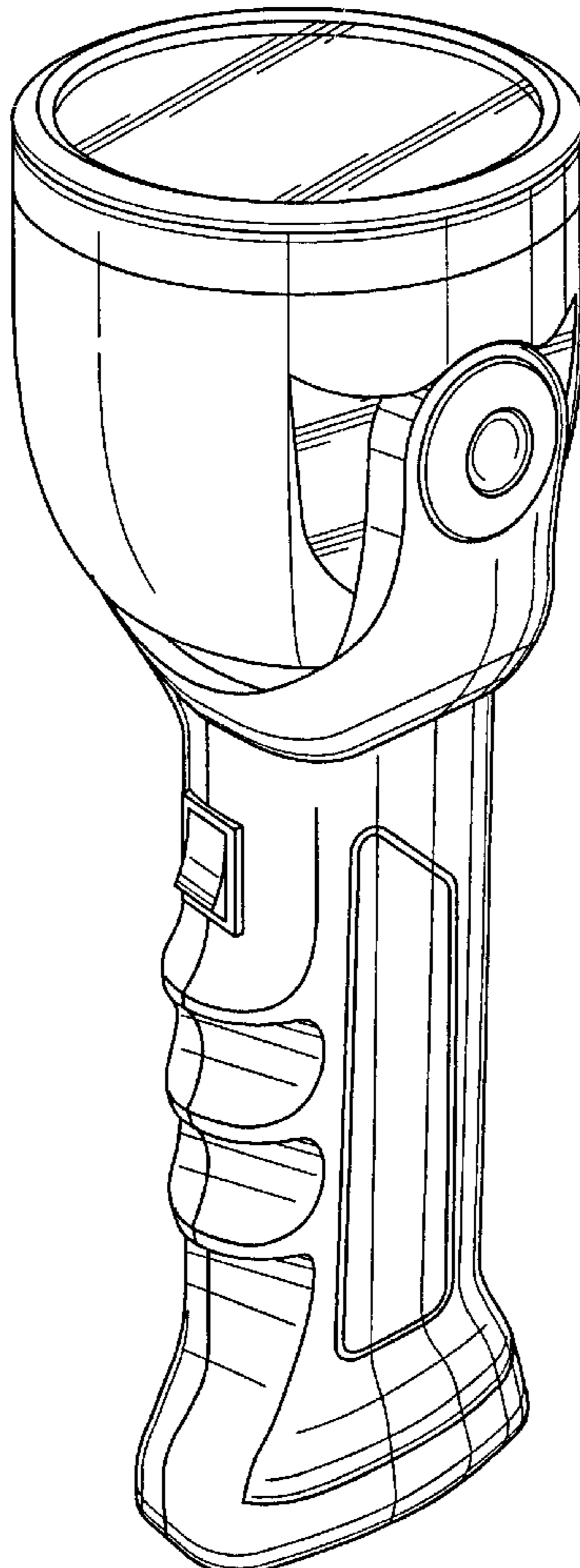
(57) **CLAIM**

The ornamental design for a rechargeable flashlight, as shown and described.

DESCRIPTION

FIG. 1 is a perspective view of the rechargeable flashlight showing my new design;
FIG. 2 is a perspective view of the rechargeable flashlight of FIG. 1 with parts in an alternative position;
FIG. 3 is a front view of the rechargeable flashlight of FIG. 1;
FIG. 4 is a left side view of the rechargeable flashlight of FIG. 1;
FIG. 5 is a top plan view of the rechargeable flashlight of FIG. 1;
FIG. 6 is a rear view of the rechargeable flashlight of FIG. 1;
FIG. 7 is a right side view of the rechargeable flashlight of FIG. 1; and,
FIG. 8 is a bottom plan view of the rechargeable flashlight of FIG. 1.

1 Claim, 4 Drawing Sheets



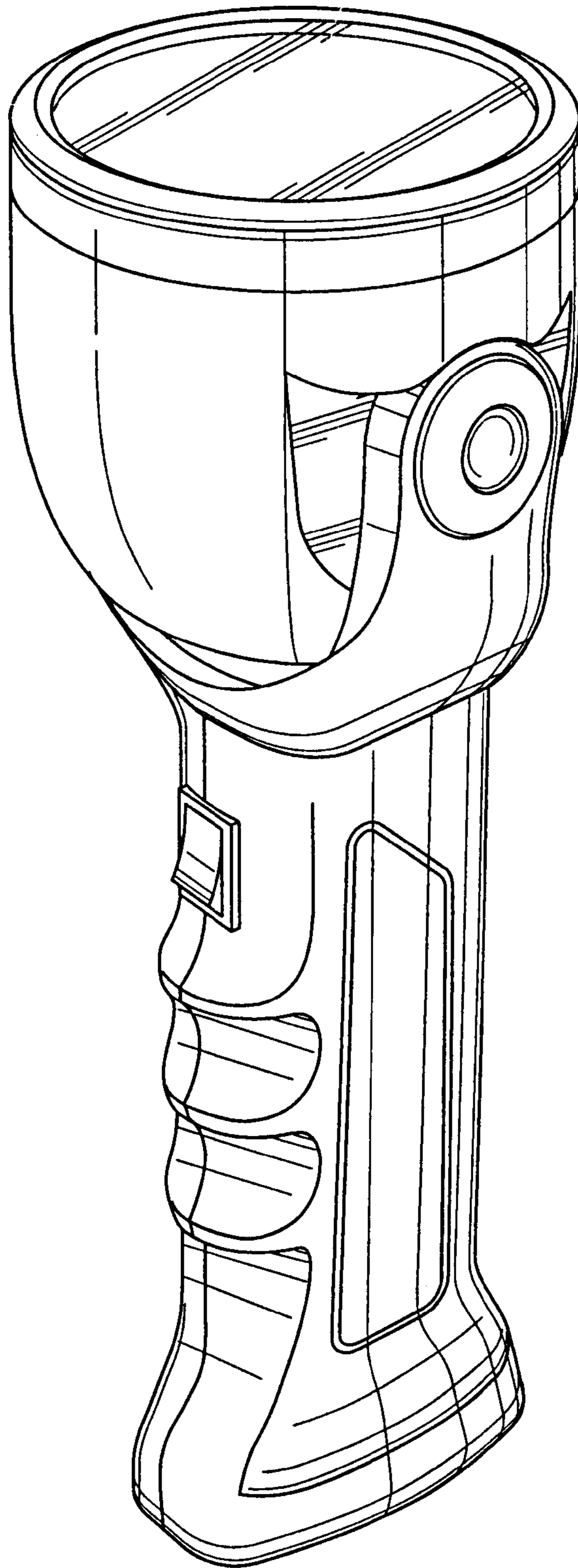


FIG. 1

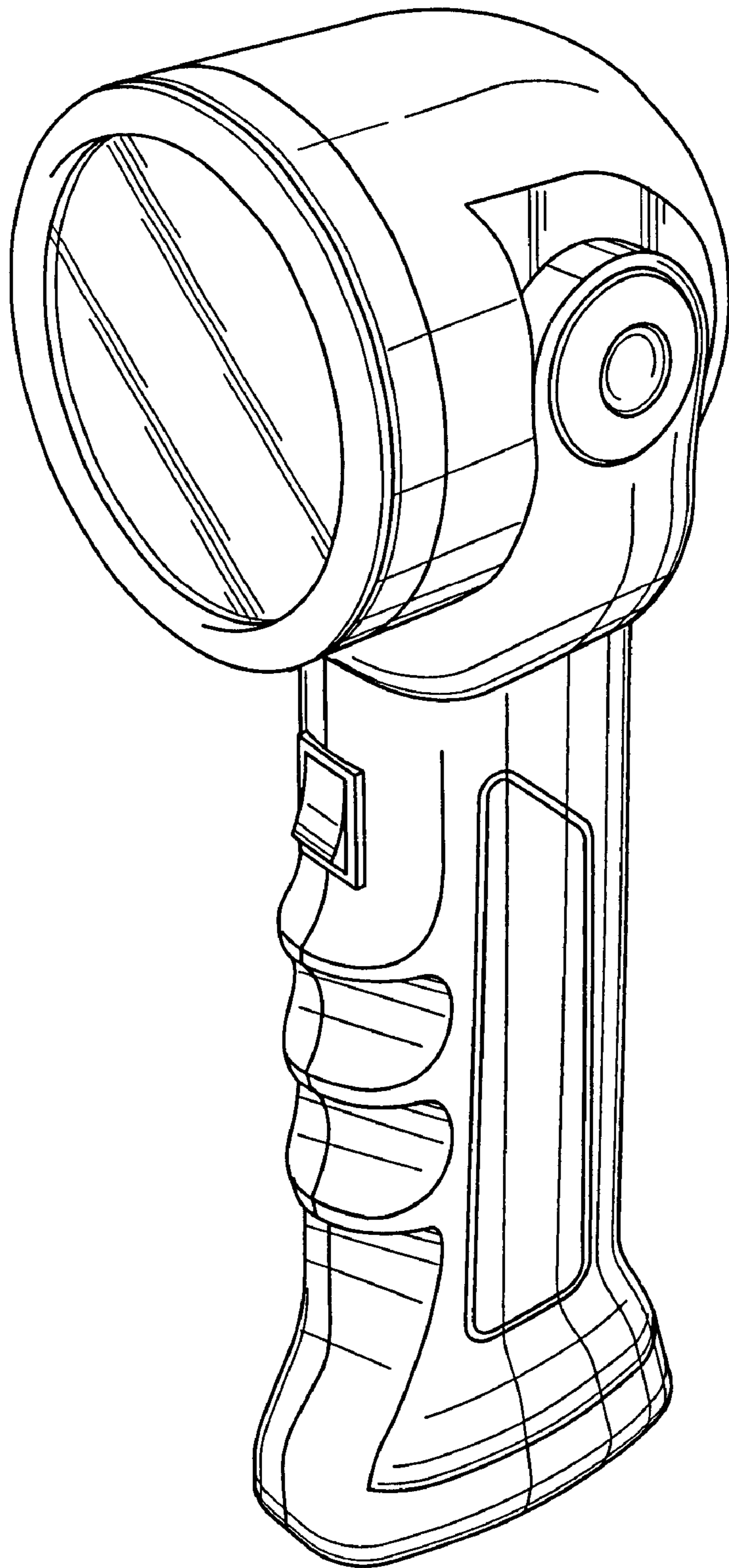


FIG. 2

FIG. 5

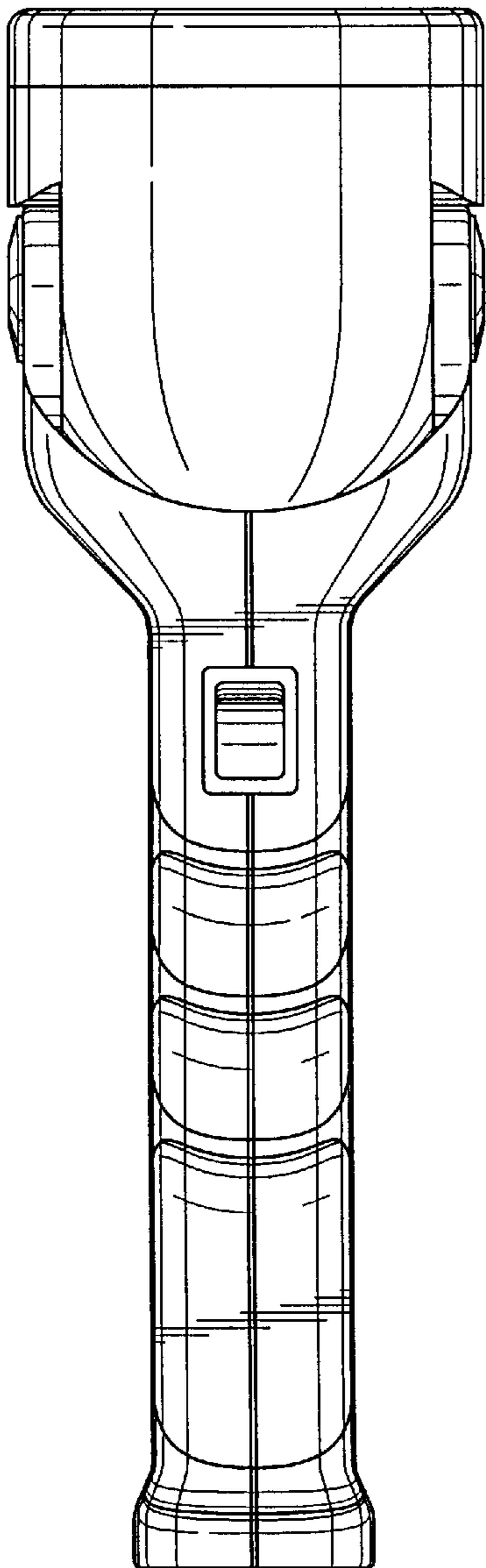
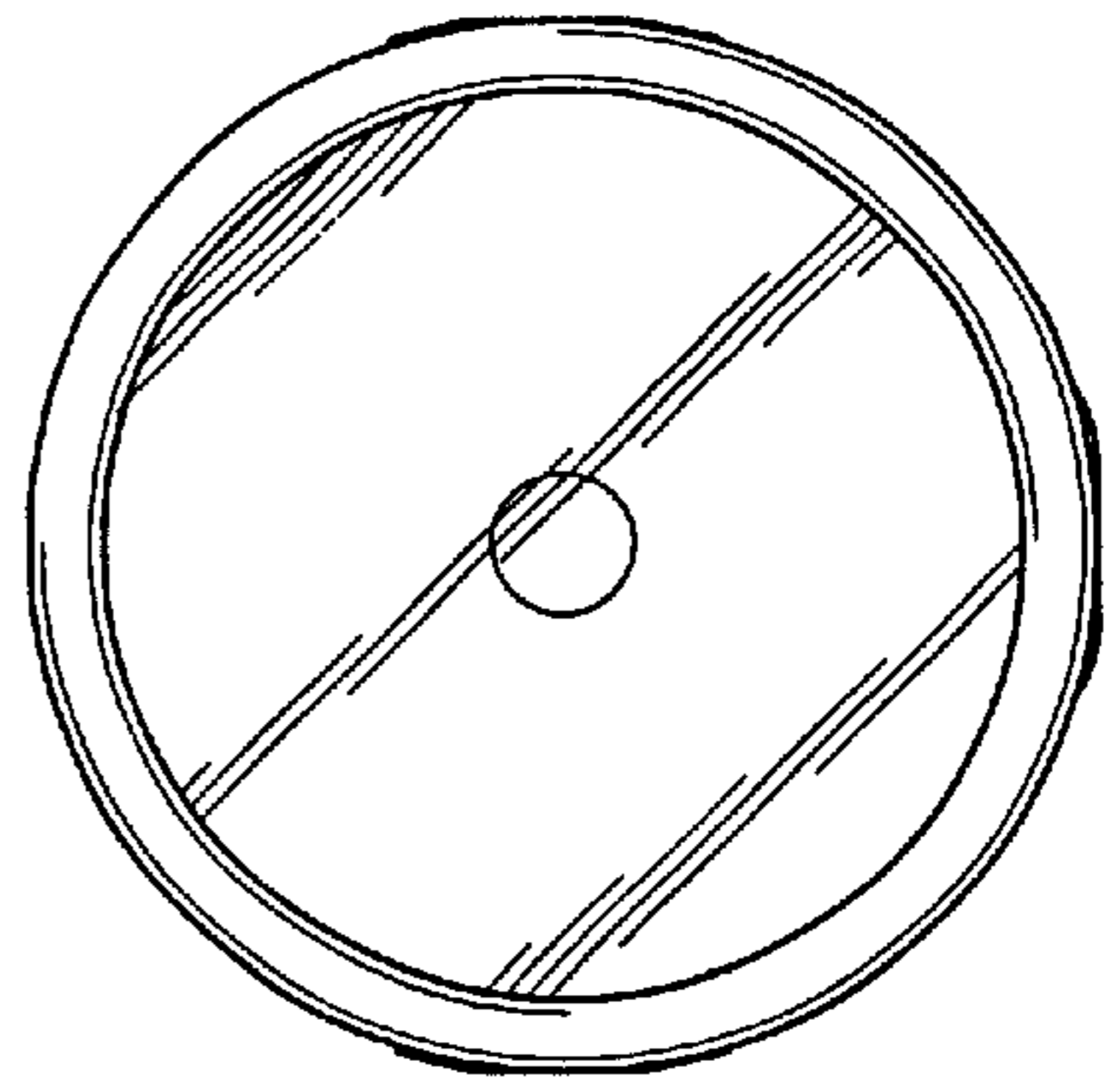


FIG. 4

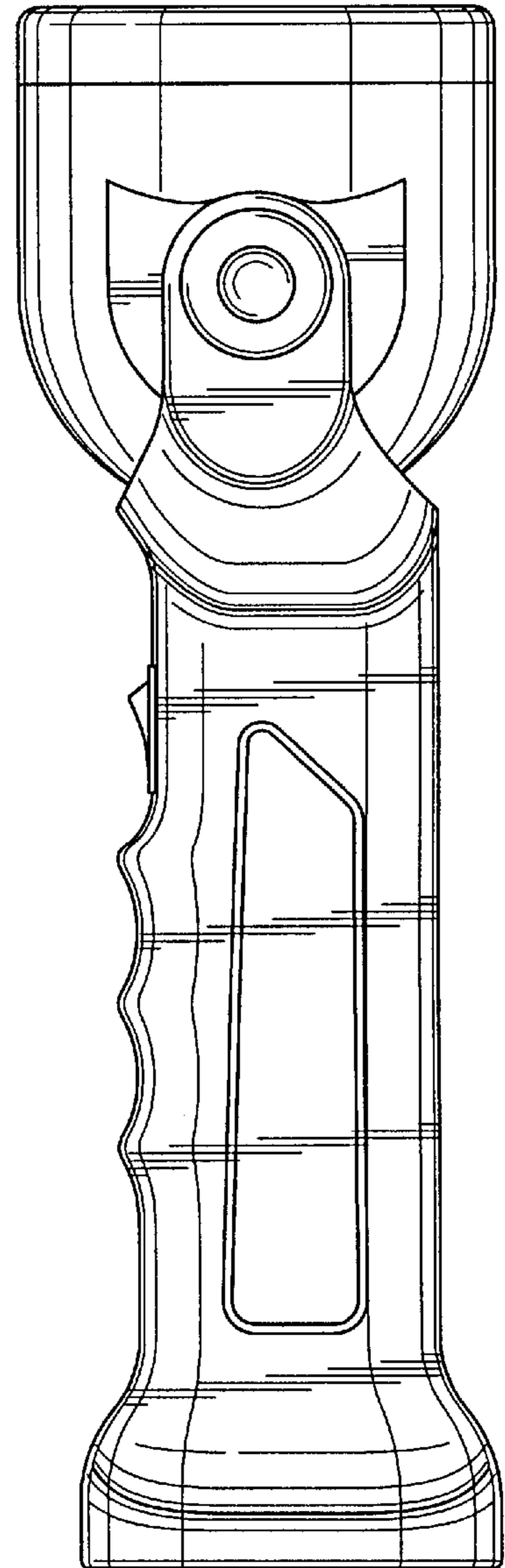


FIG. 3

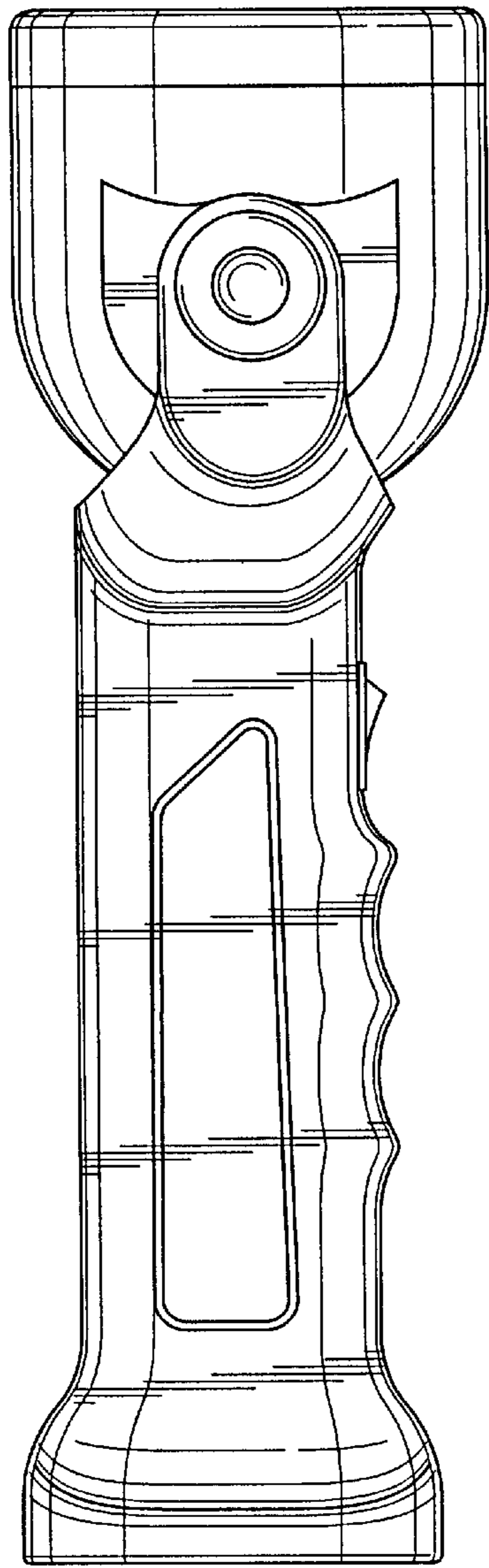


FIG. 6

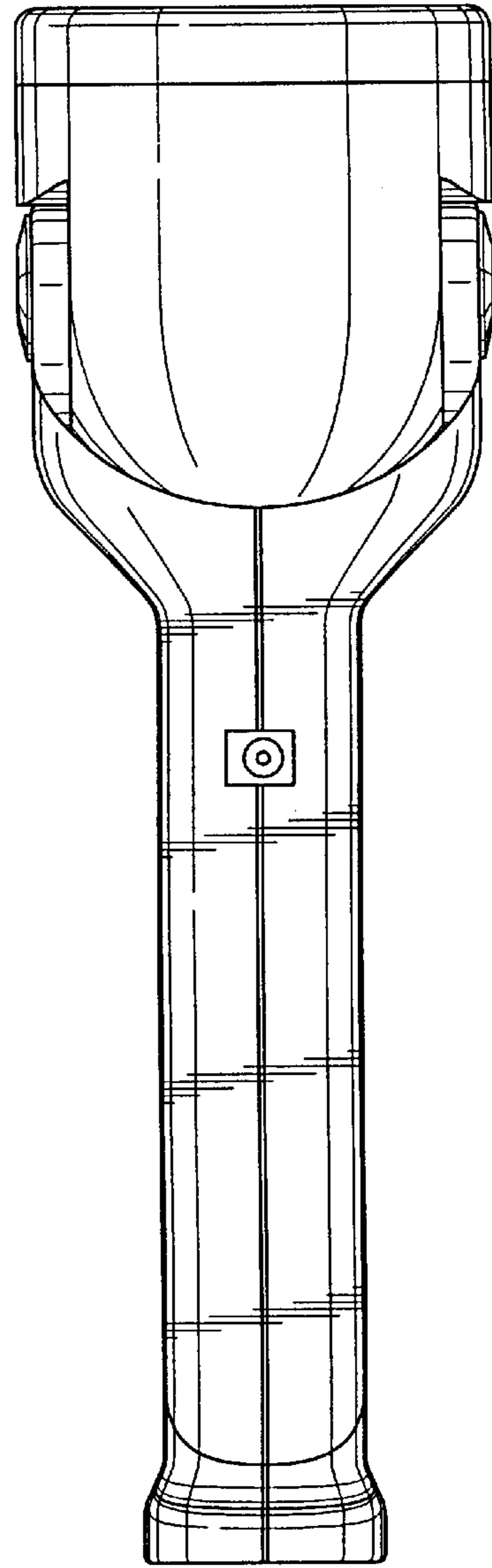


FIG. 7

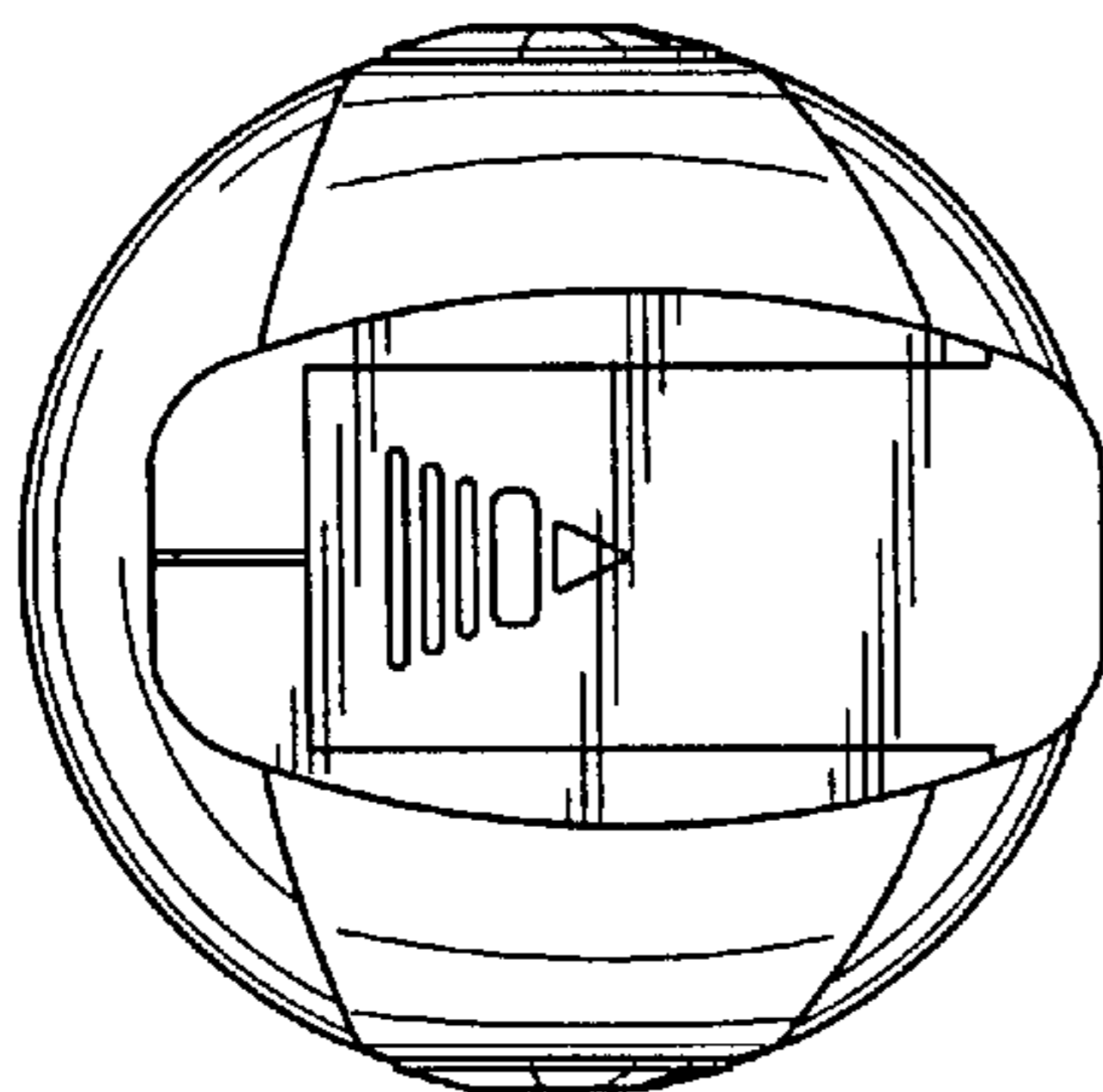


FIG. 8