



US00D444581S

(12) **United States Design Patent**  
**Okuda**

(10) **Patent No.:** **US D444,581 S**

(45) **Date of Patent:** **\*\* Jul. 3, 2001**

(54) **HEADLAMP FOR BICYCLE**

(75) Inventor: **Yoji Okuda**, Tondabayashi (JP)

(73) Assignee: **Cateye Co., Ltd.**, Osaka (JP)

(\*\*) Term: **14 Years**

(21) Appl. No.: **29/134,616**

(22) Filed: **Dec. 27, 2000**

(30) **Foreign Application Priority Data**

Jun. 29, 2000 (JP) ..... 12-017673

(51) **LOC (7) Cl.** ..... **26-06**

(52) **U.S. Cl.** ..... **D26/28**

(58) **Field of Search** ..... D26/28-36; 362/61,  
362/74, 80, 81, 82, 83, 83.3, 157, 183,  
189-208

(56) **References Cited**

**U.S. PATENT DOCUMENTS**

D. 346,230 \* 4/1994 Ueda ..... D26/28

D. 382,356 \* 8/1997 Okuda et al. .... D26/28

D. 406,369 \* 3/1999 Dalton et al. .... D26/28

D. 407,835 \* 4/1999 Okuda ..... D26/28

D. 409,775 \* 5/1999 Lin ..... D26/28

\* cited by examiner

*Primary Examiner*—Marcus A. Jackson

(74) *Attorney, Agent, or Firm*—Olson & Hierl, Ltd.

(57) **CLAIM**

The ornamental design for a headlamp for bicycle, as shown.

**DESCRIPTION**

FIG. 1 is a front view of a headlamp for a bicycle showing my new design;

FIG. 2 is a rear view thereof;

FIG. 3. is a top plan view thereof;

FIG. 4 is a bottom plan view thereof;

FIG. 5 is a left side view thereof;

FIG. 6 is a right side view thereof; and,

FIG. 7 is a perspective view thereof.

**1 Claim, 3 Drawing Sheets**

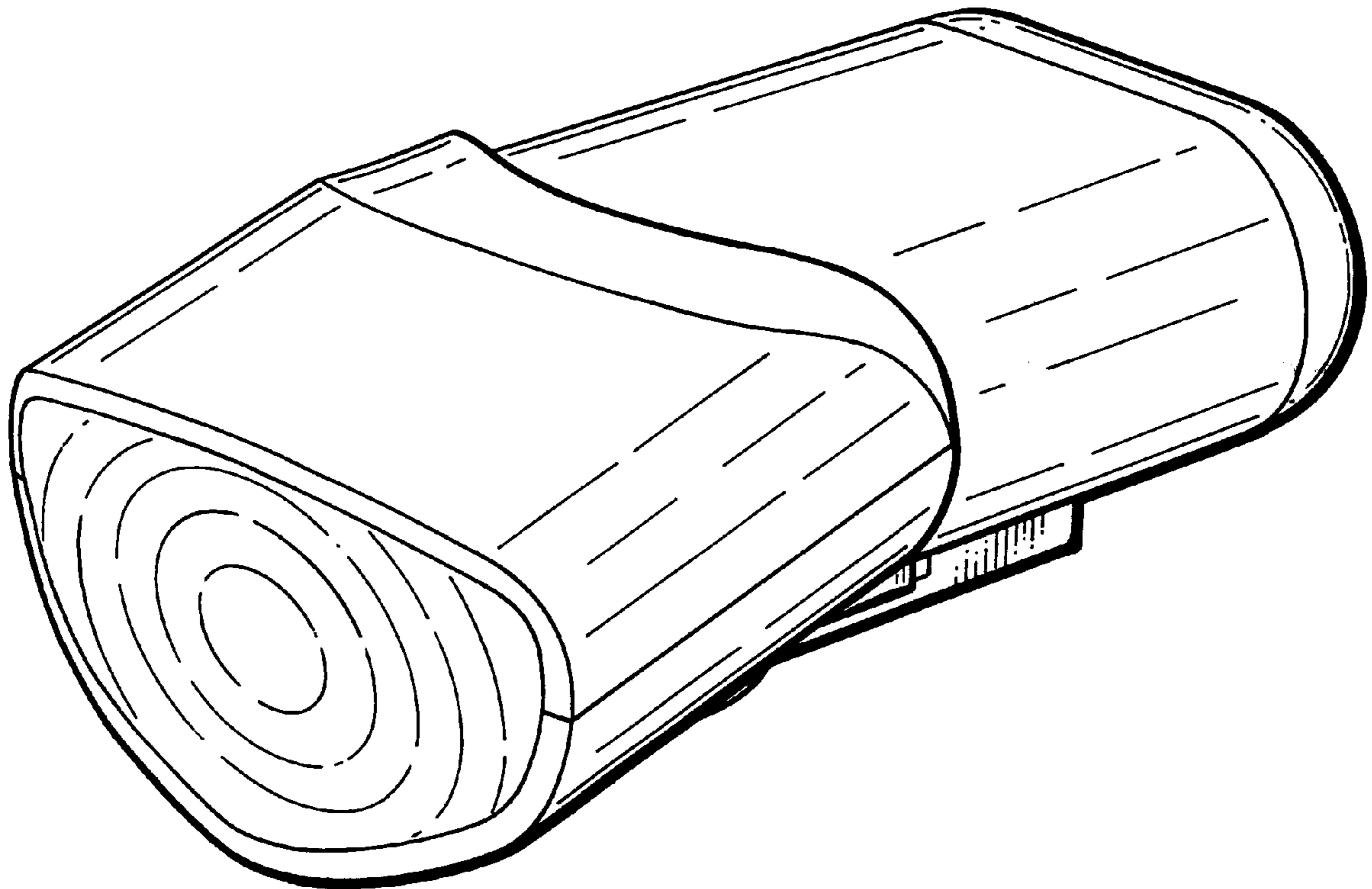


Fig. 1

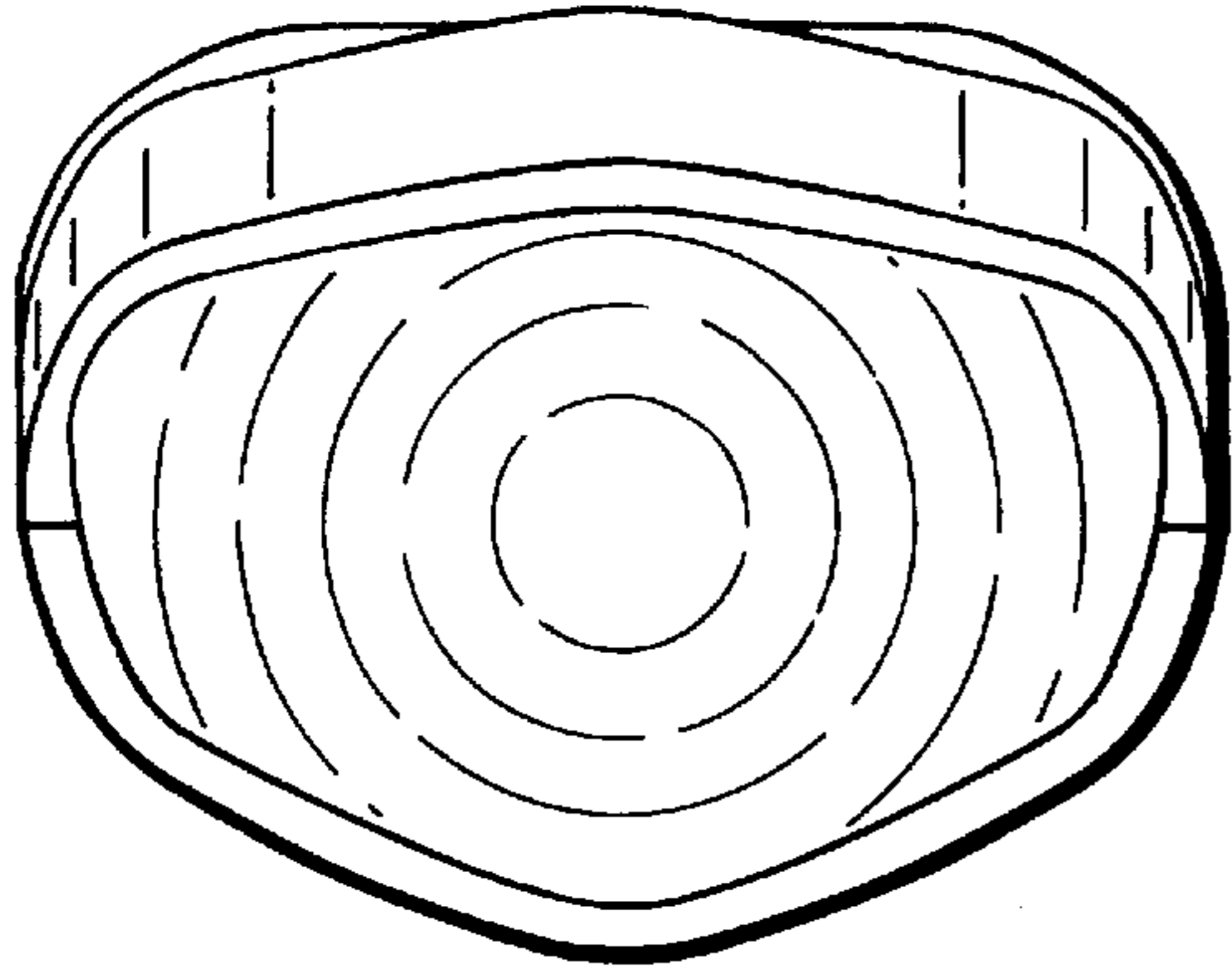


Fig. 2

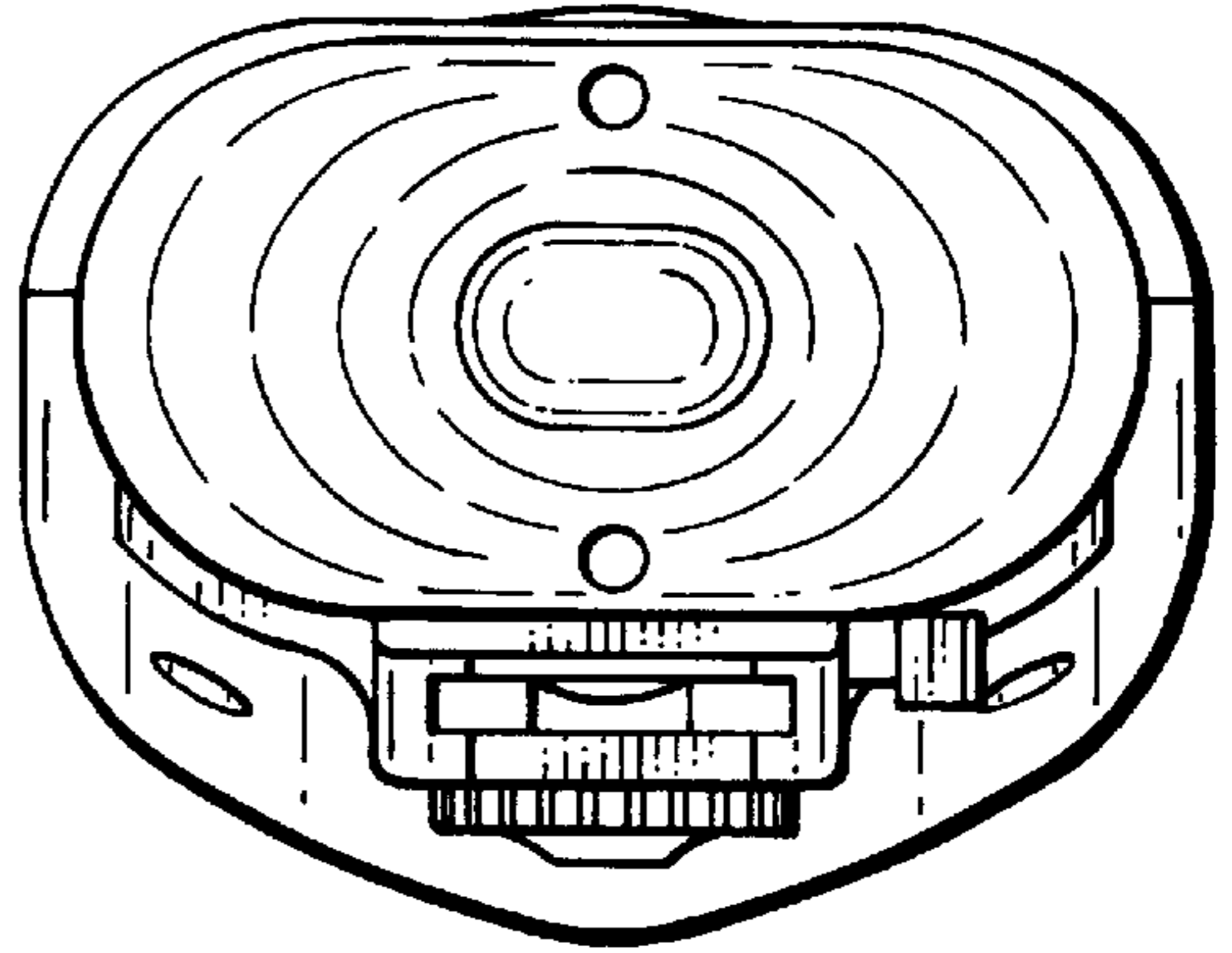


Fig. 3

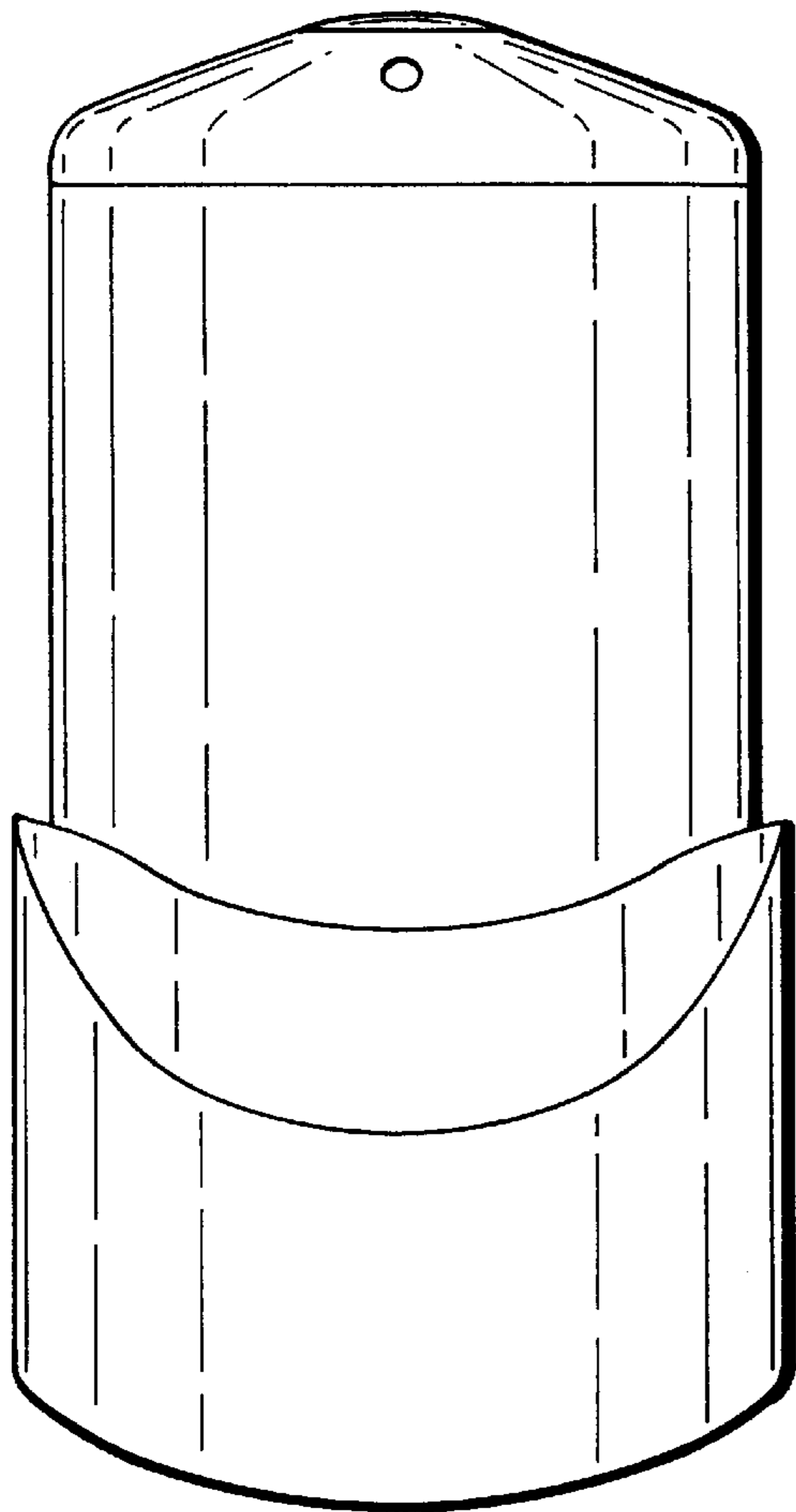


Fig. 4

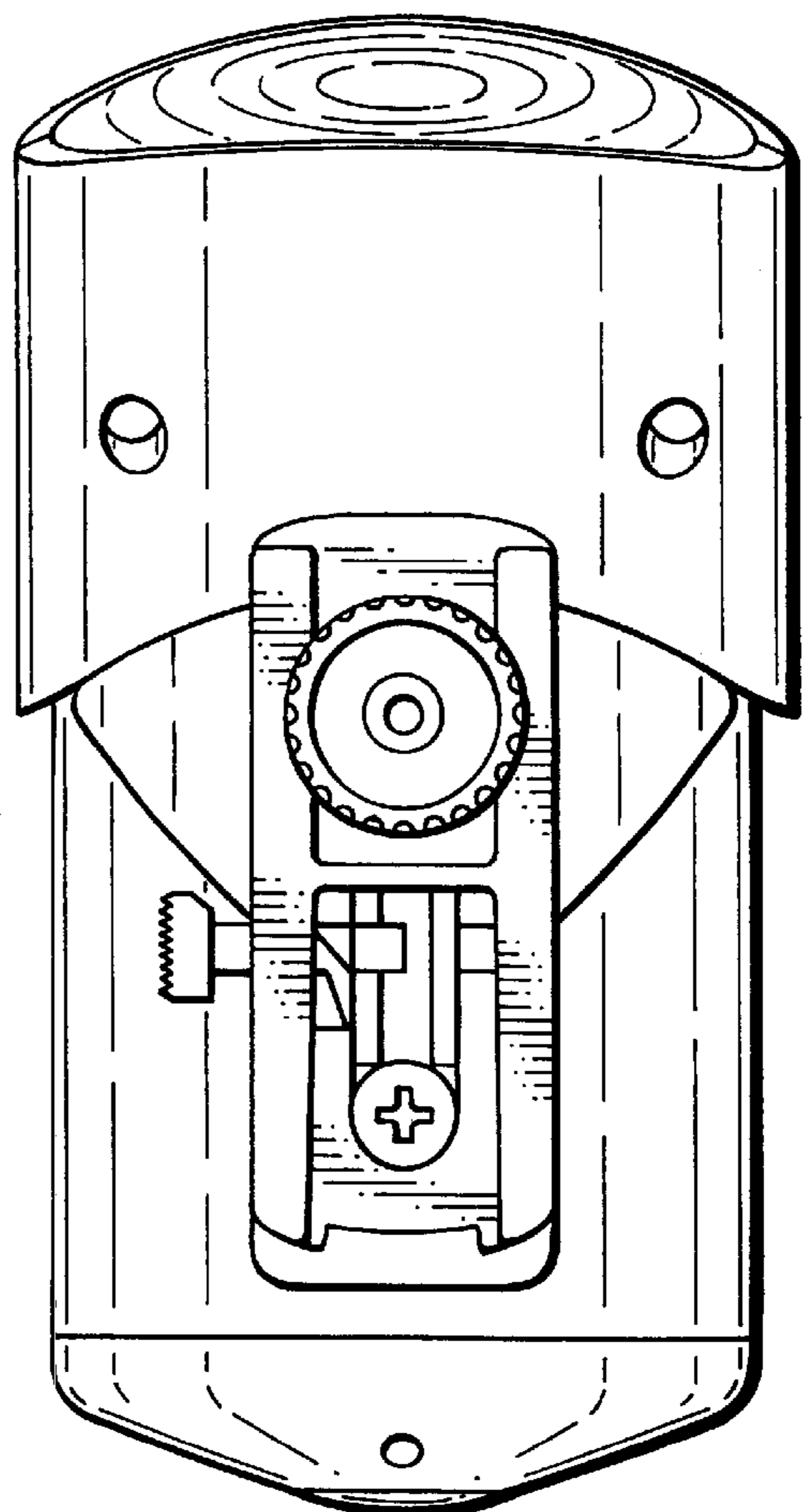


Fig. 5

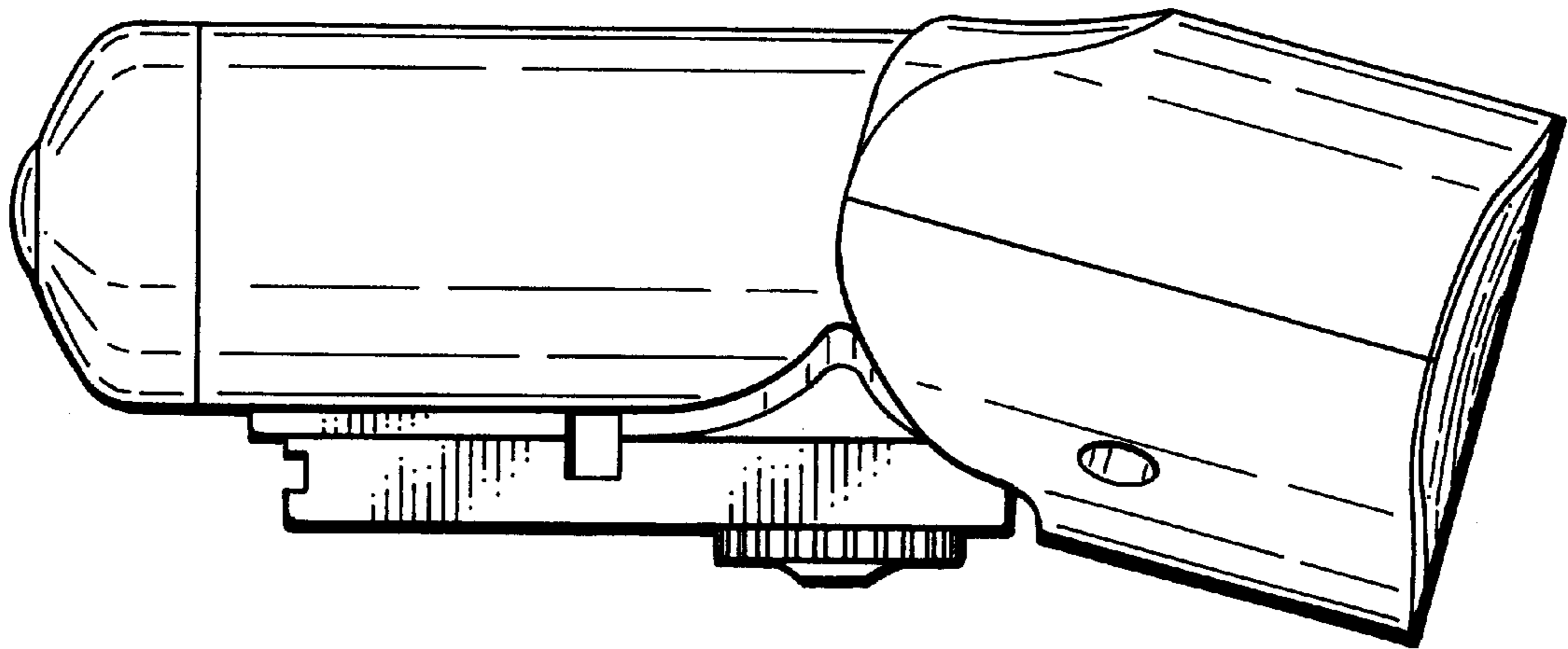


Fig. 6

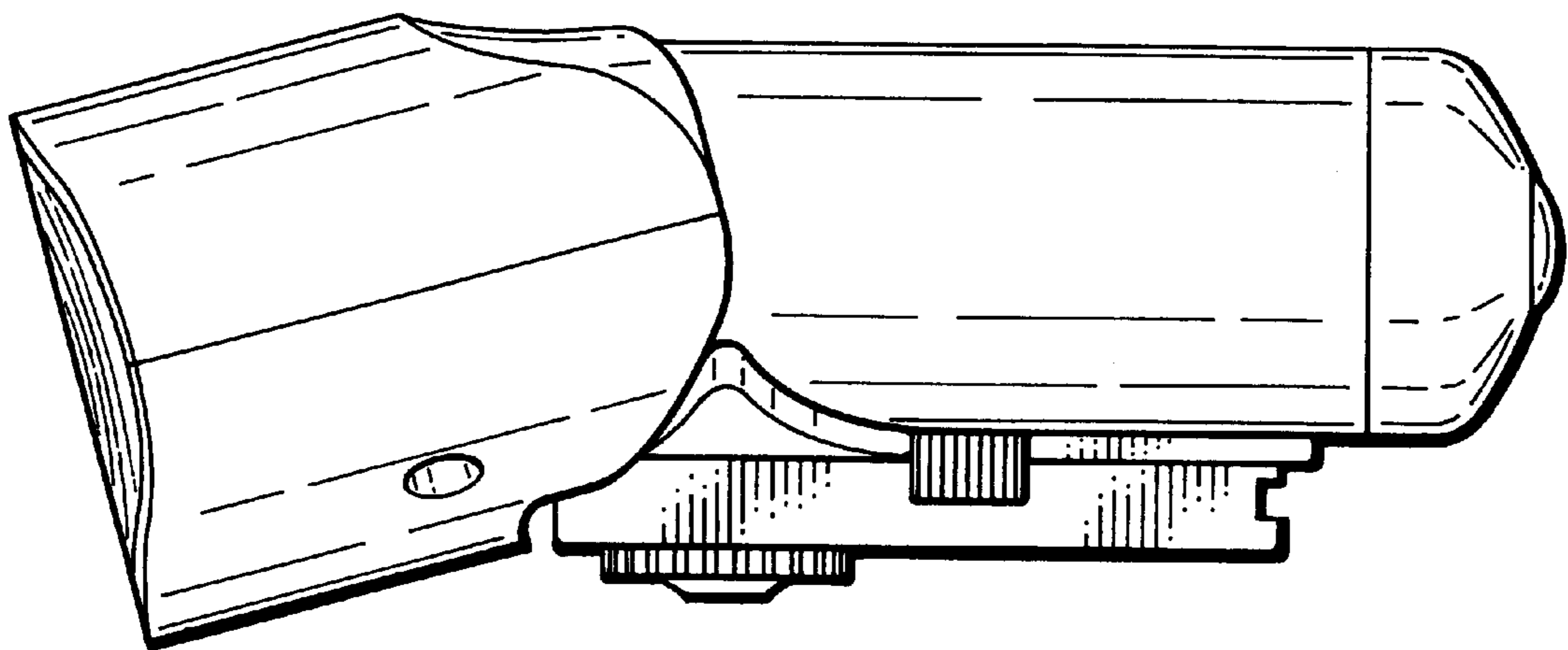
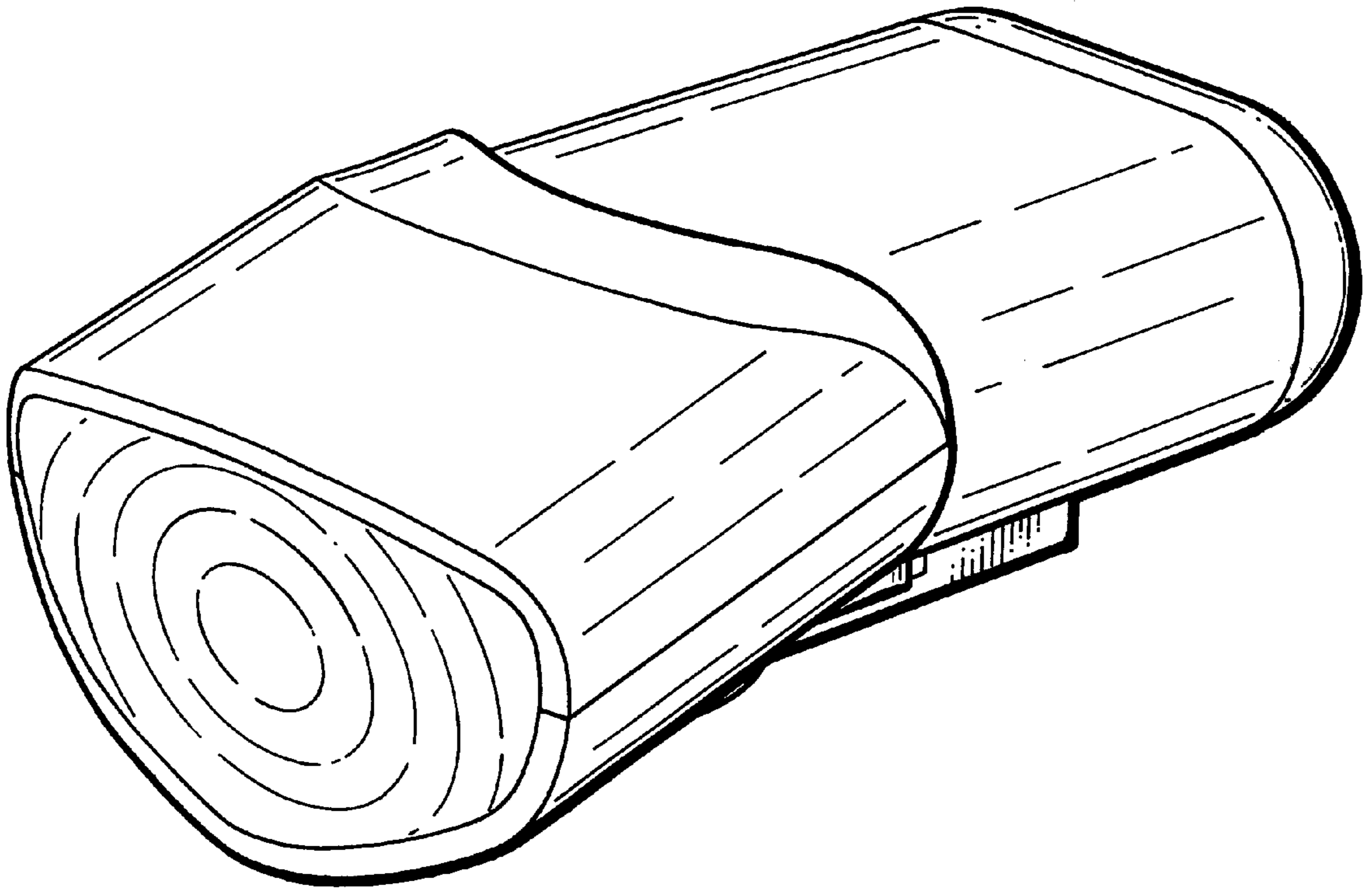


Fig. 7



UNITED STATES PATENT AND TRADEMARK OFFICE  
**CERTIFICATE OF CORRECTION**

PATENT NO. : Des 444,581 S  
DATED : July 3, 2001  
INVENTOR(S) : Yoji Okuda

Page 1 of 1

It is certified that error appears in the above-identified patent and that said Letters Patent is hereby corrected as shown below:

Title page.

Under **Foreign Application Priority Data**, delete "12-017673" and insert -- 2000-017673 --.

Signed and Sealed this

Eleventh Day of December, 2001

Attest:

*Nicholas P. Godici*

Attesting Officer

NICHOLAS P. GODICI  
Acting Director of the United States Patent and Trademark Office