



US00D444580S

(12) **United States Design Patent**
Foo

(10) **Patent No.:** **US D444,580 S**

(45) **Date of Patent:** **** Jul. 3, 2001**

(54) **FLUORESCENT TUBE**

D. 406,908 * 3/1999 Foo D26/3

D. 413,398 * 8/1999 Foo D26/3

(75) **Inventor:** **Onn Fah Foo, Kowloon (HK)**

* cited by examiner

(73) **Assignee:** **Mass Technology (H.K.) Ltd.,
Kowloon (HK)**

Primary Examiner—Marcus A. Jackson

(74) *Attorney, Agent, or Firm*—Rabin & Champagne, P.C.

(**) **Term:** **14 Years**

(57) **CLAIM**

(21) **Appl. No.:** **29/132,265**

The ornamental design for a fluorescent tube, as shown and described.

(22) **Filed:** **Nov. 7, 2000**

DESCRIPTION

(51) **LOC (7) Cl.** **26-06**

(52) **U.S. Cl.** **D26/3**

(58) **Field of Search** D26/1, 2, 3; 313/317,
313/318, 493, 497, 567, 569; 315/56, 57,
58, 73

FIG. 1 is a front view of a fluorescent tube showing my new design;

FIG. 2 is a left side view thereof;

FIG. 3 is a right side view thereof;

FIG. 4 is a rear view thereof;

FIG. 5 is a top view thereof; and,

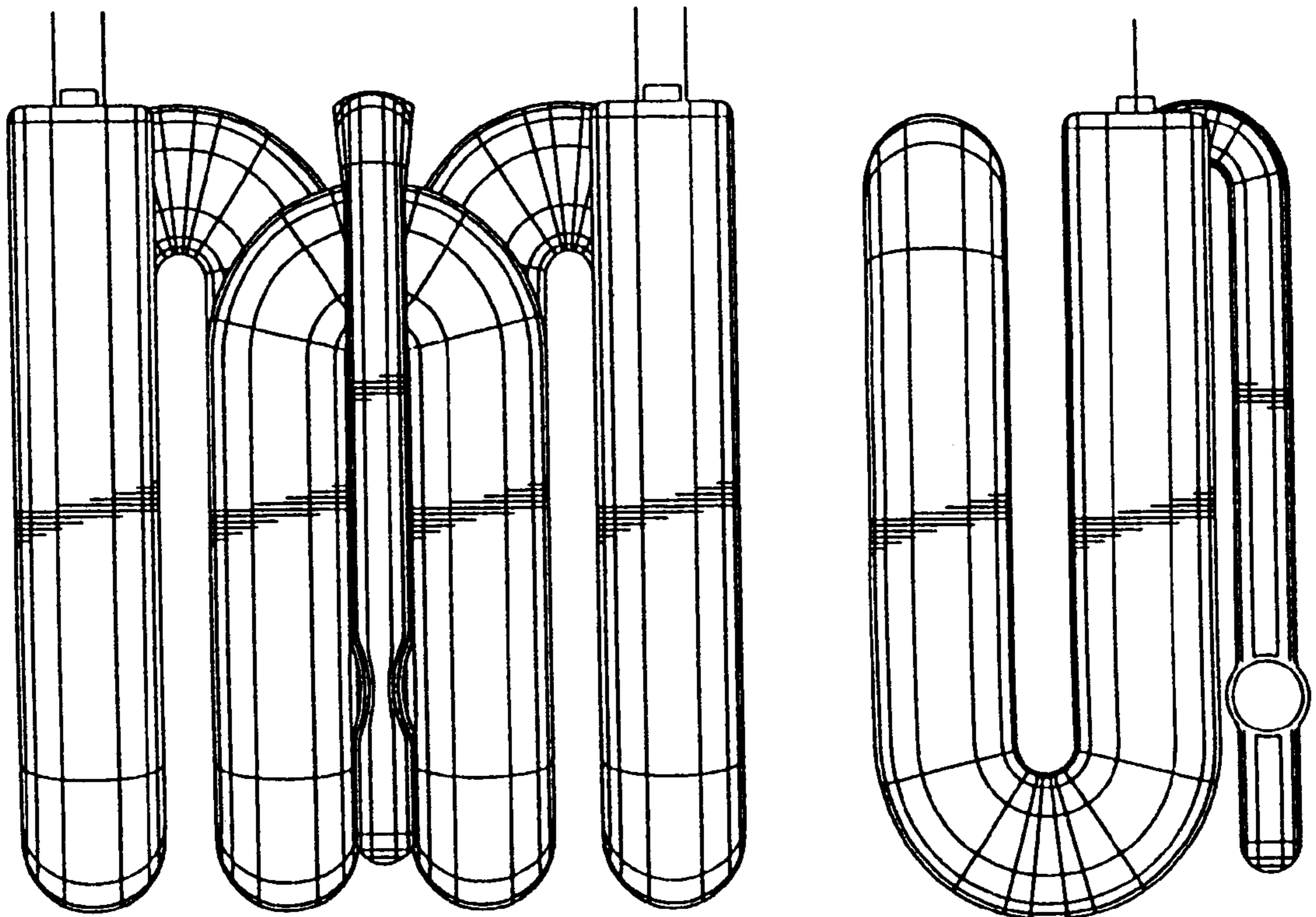
FIG. 6 is a bottom view thereof.

(56) **References Cited**

U.S. PATENT DOCUMENTS

D. 390,574 * 2/1998 Foo D26/3

1 Claim, 1 Drawing Sheet



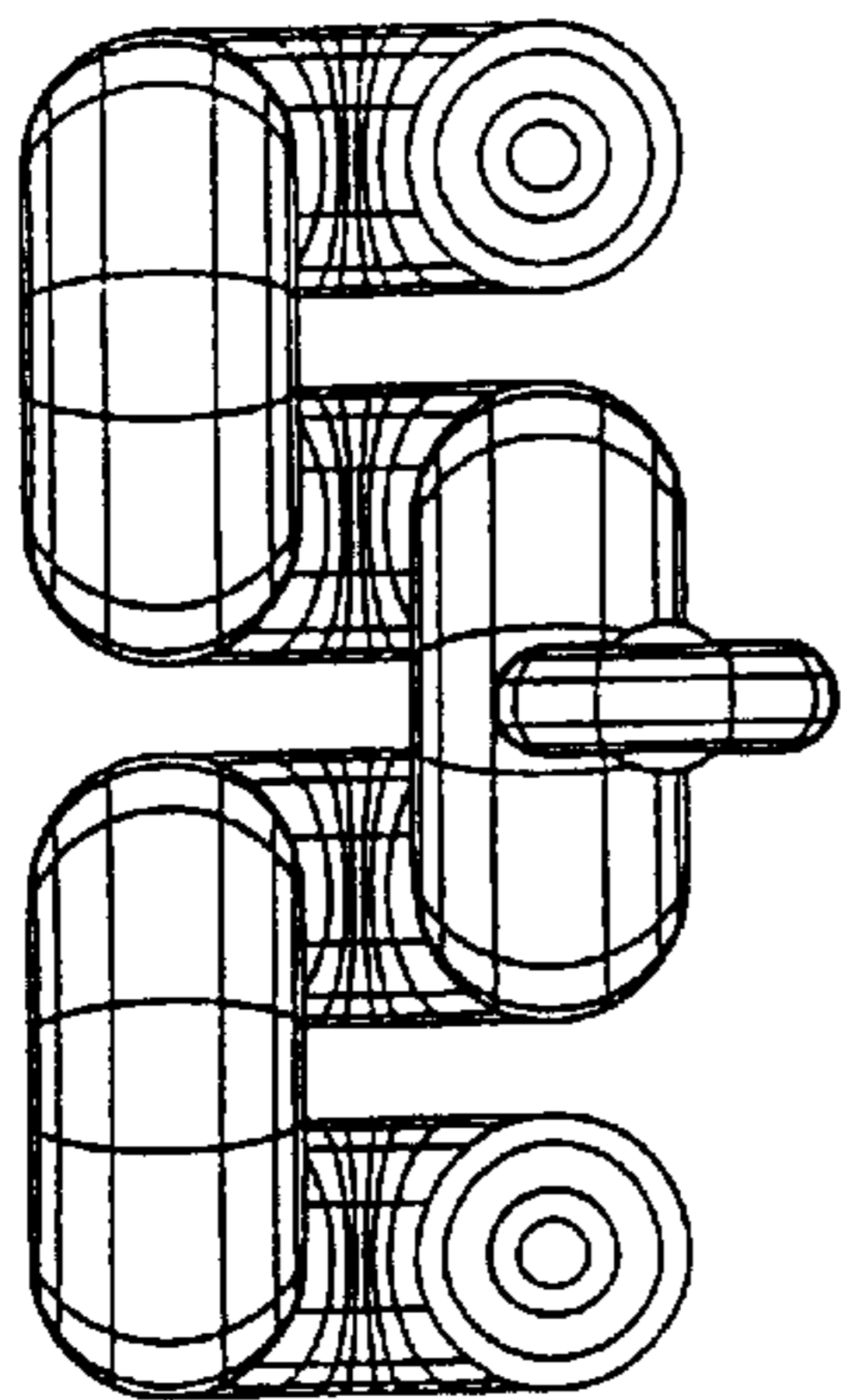


FIG. 5

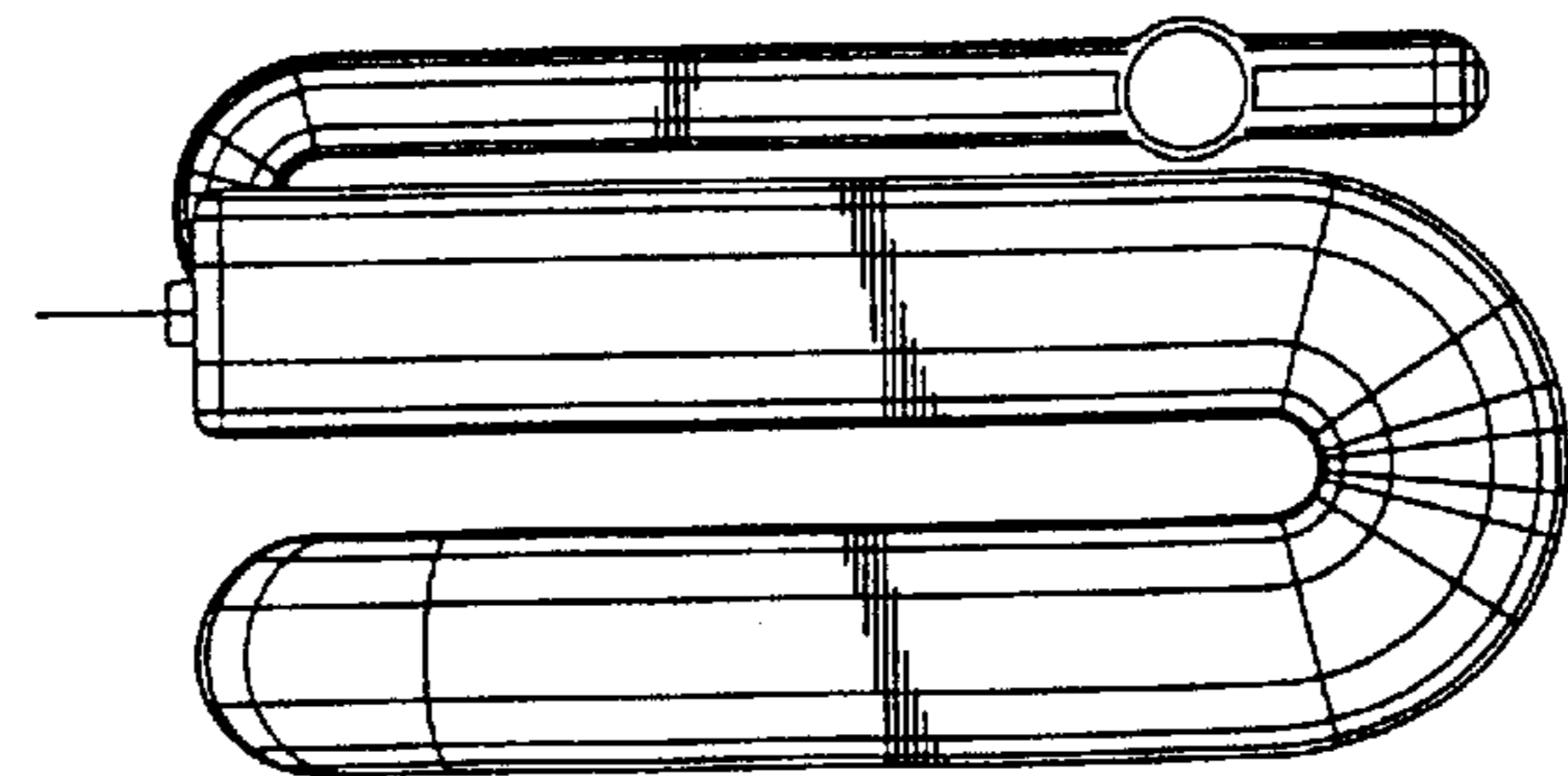


FIG. 2

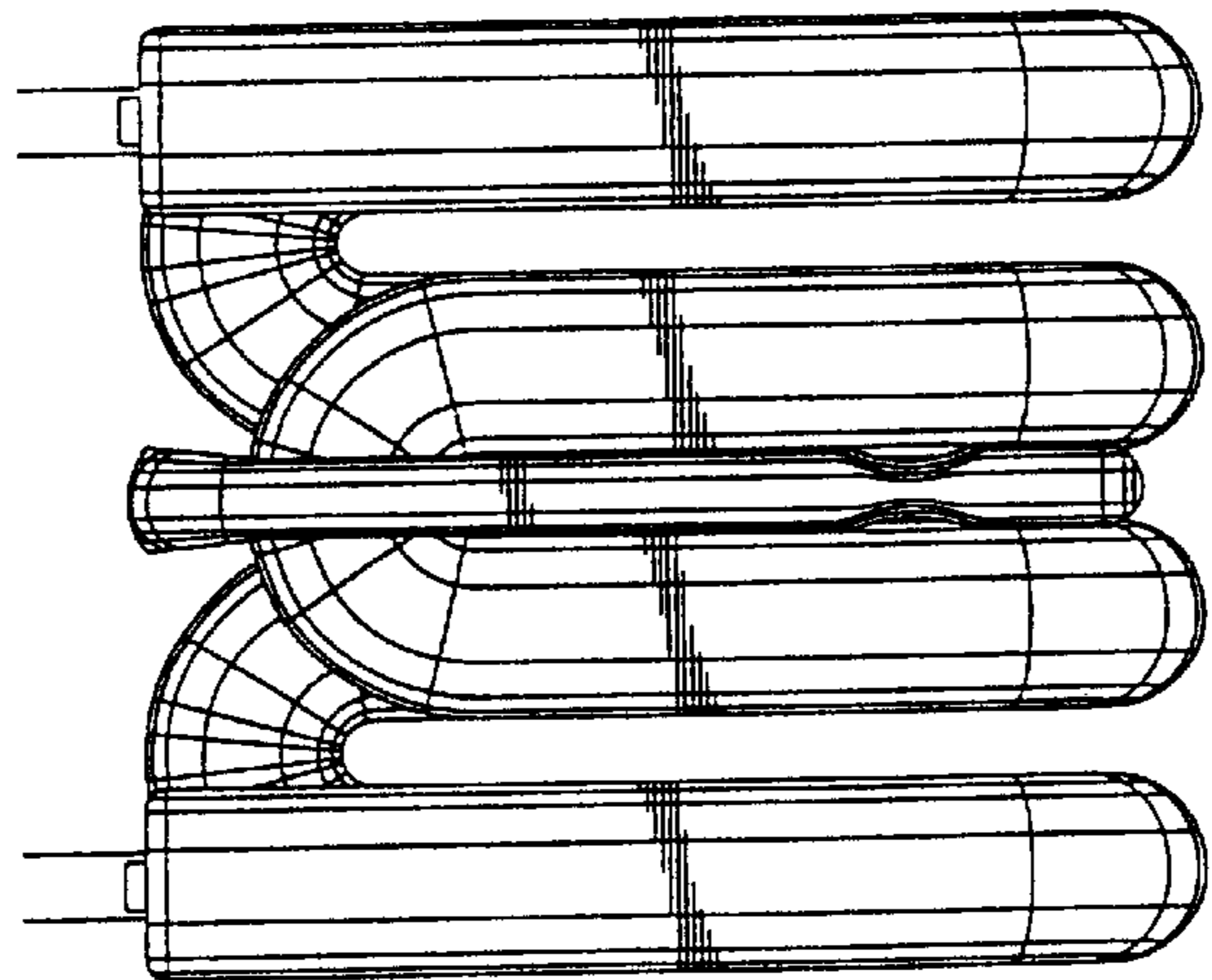


FIG. 1

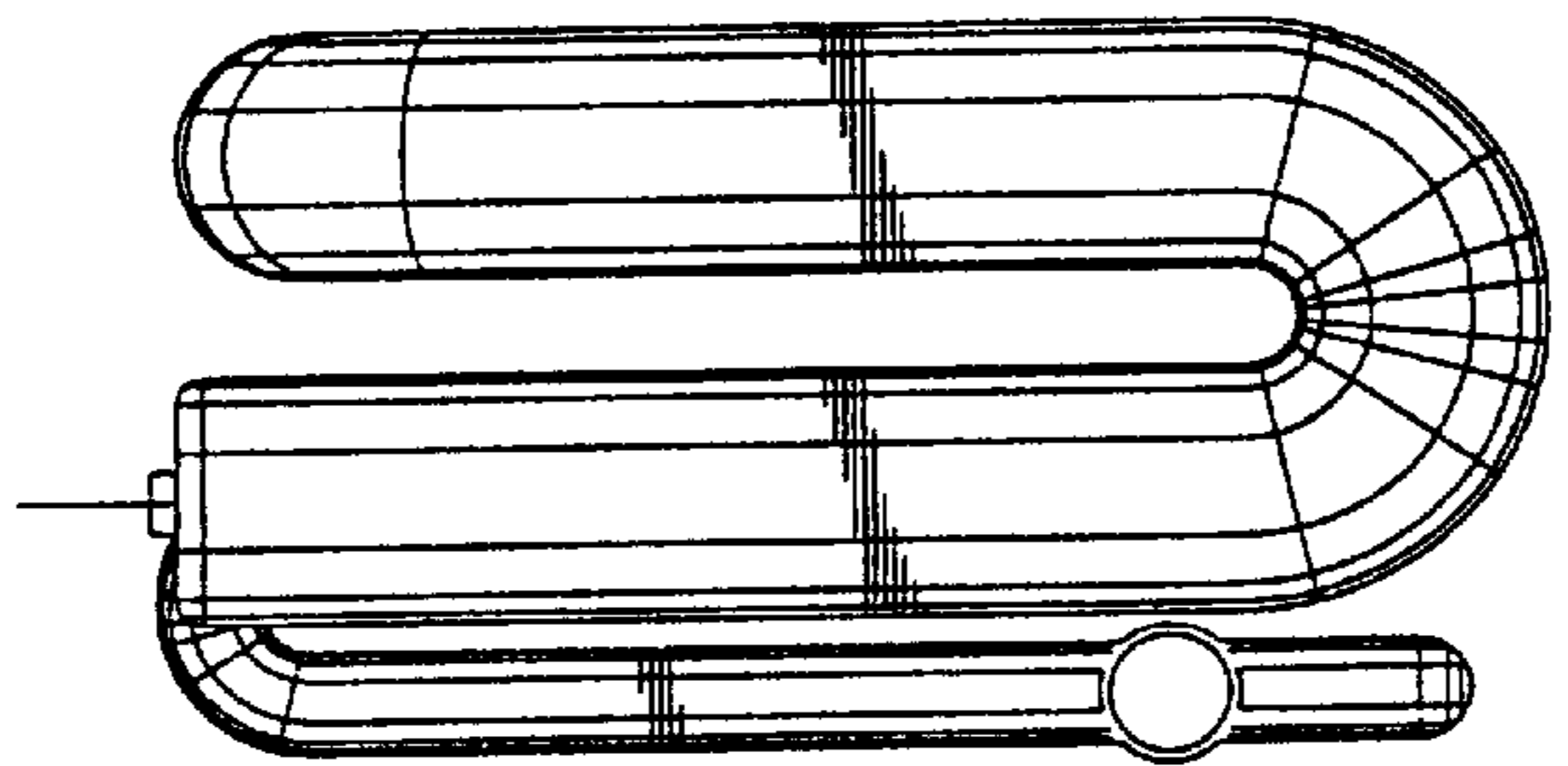


FIG. 3

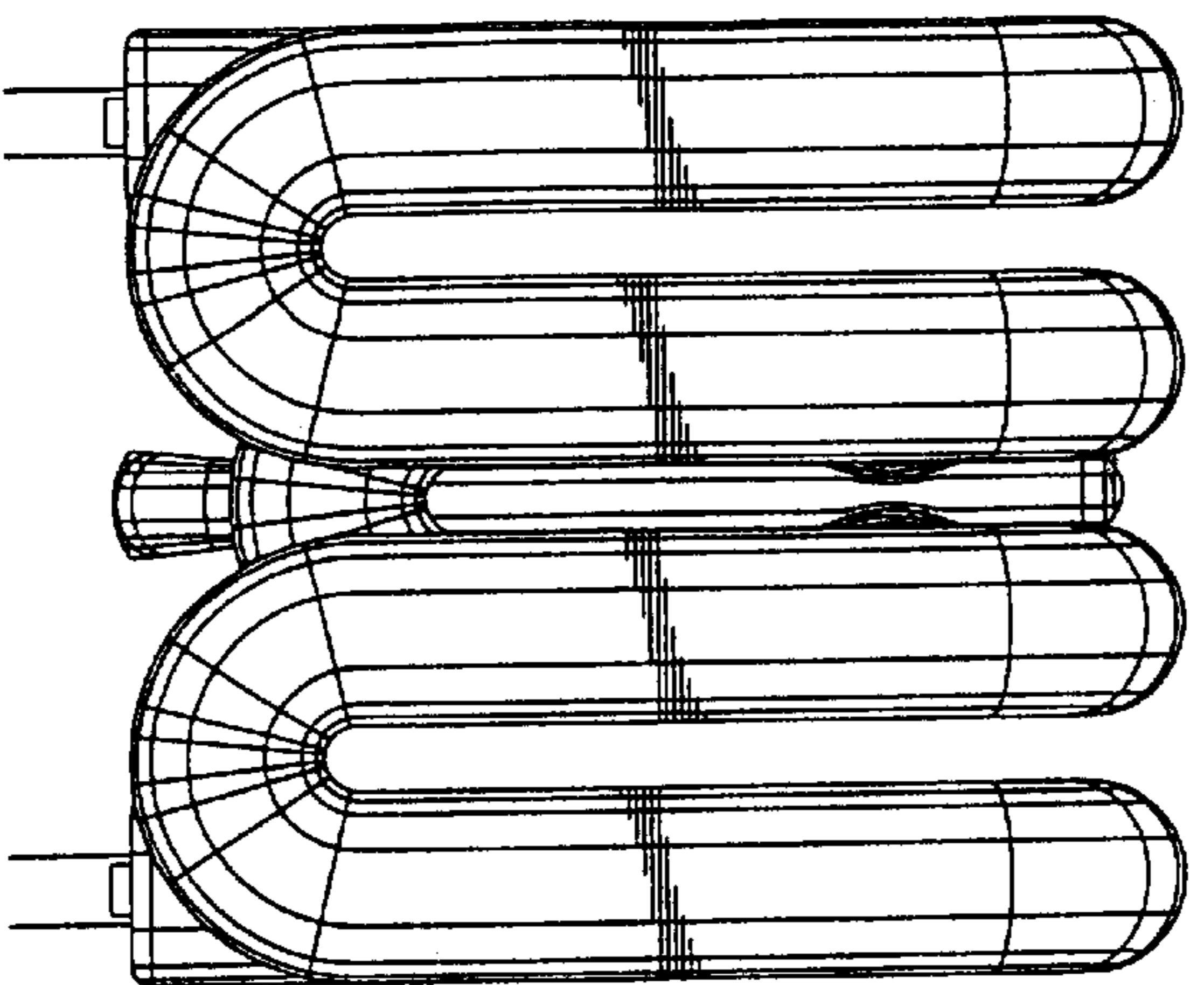


FIG. 4

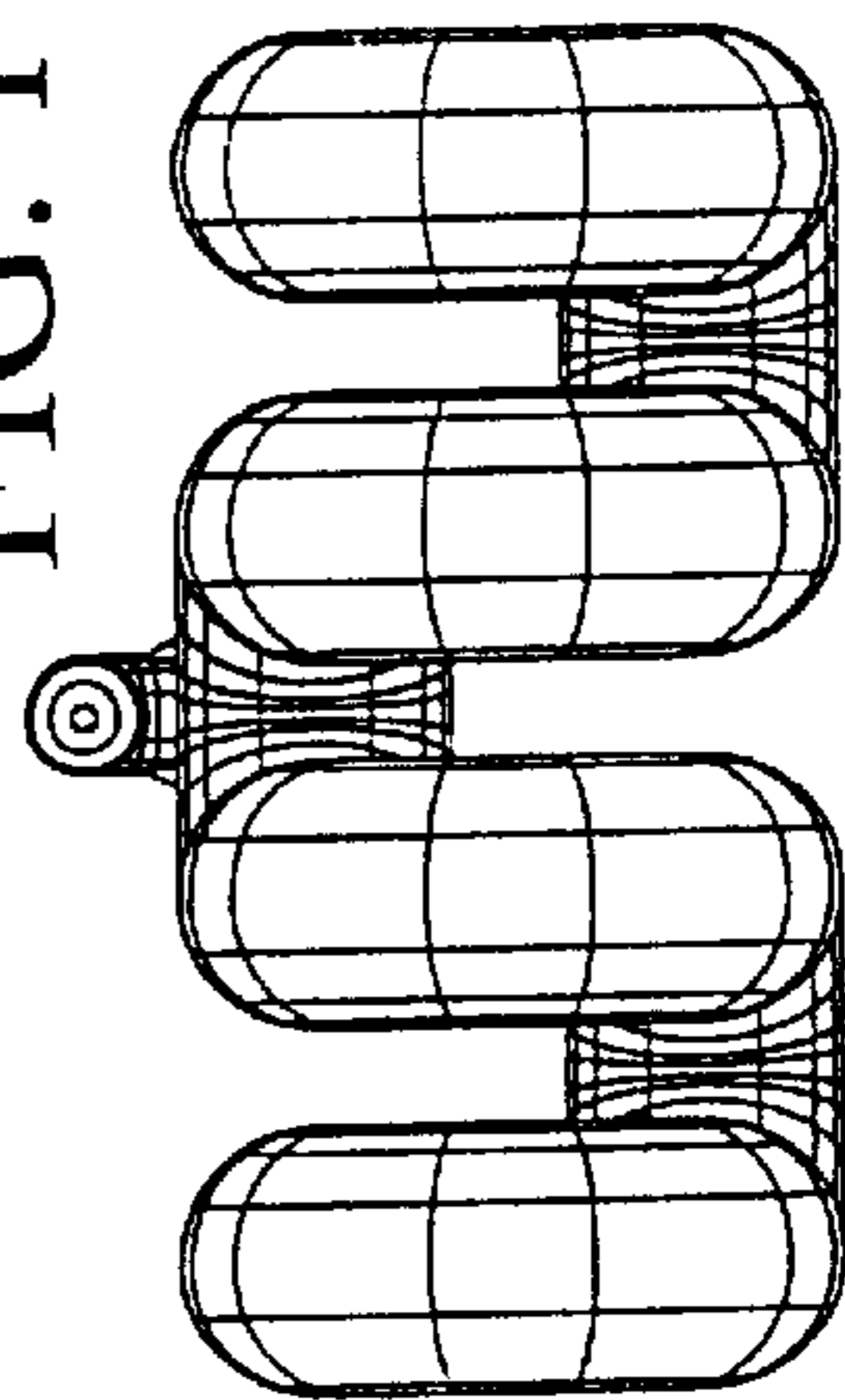


FIG. 6