



US00D444579S

(12) **United States Design Patent**
Emalfarb

(10) **Patent No.: US D444,579 S**

(45) **Date of Patent: ** Jul. 3, 2001**

(54) **LAWN EDGING PANEL**

(76) Inventor: **Bradley Emalfarb**, 763 Bunker Ct.,
Riverwoods, IL (US) 60015

(**) Term: **14 Years**

(21) Appl. No.: **29/123,235**

(22) Filed: **May 15, 2000**

(51) **LOC (7) Cl. 25-01**

(52) **U.S. Cl. D25/164**

(58) **Field of Search D25/164; 47/33,**
47/44, 47; 52/102

(56) **References Cited**

U.S. PATENT DOCUMENTS

D. 332,132	12/1992	Corcoran .	
D. 336,220	6/1993	Grimes .	
D. 353,213	12/1994	Reum .	
3,933,311 *	1/1976	Lemelson	47/33
4,644,685	2/1987	Tisbo et al. .	
4,761,923	8/1988	Reum et al. .	
4,858,378	8/1989	Helmy .	
4,986,042	1/1991	Richardt .	
5,020,272	6/1991	Herrema et al. .	
5,027,551	7/1991	Rodriguez .	
5,048,241	9/1991	Gavin, Jr. .	

(List continued on next page.)

Primary Examiner—Doris Clark

(74) *Attorney, Agent, or Firm*—Wood, Phillips, VanSanten,
Clark & Mortimer

(57) **CLAIM**

The ornamental design for lawn edging panel, as shown and described.

DESCRIPTION

FIG. 1 is a top, side, and end perspective view of one embodiment of my design for lawn edging panel;

FIG. 2 is an elevational view thereof from the same side as in FIG. 1;

FIG. 3 is an elevational view thereof from the side opposite that in FIG. 2;

FIG. 4 is an elevational view thereof from the end of FIG. 1;

FIG. 5 is an elevational view thereof from the end opposite that in FIG. 4;

FIG. 6 is a top plan view thereof;

FIG. 7 is a bottom view thereof;

FIG. 8 is a top, side, and end perspective view of a second embodiment of my design for lawn edging panel;

FIG. 9 is an elevational view thereof from the same side as in FIG. 8;

FIG. 10 is an elevational view thereof from the side opposite that in FIG. 9;

FIG. 11 is an elevational view thereof from the end of FIG. 8;

FIG. 12 is an elevational view thereof from the end opposite that in FIG. 11;

FIG. 13 is a top plan view thereof;

FIG. 14 is a bottom view thereof;

FIG. 15 is a top, side, and end perspective view of a third embodiment of my design for lawn edging panel;

FIG. 16 is an elevational view thereof from the same side as in FIG. 15;

FIG. 17 is an elevational view thereof from the side opposite that in FIG. 16;

FIG. 18 is an elevational view thereof from the end of FIG. 15;

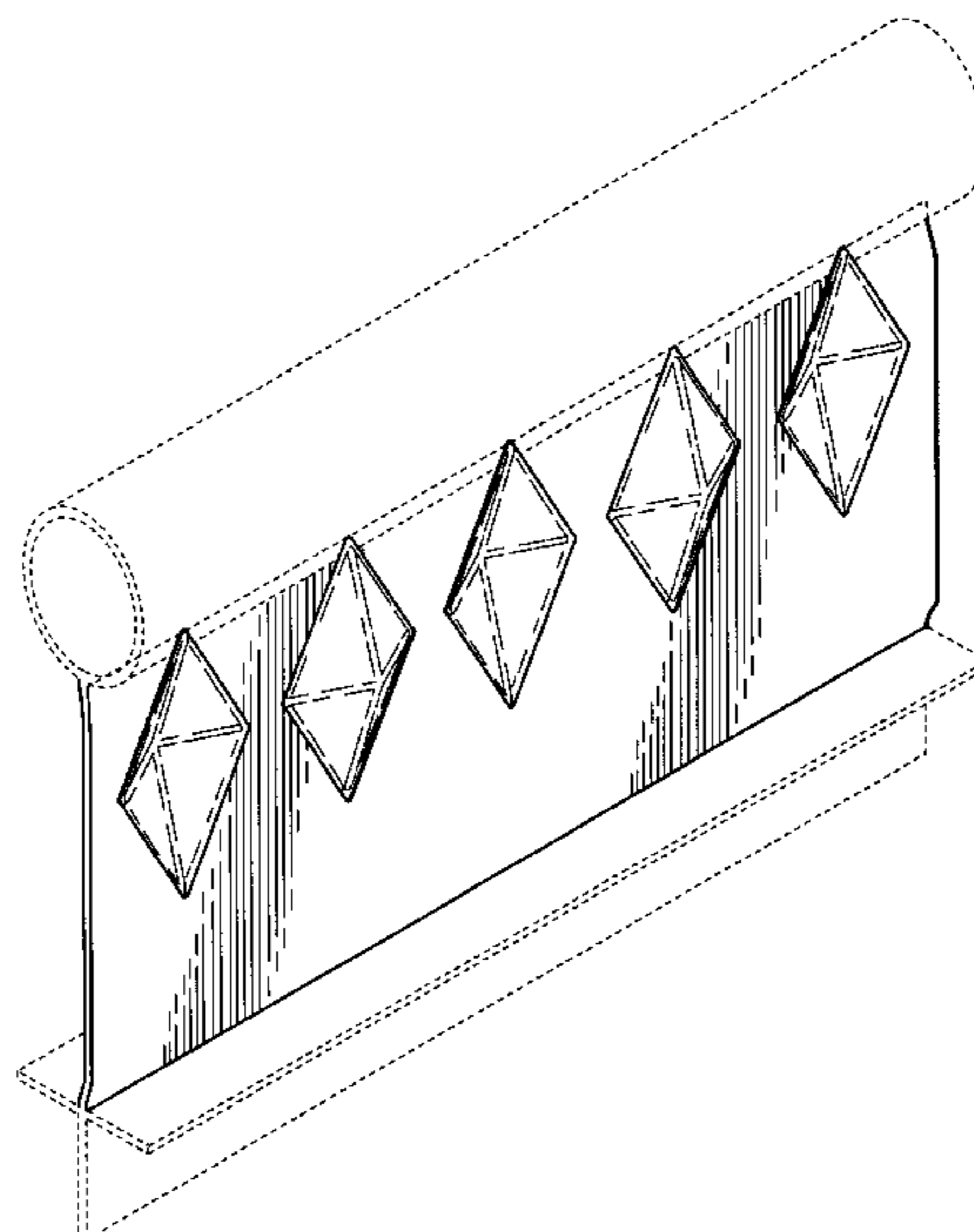
FIG. 19 is an elevational view thereof from the end opposite that in FIG. 18;

FIG. 20 is a top plan view thereof; and,

FIG. 21 is a bottom view thereof.

The portions of the drawings shown in dotted lines do not form a part of the claimed design.

1 Claim, 9 Drawing Sheets



US D444,579 S

Page 2

U.S. PATENT DOCUMENTS

5,102,048	4/1992	Bohnhoff .	5,205,090	4/1993	Lavery .
5,134,817	8/1992	Richardt .	5,438,804	8/1995	Reum et al. .
5,142,818	9/1992	Weigert .	5,442,877	8/1995	Lindhal .
5,157,867	10/1992	Fritch .	5,501,036	3/1996	Torp, Jr. et al. .
5,168,678	12/1992	Scott, Jr. et al. .	5,519,970	5/1996	Reum et al. .
5,174,500	12/1992	Yianilos .	5,526,606	6/1996	Beladakis .
5,201,154	4/1993	Thomas .	5,588,262	12/1996	Dawson .

* cited by examiner

Fig. 1

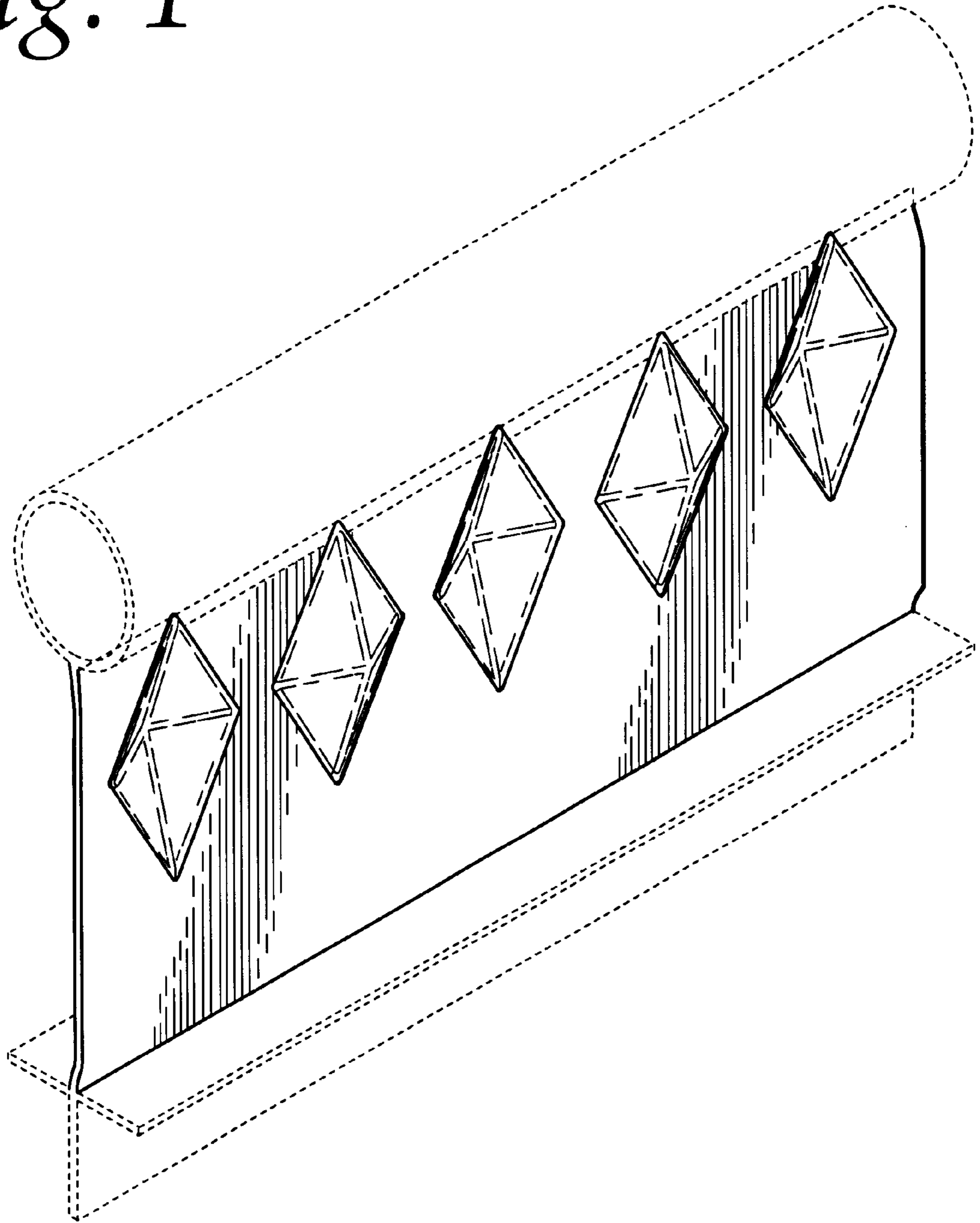


Fig. 2

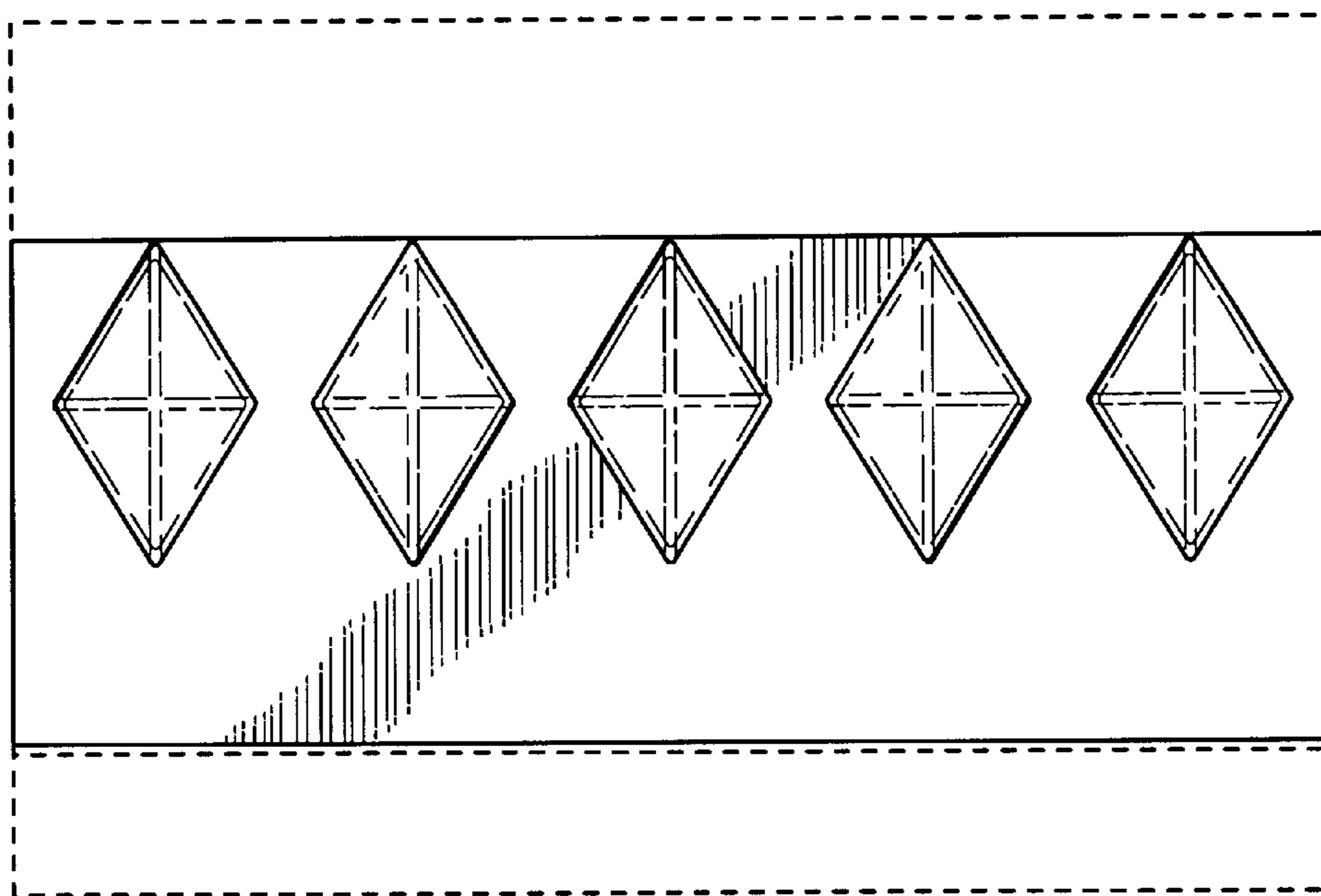


Fig. 3

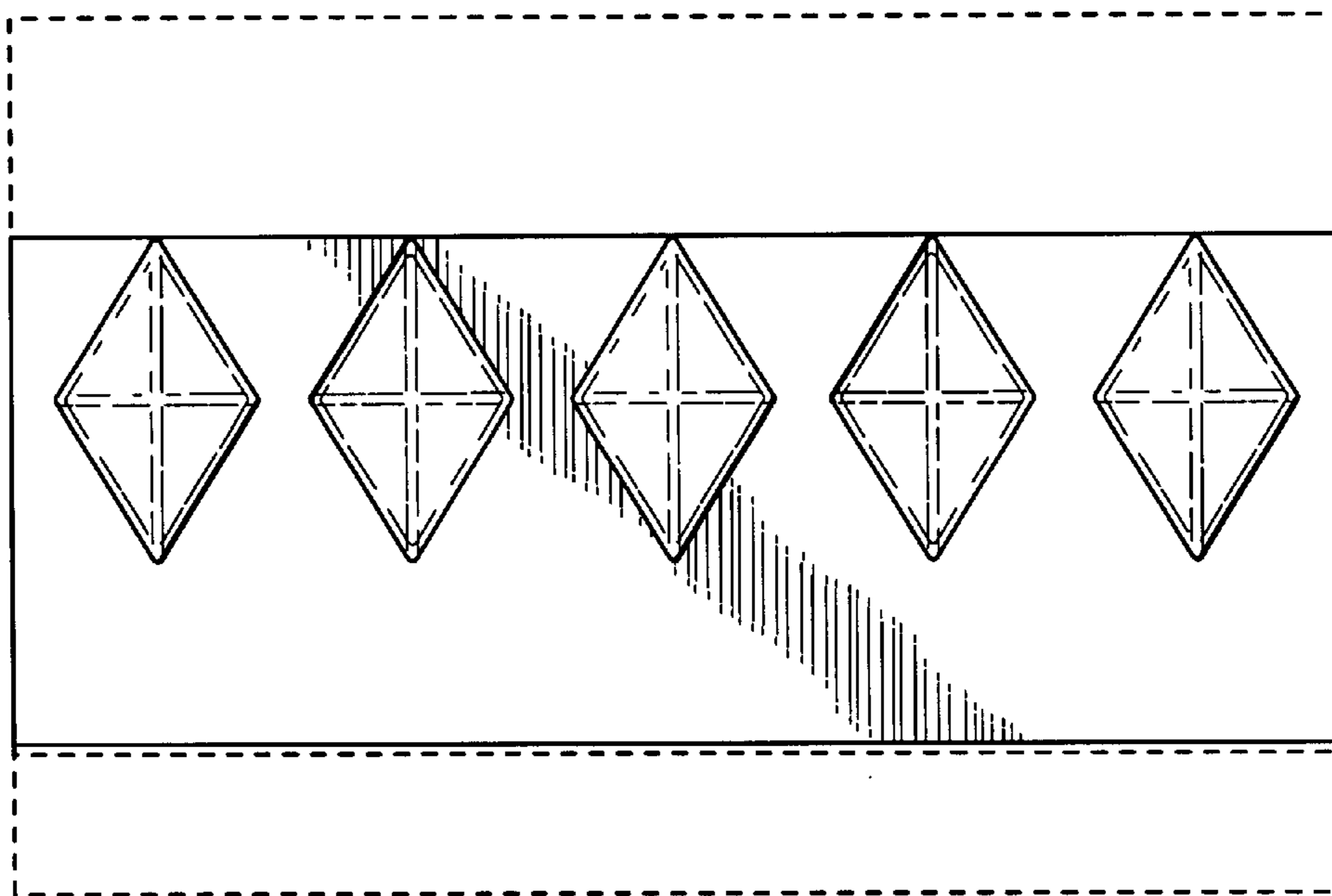


Fig. 4

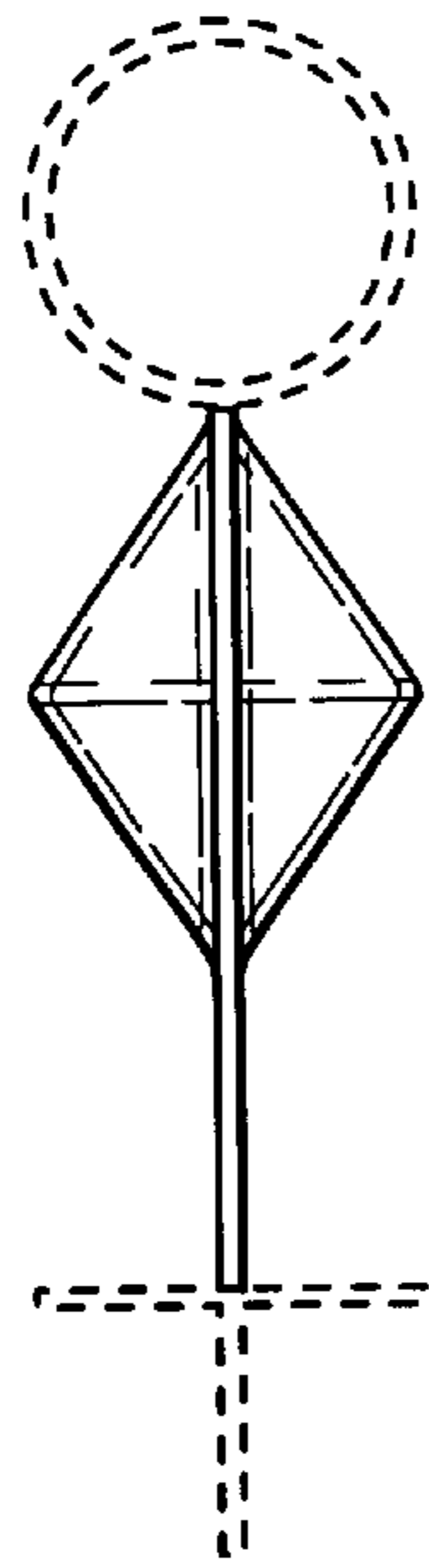


Fig. 5

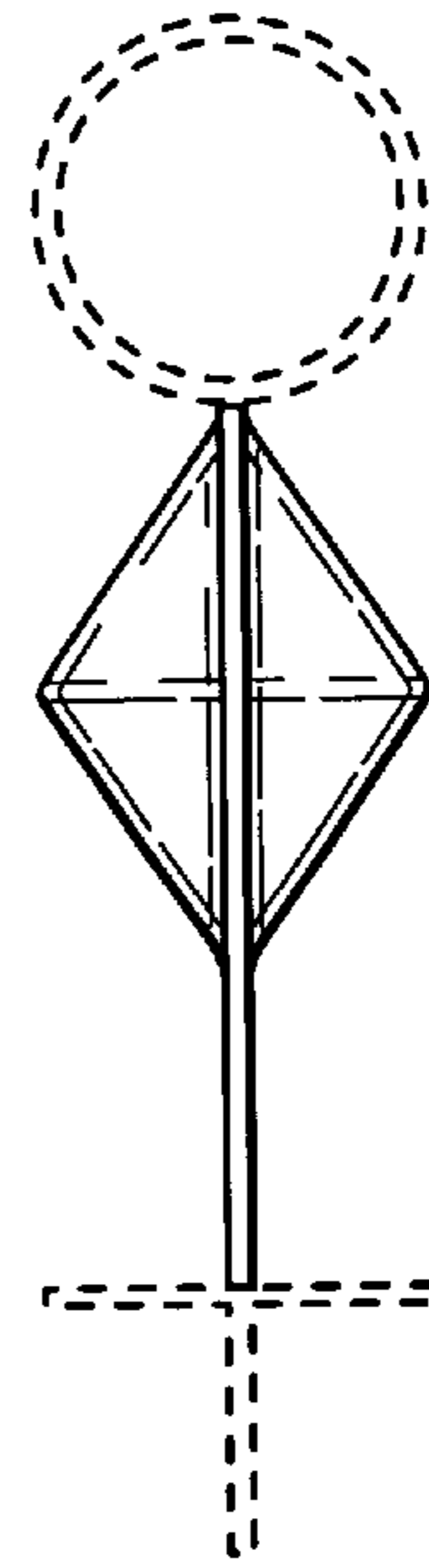


Fig. 6

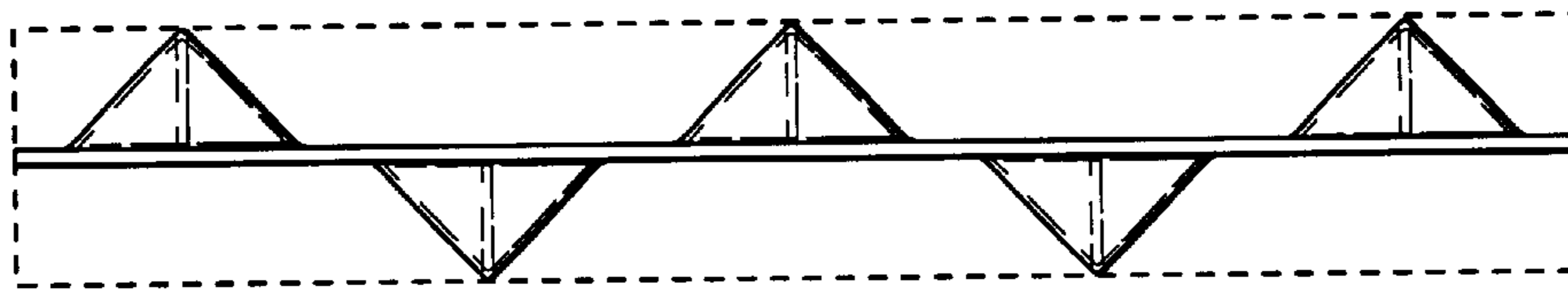


Fig. 7

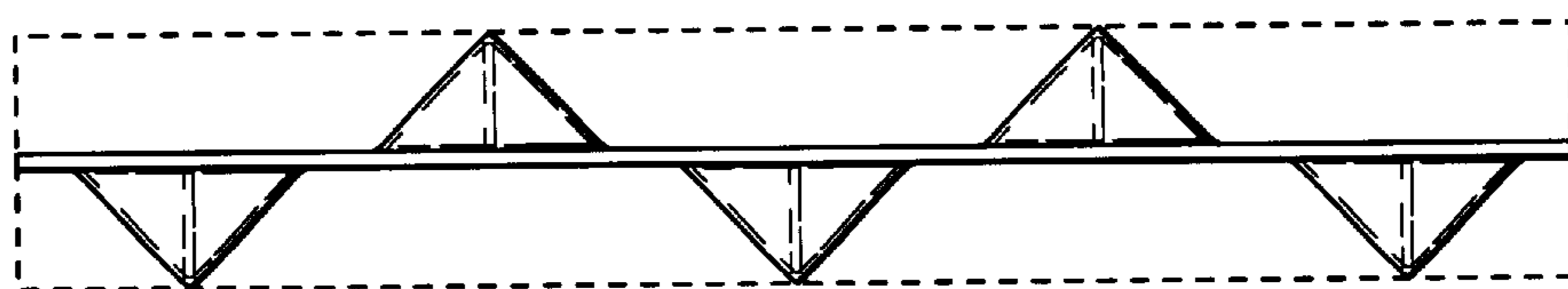


Fig. 8

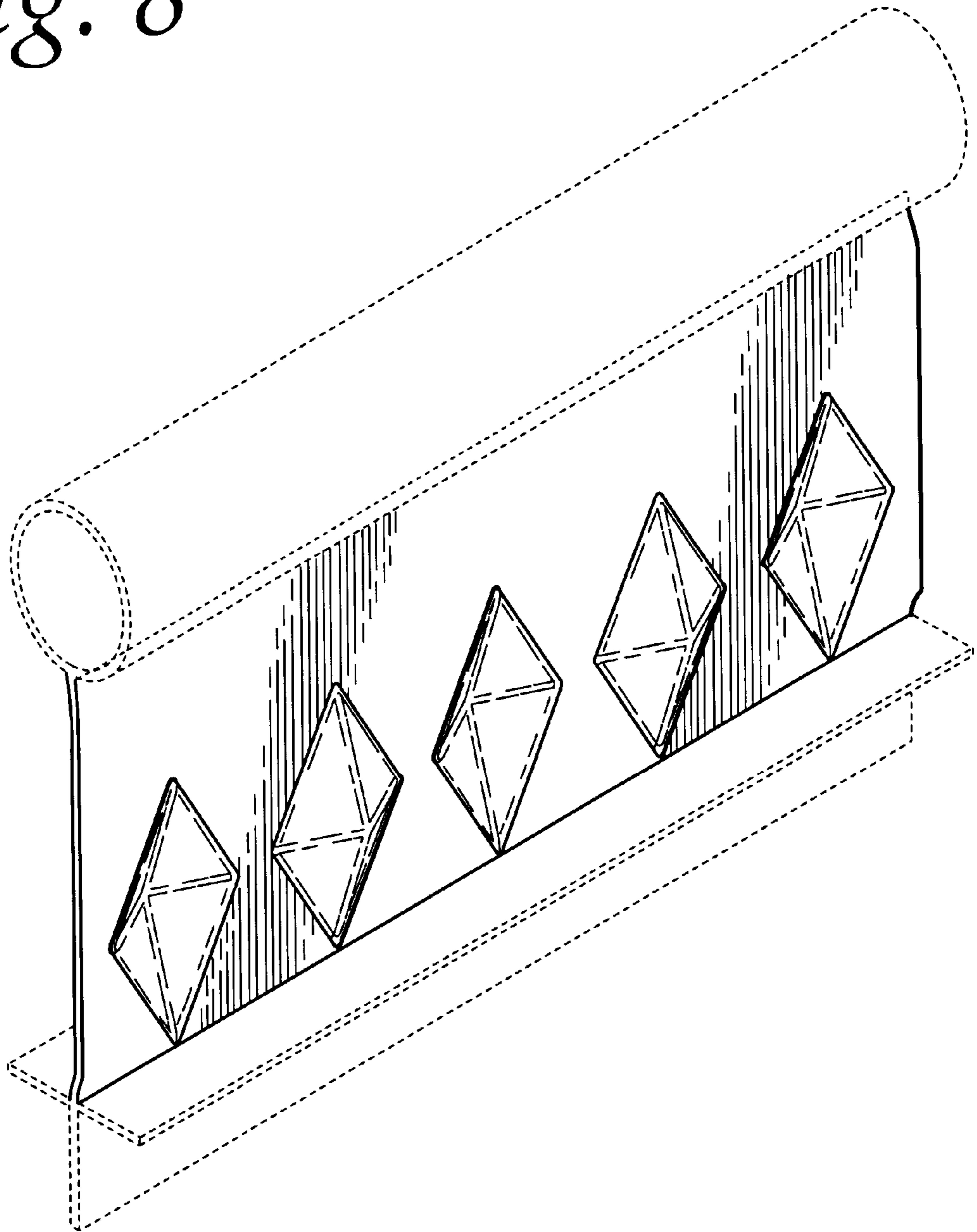


Fig. 9

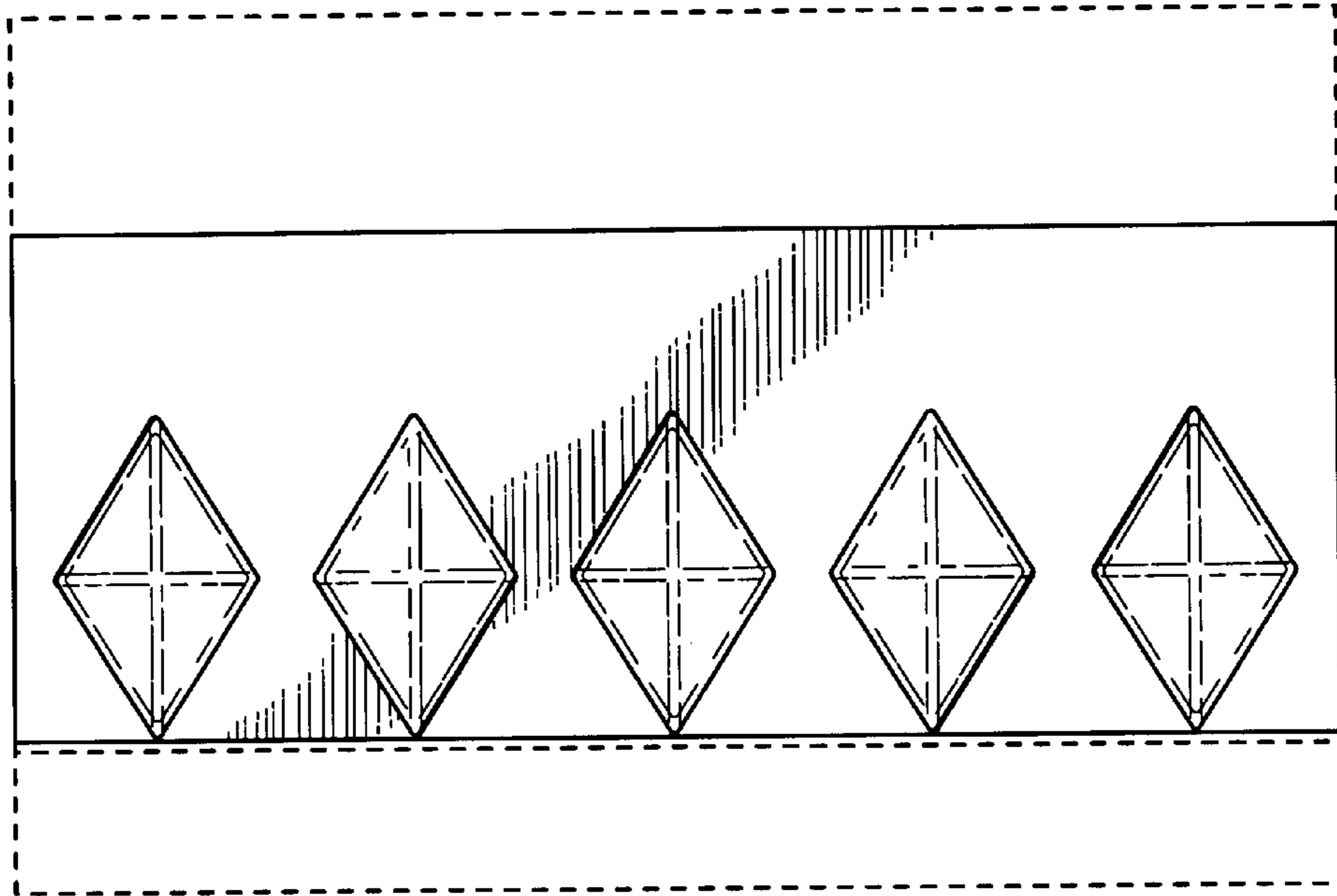


Fig. 10

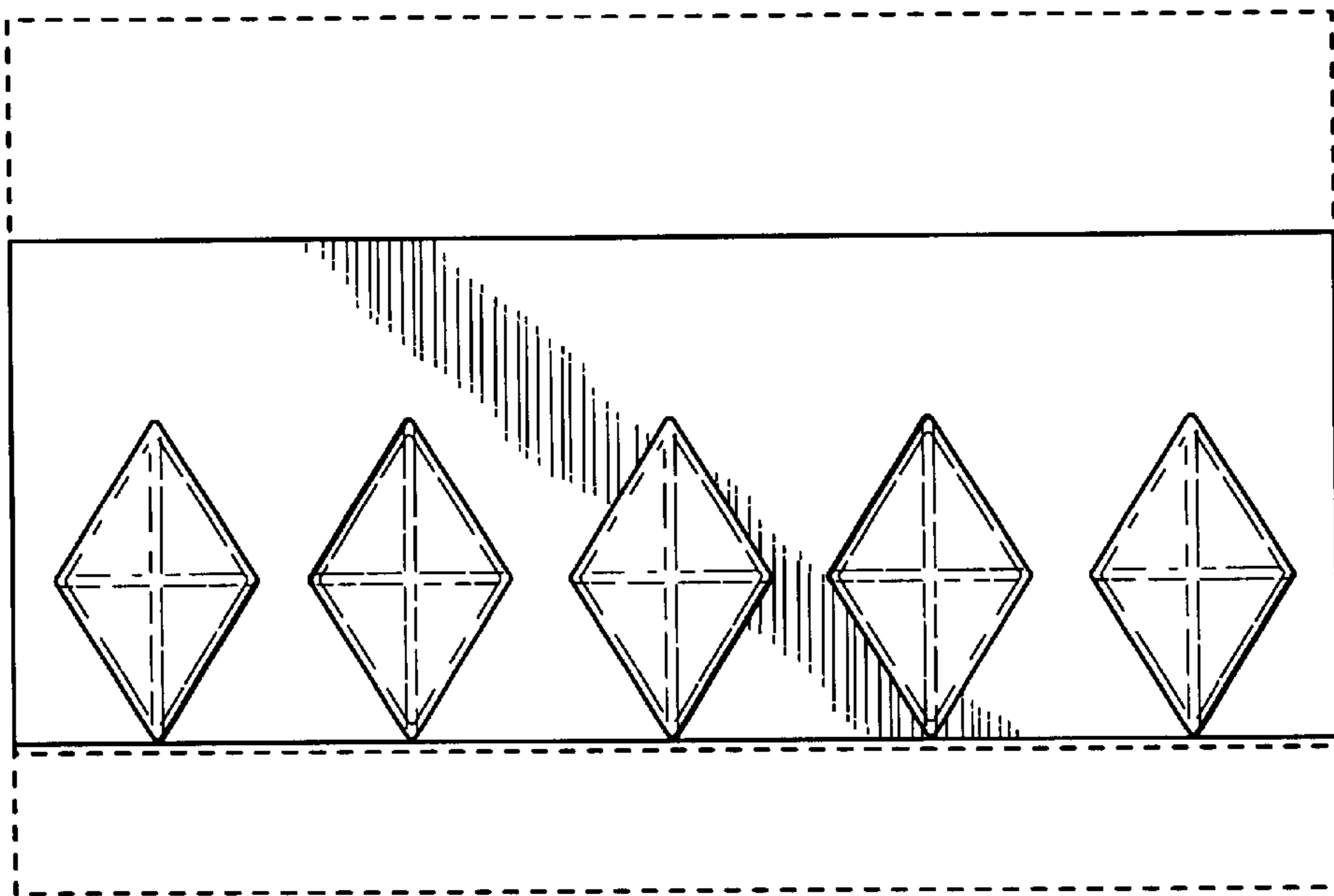


Fig. 11

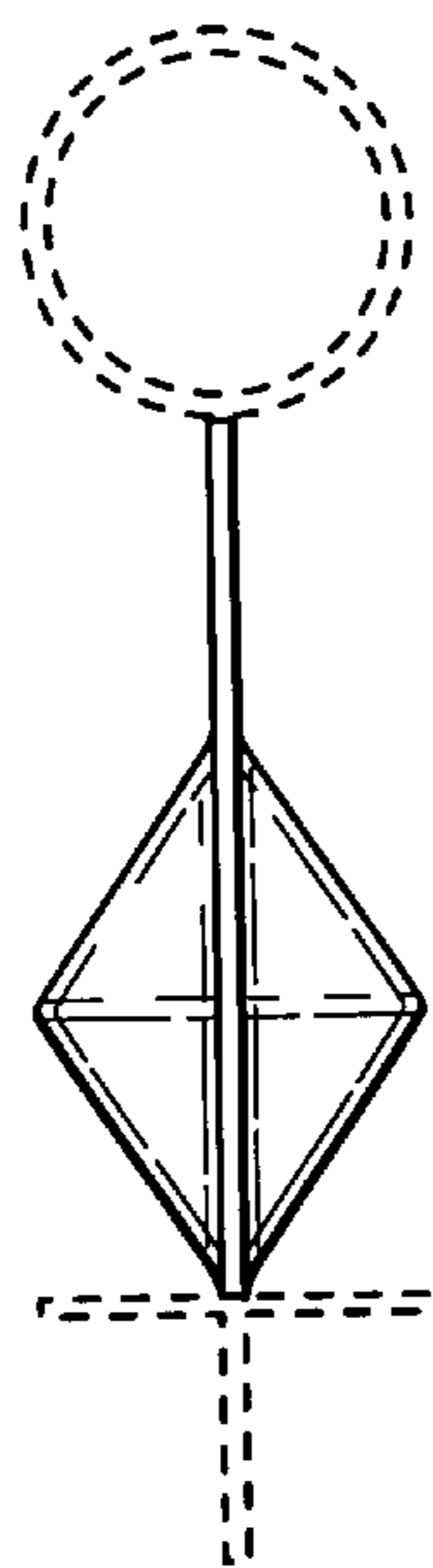


Fig. 12

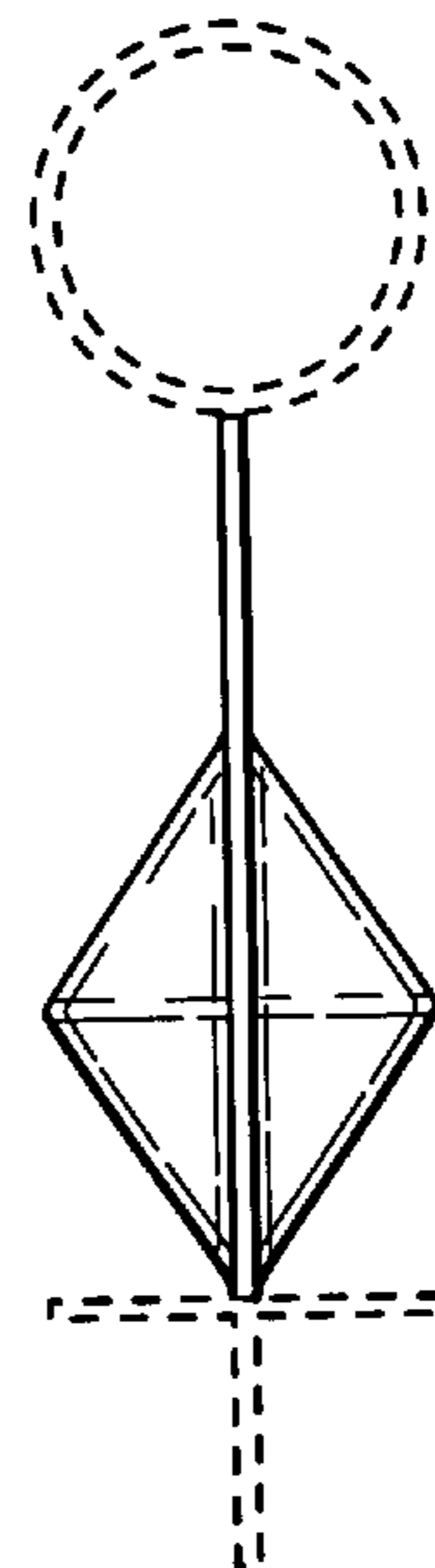


Fig. 13

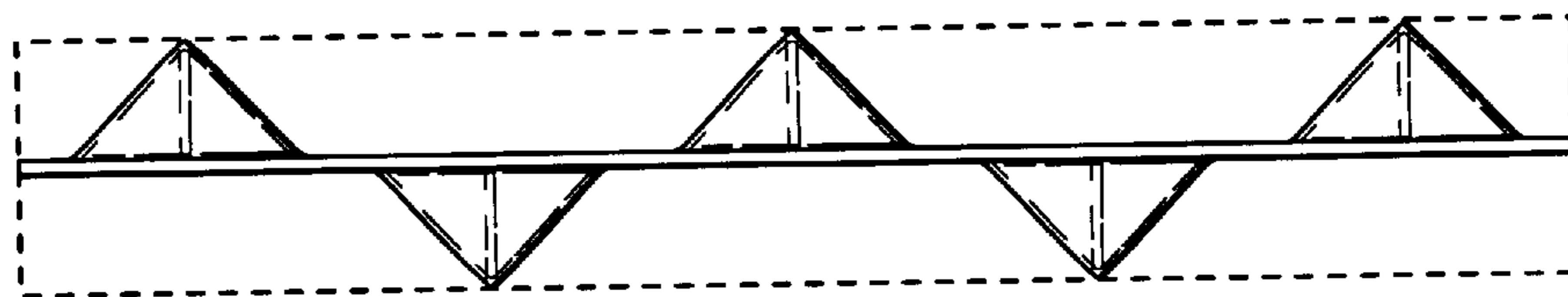


Fig. 14

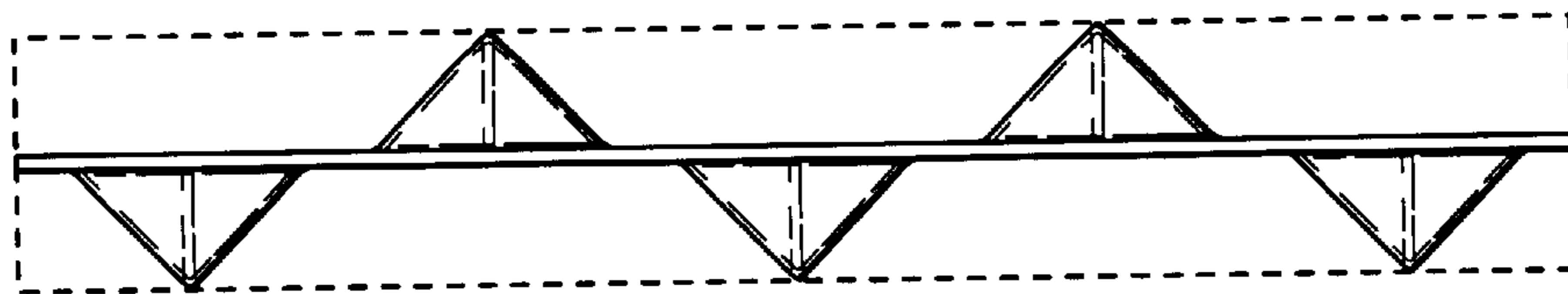


Fig. 15

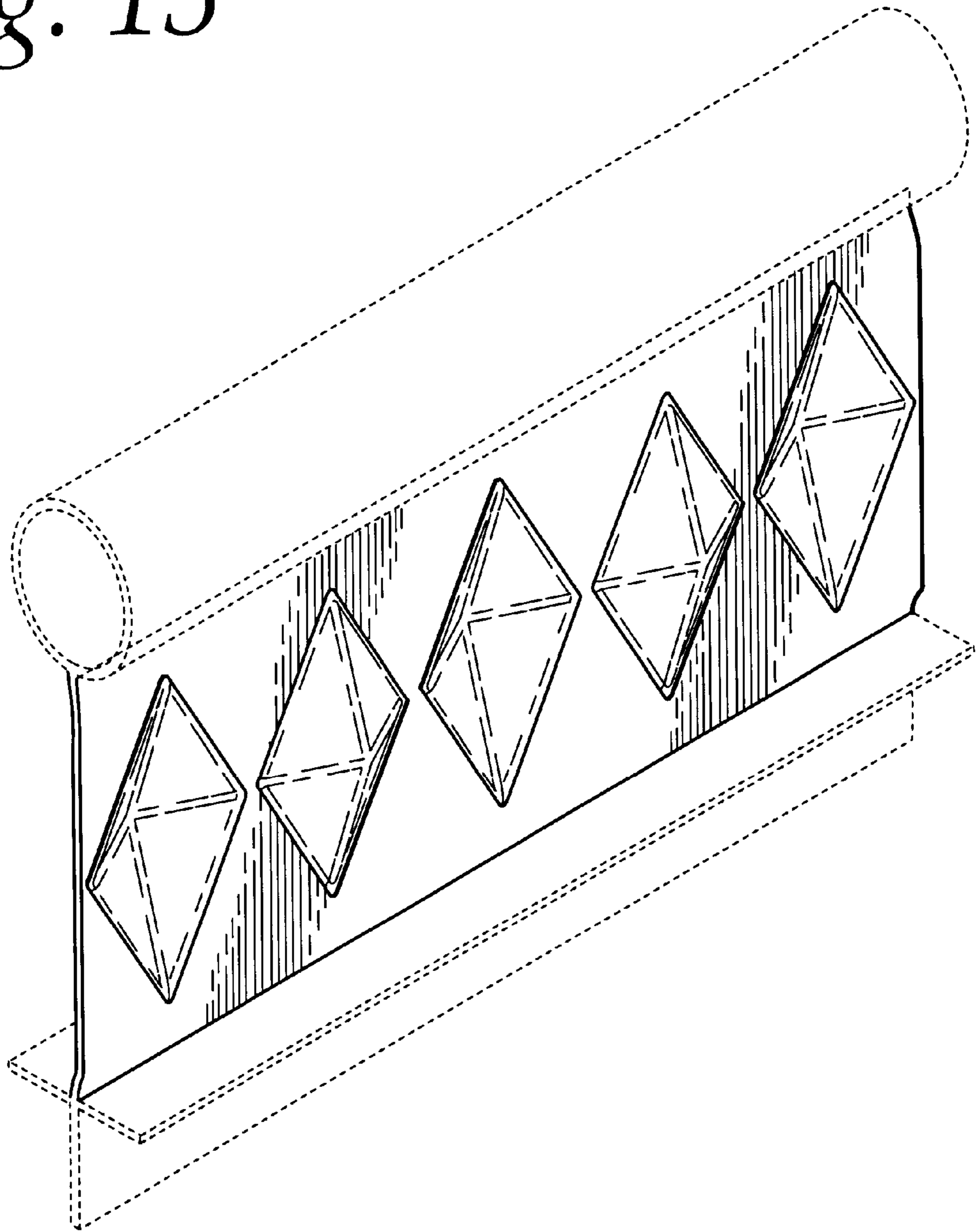


Fig. 16

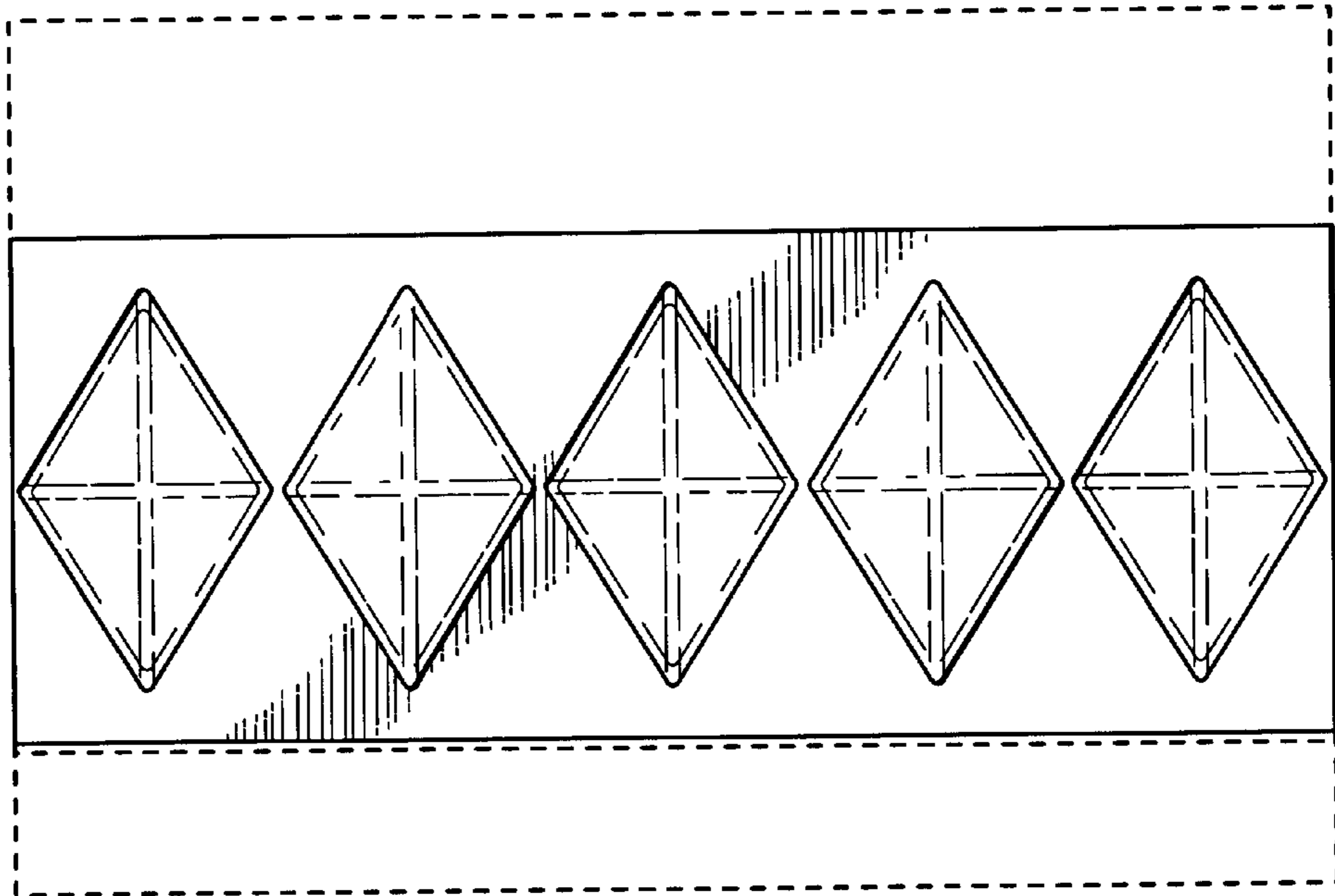


Fig. 17

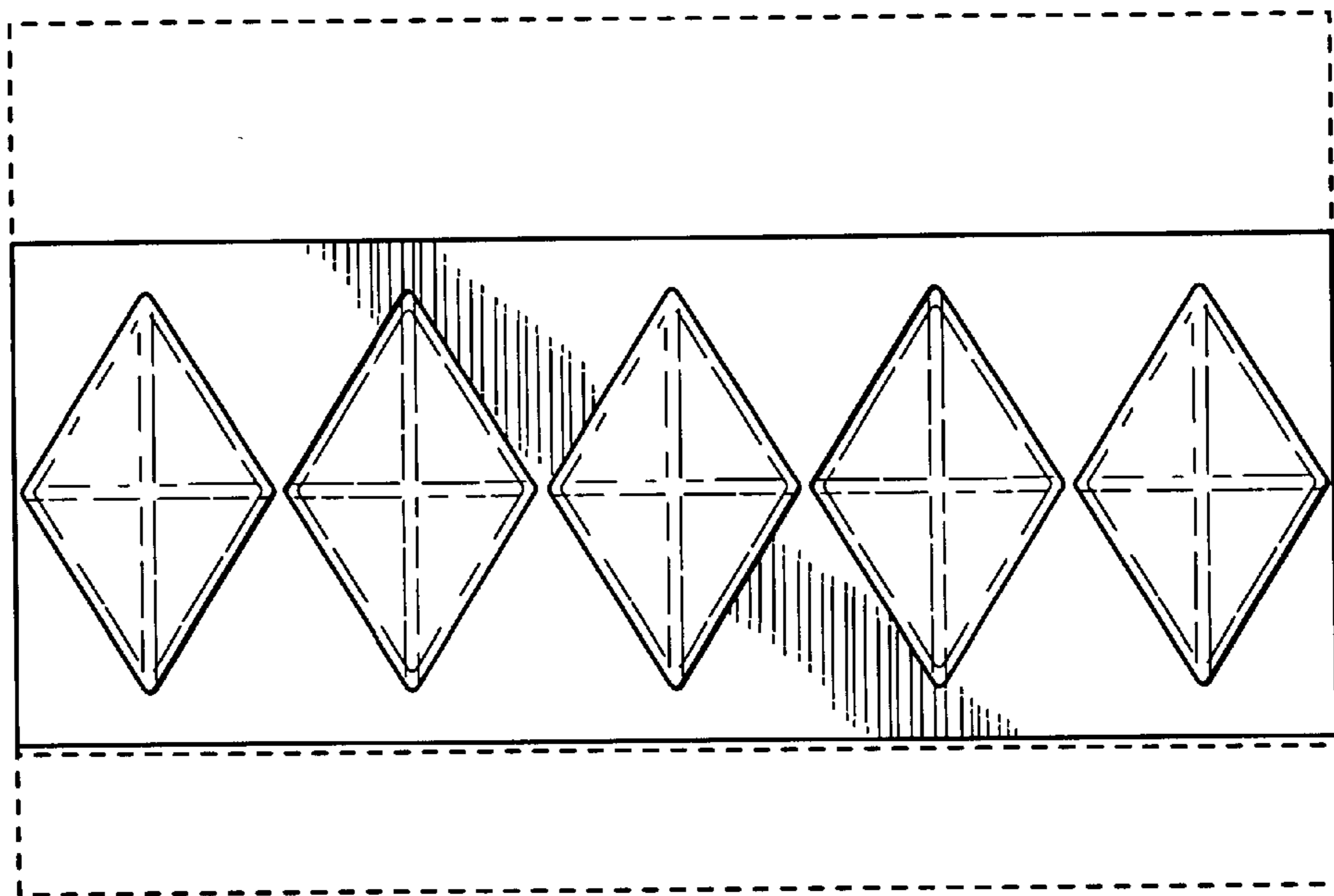


Fig. 18

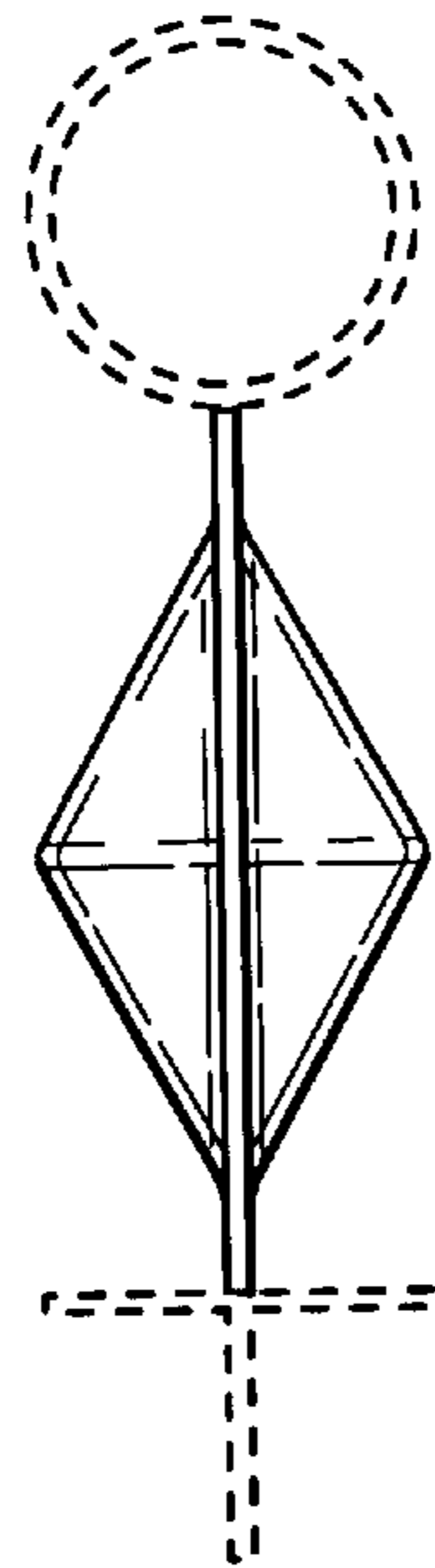


Fig. 19

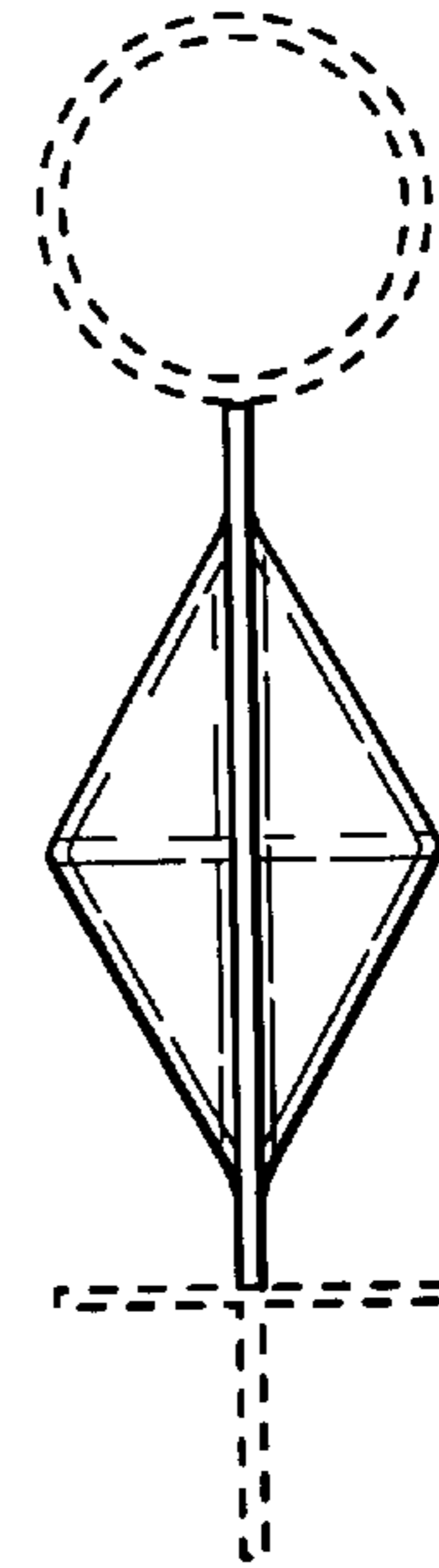


Fig. 20

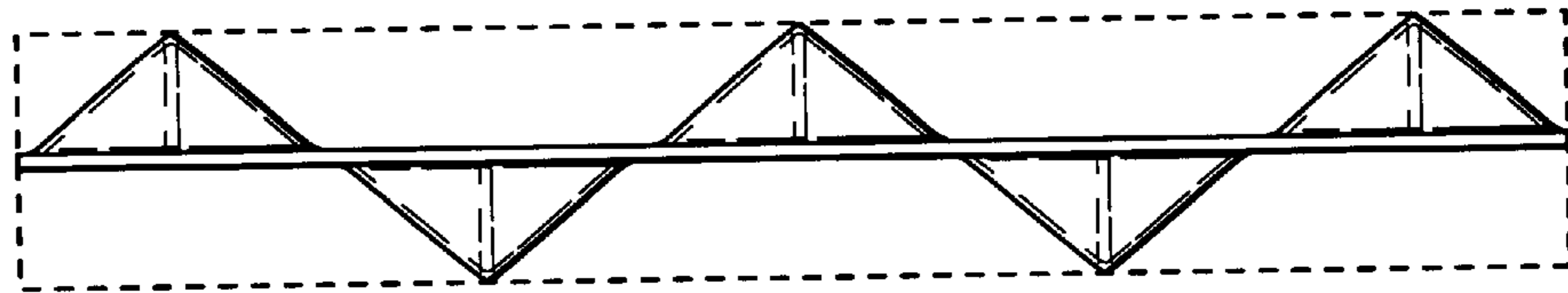


Fig. 21

