



US00D444576S

(12) **United States Design Patent**
Ballard et al.

(10) **Patent No.:** **US D444,576 S**

(45) **Date of Patent:** **** Jul. 3, 2001**

(54) **WINDOW FRAME EXTRUSION**

D. 407,505 * 3/1999 Hersh et al. D25/124

(75) Inventors: **Christopher R. Ballard; Jonathan C. Hauberg**, both of **Beavercreek**; **Philip G. Morton**, **Germantown**, all of **OH (US)**

* cited by examiner

Primary Examiner—Doris Clark

(73) Assignee: **Dayton Technologies, Inc.**, **Monroe, OH (US)**

(74) *Attorney, Agent, or Firm*—Jacox, Meckstroth & Jenkins

(**) Term: **14 Years**

(57) **CLAIM**

(21) Appl. No.: **29/122,733**

The ornamental design of a window frame extrusion, as shown and described.

(22) Filed: **May 2, 2000**

DESCRIPTION

(51) **LOC (7) Cl.** **25-01**

(52) **U.S. Cl.** **D25/124**

(58) **Field of Search** D25/52, 60, 119–125; 49/DIG. 2, 504, 505, 404, 413, 419, 407–408; 52/204.56, 204.51, 230.3, 205.1, 202, 730.5, 731, 732, 738, 204.5

FIG. 1 is a front perspective view of a window frame extrusion, showing our new design, with a middle portion broken away to disclose indefinite length; and,

FIG. 2 is an end view thereof, the opposite end view being a mirror image.

(56) **References Cited**

U.S. PATENT DOCUMENTS

D. 406,655 * 3/1999 Morton et al. D25/124

1 Claim, 2 Drawing Sheets

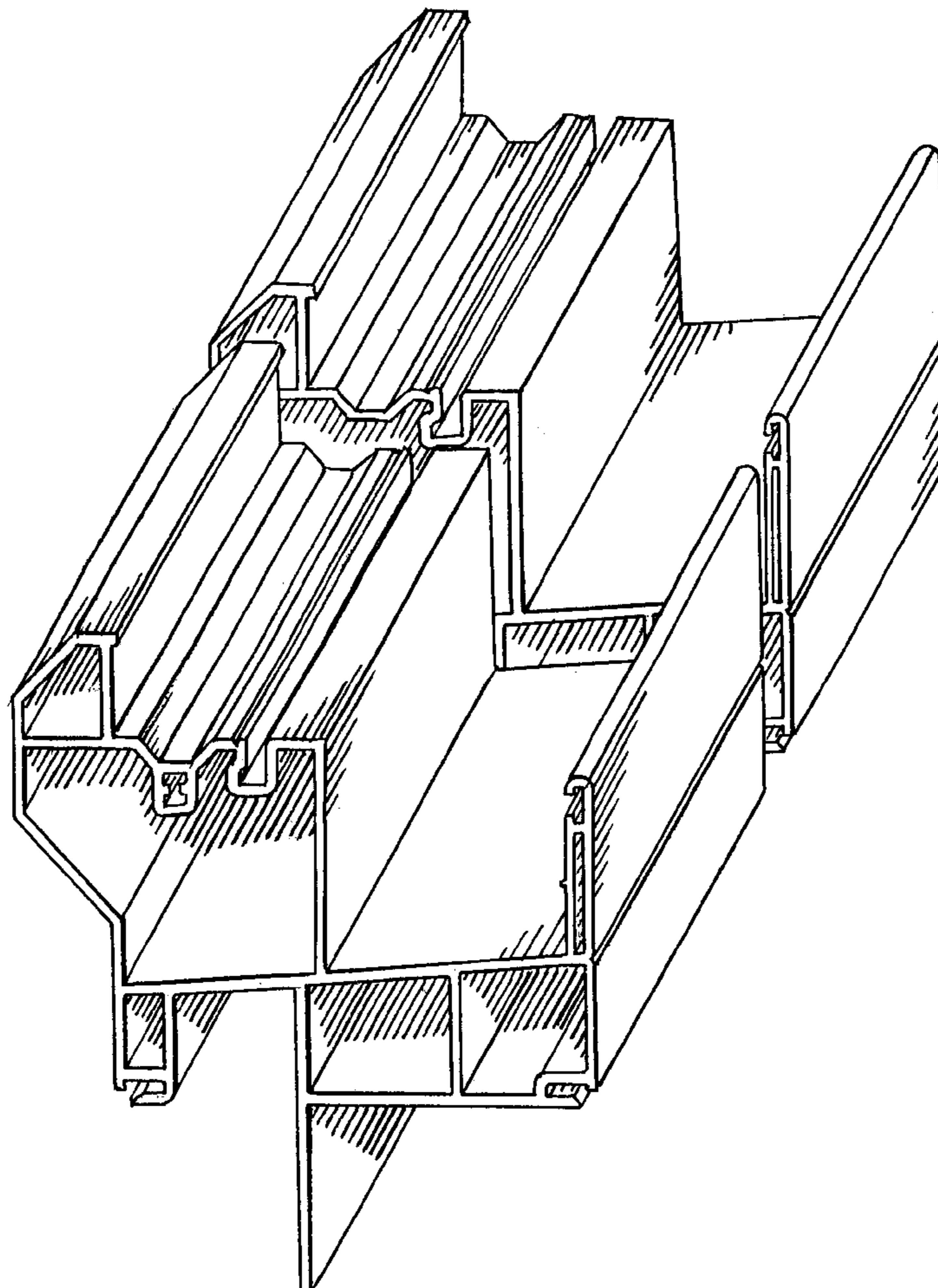


FIG-1

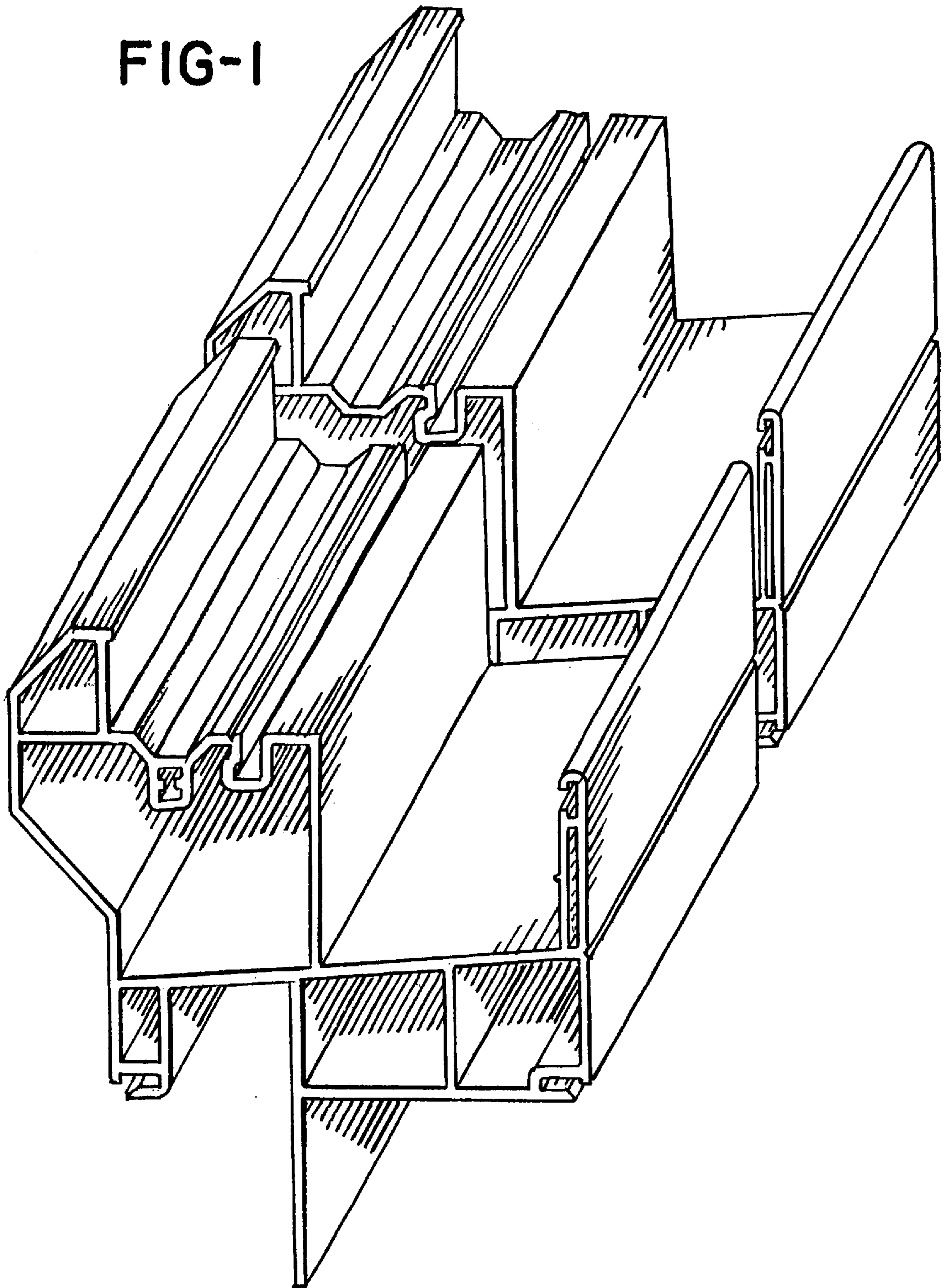


FIG-2

