



US00D444574S

(12) **United States Design Patent**
Gibson et al.

(10) **Patent No.: US D444,574 S**
(45) **Date of Patent: ** Jul. 3, 2001**

- (54) **STEP STOOL**
- (75) Inventors: **William R. Gibson, Kent; Enrique R. Giner, Streetsboro, both of OH (US)**
- (73) Assignee: **Cosco Management, Inc., Wilmington, DE (US)**
- (**) Term: **14 Years**
- (21) Appl. No.: **29/114,188**
- (22) Filed: **Nov. 19, 1999**

- 4,261,435 4/1981 Winter .
- 4,276,955 7/1981 Hickman .
- 4,440,264 4/1984 Knoke et al. .
- 4,460,063 7/1984 Casada .
- 4,485,892 12/1984 Maloney et al. .
- 4,502,564 3/1985 Kümmerlin et al. .
- 4,589,521 5/1986 Finster et al. .
- 4,874,147 10/1989 Ory et al. .
- 4,979,590 12/1990 Bailey .
- 5,052,581 10/1991 Christ et al. .
- 5,064,243 11/1991 Quain .
- 5,259,480 11/1993 Bartnicki et al. .
- 5,333,823 8/1994 Joseph .
- 5,342,008 8/1994 Kay .
- 5,358,070 10/1994 Bartnicki et al. .

Related U.S. Application Data

- (63) Continuation of application No. 29/098,923, filed on Jan. 8, 1999, now abandoned.
- (60) Provisional application No. 60/148,867, filed on Aug. 13, 1999.
- (51) **LOC (7) Cl. 25-04**
- (52) **U.S. Cl. D25/65**
- (58) **Field of Search D25/63, 64, 65;**
182/21, 26, 33, 95

(List continued on next page.)

FOREIGN PATENT DOCUMENTS

33 27 025 A1 7/1983 (DE) .

OTHER PUBLICATIONS

Cosco Home Furnishings 1996: Catalog, pp. 17, 18, and 23-25.
"Cosco 1995 Home Furnishings": Catalog, pp. 3-5.

(56) **References Cited**

U.S. PATENT DOCUMENTS

- 162,075 4/1875 Isaacs et al. .
- D. 273,996 5/1984 Rasler .
- D. 284,513 7/1986 Dyer .
- D. 286,574 11/1986 McMillin .
- D. 300,252 3/1989 Schmitt .
- D. 300,563 4/1989 Burkhart, Sr. .
- D. 310,884 9/1990 Patton et al. .
- D. 334,240 3/1993 Huffine .
- D. 387,878 12/1997 Jacques .
- D. 388,882 1/1998 Kain .
- D. 401,353 11/1998 Bell et al. .
- D. 433,156 * 10/2000 Gibson et al. D25/64
- 1,702,249 2/1929 Davidson .
- 2,109,886 3/1938 Lewis .
- 2,207,923 7/1940 Kelso .
- 2,470,053 5/1949 Salisbury .
- 2,596,521 5/1952 Bell .
- 3,999,629 12/1976 Schaffer et al. .

Primary Examiner—Doris Clark
(74) *Attorney, Agent, or Firm*—Barnes & Thornburg

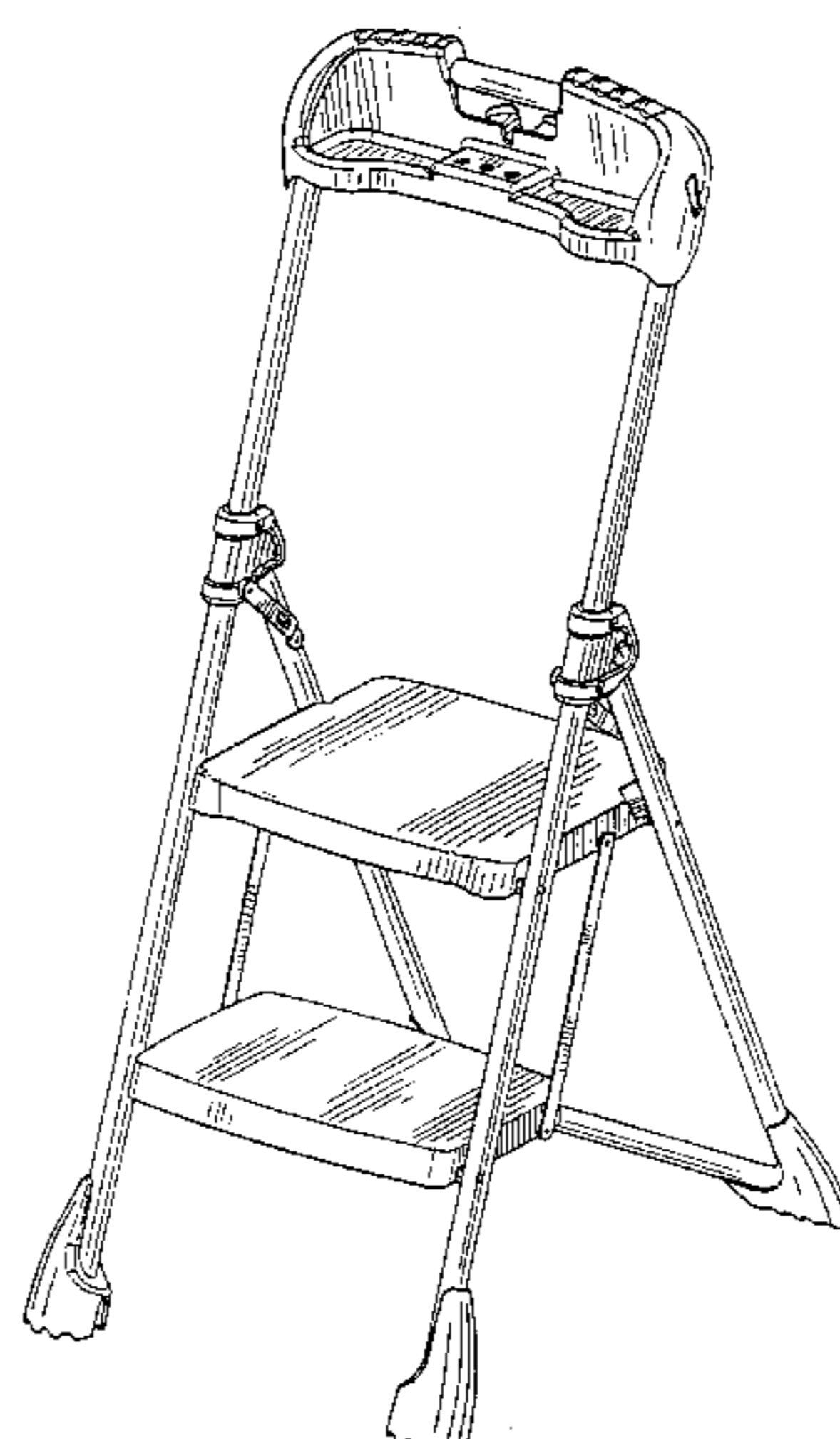
(57) **CLAIM**

The ornamental design for a step stool, as shown and described.

DESCRIPTION

FIG. 1 is a perspective view of a step stool according to our new design;
FIG. 2 is a front elevational view thereof;
FIG. 3 is a right-side elevational view thereof, with the left-side elevational view being substantially similar thereto;
FIG. 4 is a rear elevational view thereof;
FIG. 5 is a top plan view thereof; and,
FIG. 6 is a bottom view thereof.

1 Claim, 3 Drawing Sheets



US D444,574 S

Page 2

U.S. PATENT DOCUMENTS

5,419,409	5/1995	Corulla .	5,722,507	3/1998	Kain .
5,503,245	4/1996	Etesam .	5,762,163	6/1998	Kain .
5,511,753	4/1996	Lage .	5,937,968	8/1999	Gibson et al. .

* cited by examiner

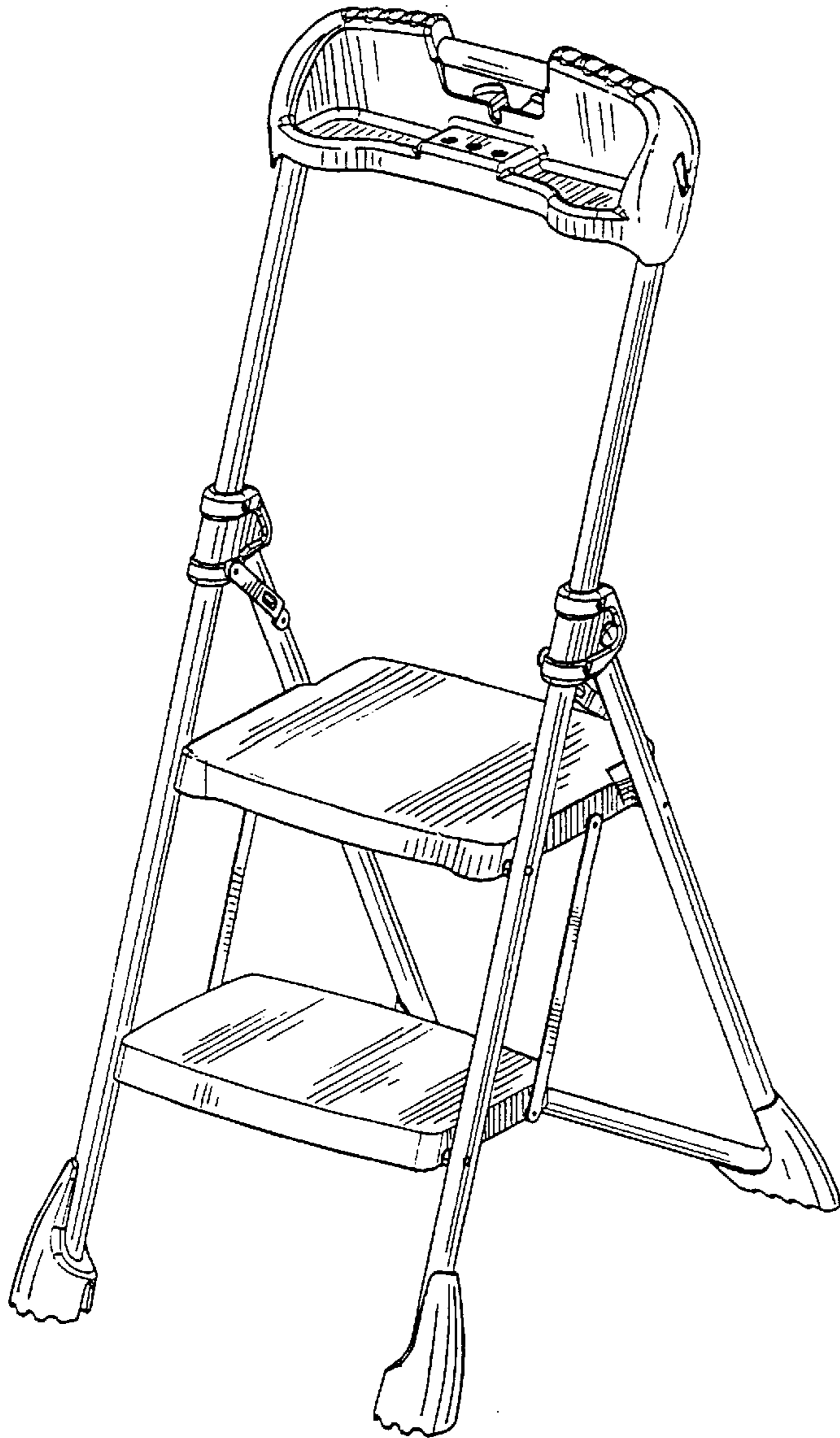


FIG. 1

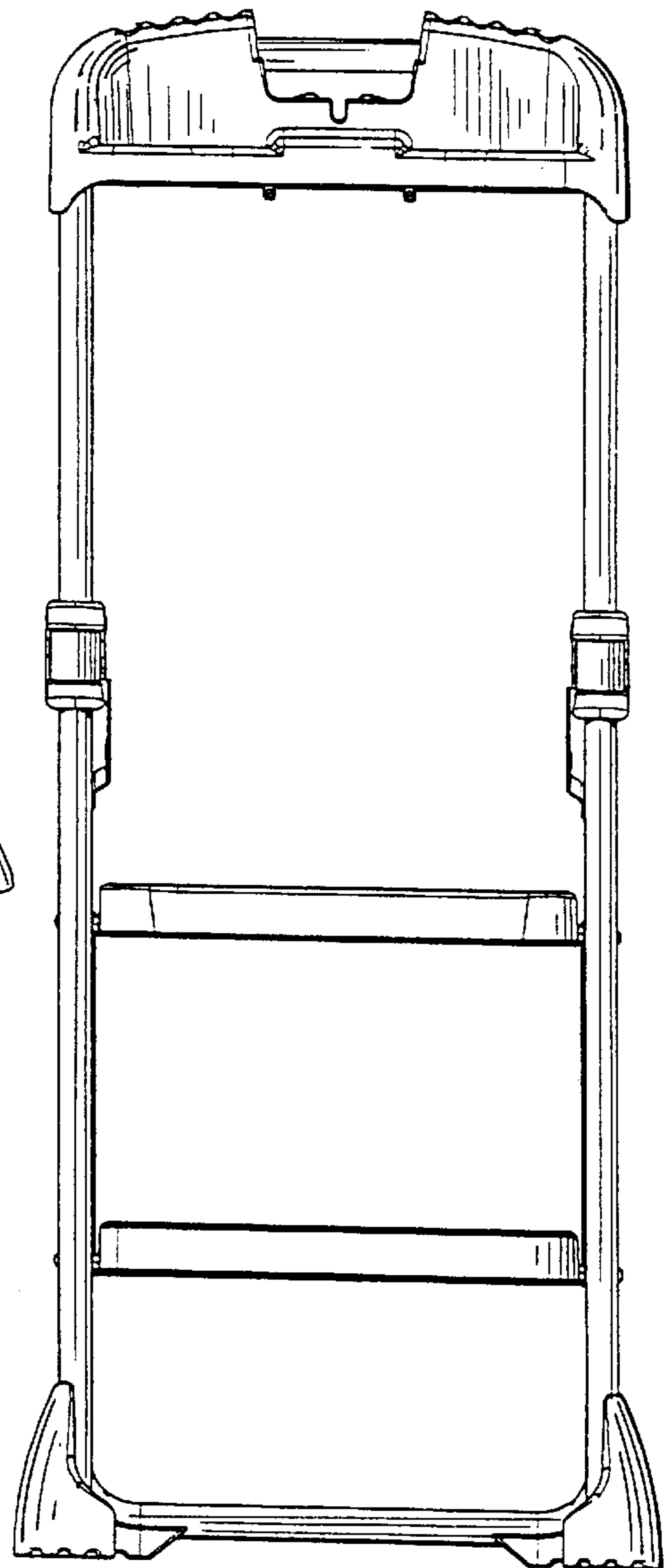


FIG. 2

FIG. 3

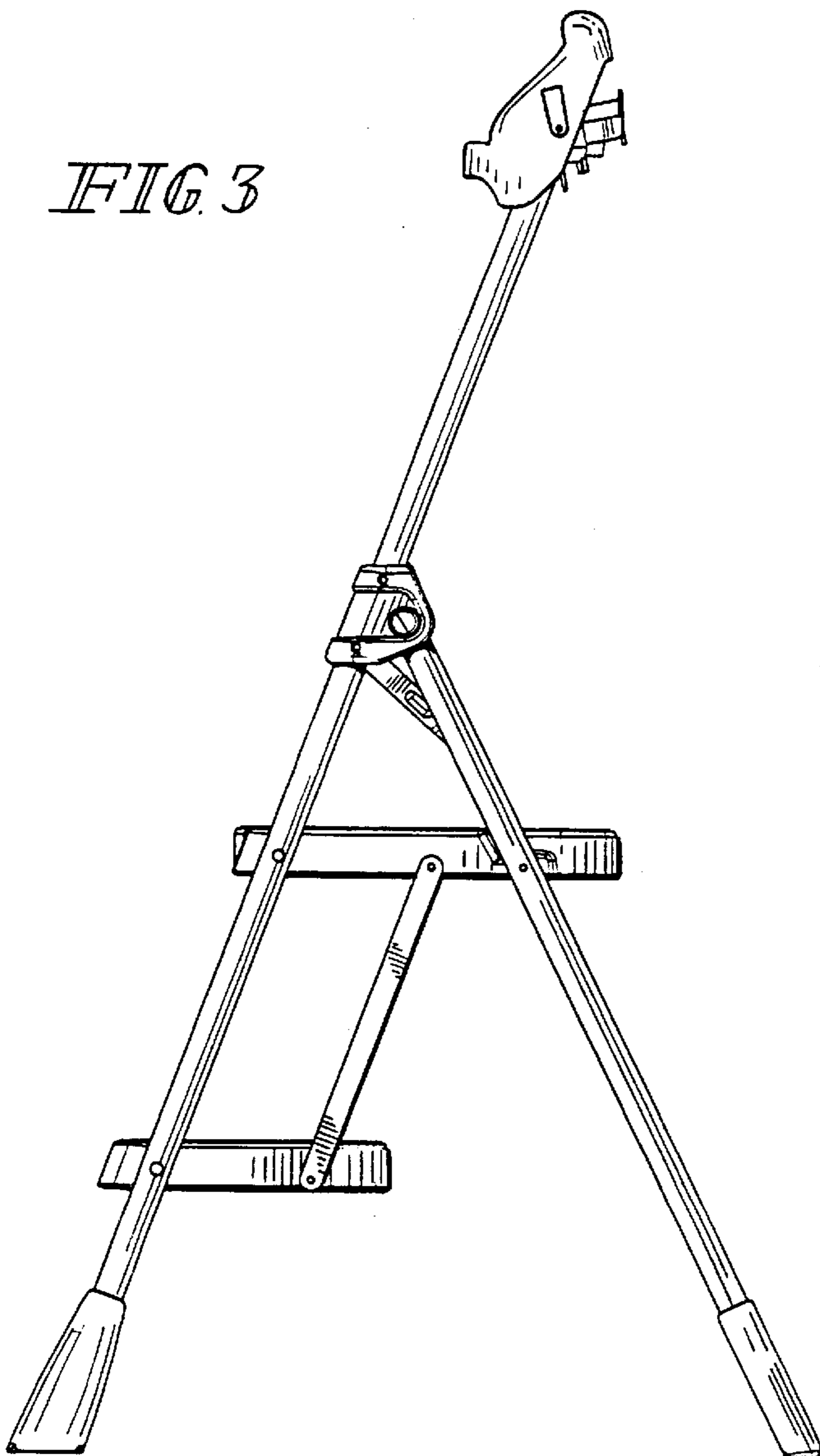


FIG. 4

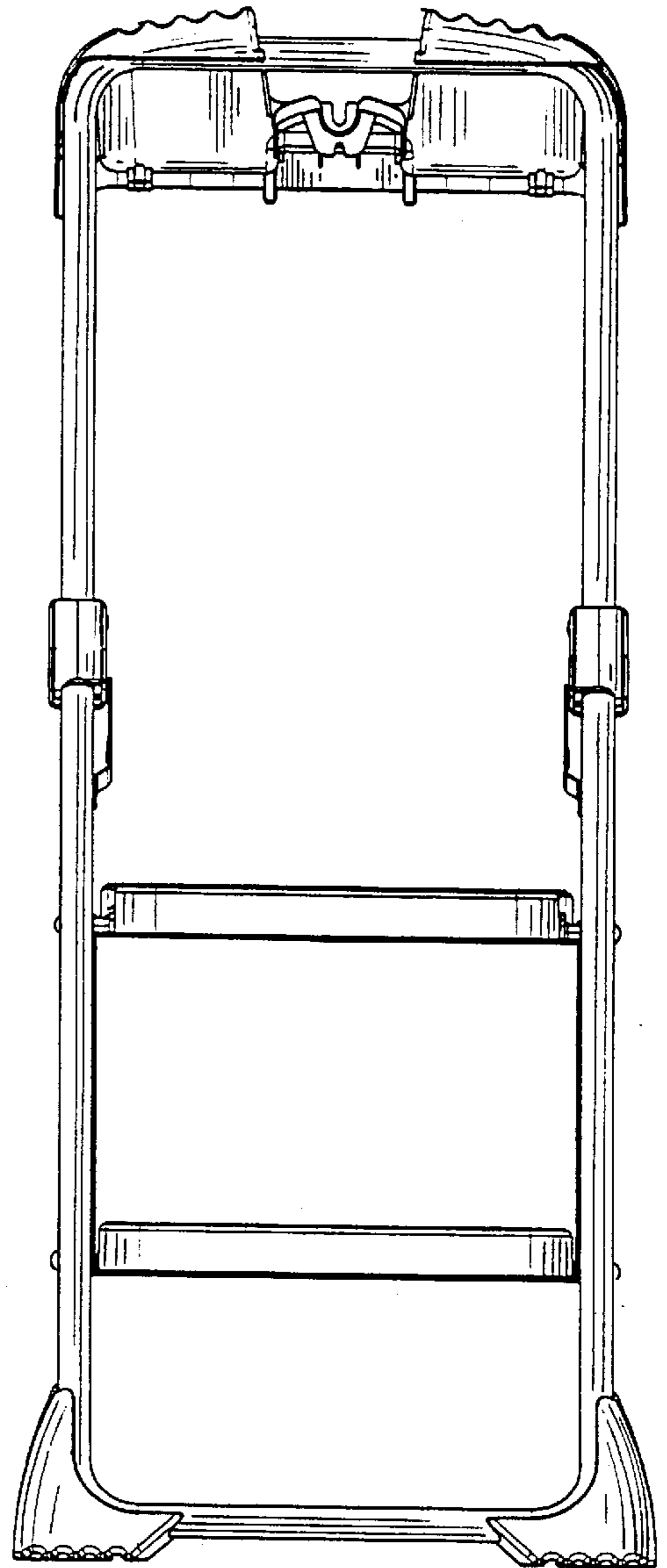


FIG. 5

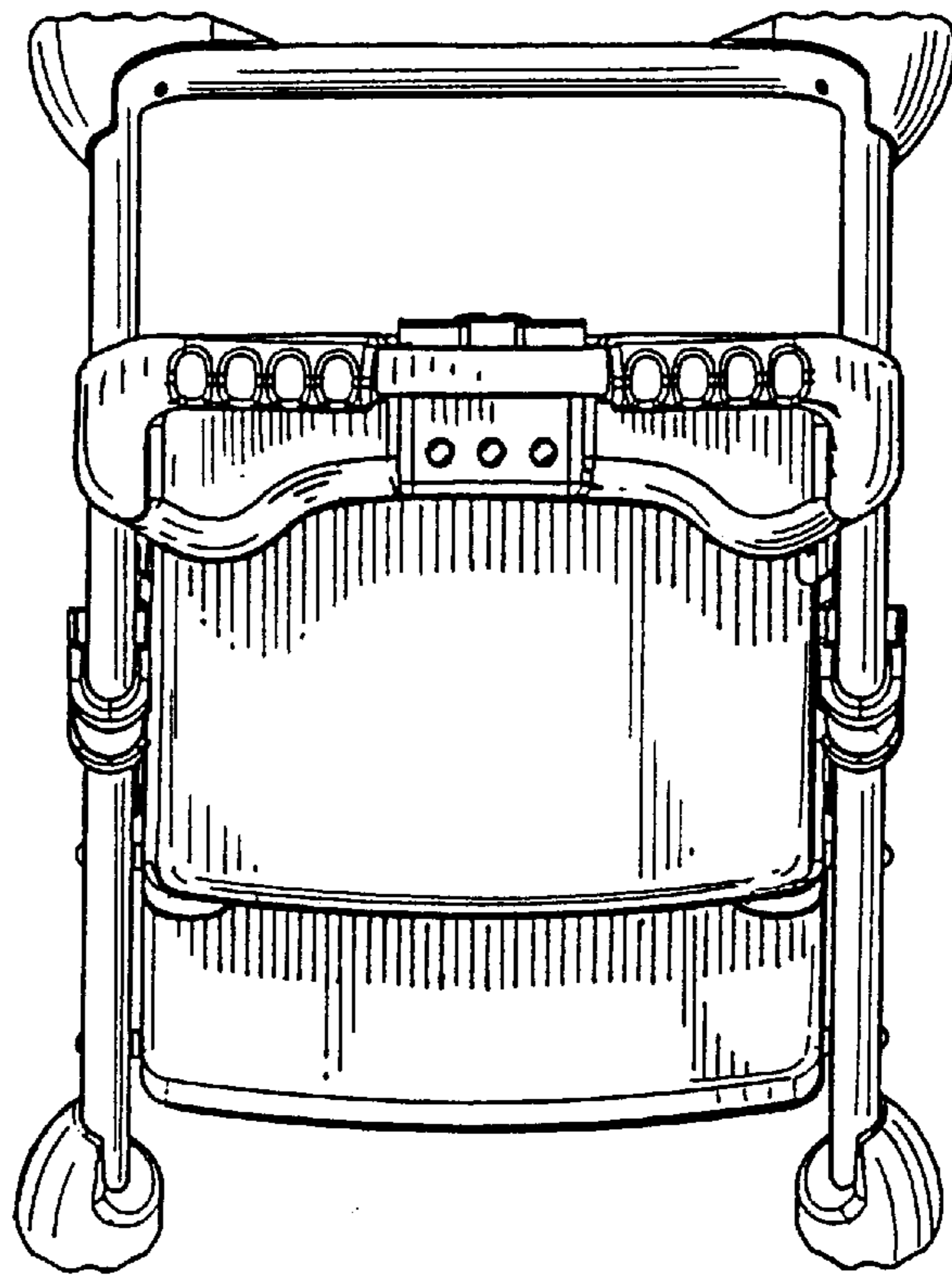


FIG. 6

