



US00D444573S

(12) **United States Design Patent**
Owens et al.

(10) **Patent No.:** **US D444,573 S**

(45) **Date of Patent:** **** Jul. 3, 2001**

(54) **HUNTING STAND**

5,562,180 * 10/1996 Herzog et al. 182/187

(75) Inventors: **Chad Owens; Randell Duckworth,**
both of Springfield; **Kyle Mosley,**
Lebanon, all of MO (US)

* cited by examiner

(73) Assignee: **Ozark Specialty Outdoors, L.L.C.,**
Springfield, MO (US)

Primary Examiner—Doris Clark

(74) *Attorney, Agent, or Firm*—Joseph L. Johnson; William
A. Rudy; James M. Stipek

(**) Term: **14 Years**

(57) **CLAIM**

The ornamental design for a hunting stand, as shown and
described.

(21) Appl. No.: **29/122,635**

(22) Filed: **May 1, 2000**

DESCRIPTION

(51) **LOC (7) Cl.** **25-04**

(52) **U.S. Cl.** **D25/62**

(58) **Field of Search** D25/62; 182/187,
182/188, 136; 108/152; 248/231

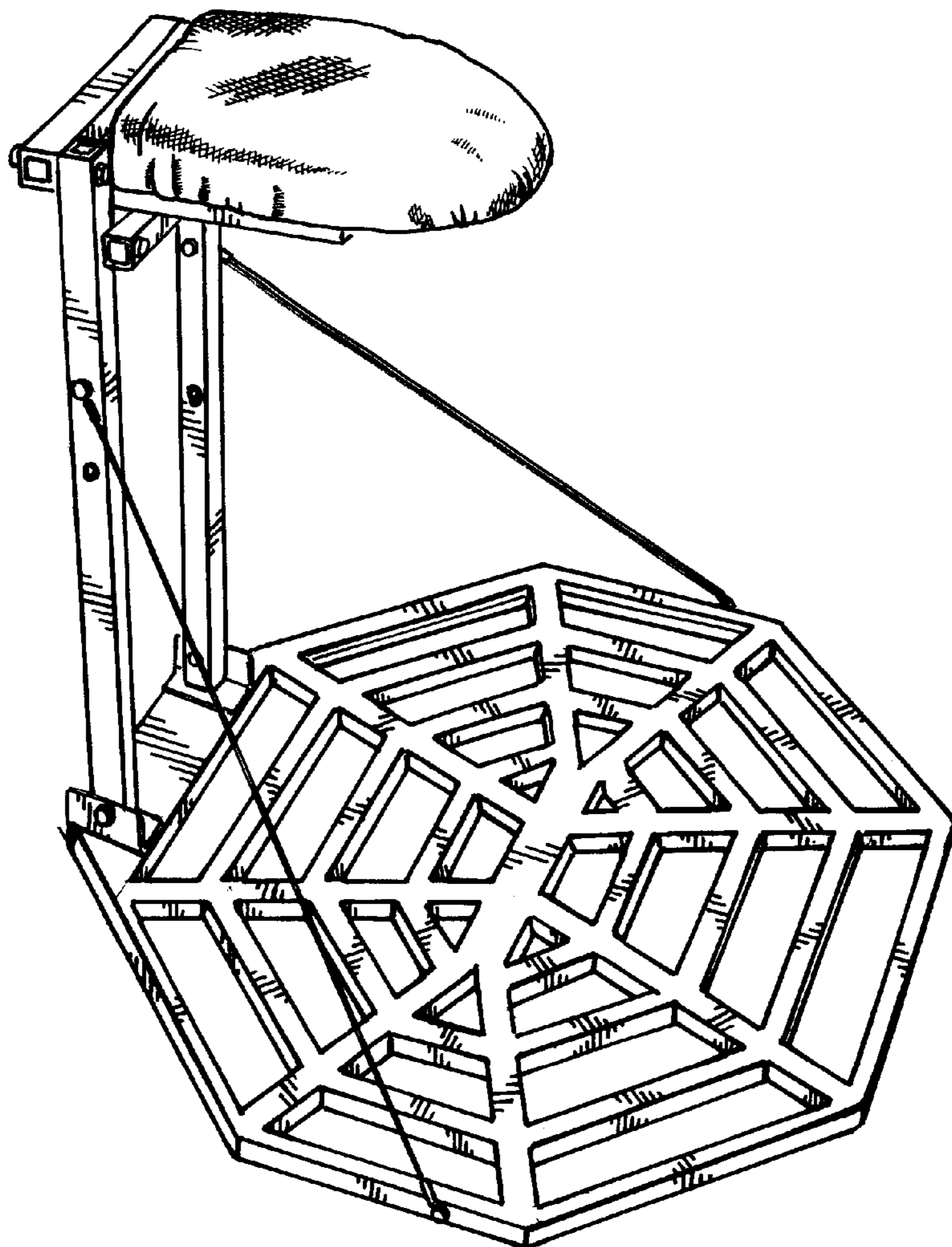
FIG. 1 is a perspective view of one side of the hunting stand;
FIG. 2 is a top view of the hunting stand;
FIG. 3 is a front elevation view of the hunting stand;
FIG. 4 is a side elevation view of the hunting stand;
FIG. 5 is a rear elevation view of the hunting stand; and,
FIG. 6 is a bottom view of the hunting stand.

(56) **References Cited**

U.S. PATENT DOCUMENTS

D. 373,427 * 9/1996 Russom D25/62

1 Claim, 5 Drawing Sheets



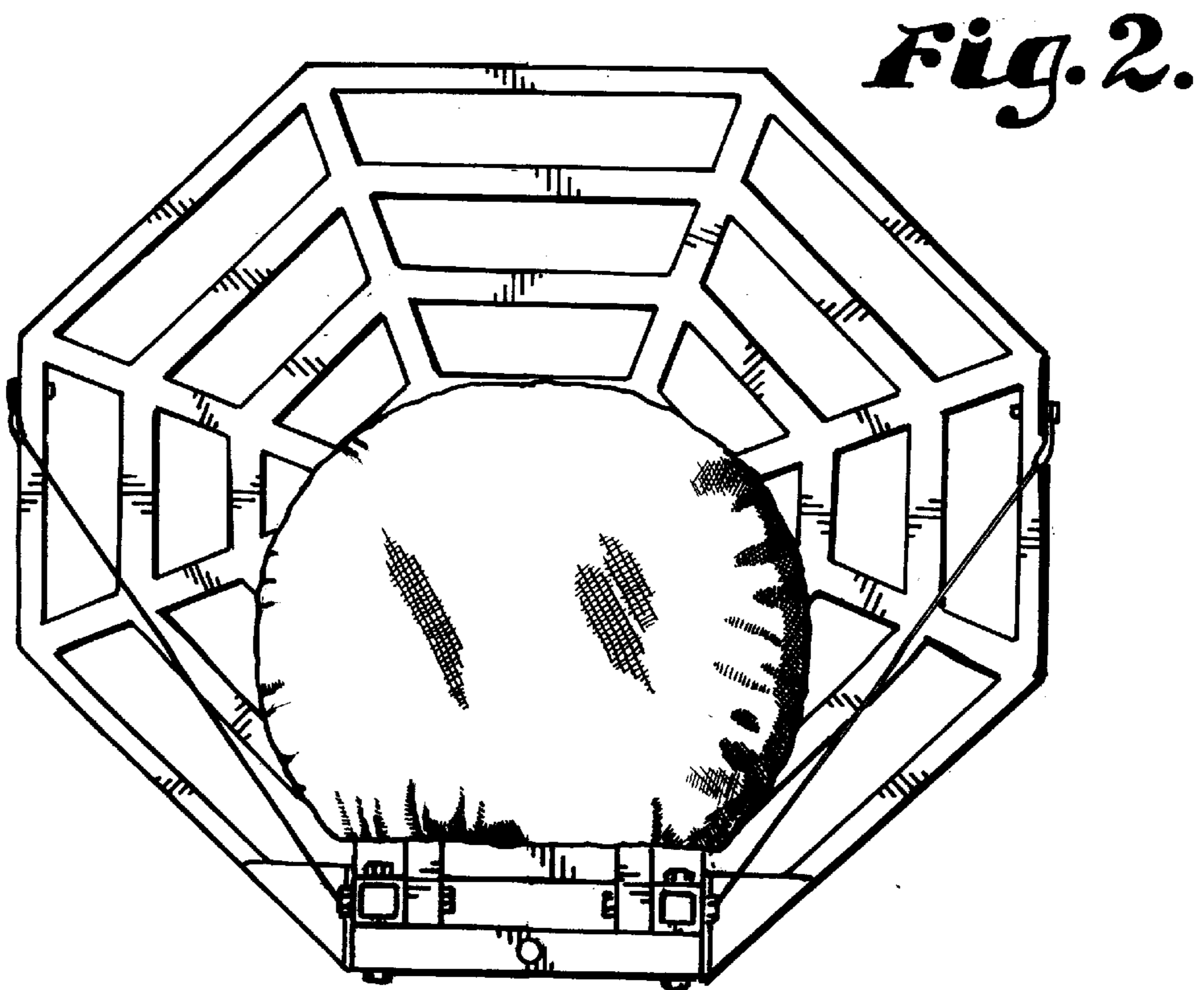
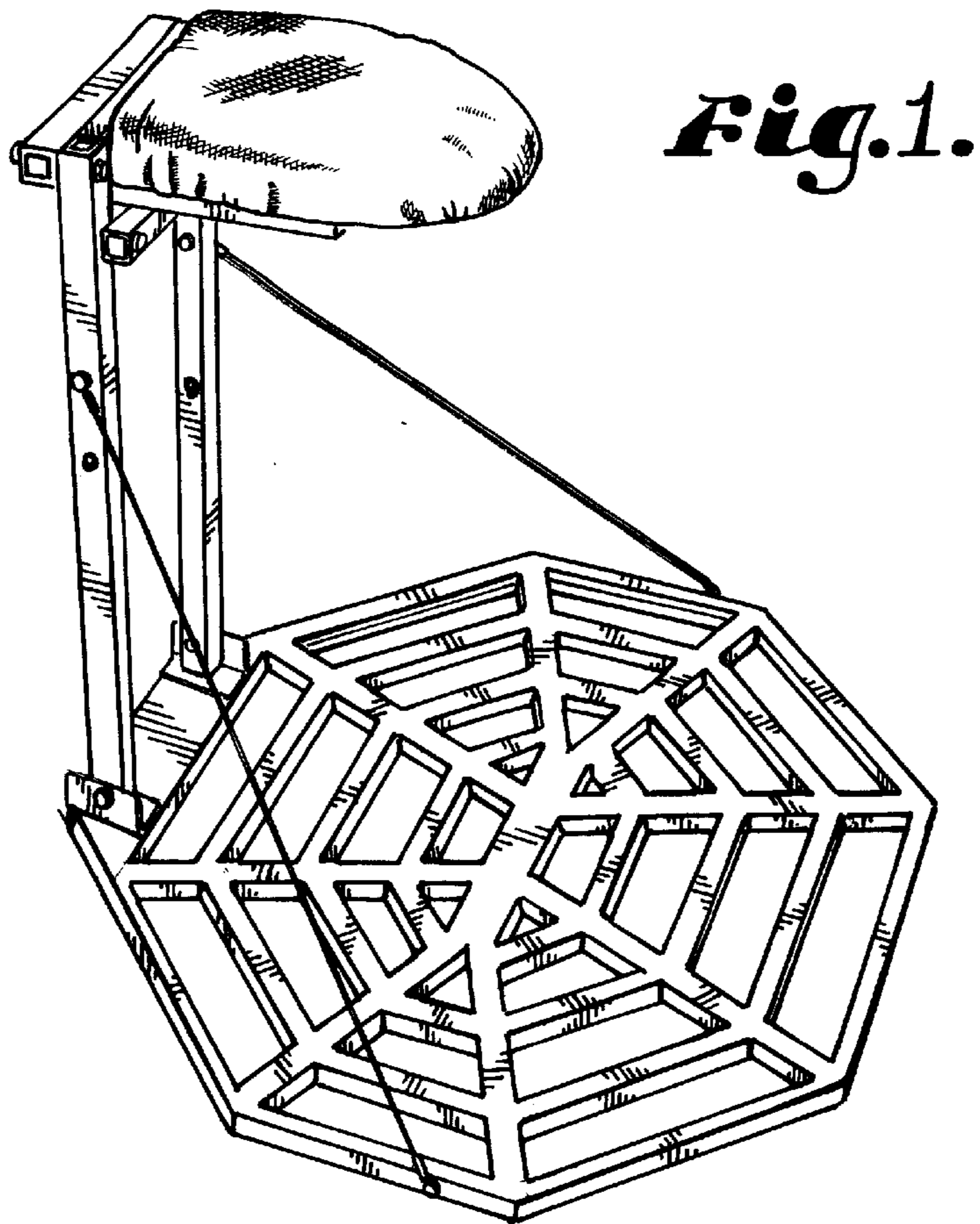
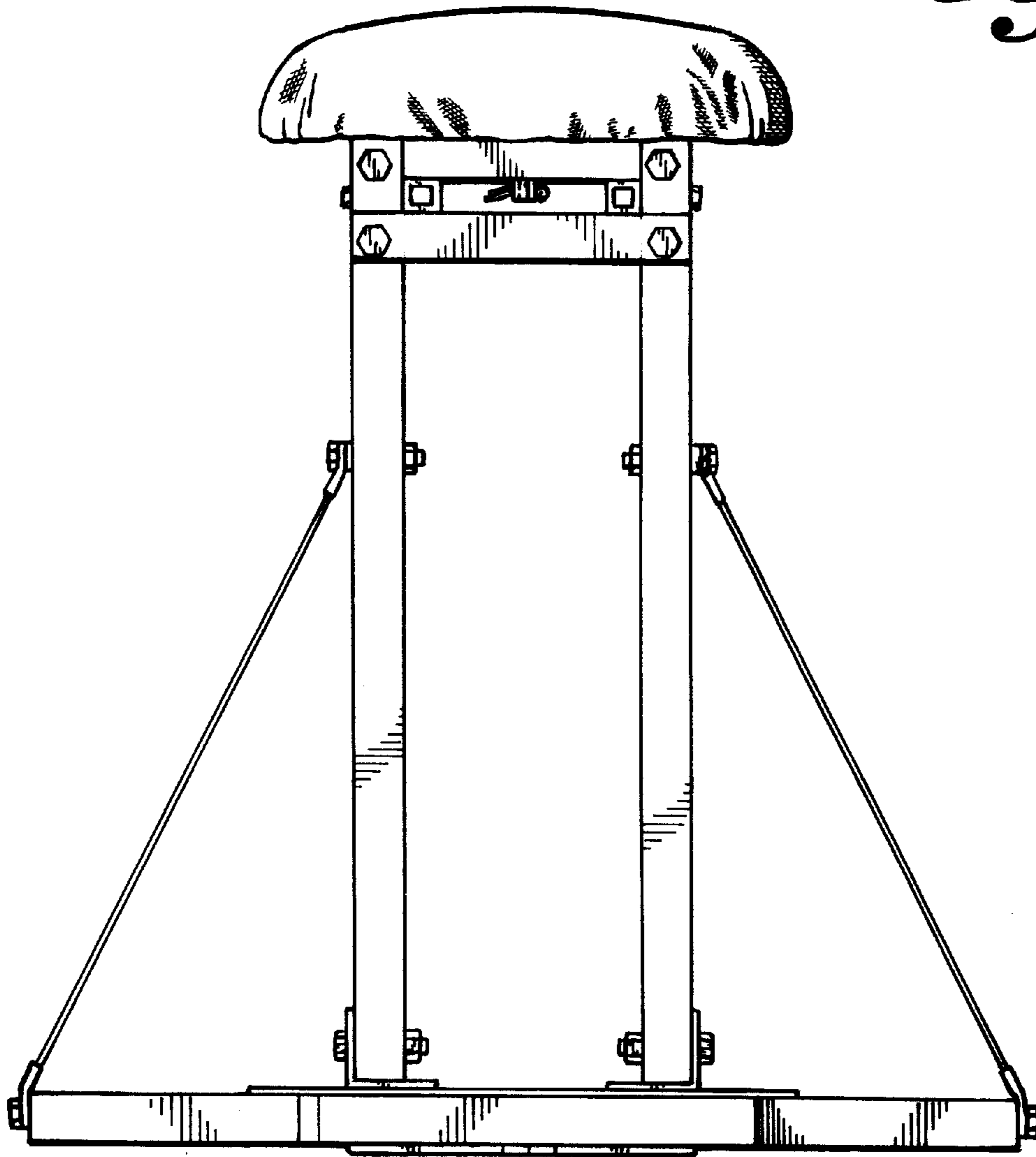


Fig. 3.



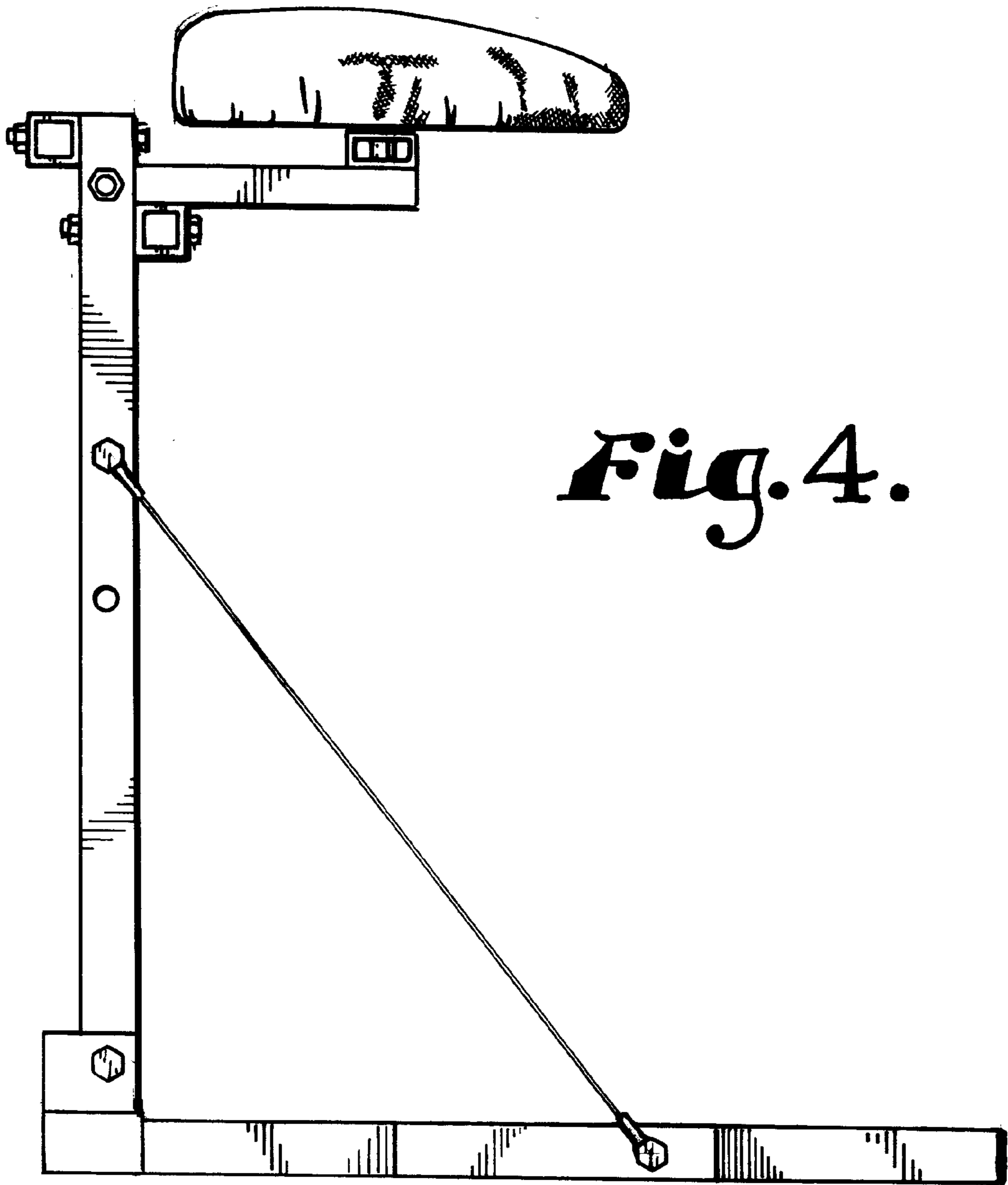


Fig. 4.

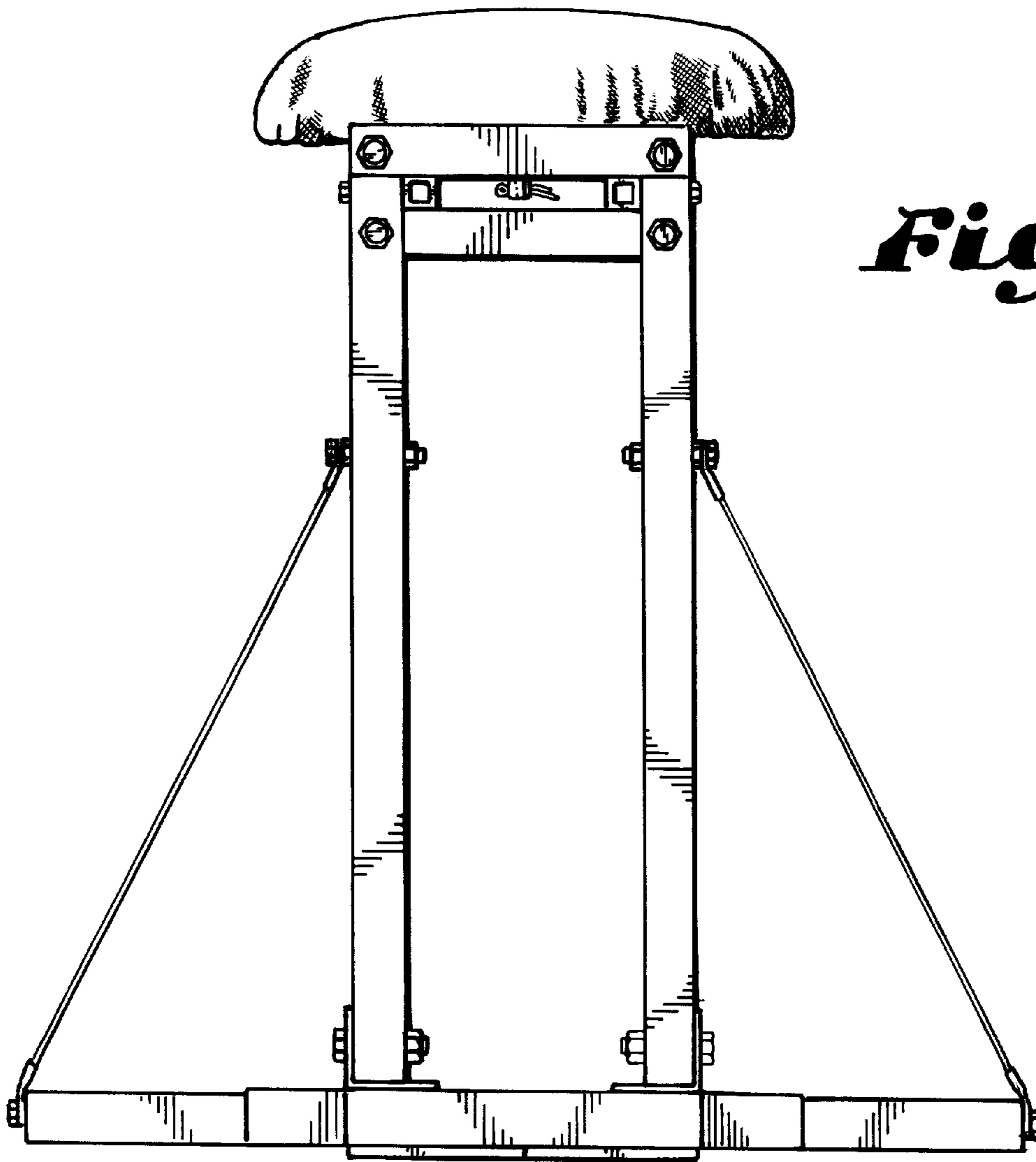


Fig. 5.

Fig. 6.

