



US00D444572S

(12) **United States Design Patent**  
**Howe**

(10) **Patent No.:** **US D444,572 S**

(45) **Date of Patent:** **\*\* Jul. 3, 2001**

(54) **TUB BOX**

(75) **Inventor:** **Samuel H. Howe**, Carson City, NV (US)

(73) **Assignee:** **LSP Products Group, Inc.**, Carson City, NV (US)

(\*\*) **Term:** **14 Years**

(21) **Appl. No.:** **29/111,162**

(22) **Filed:** **Sep. 21, 1999**

(51) **LOC (7) Cl.** ..... **25-02**

(52) **U.S. Cl.** ..... **D25/36**

(58) **Field of Search** ..... D25/276-277,  
D25/283, 303-307, 203, 270, 36; 4/538,  
554, 584, 596, 612; D13/133, 152; 220/3.3,  
3.9, 3.94, 4.4, 484; 52/577

(56) **References Cited**

**U.S. PATENT DOCUMENTS**

- D. 130,643 \* 12/1941 Hose ..... D13/152 X
- D. 217,672 \* 5/1970 Vilegi et al. .... D13/152
- D. 227,909 \* 7/1973 Griffing ..... D25/36 X
- D. 245,102 \* 7/1977 Gross ..... D25/36

- D. 274,721 \* 7/1984 Smith ..... D13/152 X
- D. 337,154 \* 7/1993 Simpson ..... D23/283 X
- 3,263,378 \* 8/1966 Dorris ..... D25/36 X
- 3,263,853 \* 8/1966 Smith ..... D25/36 X
- 3,385,012 \* 5/1968 Lovegreen ..... D25/36 X
- 4,742,585 5/1988 Logsdon .
- 4,925,045 5/1990 Logsdon .

\* cited by examiner

*Primary Examiner*—Louis S. Zarfes

*Assistant Examiner*—Robert A. Delehanty

(74) *Attorney, Agent, or Firm*—Locke Liddell & Sapp LLP;  
Monty L. Ross

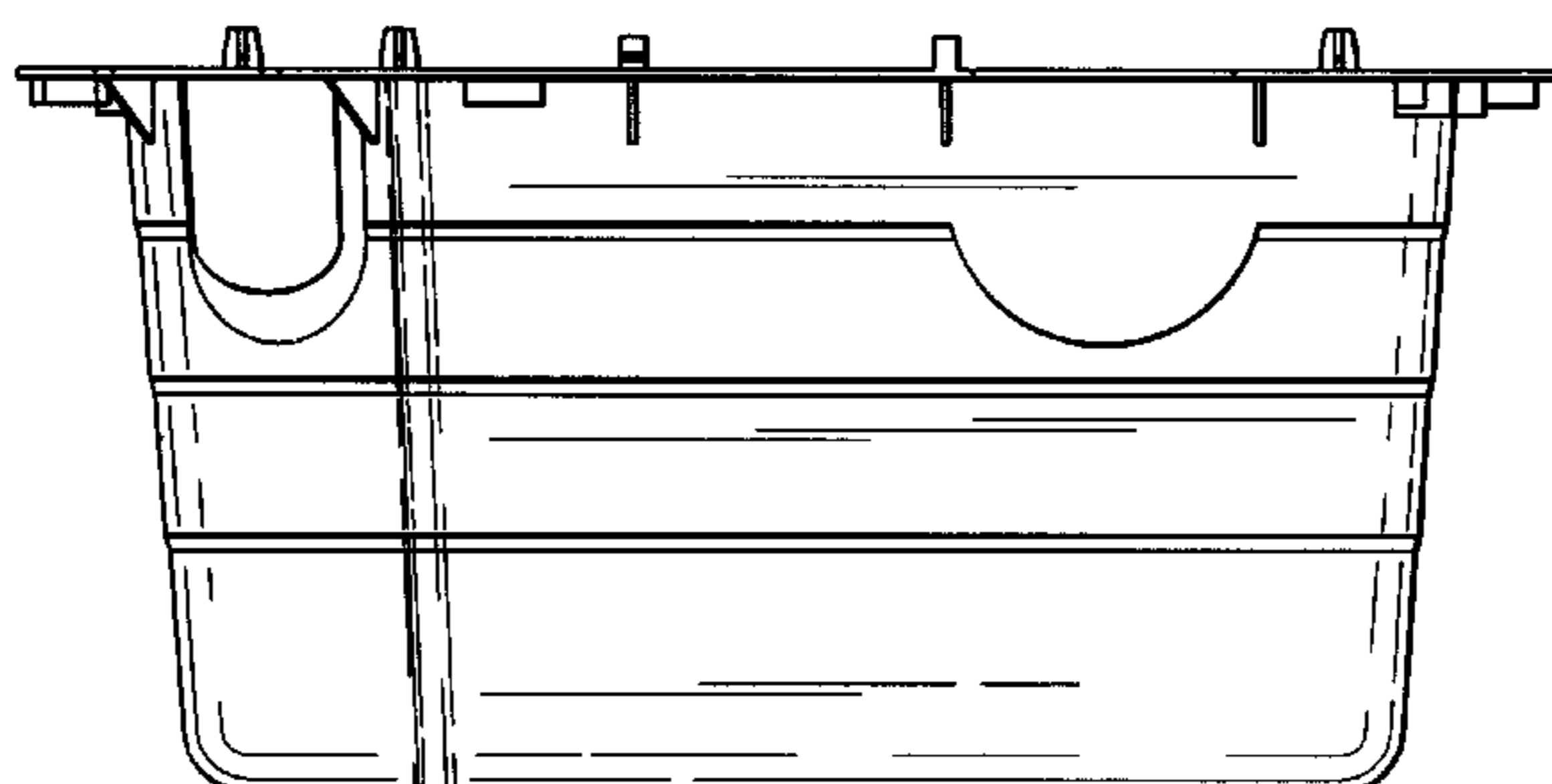
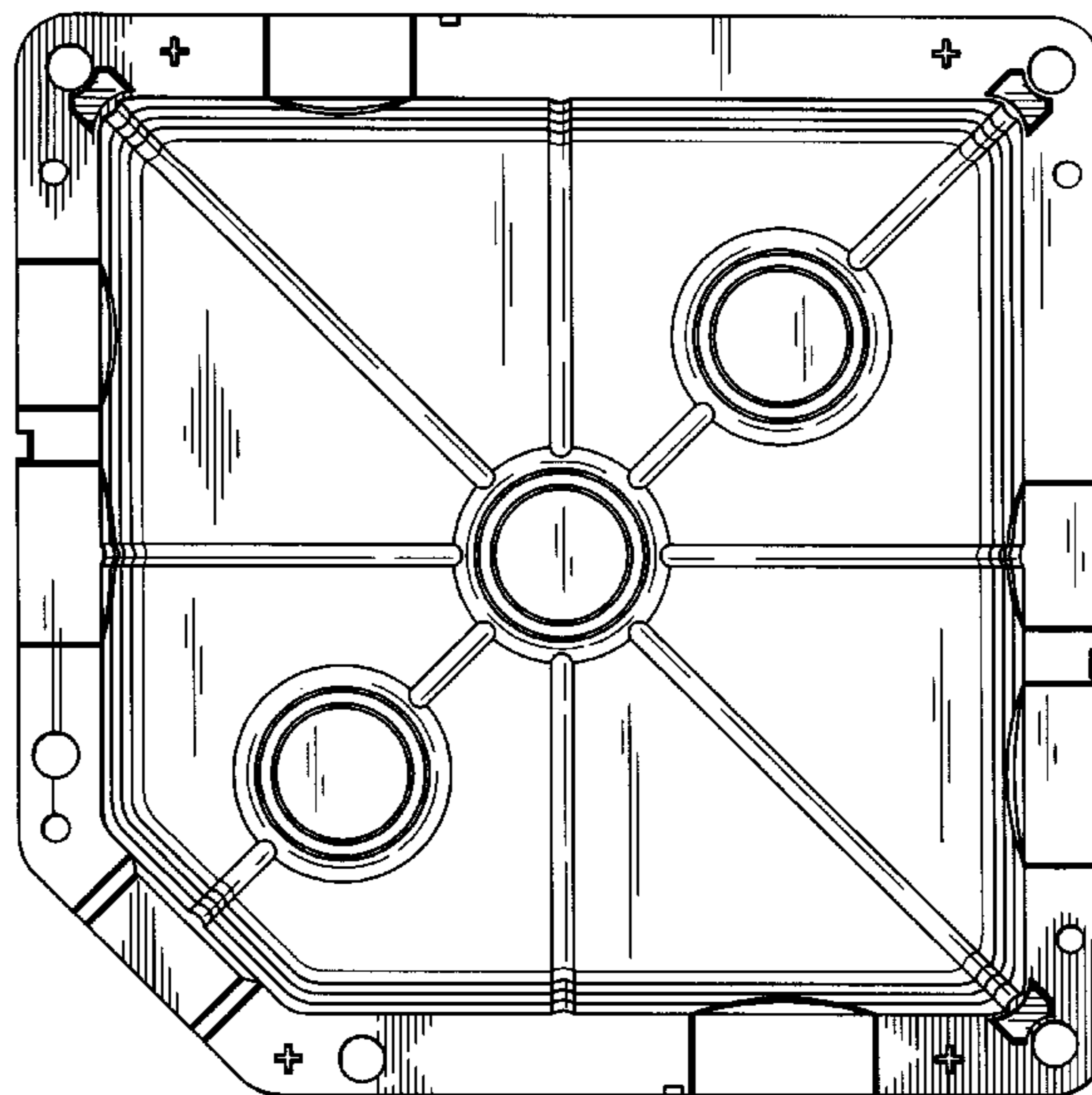
(57) **CLAIM**

The ornamental design for a tub box, as shown and described.

**DESCRIPTION**

FIG. 1 is a top plan view of tub box, showing my design; FIG. 2 is a front elevation view thereof; FIG. 3 is a left side elevation view thereof; FIG. 4 is a right side elevation view thereof; FIG. 5 is a rear elevation view thereof; and, FIG. 6 is a bottom plan view.

**1 Claim, 3 Drawing Sheets**



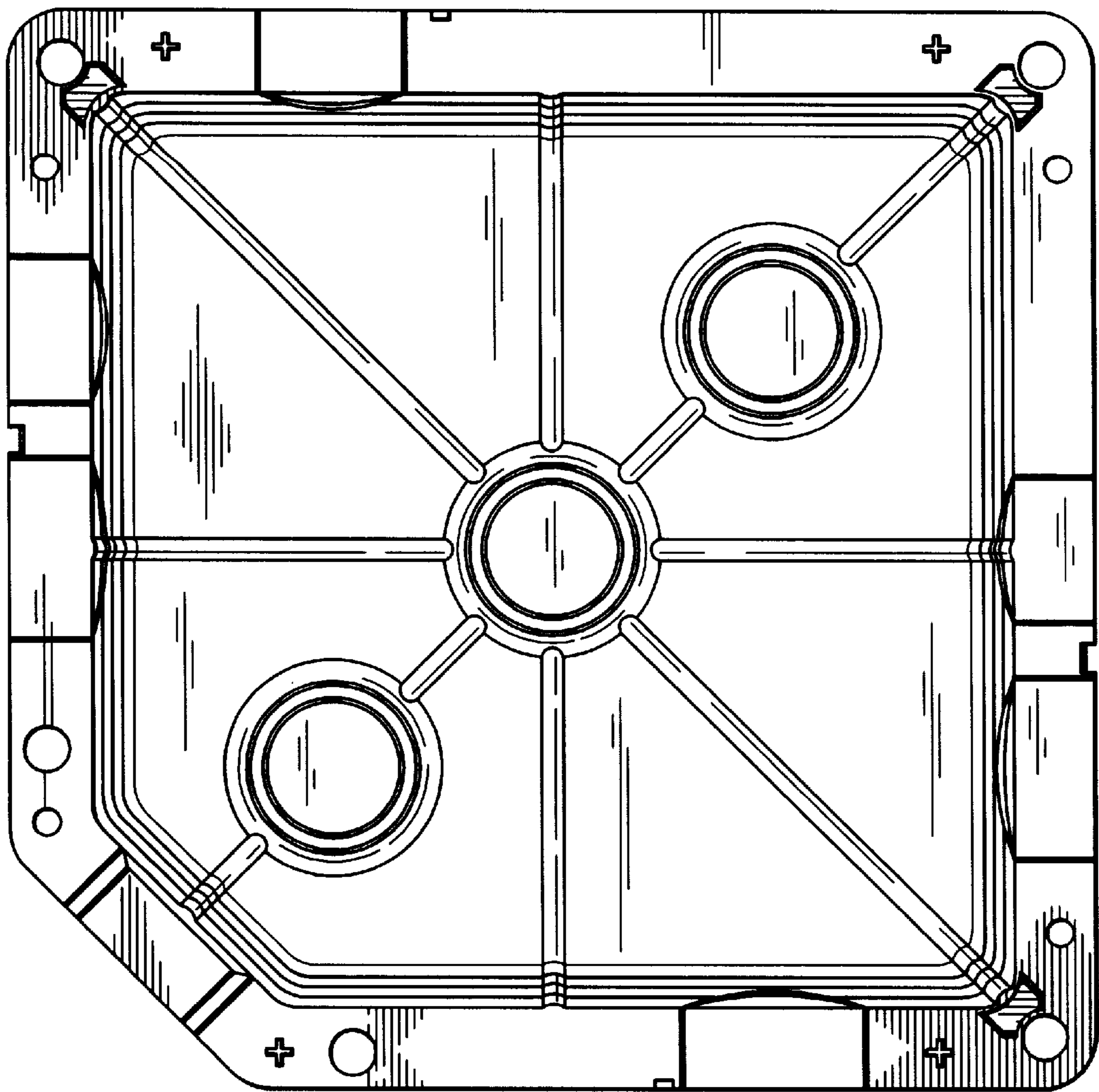


FIG. 1

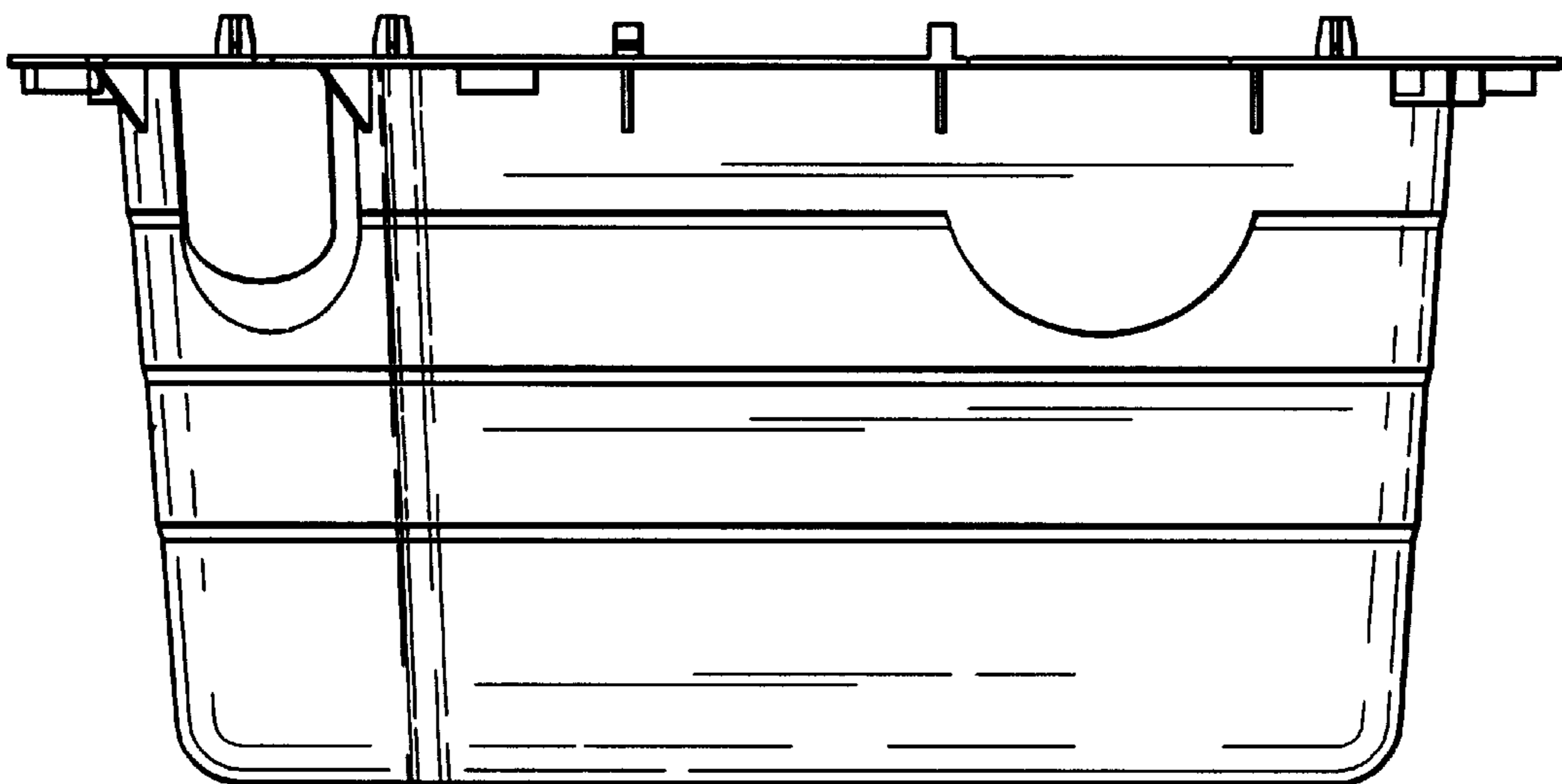
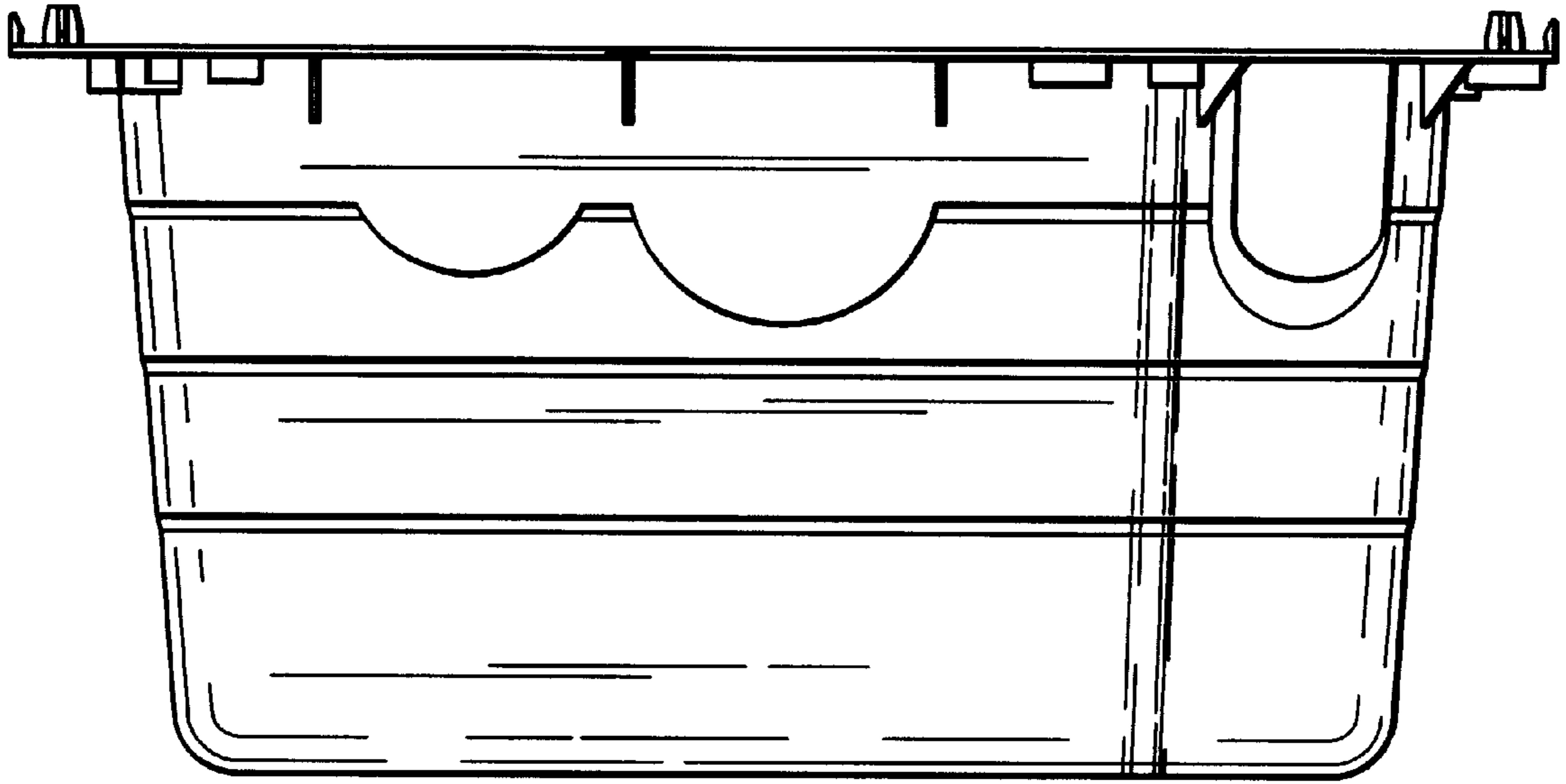
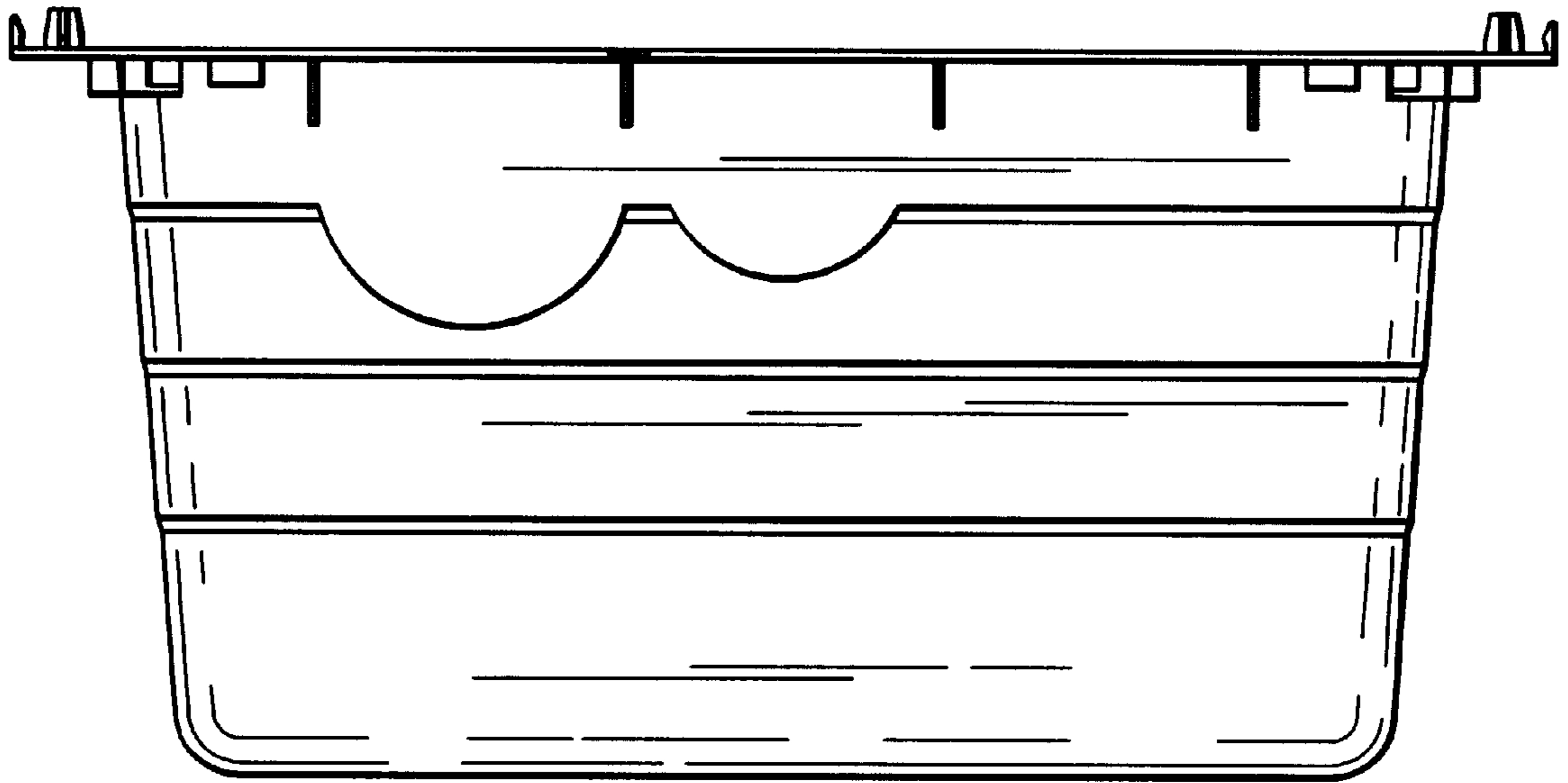


FIG. 2



*FIG. 3*



*FIG. 4*

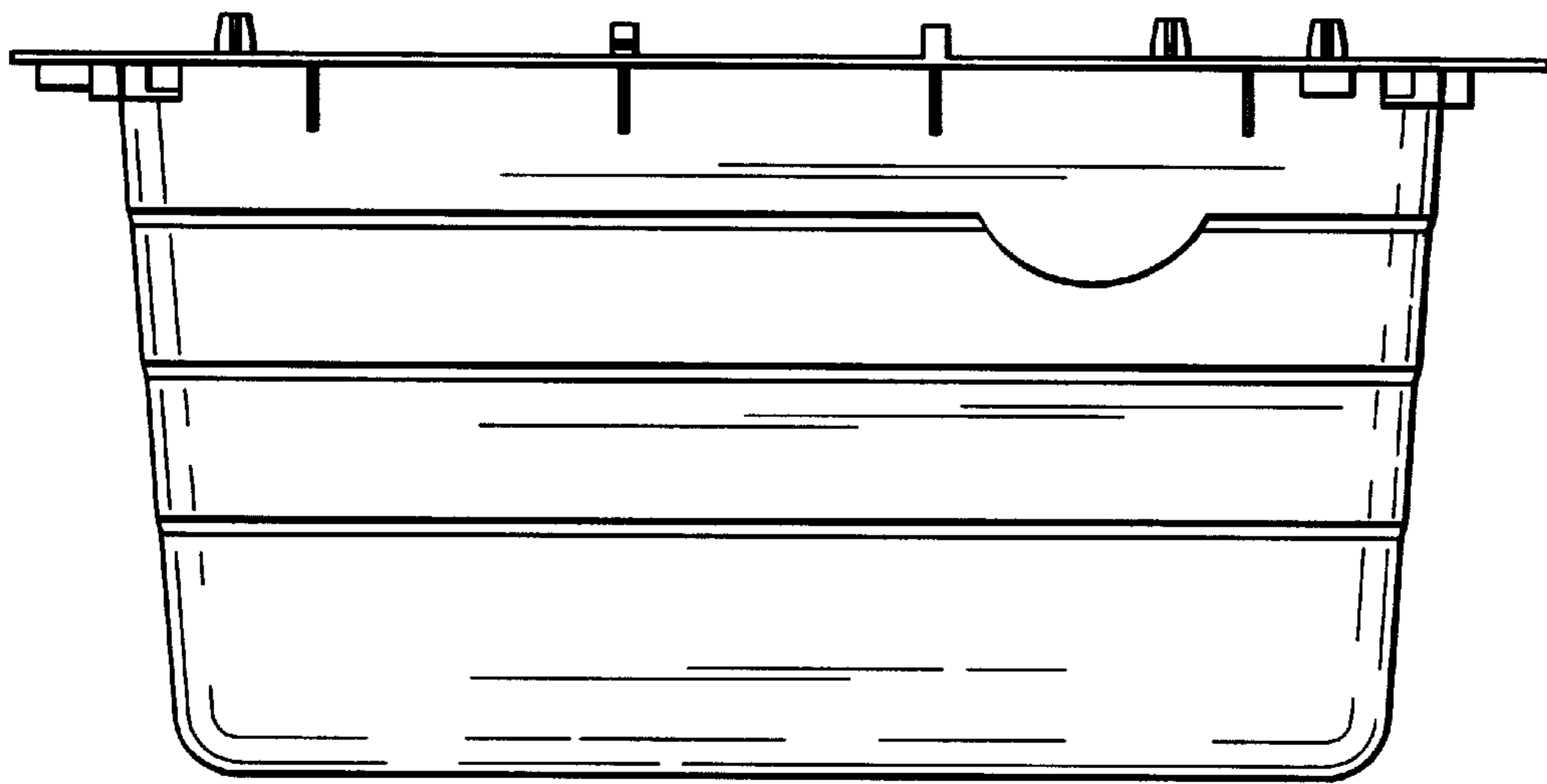


FIG. 5

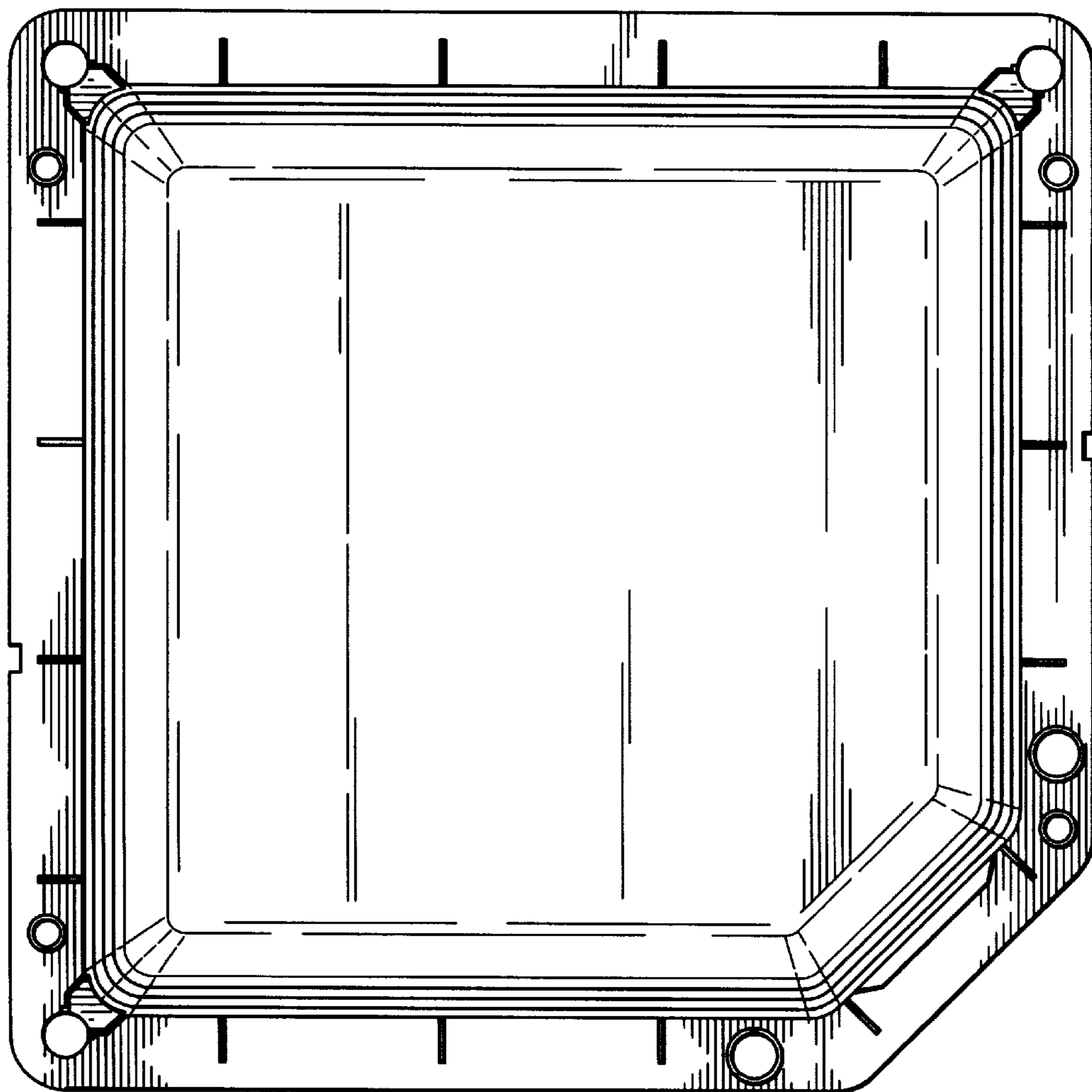


FIG. 6