



US00D444568S

(12) **United States Design Patent**
Conway

(10) **Patent No.:** **US D444,568 S**

(45) **Date of Patent:** **** Jul. 3, 2001**

(54) **STACKABLE TUBE ASSEMBLY**
(75) Inventor: **Hugh T. Conway**, Verona, NJ (US)
(73) Assignee: **Becton, Dickinson and Company**,
Franklin Lakes, NJ (US)
(**) Term: **14 Years**

| | | | | |
|-------------|--------|-------------------|-------|---------|
| 4,397,318 | 8/1983 | Burns | | 128/763 |
| 4,830,217 | 5/1989 | Dufresne et al. | | 220/420 |
| 5,384,096 | 1/1995 | Burns | | 422/102 |
| 5,441,895 | 8/1995 | Jakubowicz et al. | | 436/518 |
| 5,545,375 | 8/1996 | Tropsha et al. | | 422/102 |
| 5,924,594 * | 7/1999 | Kelly | | 422/102 |
| 5,948,365 * | 9/1999 | Macy et al. | | 422/102 |

* cited by examiner

(21) Appl. No.: **29/109,005**
(22) Filed: **Aug. 6, 1999**

Primary Examiner—Ian Simmons
(74) *Attorney, Agent, or Firm*—Nanette S. Thomas

(51) **LOC (7) Cl.** **24-02**
(52) **U.S. Cl.** **D24/224**
(58) **Field of Search** D24/224, 216,
D24/223; D9/341, 520, 570; 422/100, 102,
101, 103, 61, 58, 245, 104; 436/70, 804,
105; 226/4.21

(57) **CLAIM**

The ornamental design of a stackable tube assembly, as shown.

DESCRIPTION

FIG. 1 is a front perspective view of the stackable tube assembly;
FIG. 2 is a top plan view thereof;
FIG. 3 a bottom plan view thereof; and,
FIG. 4 is a side view thereof.

(56) **References Cited**
U.S. PATENT DOCUMENTS

| | | | | |
|--------------|---------|------------------|-------|----------|
| D. 356,643 * | 3/1995 | Burns | | D24/224 |
| 3,615,222 | 10/1971 | Mead | | 23/230 B |
| 3,807,955 | 4/1974 | Note, Jr. et al. | | 23/230 B |

1 Claim, 3 Drawing Sheets

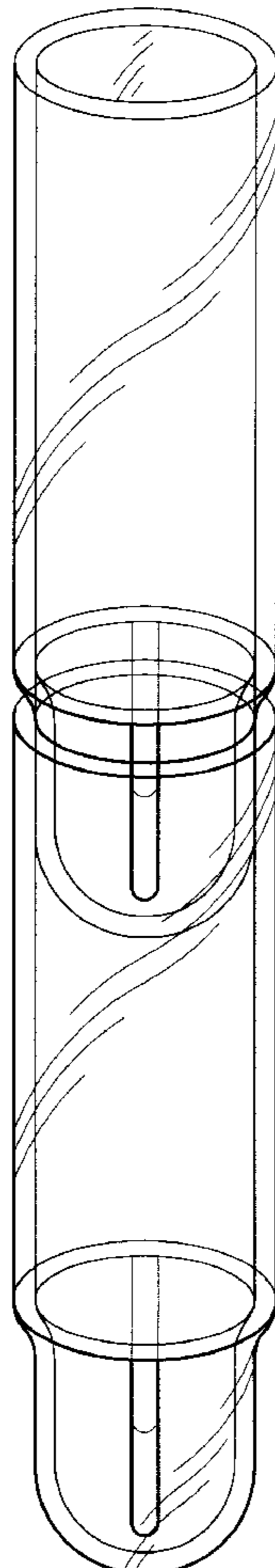


FIG. 1

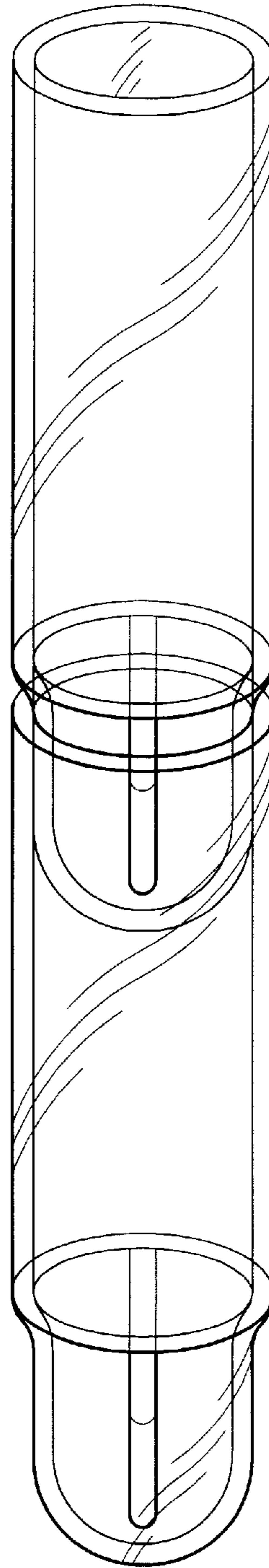


FIG. 2

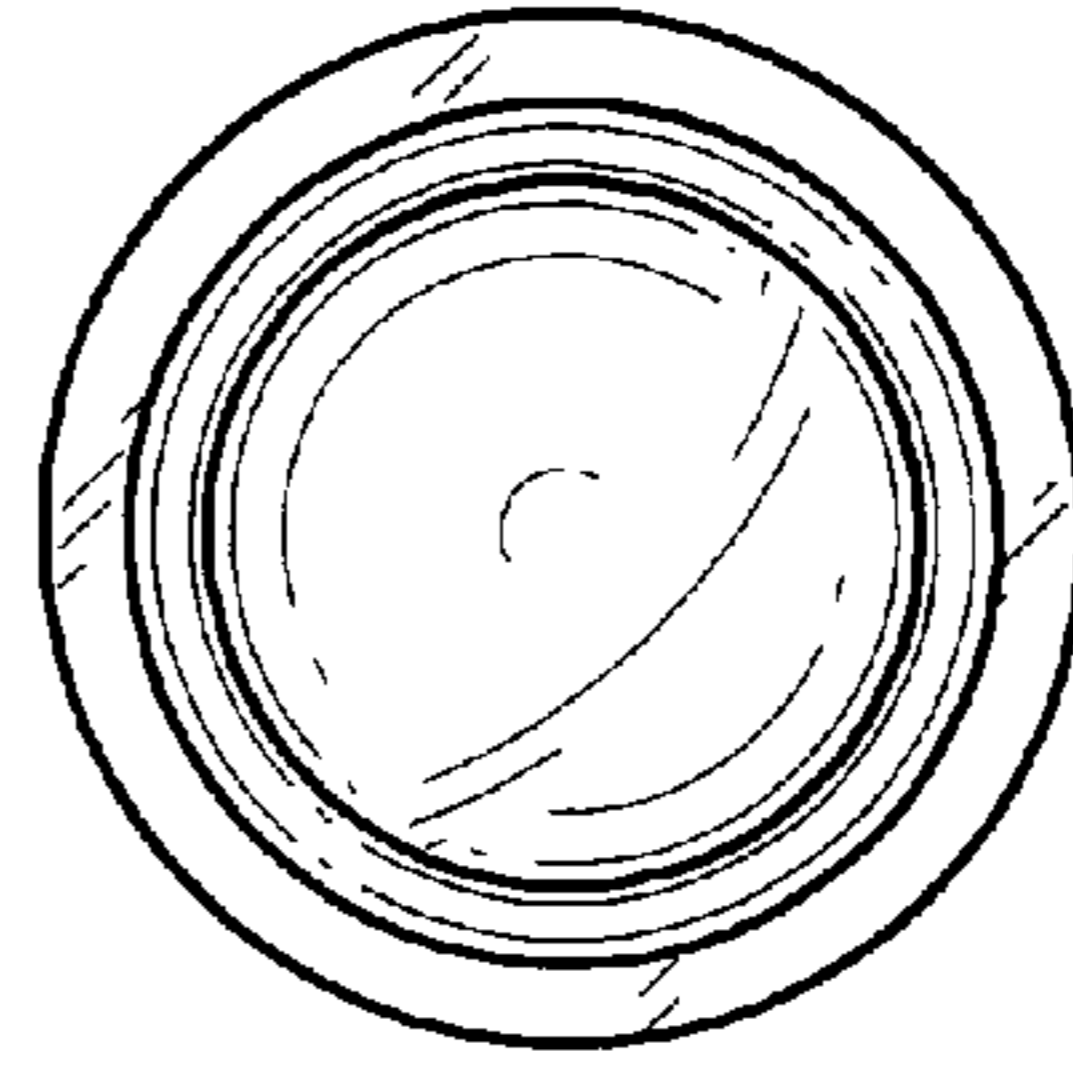


FIG. 3

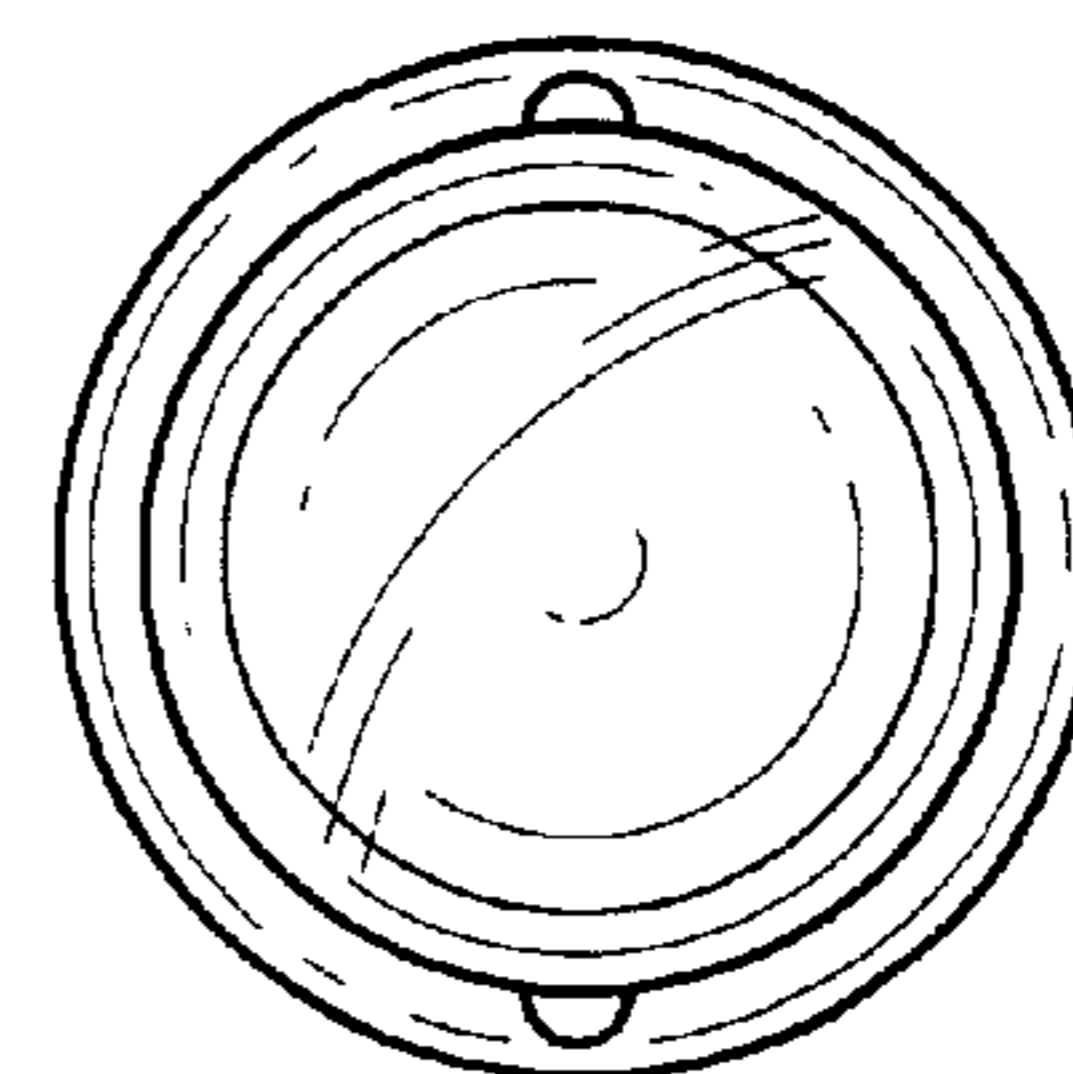


FIG. 4

