



US00D444567S

(12) **United States Design Patent**
Tang

(10) **Patent No.:** **US D444,567 S**

(45) **Date of Patent:** **** Jul. 3, 2001**

(54) **DENTAL DISPENSING TRAY**

(76) Inventor: **Brian Tang**, 2301 Alcalde St., Santa Clara, CA (US) 95054

(**) Term: **14 Years**

(21) Appl. No.: **29/116,937**

(22) Filed: **Jan. 13, 2000**

(51) **LOC (7) Cl.** **24-02**

(52) **U.S. Cl.** **D24/221; D24/176; D24/230**

(58) **Field of Search** D24/221, 226, D24/224, 227, 230, 216, 176; 206/63.5, 564, 563, 562, 368; 433/77, 163; D7/553, 555

1,875,680 9/1932 Van Horn .
 2,008,206 7/1935 Grant .
 2,016,597 10/1935 Drake .
 2,153,554 4/1939 Fitzgerald .
 2,366,671 1/1945 Montelius .
 2,511,235 6/1950 Arwood .
 2,552,134 5/1951 Berliner .
 2,603,806 7/1952 Kisky .
 2,655,726 10/1953 Diener .
 2,677,843 5/1954 Berliner .
 2,818,647 1/1958 Berliner .
 3,050,072 8/1962 Diener .
 3,101,727 8/1963 Wiesman .
 3,309,773 3/1967 Weller .

(List continued on next page.)

Primary Examiner—Ian Simmons
 (74) *Attorney, Agent, or Firm*—Pennie & Edmonds LLP

(56) **References Cited**

U.S. PATENT DOCUMENTS

D. 53,958 10/1919 Zurbrigg .
 D. 234,189 * 1/1975 Hesselgren D24/224
 D. 253,372 * 11/1979 Mayclin D24/221
 D. 306,067 2/1990 Bogdanoff et al. .
 D. 335,347 5/1993 McKeown .
 D. 336,517 6/1993 McKeown .
 D. 405,179 2/1999 Kirsch et al. .
 448,647 3/1891 Freeman .
 516,409 3/1894 Southwell .
 567,589 9/1896 Fredericks .
 792,471 6/1905 Smith .
 1,048,740 12/1912 Sarrazin .
 1,138,355 5/1915 Carr .
 1,369,582 2/1921 Wagner .
 1,397,395 11/1921 Bixler .
 1,402,525 1/1922 Moseler .
 1,446,906 2/1923 Kelsey .
 1,468,125 9/1923 Nielsen .
 1,503,610 8/1924 Smith .
 1,527,028 2/1925 Daniel .
 1,586,302 5/1926 Funk .
 1,658,706 2/1928 Carrott .
 1,723,226 8/1929 Withycombe .
 1,784,986 12/1930 Eisenberg .
 1,796,367 3/1931 Grove .
 1,844,913 2/1932 Hallowell .

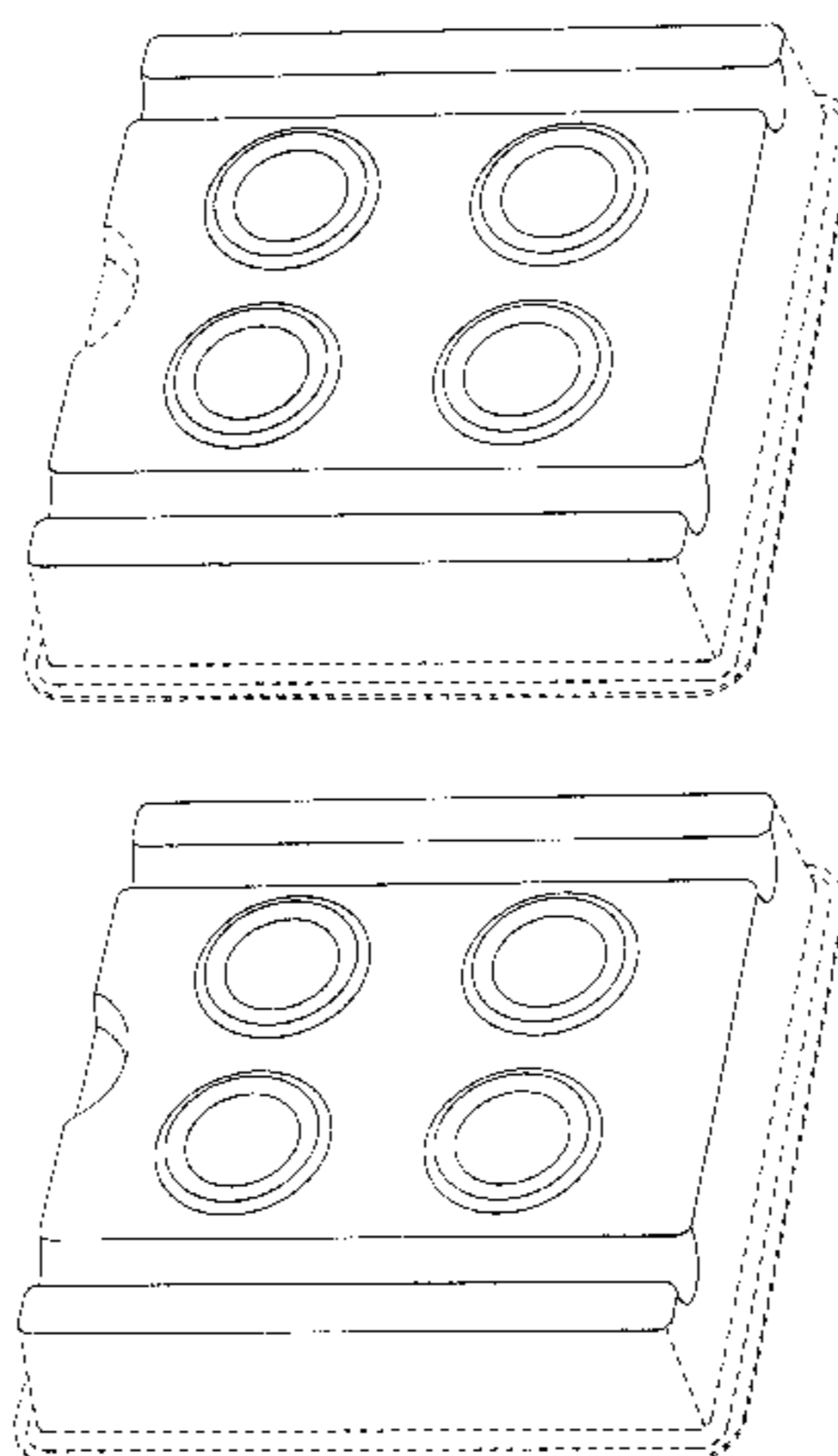
(57) **CLAIM**

The ornamental design for a dental dispensing tray, as shown and described.

DESCRIPTION

FIG. 1 is a perspective view of one embodiment of the dental dispensing tray in accordance with invention;
 FIG. 2 is a top plan view of the dental dispensing tray of FIG. 1;
 FIG. 3 is a cross-sectional view of the dispensing tray taken along line 3—3 in FIG. 2;
 FIG. 4 is a cross-sectional view of the dispensing tray taken along line 4—4 in FIG. 2;
 FIG. 5 is a perspective view of another embodiment of the dental dispensing tray in accordance with the invention;
 FIG. 6 is a top plan view of the dental dispensing tray of FIG. 5;
 FIG. 7 is a cross-sectional view of the dispensing tray taken along line 7—7 in FIG. 6; and,
 FIG. 8 is a cross-sectional view of the dispensing tray taken along line 8—8 in FIG. 6.
 The broken lines are for illustrative purposes and form no part of the claimed design.

1 Claim, 4 Drawing Sheets



US D444,567 S

Page 2

U.S. PATENT DOCUMENTS

3,605,765	9/1971	Canby .	4,913,176	4/1990	DeNiro .
3,754,295	8/1973	Hyman .	4,988,295	1/1991	Kline .
3,759,375	9/1973	Nappi .	5,004,419	4/1991	Kline .
3,910,293	10/1975	Lemelson .	5,024,600	6/1991	Kline .
3,935,640	2/1976	Cohan .	5,106,297 *	4/1992	Discko, Jr. 433/77
3,978,872	9/1976	Bond .	5,127,833	7/1992	Kline .
4,060,897	12/1977	Greenstein .	5,161,971	11/1992	Neiner et al. .
4,135,528	1/1979	Stark .	5,169,313	12/1992	Kline .
4,150,457	4/1979	Larson .	5,169,314	12/1992	Long .
4,314,574	2/1982	Inerte .	5,234,009	8/1993	Lemon et al. .
4,524,478	6/1985	Ross .	5,383,244	1/1995	Ahrens et al. .
4,577,649	3/1986	Shimenkov .	5,388,989	2/1995	Kountis .
4,643,676	2/1987	Jansheski .	5,459,898	10/1995	Bacolt .
4,651,760	3/1987	Reipur .	5,501,597	3/1996	Wilson .
4,679,272	7/1987	Florence .	5,522,109	6/1996	Chan .
4,743,198	5/1988	Kennedy .	5,564,148	10/1996	Prevost et al. .
4,759,713	7/1988	Heiss et al. .	5,704,468 *	1/1998	Lust et al. 206/5.1
4,777,725	10/1988	Hirsch .	5,749,730 *	5/1998	Johnsen et al. 433/163
4,795,344	1/1989	Brewer, Jr. .	5,758,380	6/1998	Vrignaud .
4,828,117	5/1989	Panzera et al. .	5,816,806	10/1998	Herbst et al. .
4,832,061	5/1989	Hwang .	5,823,208	10/1998	Lin .
4,846,200	7/1989	Wiley .	5,842,247	12/1998	Decesare .
4,852,738	8/1989	Craig et al. .	5,882,195	3/1999	Low et al. .
4,882,867	11/1989	Linden .	5,913,682	6/1999	Strate .
4,911,187	3/1990	Castillo .			

* cited by examiner

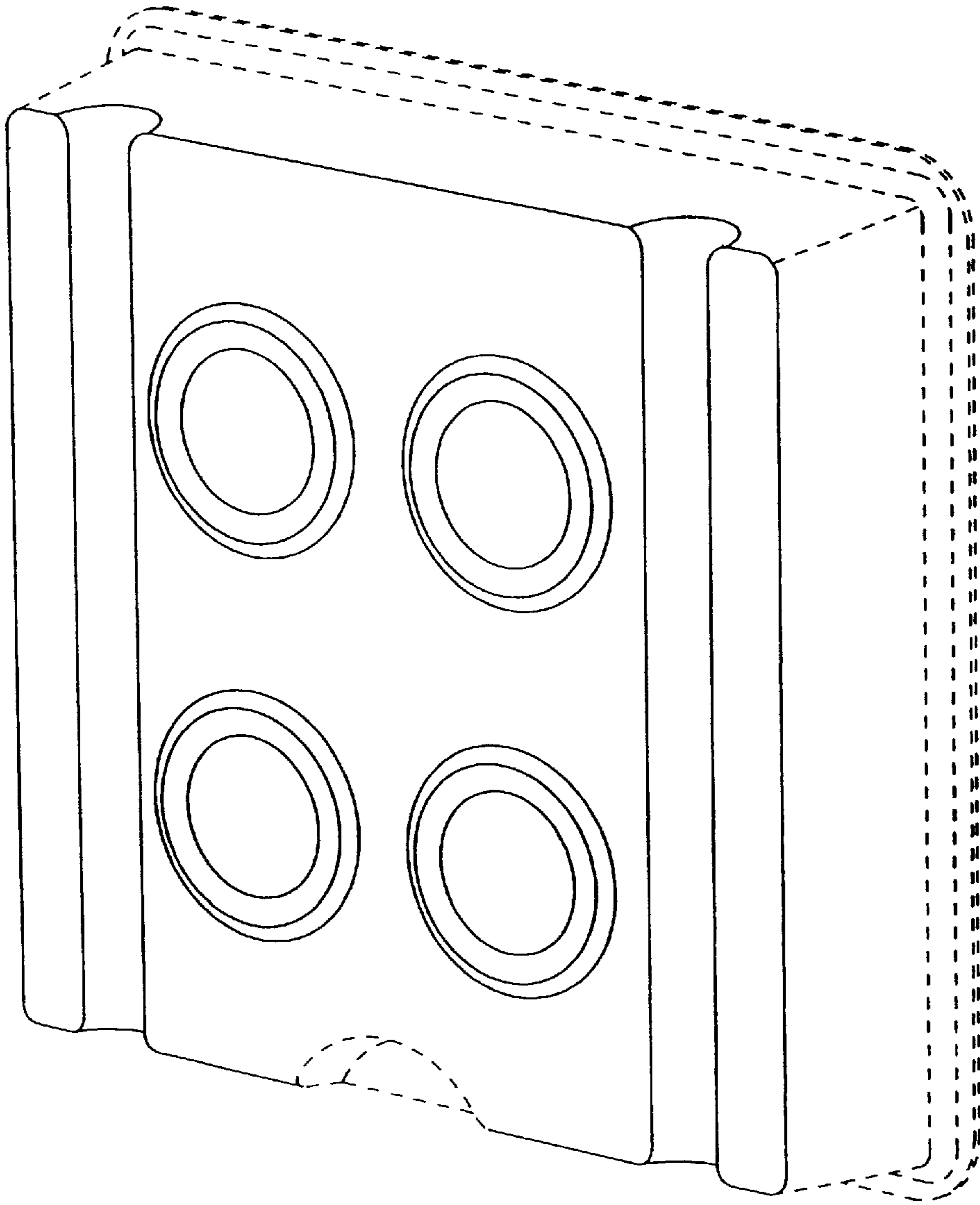


Fig. 1

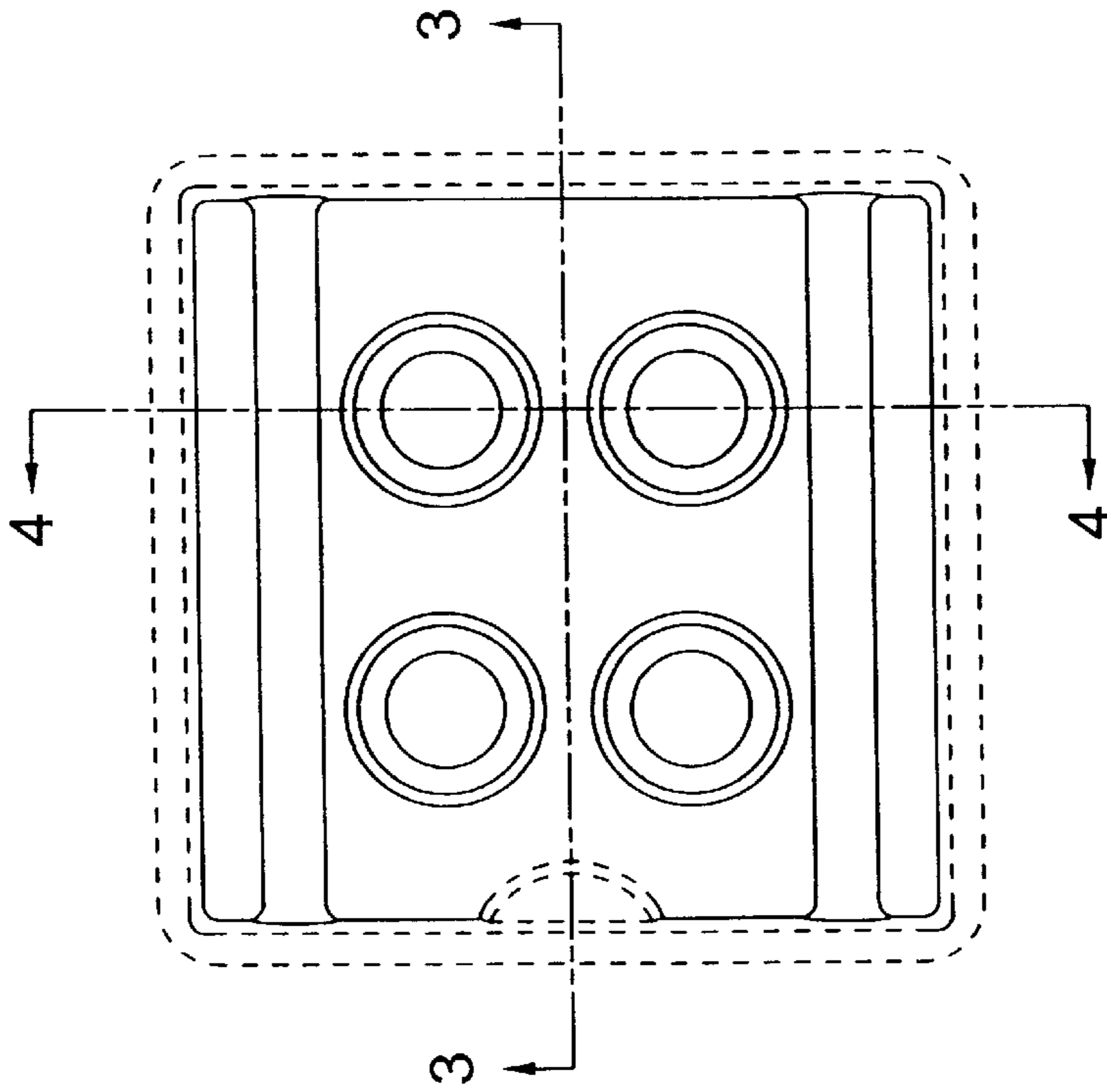


Fig. 2

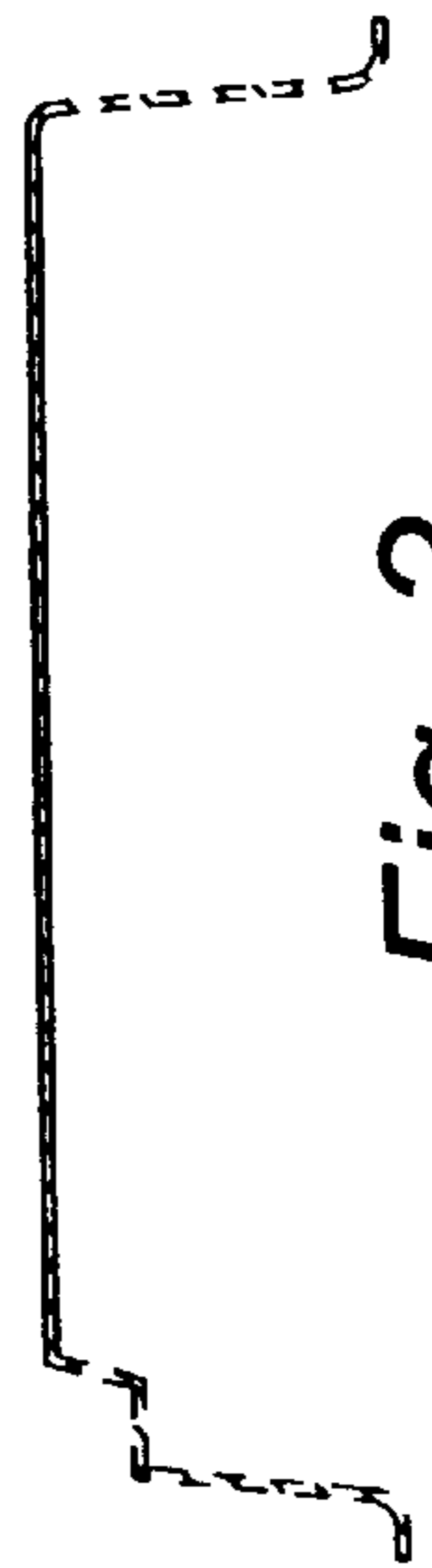


Fig. 3

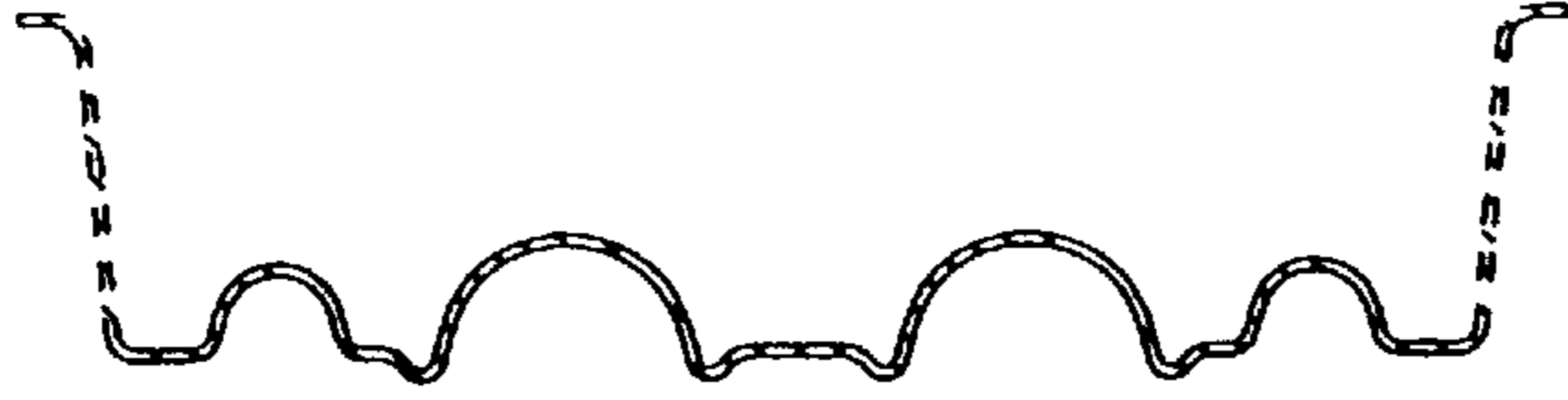


Fig. 4

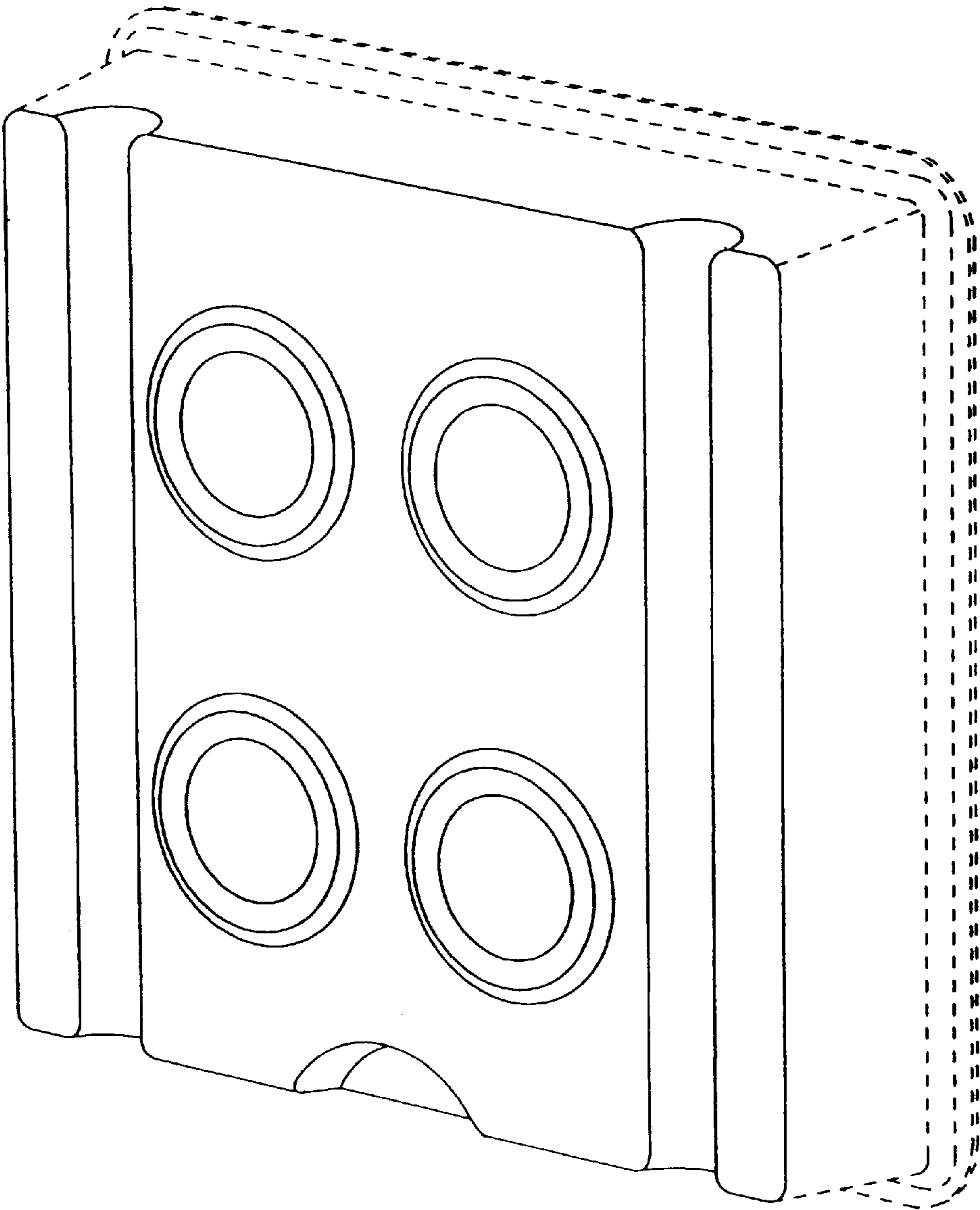


Fig. 5

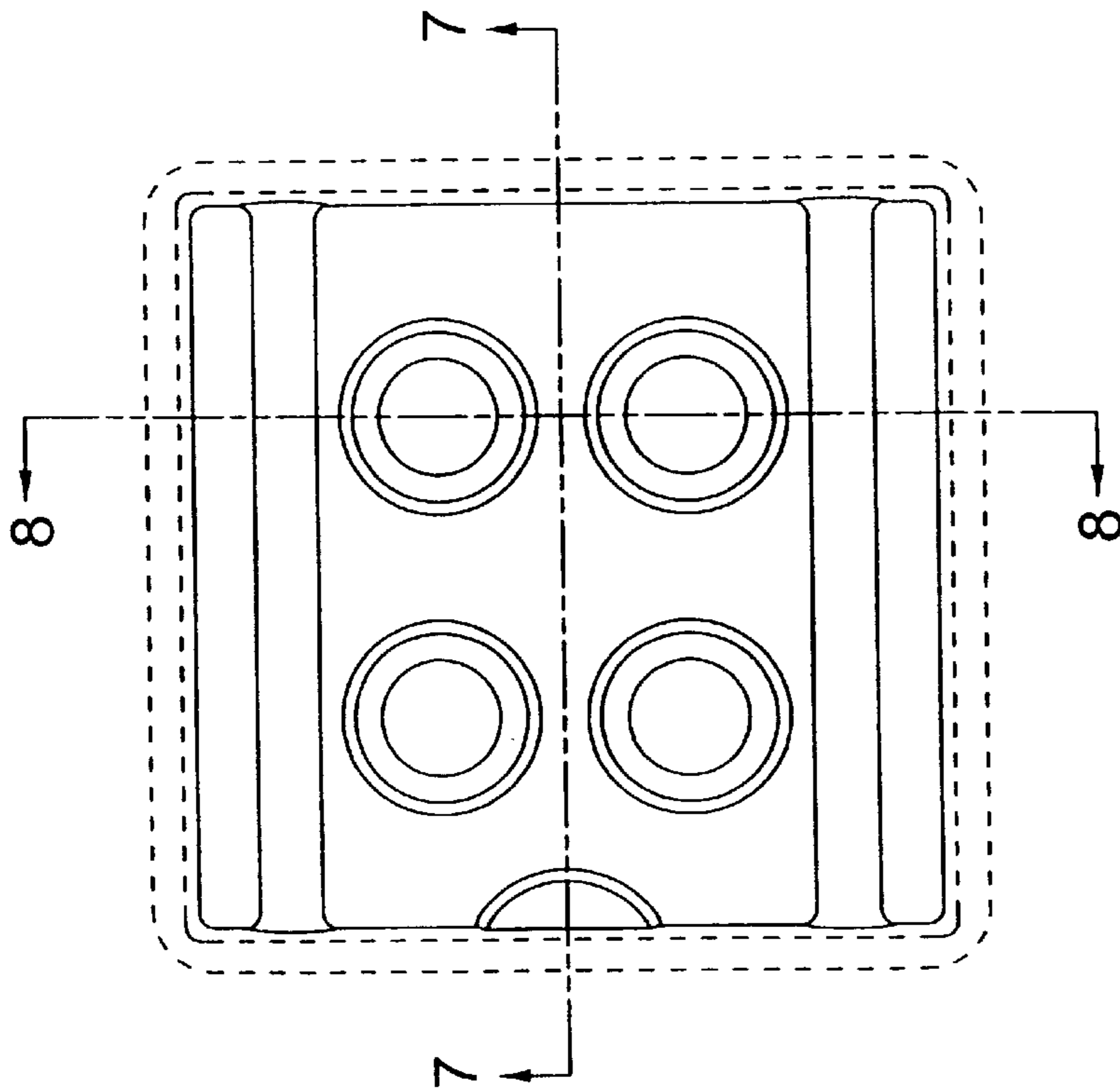


Fig. 6

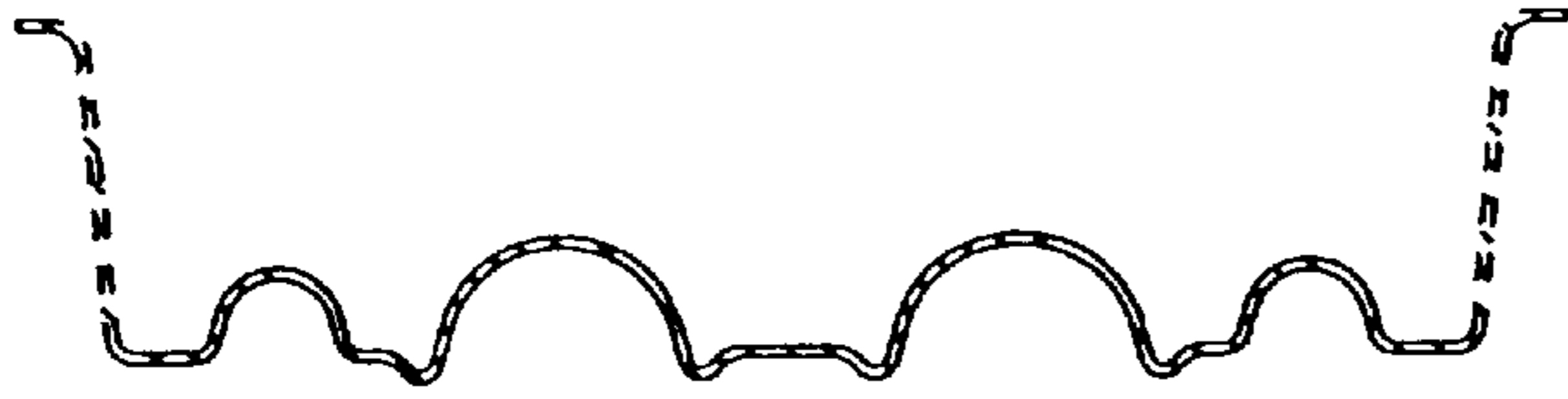


Fig. 8



Fig. 7