



US00D444565S

(12) **United States Design Patent**
Devenish

(10) **Patent No.:** **US D444,565 S**

(45) **Date of Patent:** **** Jul. 3, 2001**

(54) **MOULDED SPA SURROUND**

* cited by examiner

(76) Inventor: **Russell John Devenish**, 5 Nortons Lane, Wantirna South, Victoria 3152 (AU)

Primary Examiner—Stella Reid
(74) *Attorney, Agent, or Firm*—Larson & Taylor PLC

(**) Term: **14 Years**

(57) **CLAIM**

The ornamental design for “a moulded spa surround”, as shown and described.

(21) Appl. No.: **29/129,335**

(22) Filed: **Sep. 14, 2000**

DESCRIPTION

(51) **LOC (7) Cl.** **24-04**

FIG. 1 is a perspective view of a moulded spa surround, showing my new design;

(52) **U.S. Cl.** **D24/204**

FIG. 2 is a side view thereof taken in the direction of either arrow 2.

(58) **Field of Search** D24/204, 205, D24/201; 4/541.1, 541.2, 541.3, 541.4, 541.5, 541.6; D25/2, 60

FIG. 3 is a side view thereof taken in the direction of either arrow 3.

(56) **References Cited**

FIG. 4 is a top plan view thereof;

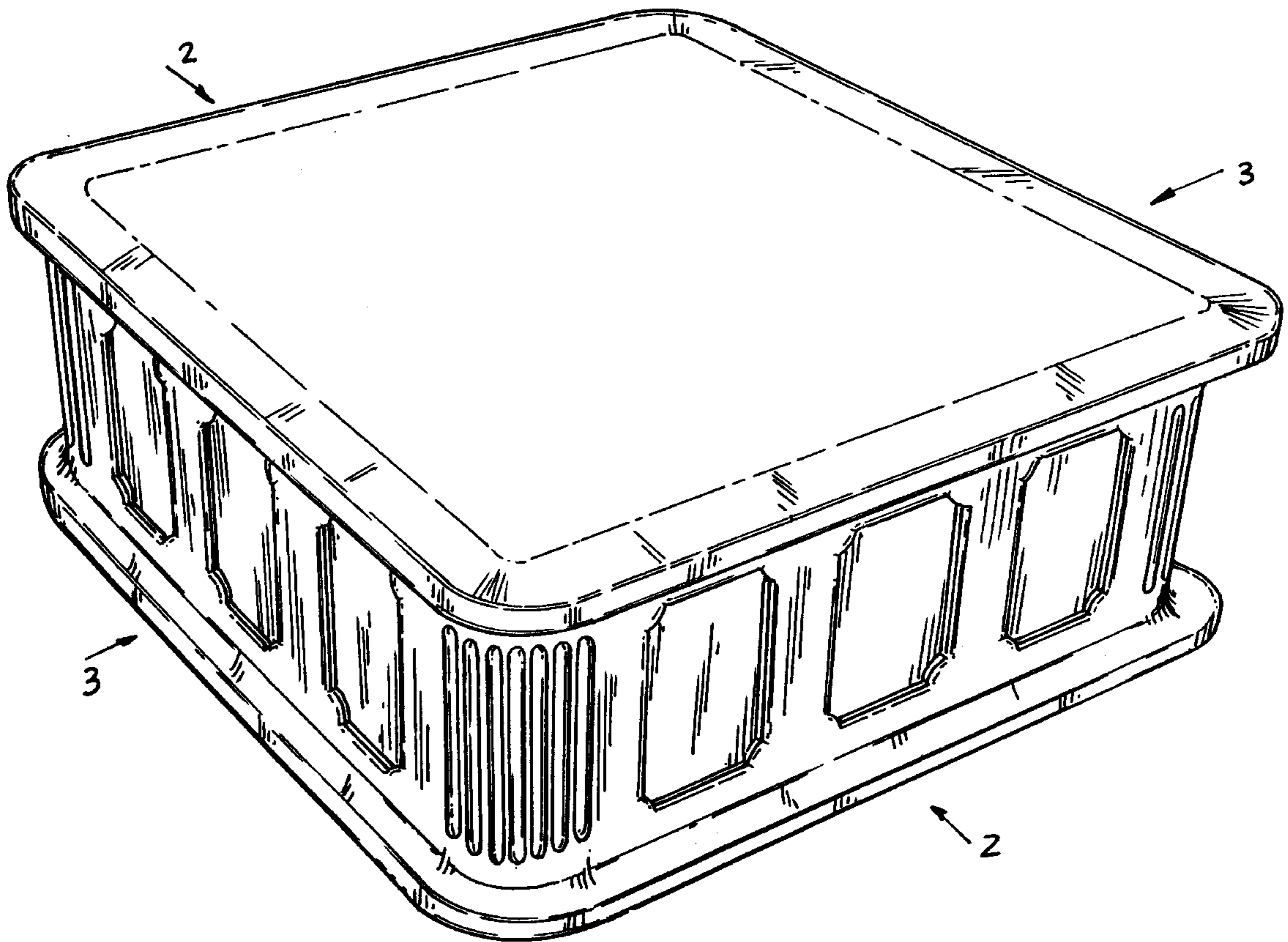
FIG. 5 is a bottom view thereof; and,

FIG. 6 is a cross-sectional view thereof, taken along line 6—6 of FIG. 3.

U.S. PATENT DOCUMENTS

- D. 278,183 * 3/1985 Myers D24/204
- D. 288,125 * 2/1987 Watkins D24/204
- 3,631,544 * 1/1972 Tytel 4/506

1 Claim, 5 Drawing Sheets



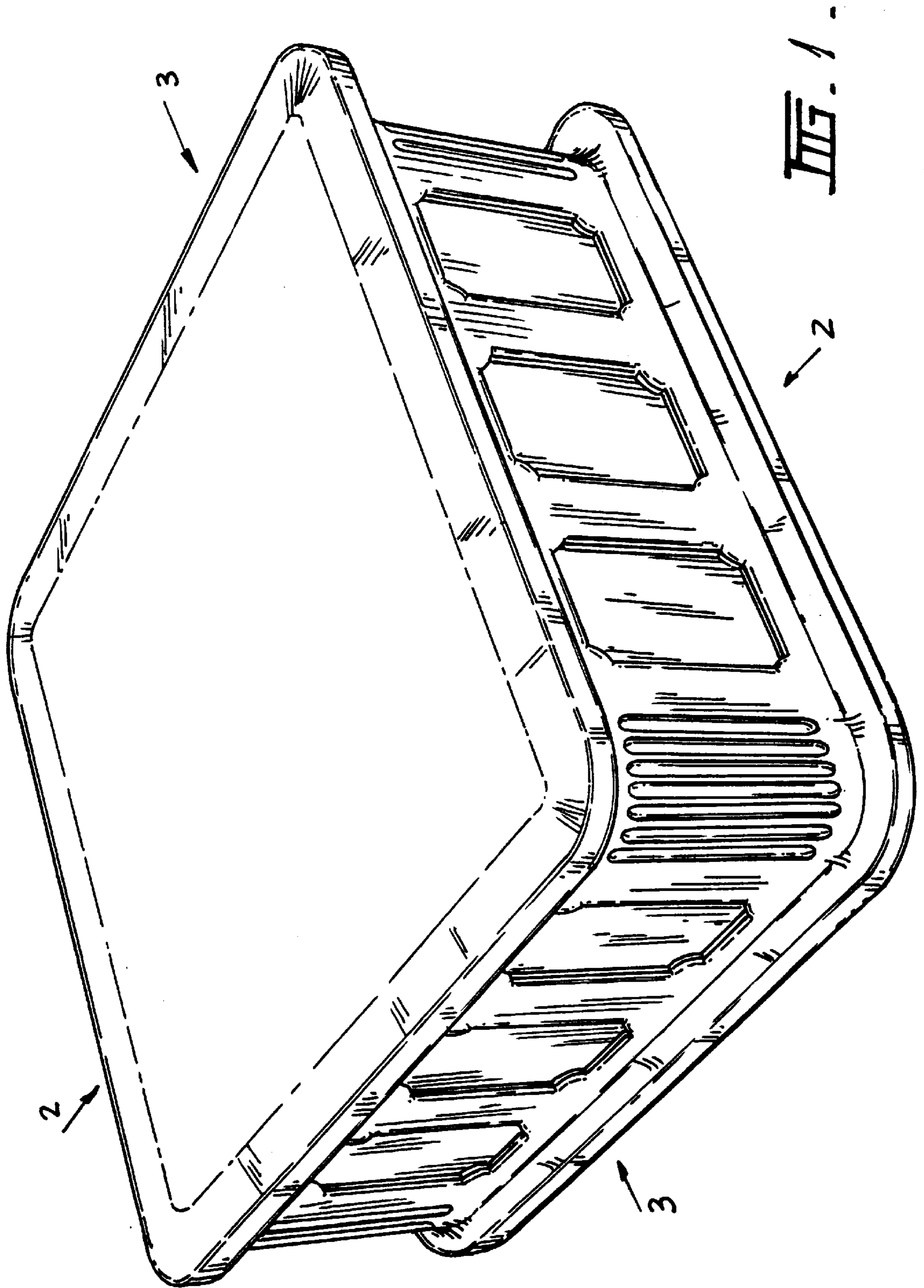


FIG. 2.

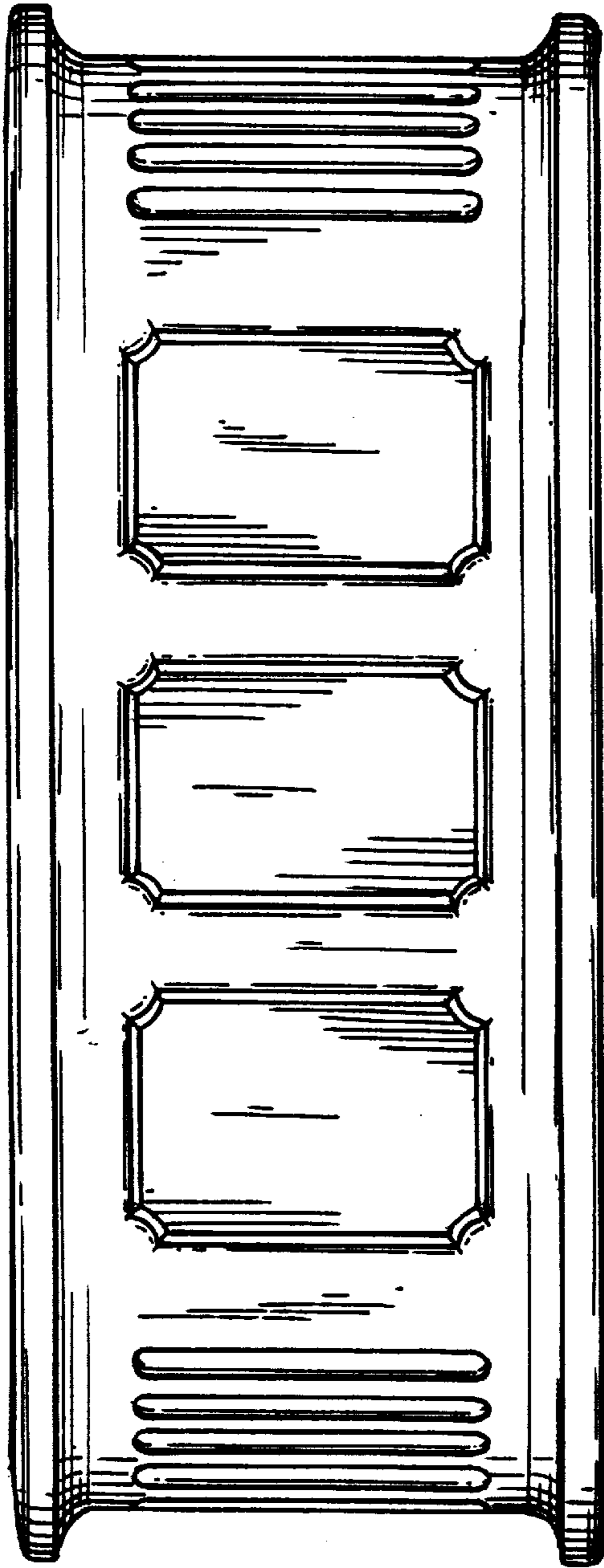
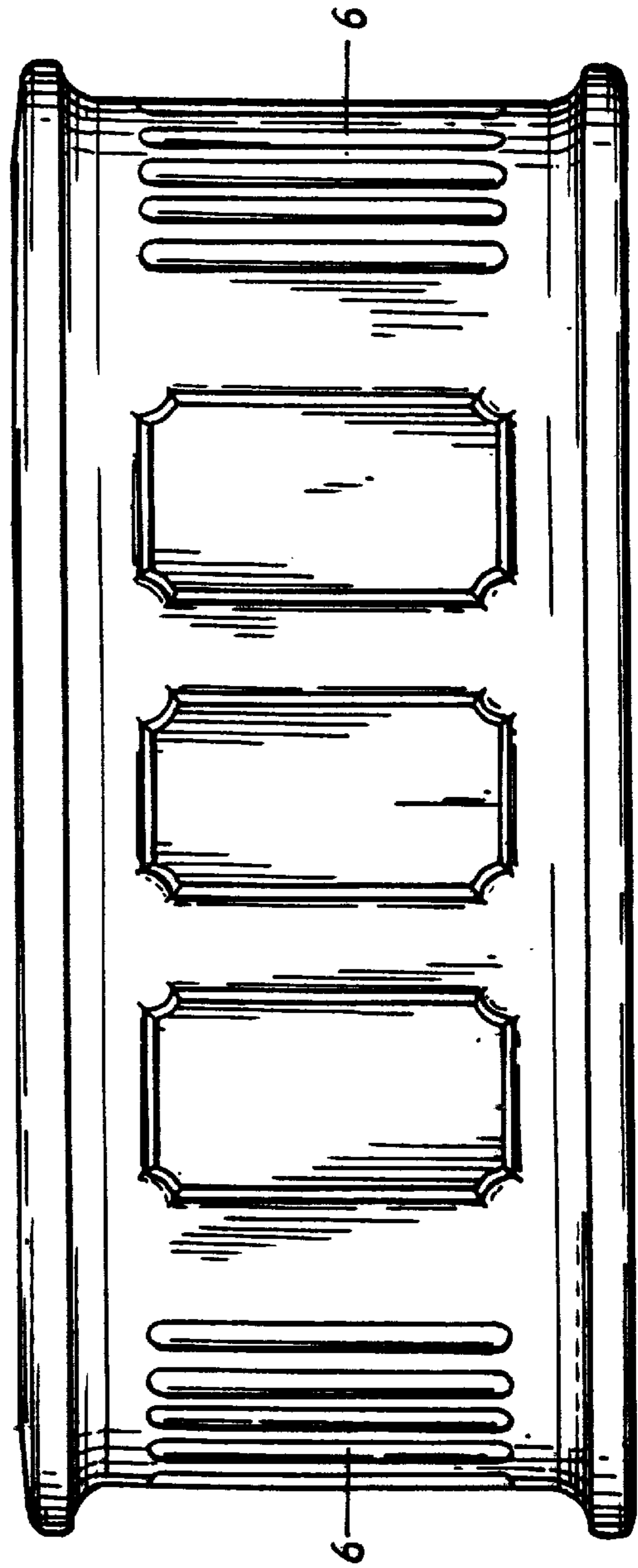


FIG. 3.



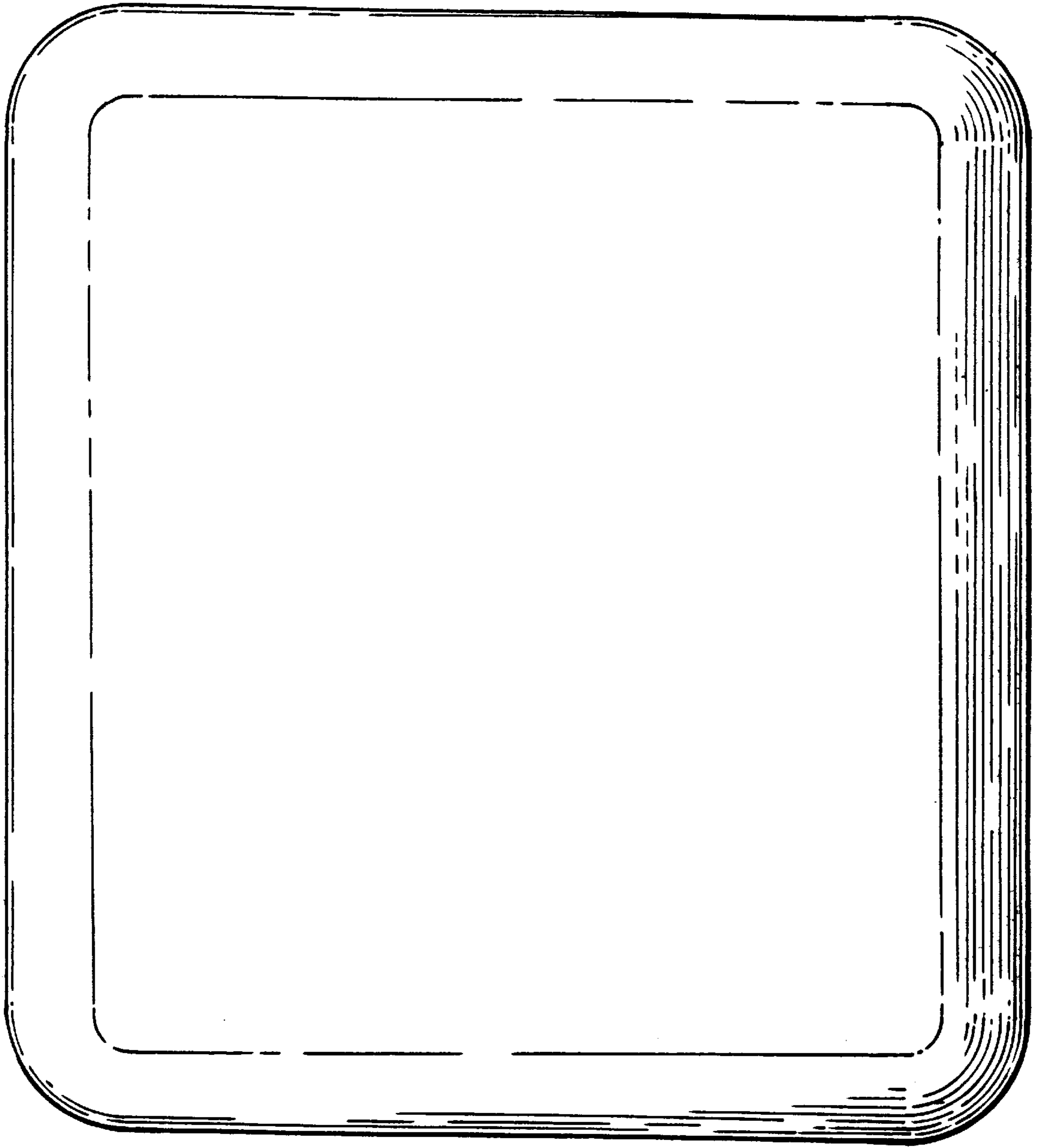


FIG. 4.

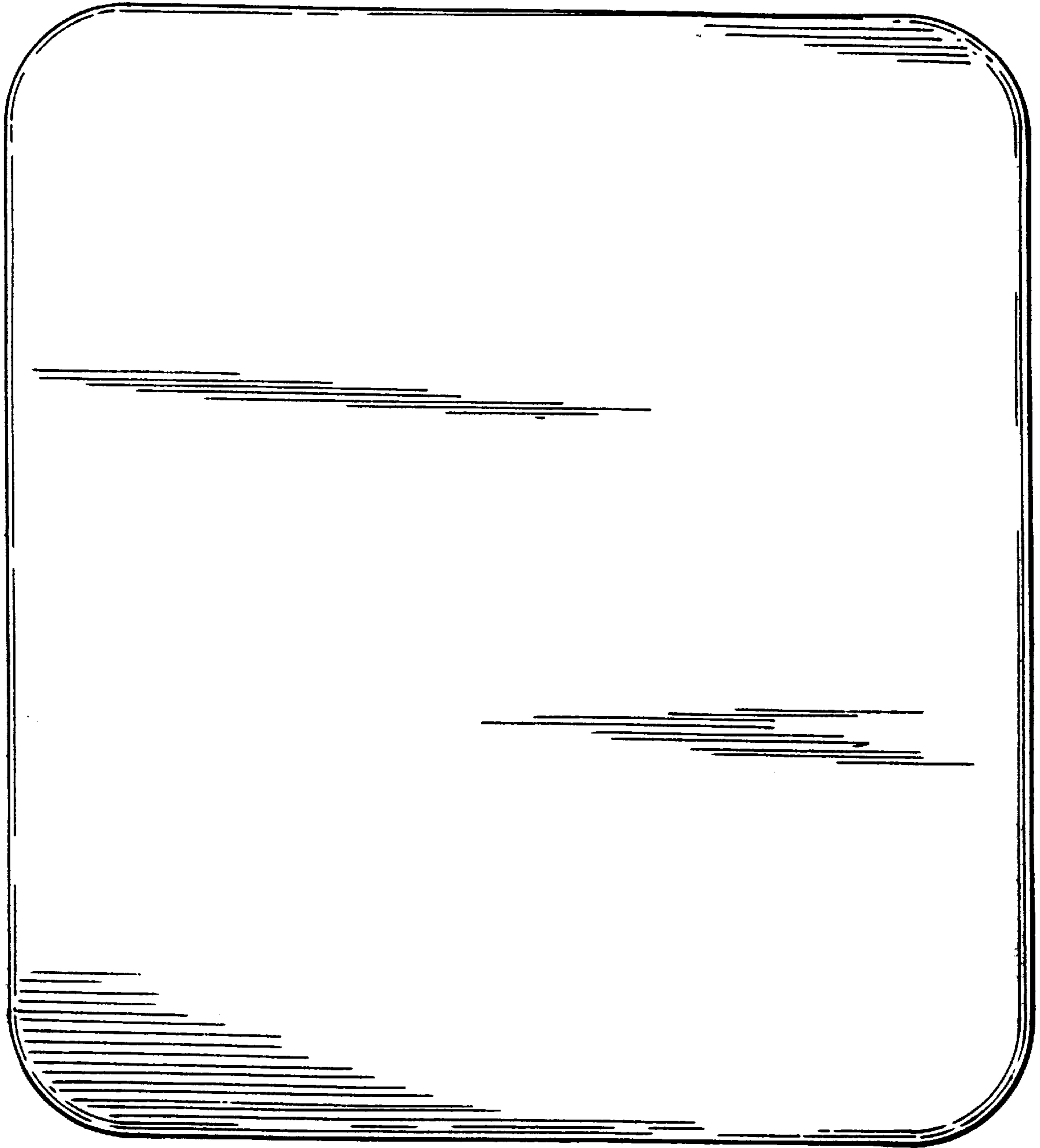


FIG. 5.

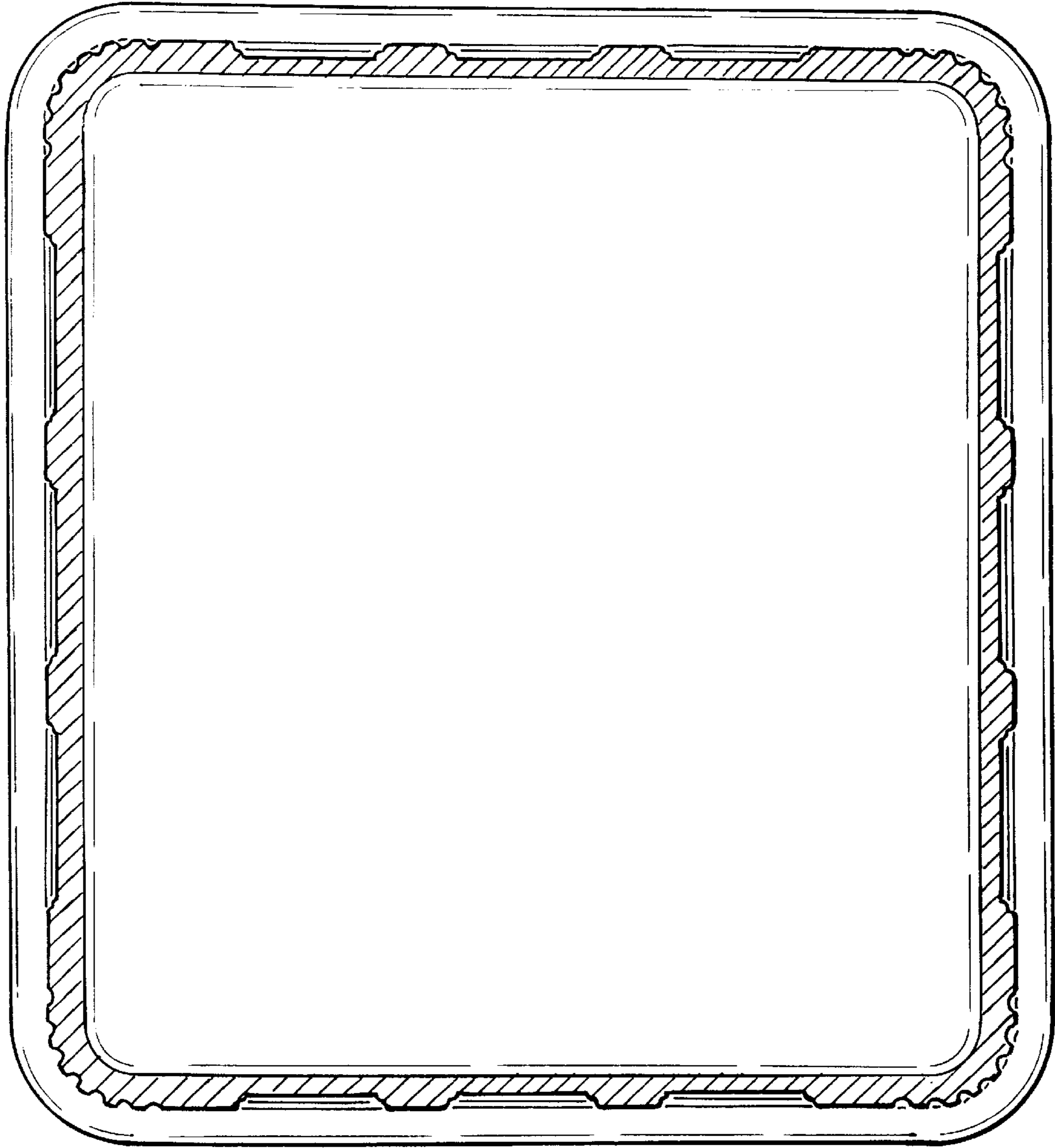


FIG. 6.