



US00D444559S

(12) **United States Design Patent**
Huffman

(10) **Patent No.:** **US D444,559 S**

(45) **Date of Patent:** **** Jul. 3, 2001**

(54) **DENTAL MODEL BASE**

6,132,208 * 10/2000 Mathieu 433/6

(76) Inventor: **Ronald E. Huffman**, 725 Country
Wood Way, Sapulpa, OK (US) 74066

FOREIGN PATENT DOCUMENTS

(**) Term: **14 Years**

- 3436094 A1 3/1985 (DE) .
- 3505680 A1 7/1985 (DE) .
- 3521137 A1 12/1986 (DE) .
- 3825014 A1 1/1990 (DE) .
- 0 151 086 A2 8/1985 (EP) .
- 0 210 484 A2 2/1987 (EP) .
- 0 291 821 A1 11/1988 (EP) .
- 0 528 335 A1 2/1993 (EP) .
- 886118 1/1962 (GB) .
- WO 88/10101 12/1988 (WO) .

(21) Appl. No.: **29/123,896**

(22) Filed: **May 26, 2000**

(51) **LOC (7) Cl.** **24-01**

(52) **U.S. Cl.** **D24/181**

(58) **Field of Search** D15/180, 181,
D15/176; 433/6, 64, 74, 213; 128/861,
862

* cited by examiner

Primary Examiner—Antoine Duval Davis

(74) *Attorney, Agent, or Firm*—Merchant & Gould P.C.

(56) **References Cited**

U.S. PATENT DOCUMENTS

- D. 429,815 8/2000 Huffman .
- D. 430,672 9/2000 Huffman .
- 4,721,464 1/1988 Roden et al. .
- 4,767,330 8/1988 Burger .
- 4,767,331 8/1988 Hoe .
- 4,898,359 2/1990 Gopon .
- 5,028,235 7/1991 Smith .
- 5,049,075 9/1991 Barrut .
- 5,098,290 3/1992 Honstein et al. .
- 5,197,874 3/1993 Silva et al. .
- 5,207,574 5/1993 Garland .
- 5,352,117 10/1994 Silva .
- 5,393,227 2/1995 Nooning .
- 5,466,152 11/1995 Walter .
- 5,611,355 * 3/1997 Hilton 128/861

(57) **CLAIM**

The ornamental design for a dental model base, as shown and described.

DESCRIPTION

FIG. 1 is a right side, rear and top perspective view of the present invention.
 FIG. 2 is a front elevation view thereof.
 FIG. 3 is a rear elevation view thereof.
 FIG. 4 is a right side elevation view thereof.
 FIG. 5 is a left side elevation view thereof.
 FIG. 6 is a top plan view thereof; and,
 FIG. 7 is a bottom plan view thereof.

1 Claim, 3 Drawing Sheets

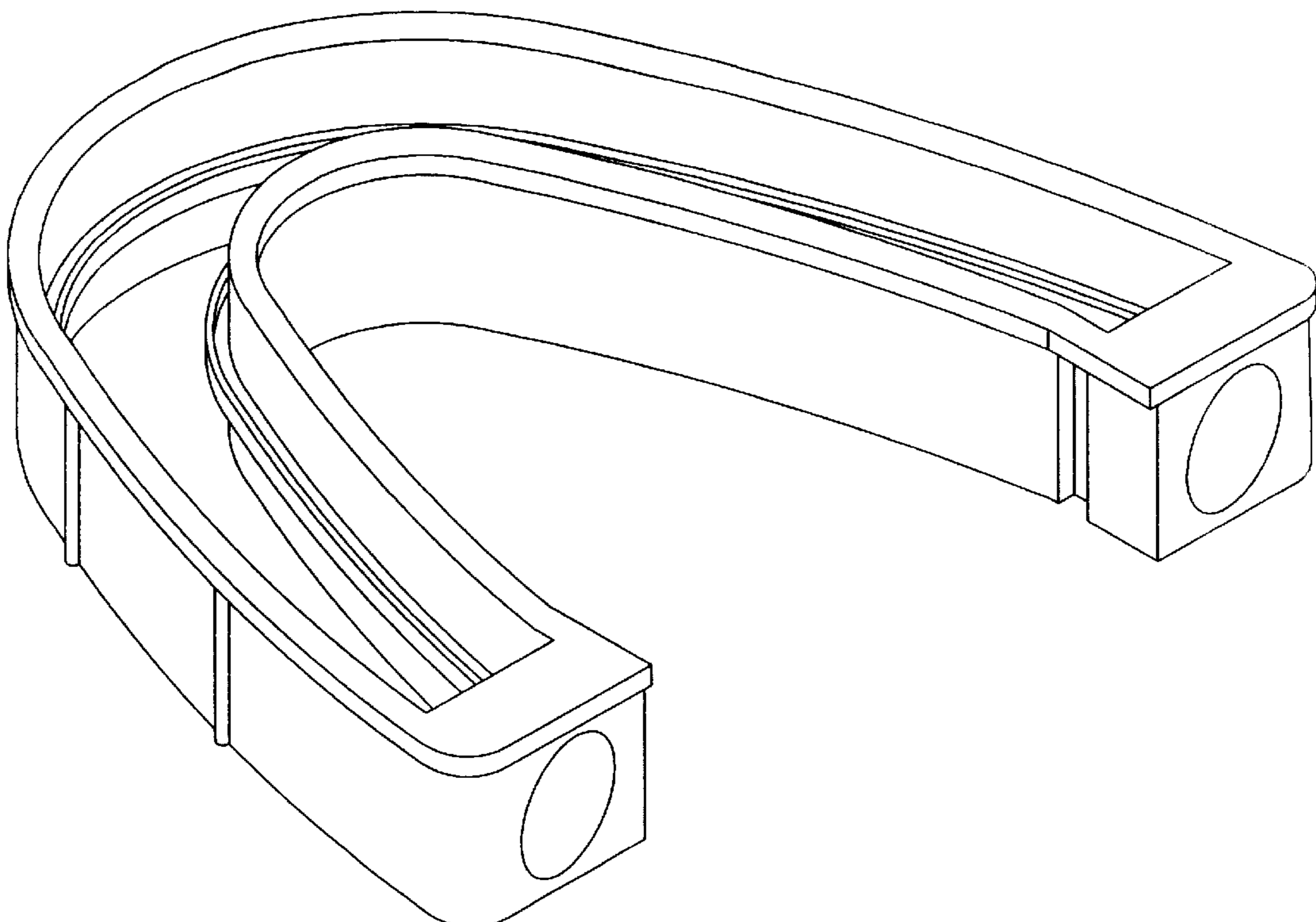


FIG. 1

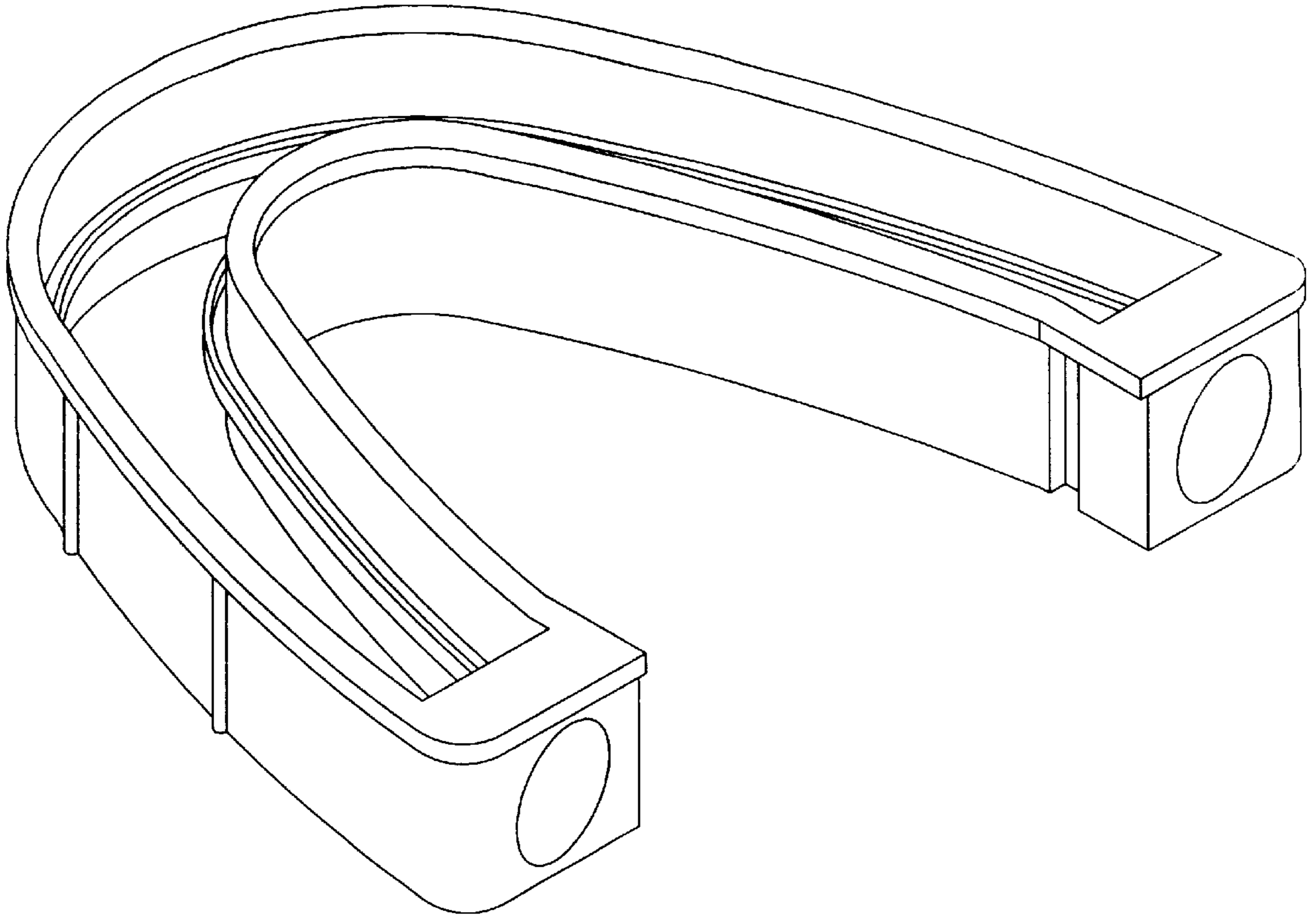


FIG. 2

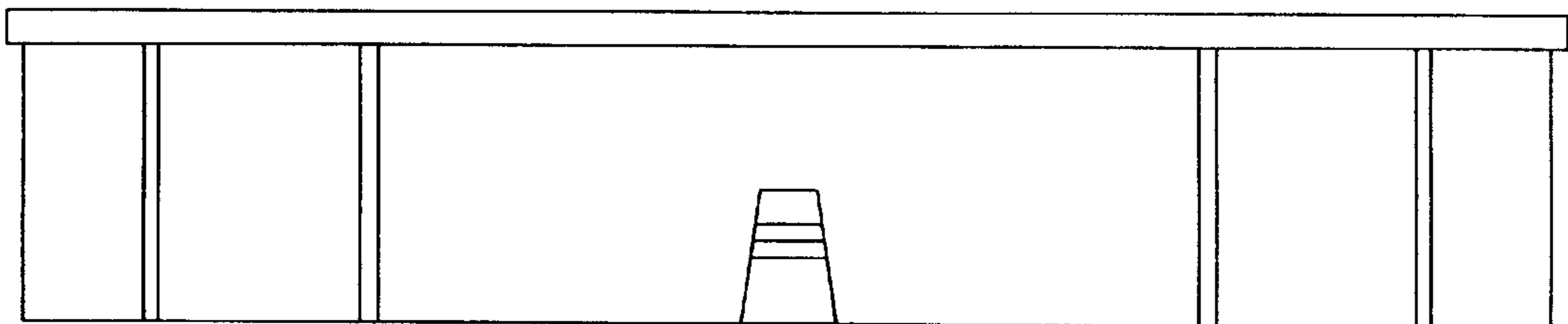


FIG. 3

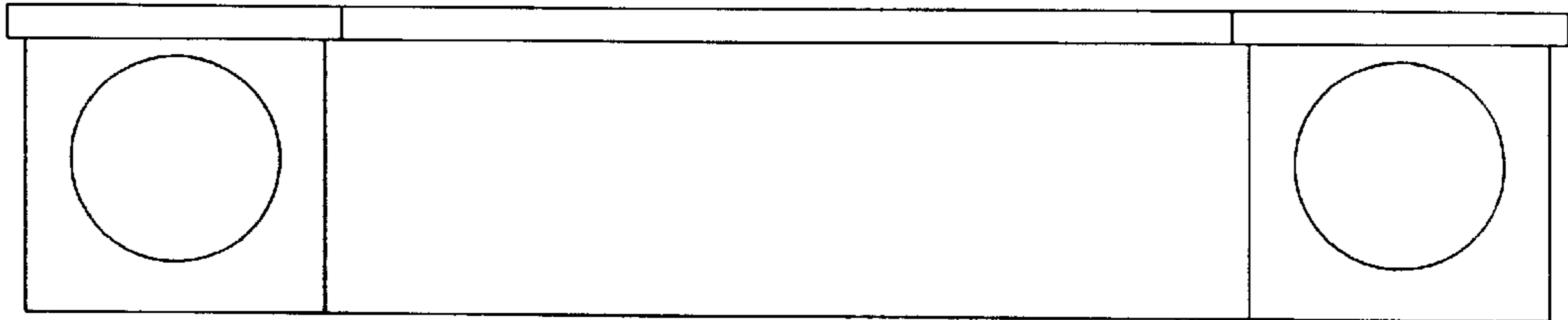


FIG. 4

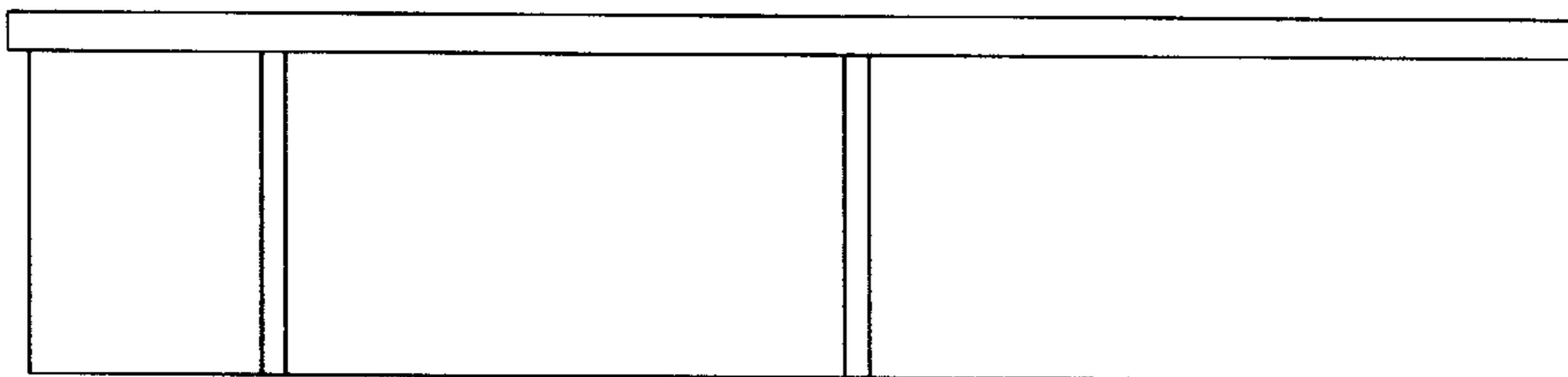


FIG. 5

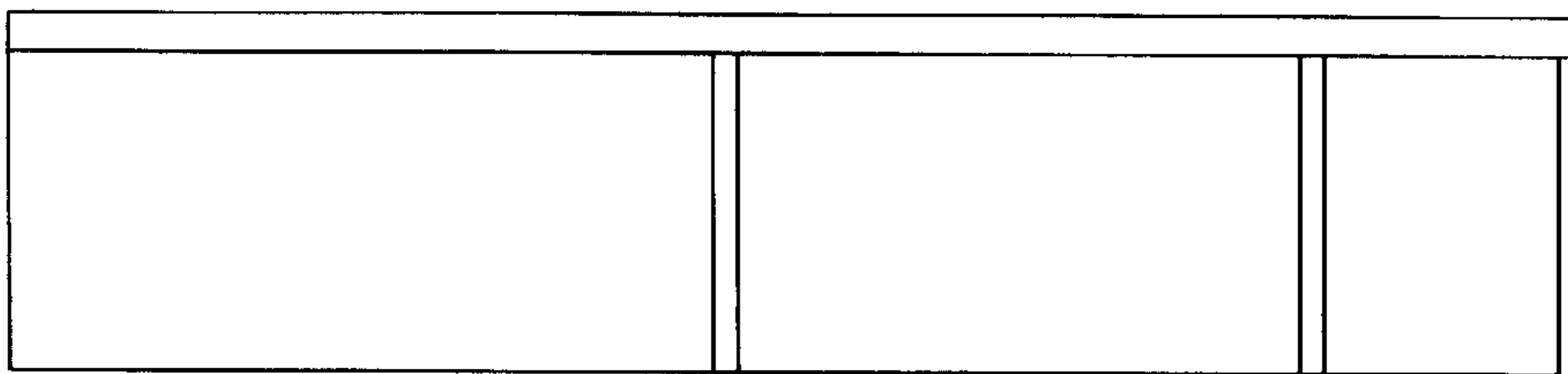


FIG. 6

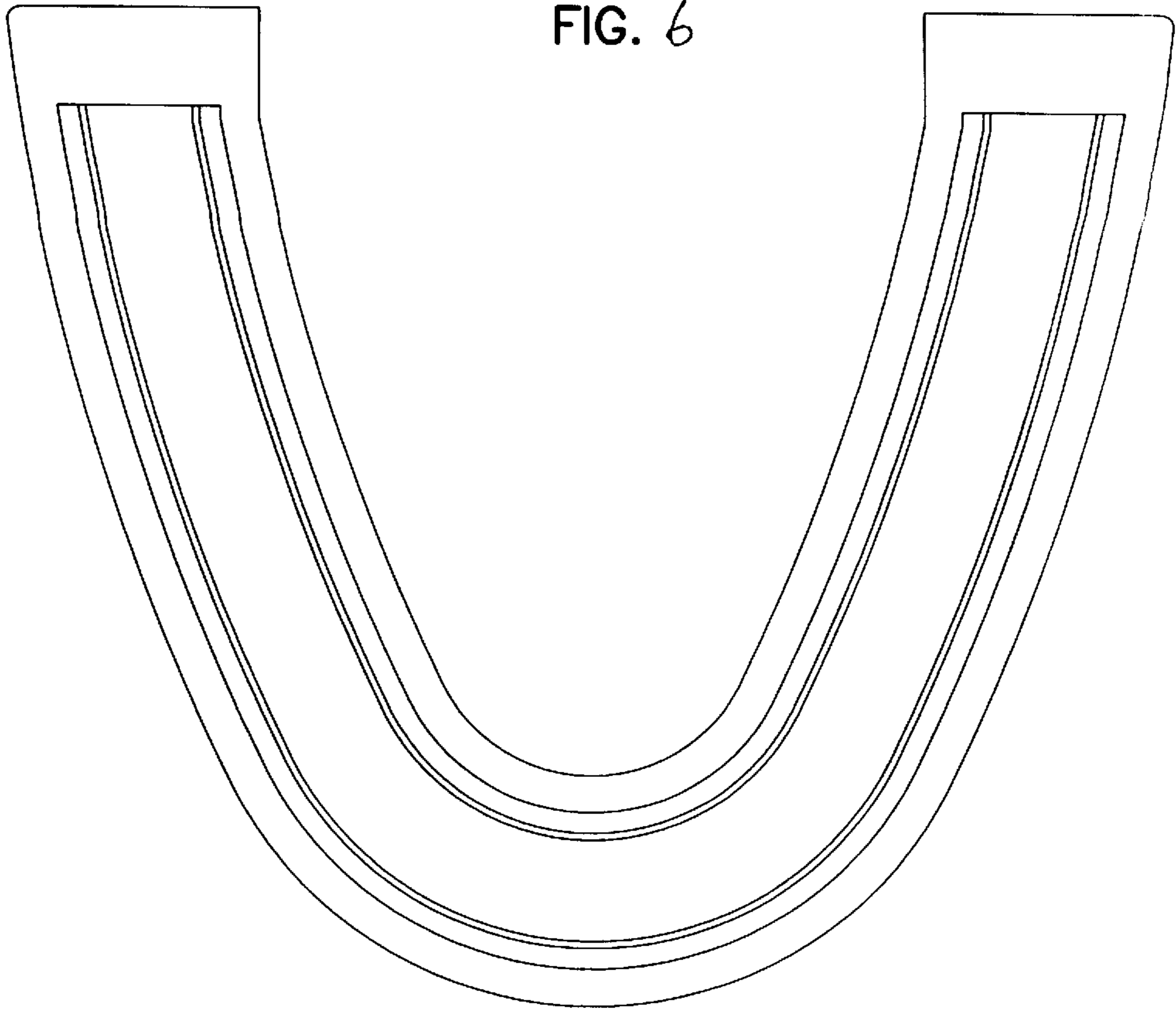


FIG. 7

