



US00D444552S

(12) **United States Design Patent**
Wang

(10) **Patent No.:** **US D444,552 S**

(45) **Date of Patent:** **** Jul. 3, 2001**

(54) **GALE FAN**

(76) Inventor: **Pierce Wang**, No. 46, Alley 26, Lane 667, Chung-Shan Rd., Shen-Kang Hsiang, Taichung Hsien (TW)

(**) Term: **14 Years**

(21) Appl. No.: **29/122,212**

(22) Filed: **Apr. 24, 2000**

(51) **LOC (7) Cl.** **23-04**

(52) **U.S. Cl.** **D23/382**

(58) **Field of Search** D23/411, 413, D23/412, 382, 381, 370, 332; 416/244 R, 247 R, 246

(56) **References Cited**

U.S. PATENT DOCUMENTS

D. 426,296 * 6/2000 Wang D23/382
5,295,811 * 3/1994 Chiu 416/247 R

* cited by examiner

Primary Examiner—Lisa Lichtenstein
(74) *Attorney, Agent, or Firm*—Bacon & Thomas, PLLC

(57) **CLAIM**

The ornamental design for a gale fan, as shown and described.

DESCRIPTION

FIG. 1 is a perspective view of a gale fan showing our new design thereof;

FIG. 2 is a front elevational view thereof;

FIG. 3 is a rear elevational view thereof;

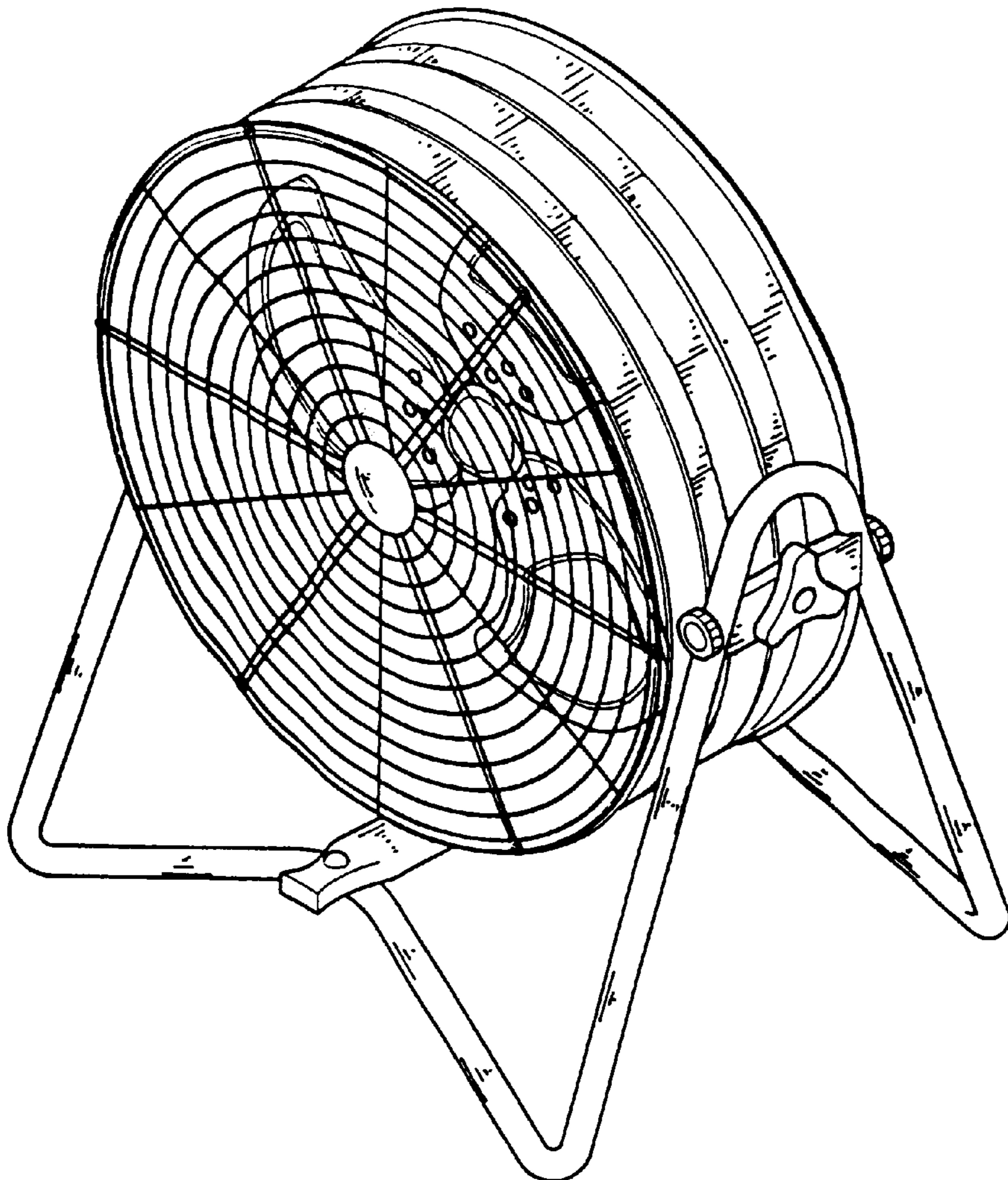
FIG. 4 is a left side elevational view thereof;

FIG. 5 is a right side elevational view thereof;

FIG. 6 is a top plan view thereof; and,

FIG. 7 is a bottom plan view thereof.

1 Claim, 7 Drawing Sheets



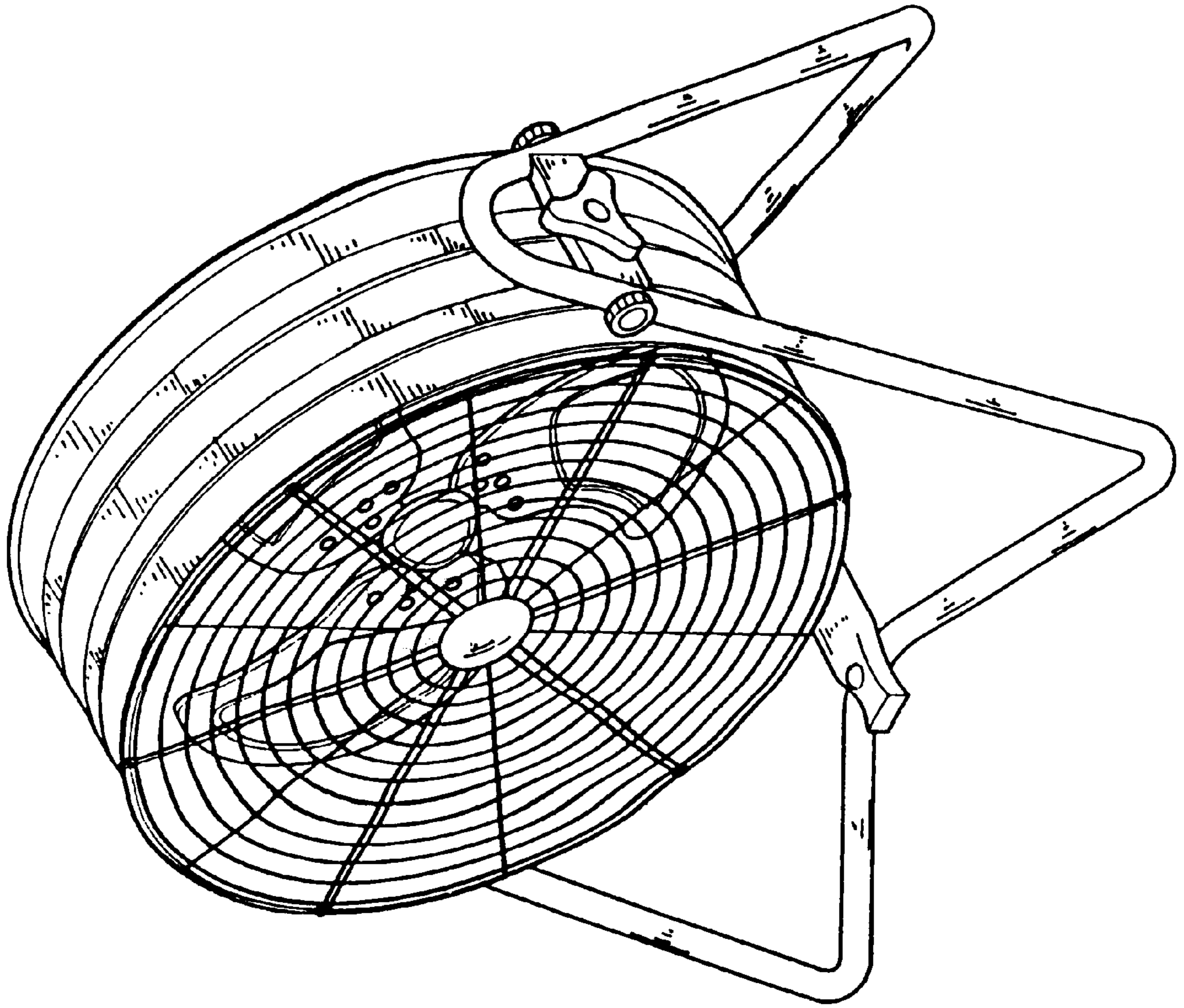


FIG. 1

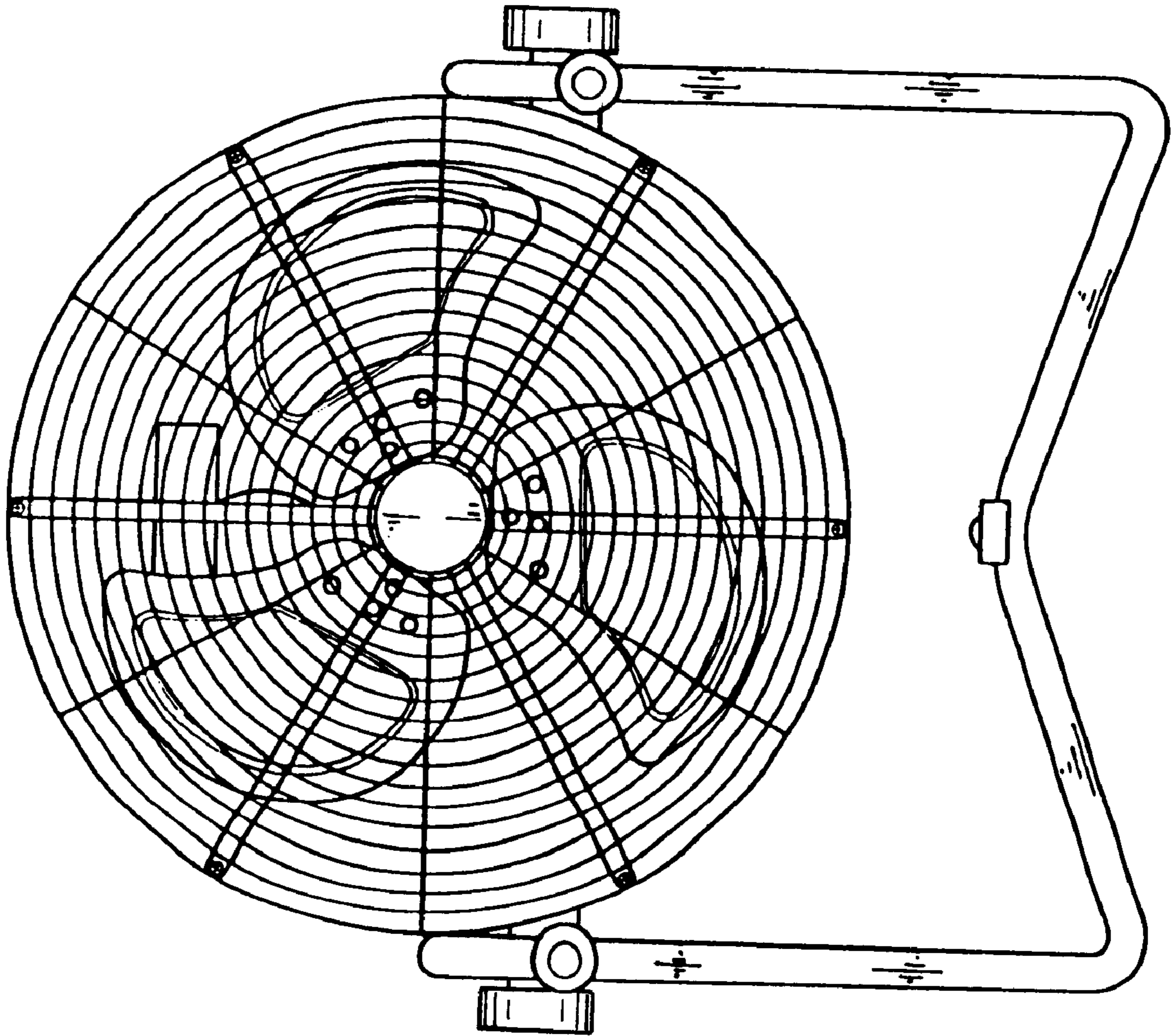


FIG. 2

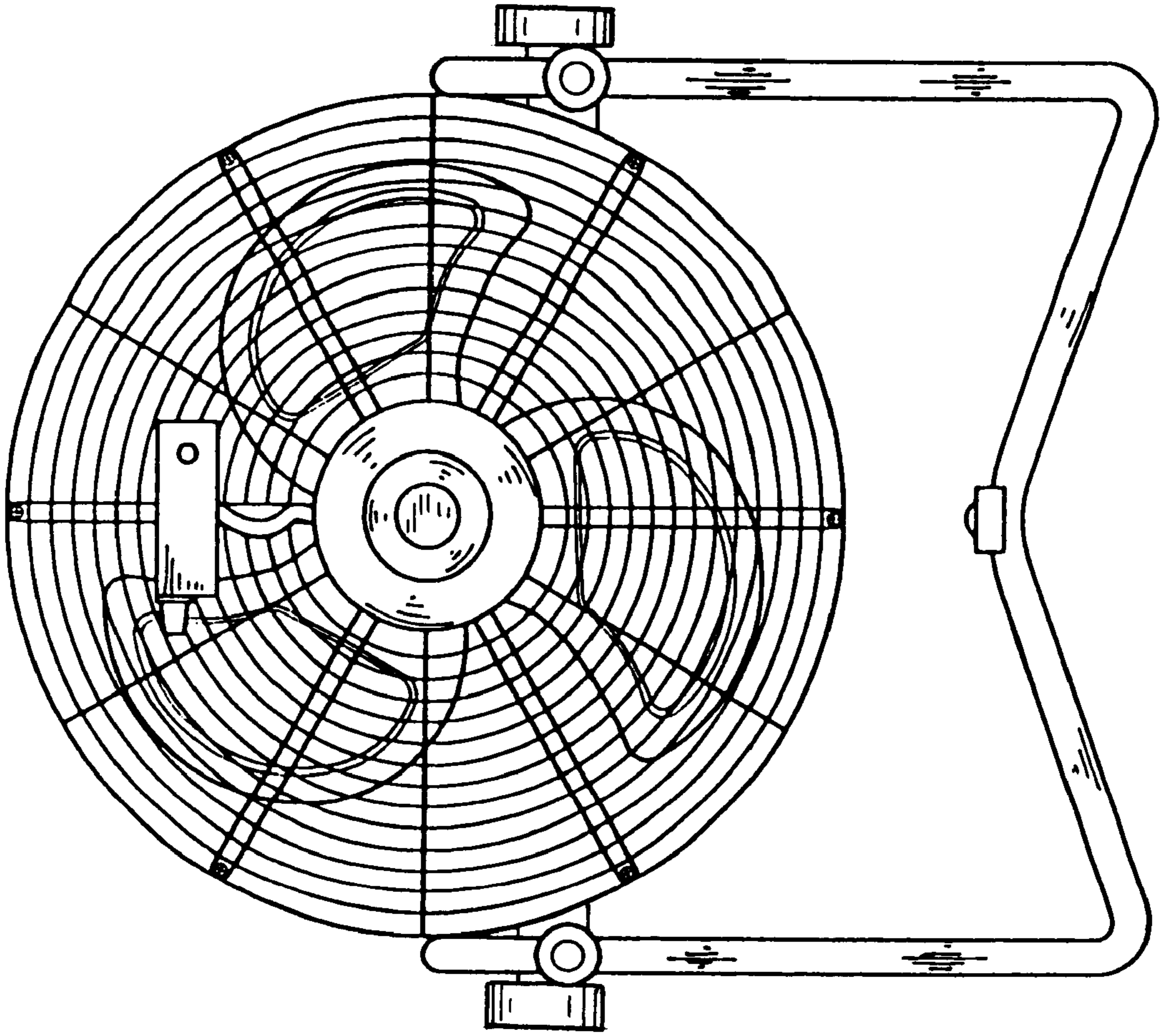


FIG. 3

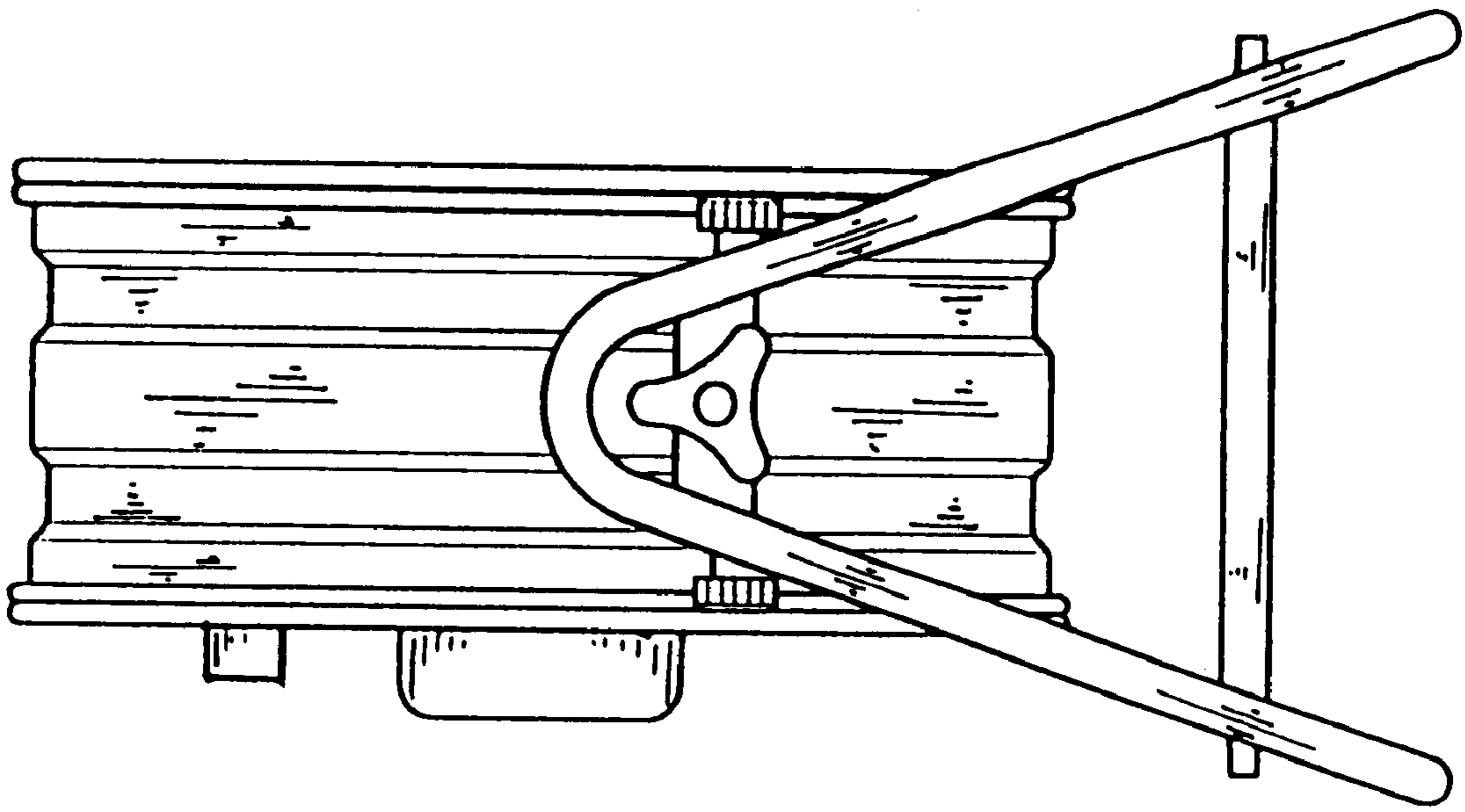


FIG. 4

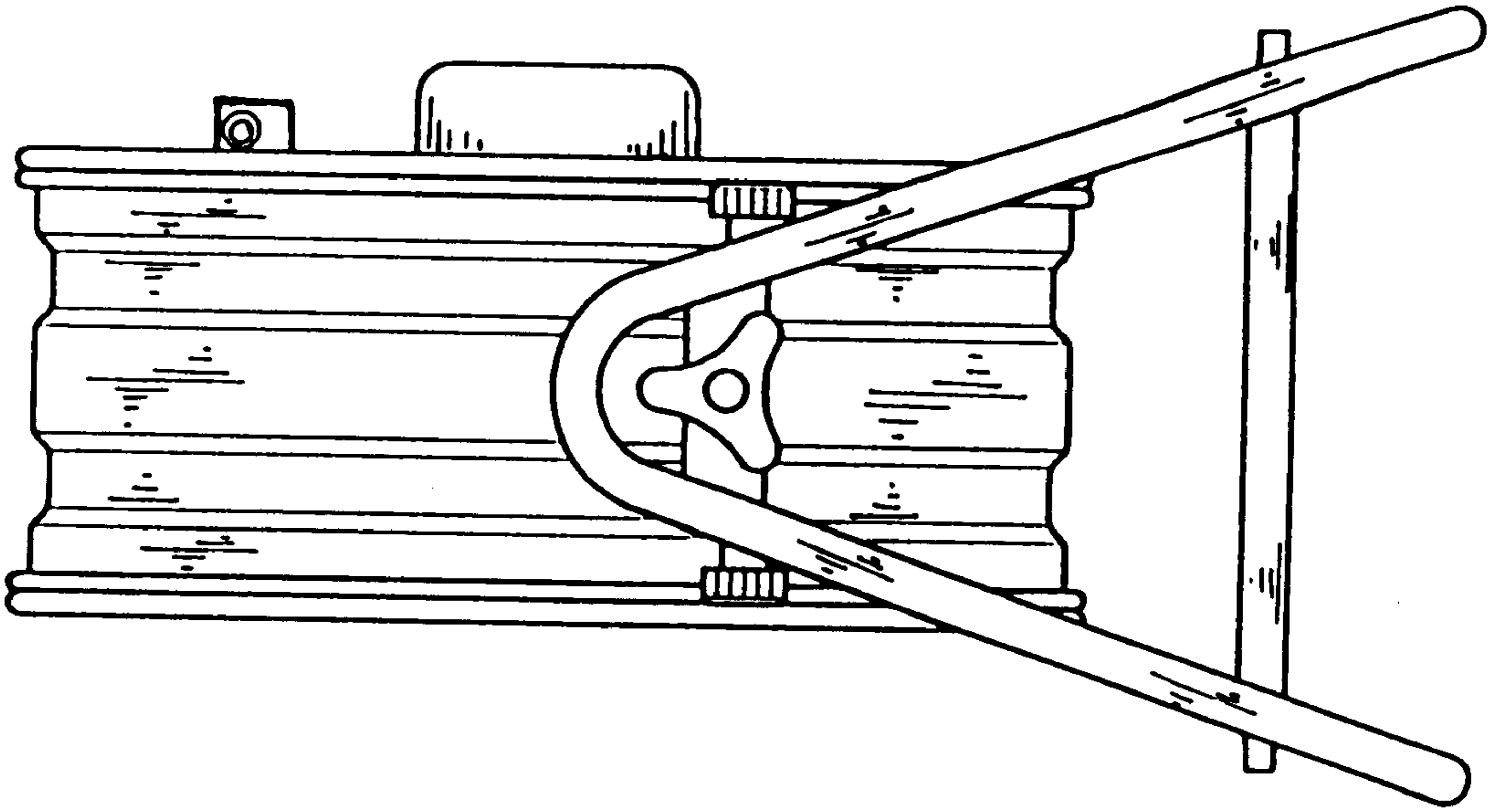


FIG. 5

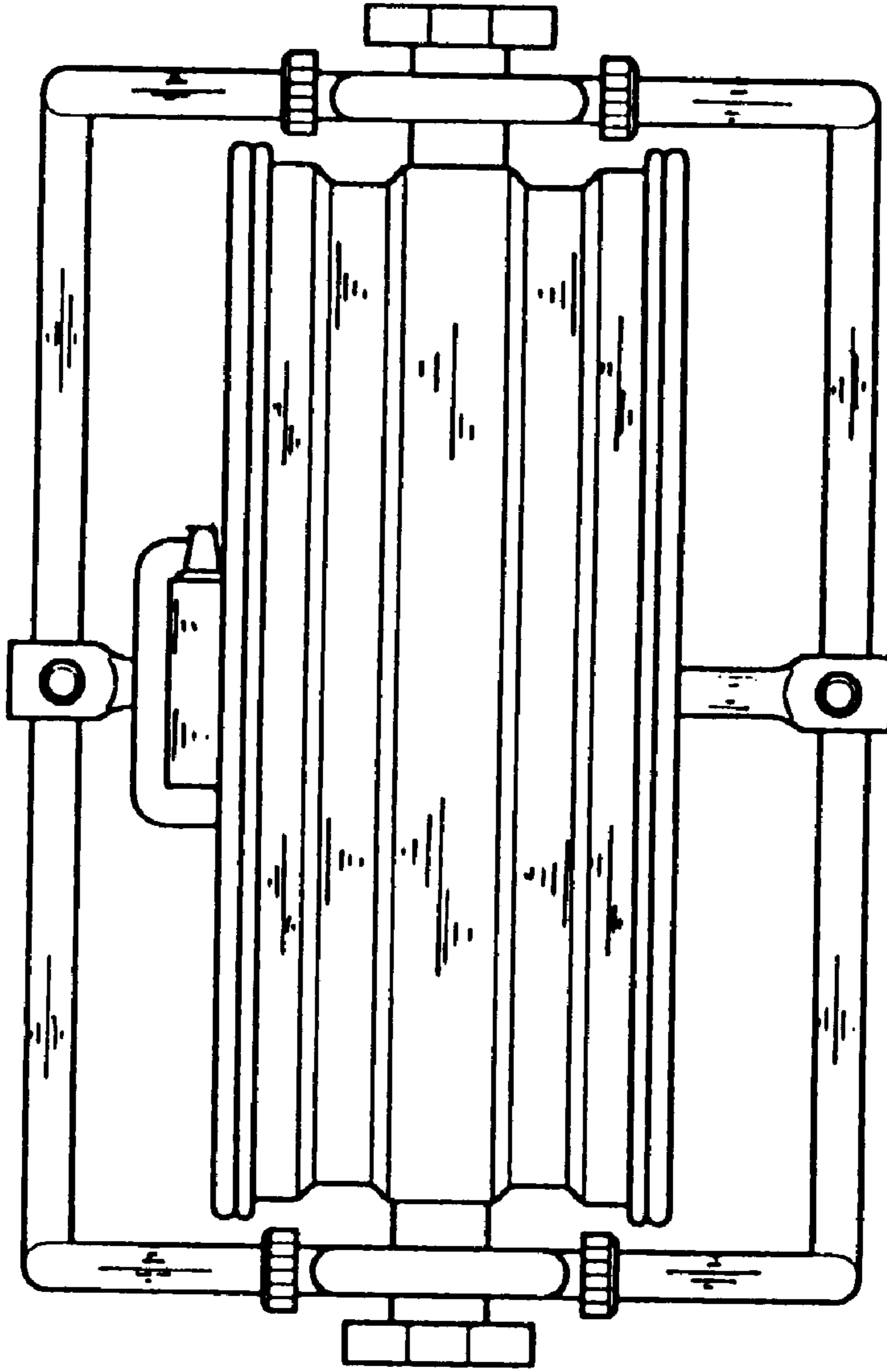


FIG. 6

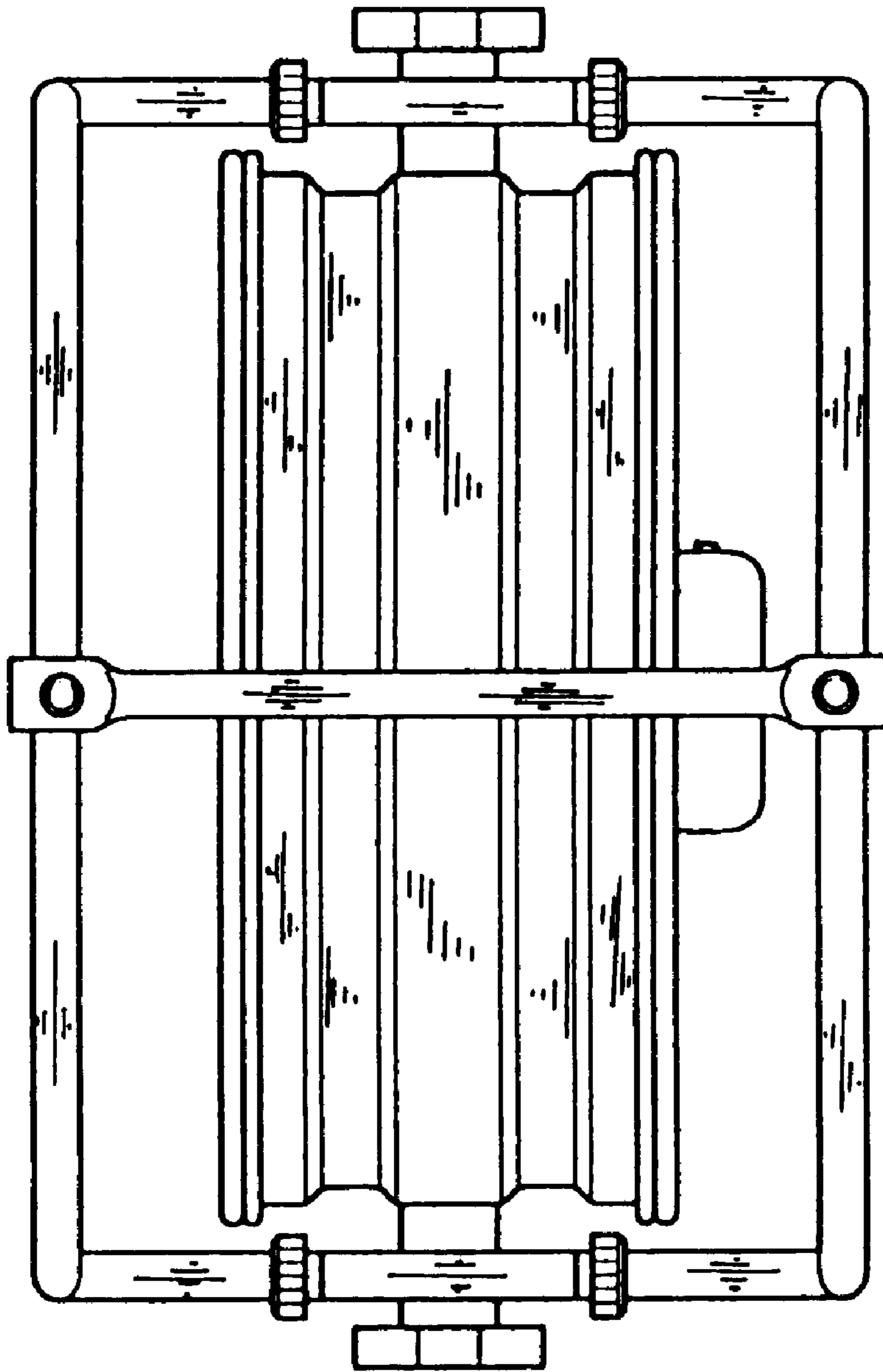


FIG. 7