



US00D444550S

(12) **United States Design Patent**
Cobbs

(10) **Patent No.:** **US D444,550 S**

(45) **Date of Patent:** **** Jul. 3, 2001**

(54) **BATHTUB MAT**

(76) **Inventor:** **Carol Cobbs**, 12319 Skyline Blvd.,
Oakland, CA (US) 94619

(**) **Term:** **14 Years**

(21) **Appl. No.:** **29/115,460**

(22) **Filed:** **Dec. 15, 1999**

(51) **LOC (7) Cl.** **23-02**

(52) **U.S. Cl.** **D23/304; D6/595**

(58) **Field of Search** D23/278, 280.3,
D23/303-307; 4/546, 578.1, 581; D6/595-597,
599, 604-606; D12/128, 133; 5/419, 655.3,
656, 657

(56) **References Cited**

U.S. PATENT DOCUMENTS

D. 264,163	5/1982	Chapman	D6/201
D. 290,916	7/1987	Madison et al.	D6/583
D. 308,453	* 6/1990	Elrod	D6/596
D. 327,388	6/1992	Phillips	D6/588
D. 335,036	* 4/1993	Simmons	D23/304 X
D. 348,792	* 7/1994	DeGroot	D6/604
D. 376,945	* 12/1996	Bonaddio et al.	D6/596
3,455,299	7/1969	Gerow	128/66

3,744,483	7/1973	Picolin	128/25
4,329,981	5/1982	Dungl	128/25
4,417,568	* 11/1983	Nozawa et al.	4/541.5
5,042,874	* 8/1991	Williams	297/17

* cited by examiner

Primary Examiner—Louis S. Zarfes

Assistant Examiner—Robert A. Delehanty

(74) *Attorney, Agent, or Firm*—Goldstein & Canino

(57) **CLAIM**

The ornamental design for a bathtub mat, as shown and described.

DESCRIPTION

FIG. 1 is a perspective view of a bathtub mat in a folded position.

FIG. 2 is an alternate perspective view of the bathtub mat in extended flat.

FIG. 3 is a front elevational view thereof, the rear elevational view being a mirror image of the front view.

FIG. 4 is a top plan view thereof.

FIG. 5 is a bottom plan view thereof.

FIG. 6 is a left side elevational view of the bathtub mat; and,

FIG. 7 is a right side elevational view thereof.

1 Claim, 4 Drawing Sheets

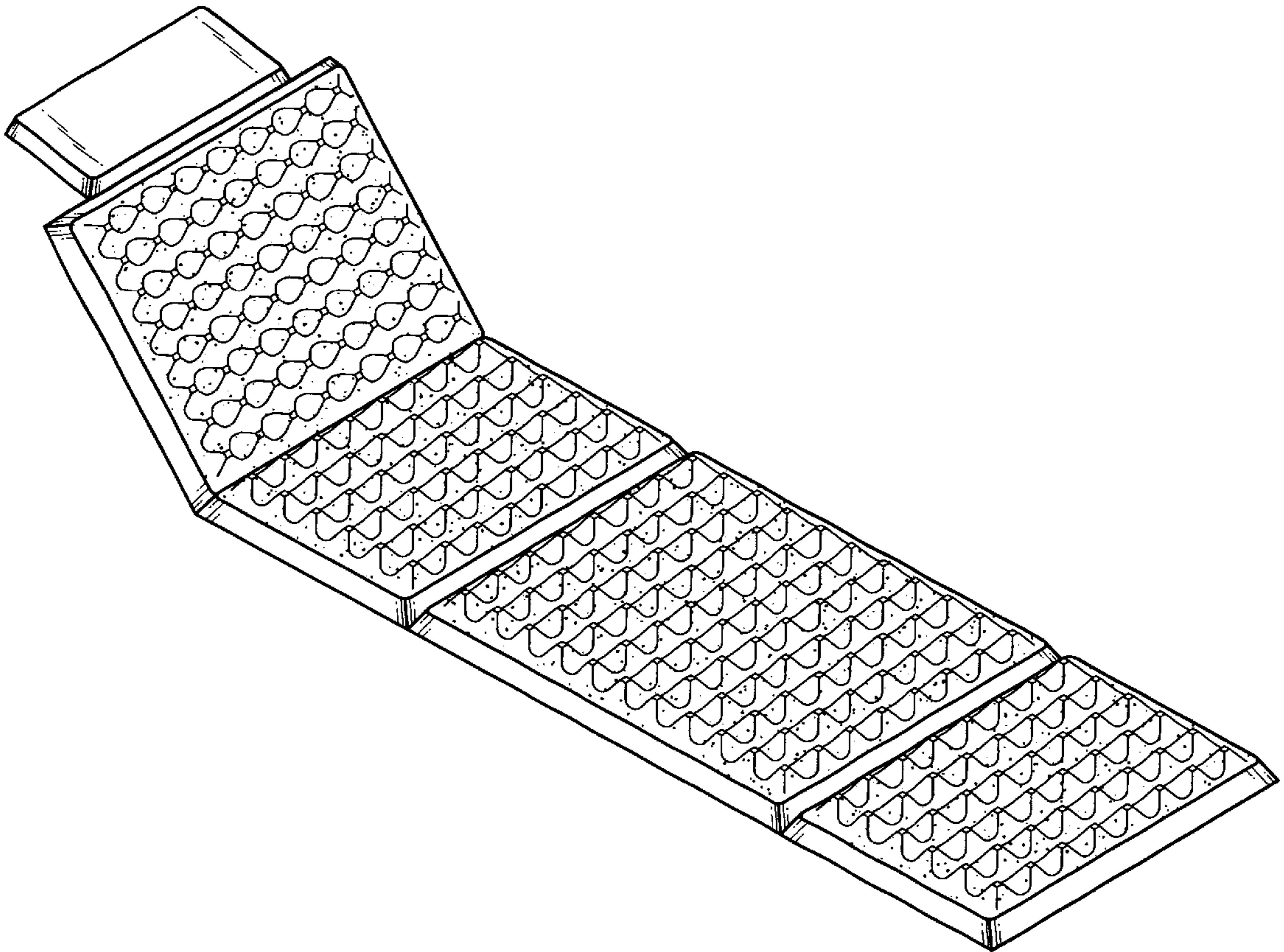


FIG. 1

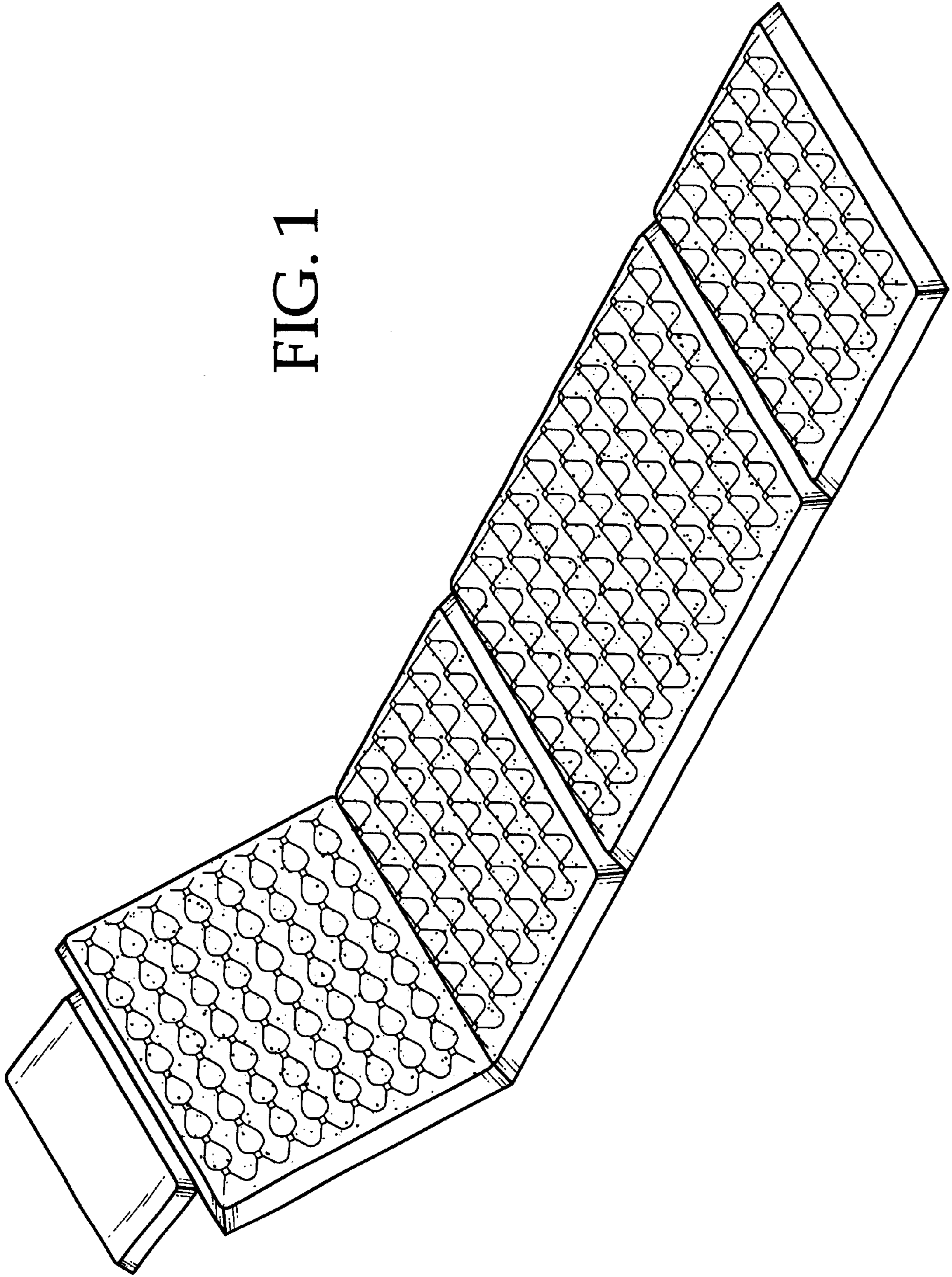


FIG. 2

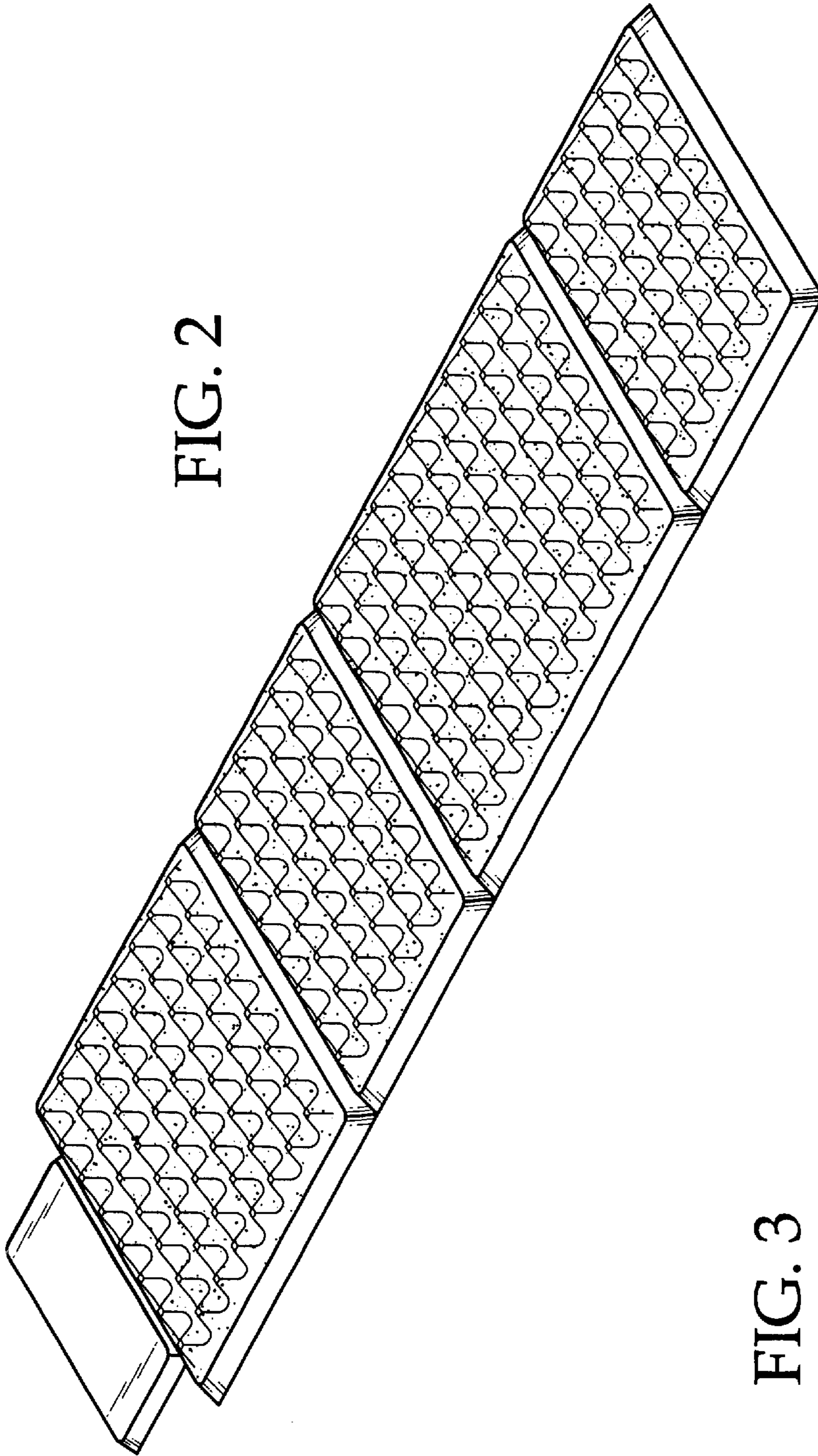


FIG. 3



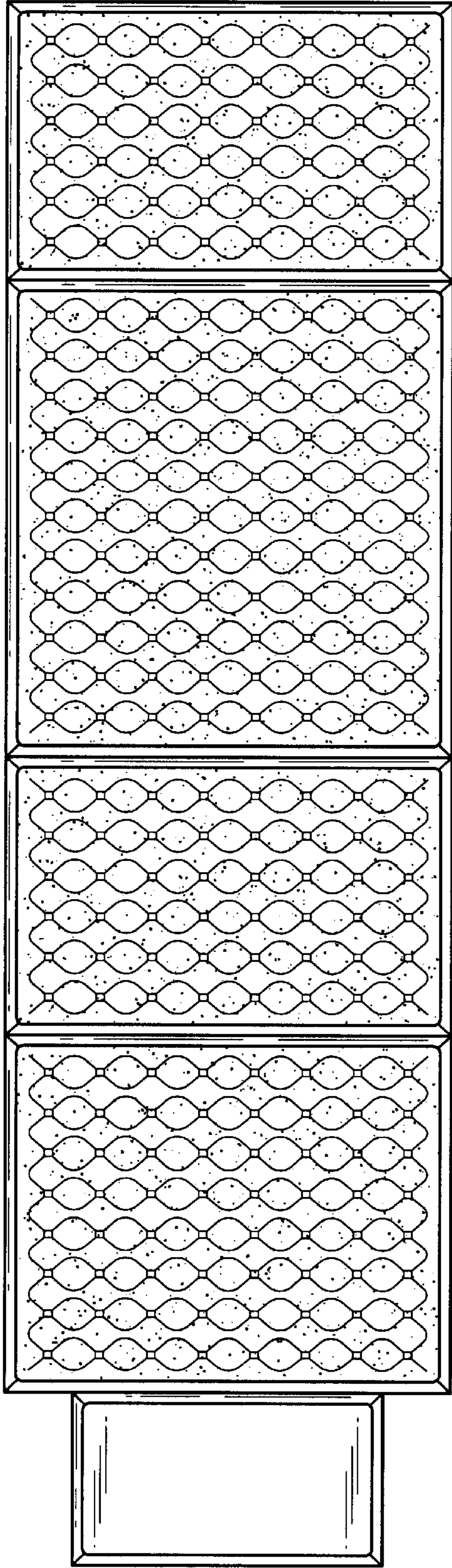


FIG. 4

FIG. 5

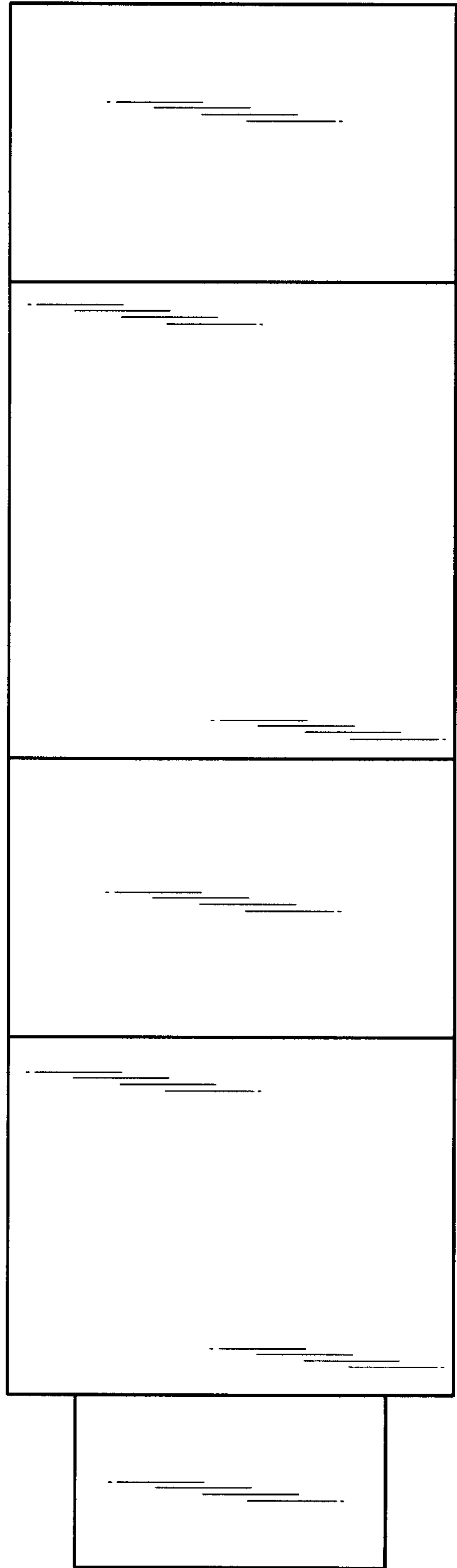




FIG. 6



FIG. 7