



US00D444547S

(12) **United States Design Patent**  
**Kuo**

(10) **Patent No.:** **US D444,547 S**

(45) **Date of Patent:** **\*\* Jul. 3, 2001**

(54) **TUB FOR BATHING**

(75) Inventor: **Robert L. Kuo**, Los Angeles, CA (US)

(73) Assignee: **Ann Sacks Tile and Stone, Inc.**,  
Portland, OR (US)

(\*\*) Term: **14 Years**

(21) Appl. No.: **29/121,347**

(22) Filed: **Apr. 5, 2000**

(51) **LOC (7) Cl.** ..... **23-02**

(52) **U.S. Cl.** ..... **D23/280.1**

(58) **Field of Search** ..... D23/275, 276-278,  
D23/280.1, 280.2, 280.3, 280.4, 303, 304,  
305, 306, 307; 4/538, 540, 546, 554, 584;  
D9/428, 429, 502

(56) **References Cited**

**U.S. PATENT DOCUMENTS**

- D. 213,428 \* 3/1969 Batdorf ..... D9/429
- D. 280,705 \* 9/1985 Franek et al. .... D9/502
- D. 280,706 \* 9/1985 Franek et al. .... D9/502
- D. 321,556 \* 11/1991 Reid et al. .... D23/280.2
- D. 398,967 \* 9/1998 Kohler, Jr. et al. .... D23/284
- 1,161,137 \* 11/1915 Lane ..... D23/280.4

**OTHER PUBLICATIONS**

Undated Waterworks catalog ad, p. 77, showing a "Hancock" lavatory.

Undated Kohler catalog ad, p. 34, showing a "Vintage" bath.

Undated Kallista catalog ad, p. 90, showing an "Archeo" bathtub.

\* cited by examiner

*Primary Examiner*—Louis S. Zarfes

*Assistant Examiner*—Robert A. Delehanty

(74) *Attorney, Agent, or Firm*—Quarles & Brady LLP

(57) **CLAIM**

The ornamental design for a tub for bathing, as shown and described.

**DESCRIPTION**

In a preferred embodiment, the nature of this product is as a plumbing fixture primarily useful for washing the body of humans.

FIG. 1 is a left, top, front perspective view of a tub for bathing embodying my new design;

FIG. 2 is a front elevational view thereof, the rear elevational view being identical to the front elevational view shown;

FIG. 3 is a right side elevational view thereof, the left side elevational view being identical to the right side shown;

FIG. 4 is a top plan view thereof; and,

FIG. 5 is a bottom plan view thereof.

The broken line representations of holes in FIGS. 1, 4, and 5 are for the purpose of illustration only, and form no part of the claimed design.

**1 Claim, 2 Drawing Sheets**

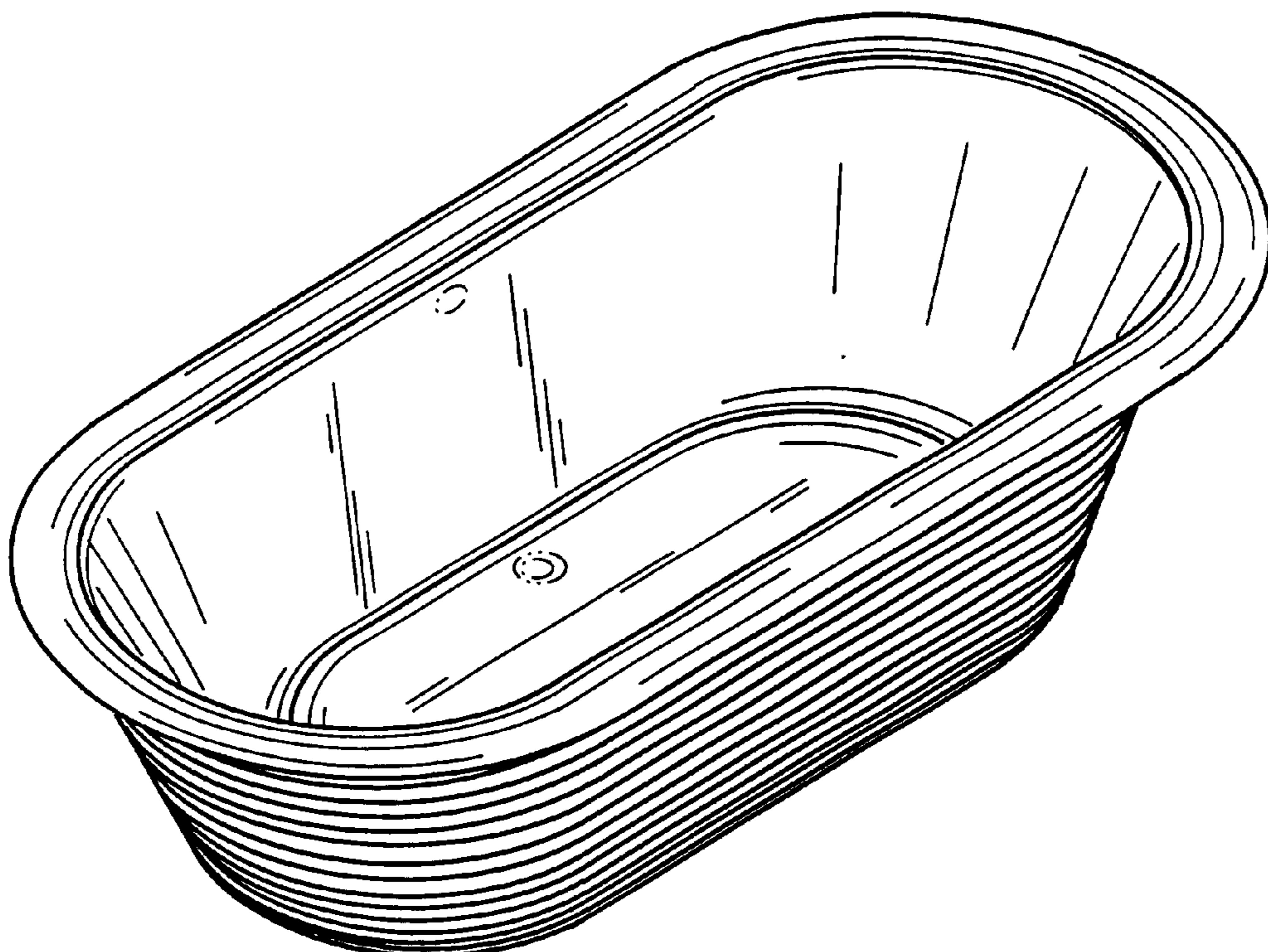


FIG. 1

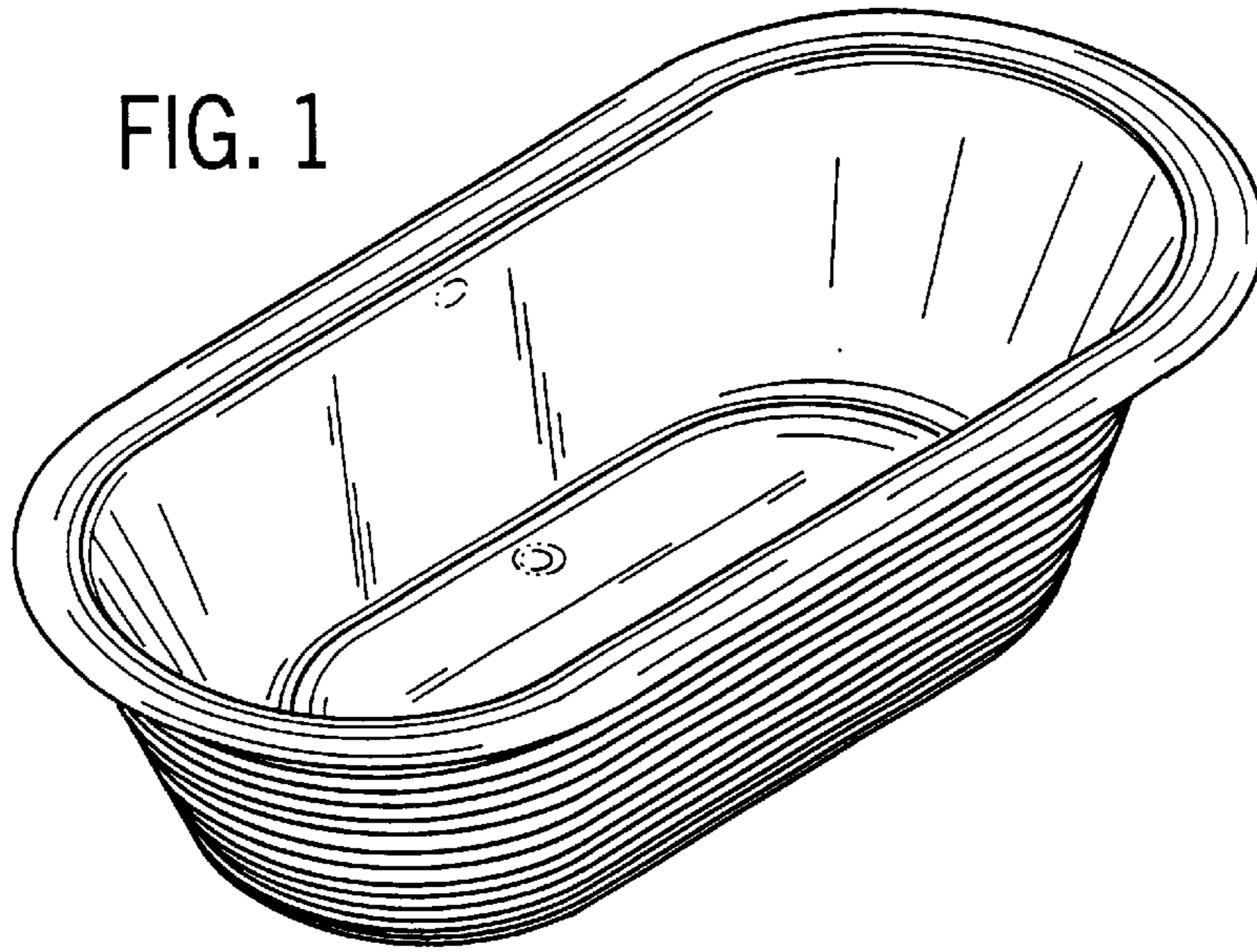


FIG. 2

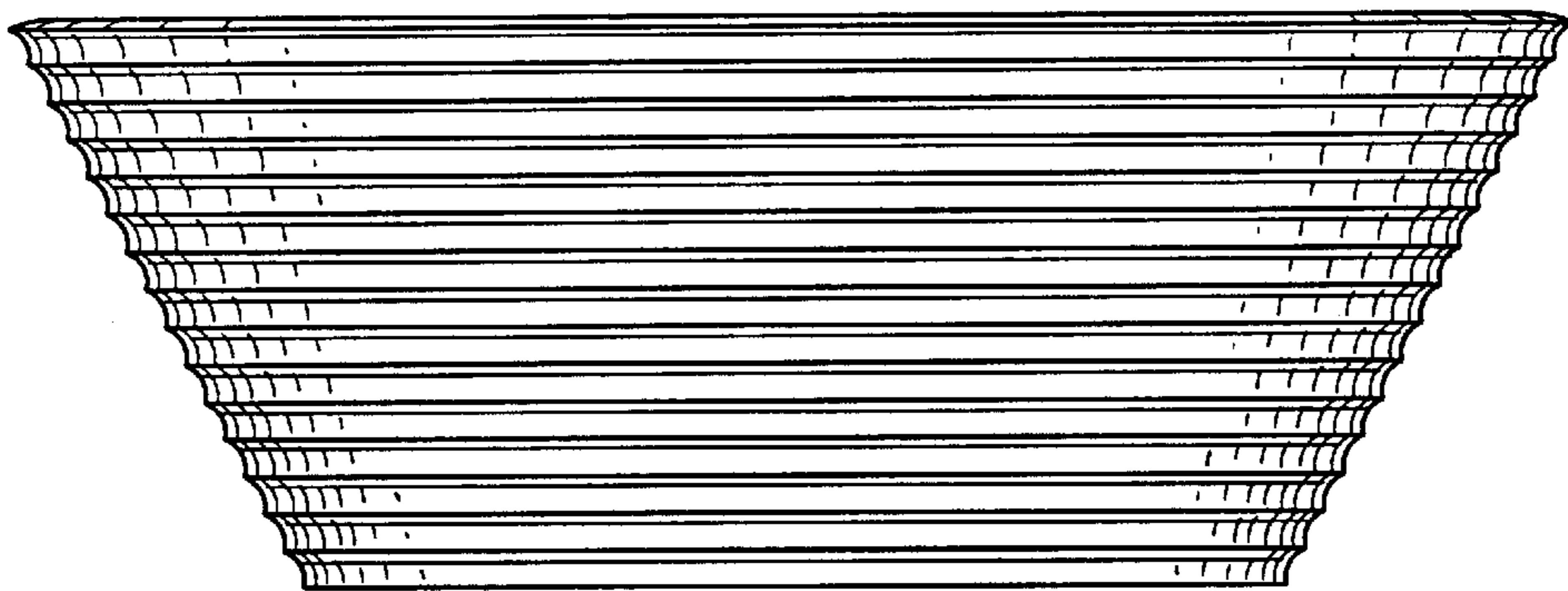


FIG. 3

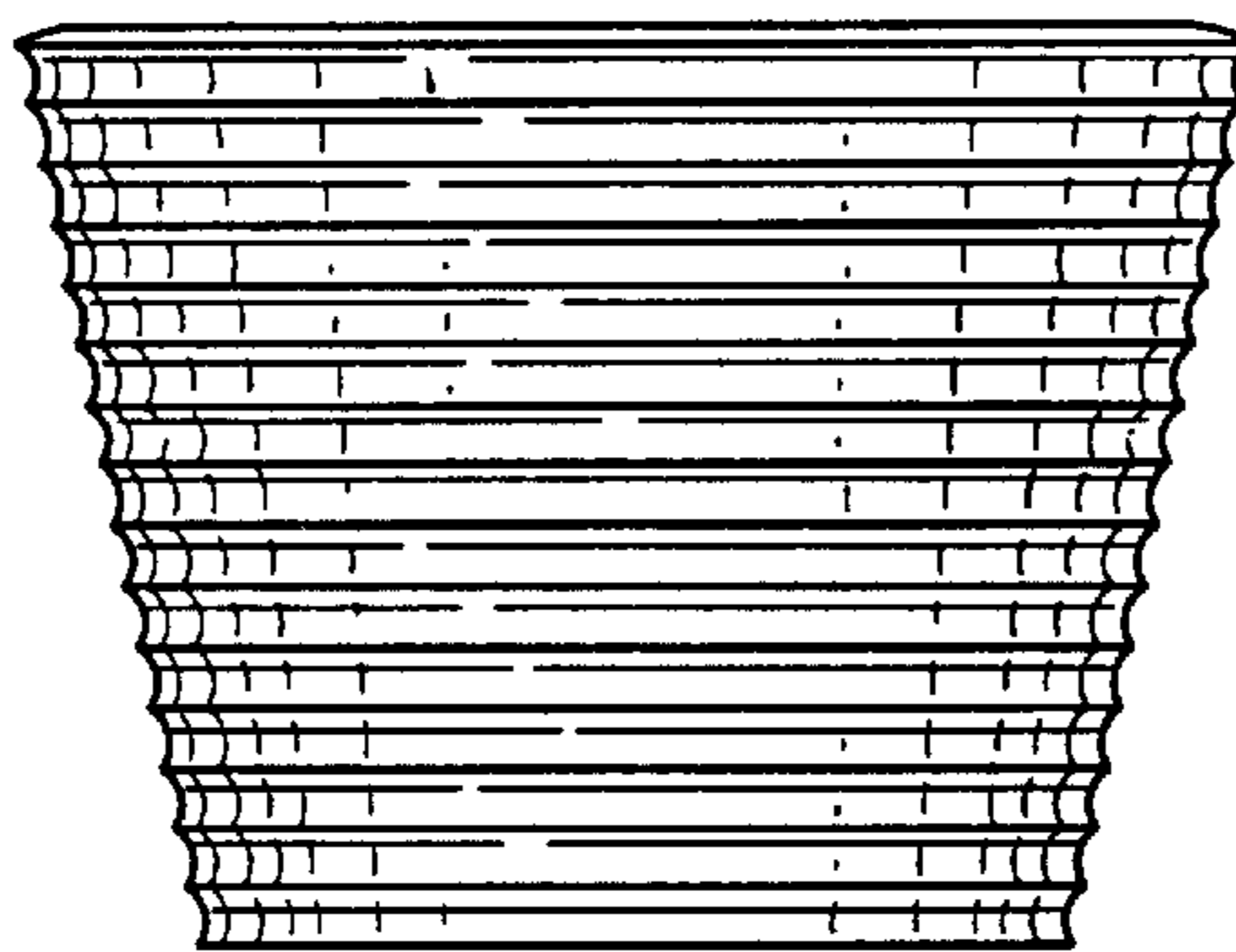


FIG. 4

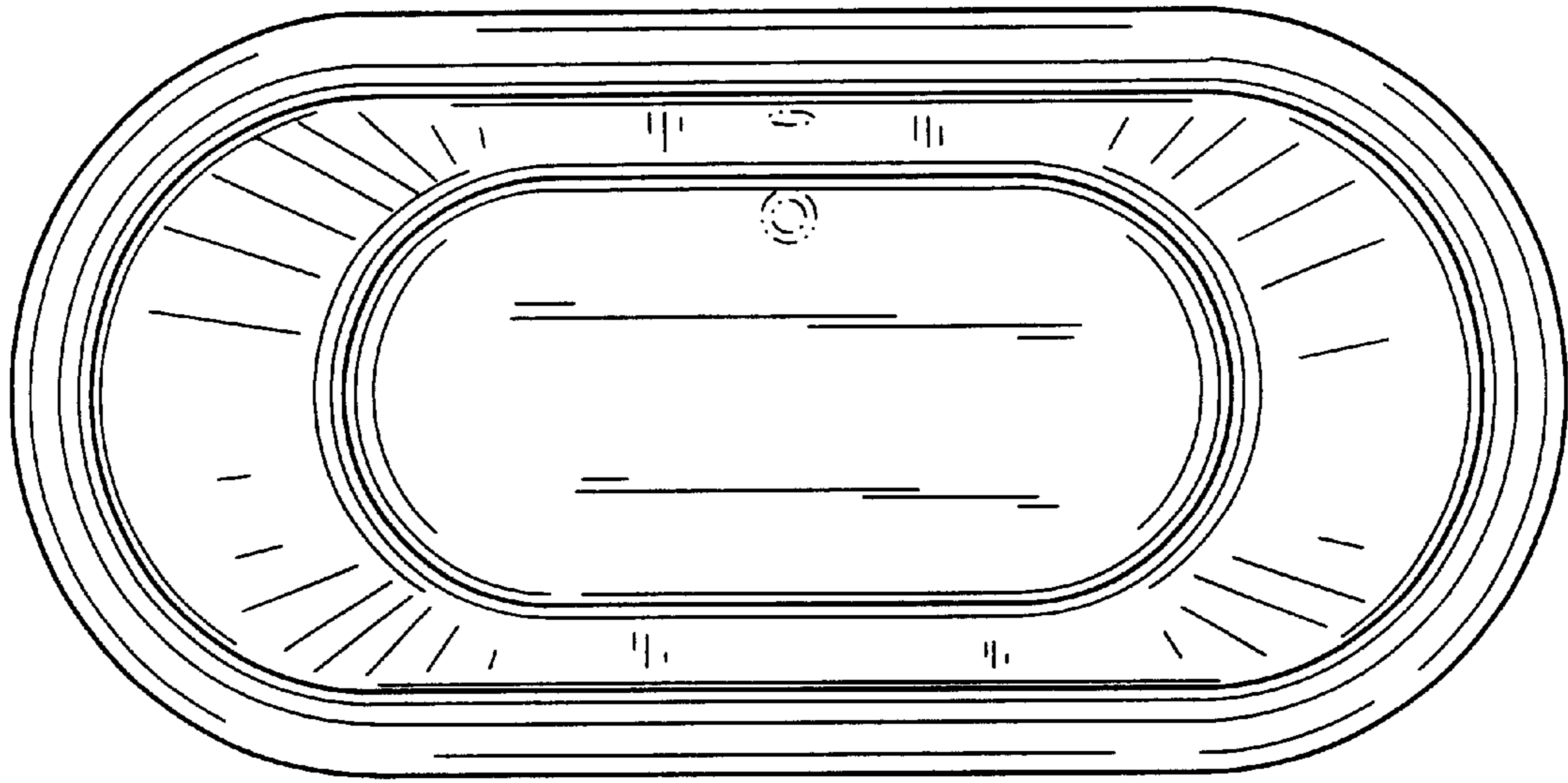


FIG. 5

