



US00D444545S

(12) **United States Design Patent**  
**Nyman**

(10) **Patent No.:** **US D444,545 S**

(45) **Date of Patent:** **\*\* Jul. 3, 2001**

(54) **COMPACT DRAIN CLEARING DEVICE**

(76) **Inventor:** **Donald Nyman**, 1061-A E. 4th St.,  
Santa Ana, CA (US) 92701

(\*\*) **Term:** **14 Years**

(21) **Appl. No.:** **29/117,000**

(22) **Filed:** **Jan. 14, 2000**

(51) **LOC (7) Cl.** ..... **23-01**

(52) **U.S. Cl.** ..... **D23/260**

(58) **Field of Search** ..... D23/259, 262;  
D24/129; 285/148.22, 148.23, 34, 35, 148.1,  
144.1, 333, 390, 238, 341, 382.7, 249;  
4/255.04, 255.06, 255.08, 255.09; 134/167 C

(56) **References Cited**

**U.S. PATENT DOCUMENTS**

2,536,552	*	1/1951	Katz	.....	265/341
4,606,364	*	8/1986	Tash	.....	134/167 C
4,756,480	*	7/1988	Fish	.....	4/255.06
5,497,514	*	3/1996	Miller	.....	4/255.04
5,803,101	*	9/1998	Gallo	.....	4/255.06

**OTHER PUBLICATIONS**

Anderson Metals Corporation, Catalog No. 6187, p. 18,  
"Female Iron Pipe Adapter", Dec. 1987.\*

Parker Hannifin Hose Products Division, Catalog 4404, p.  
63, "Adapter Fitting 0507—S.T./female pipe swivel  
straight", Oct. 1969.\*

\* cited by examiner

*Primary Examiner*—Robin V. Taylor

(74) *Attorney, Agent, or Firm*—Alfred F. Hoyte, Jr.

(57) **CLAIM**

The ornamental design for a compact drain clearing device,  
as shown and described.

**DESCRIPTION**

FIG. 1 is a perspective view of a compact drain clearing  
device showing my new design;

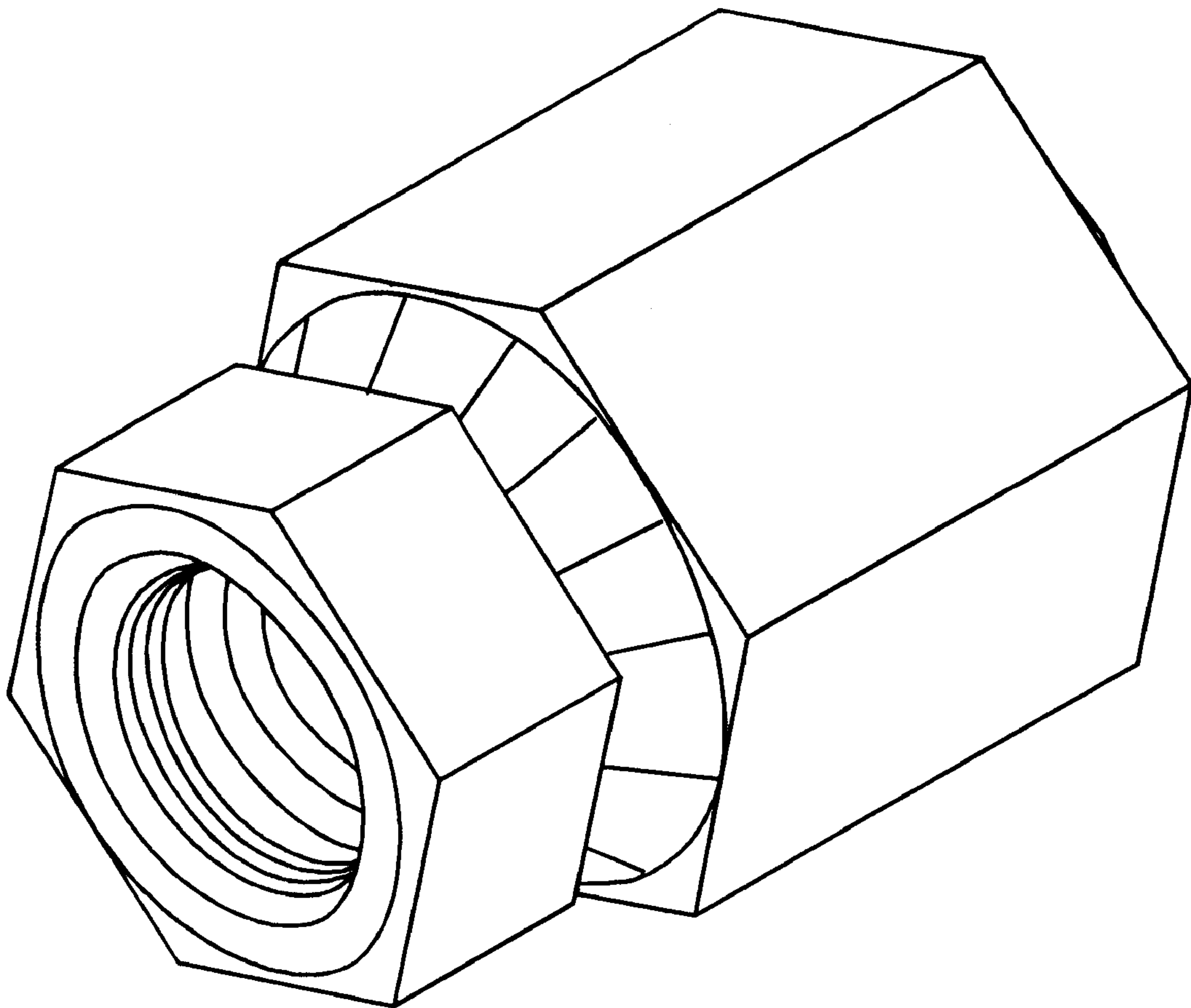
FIG. 2 is a side view thereof;

FIG. 3 is a top view thereof; and,

FIG. 4 is a bottom view thereof.

The broken lines in FIGS. 1, 3, and 4 are for illustrative  
purposes only and form no part of the claimed design.

**1 Claim, 2 Drawing Sheets**



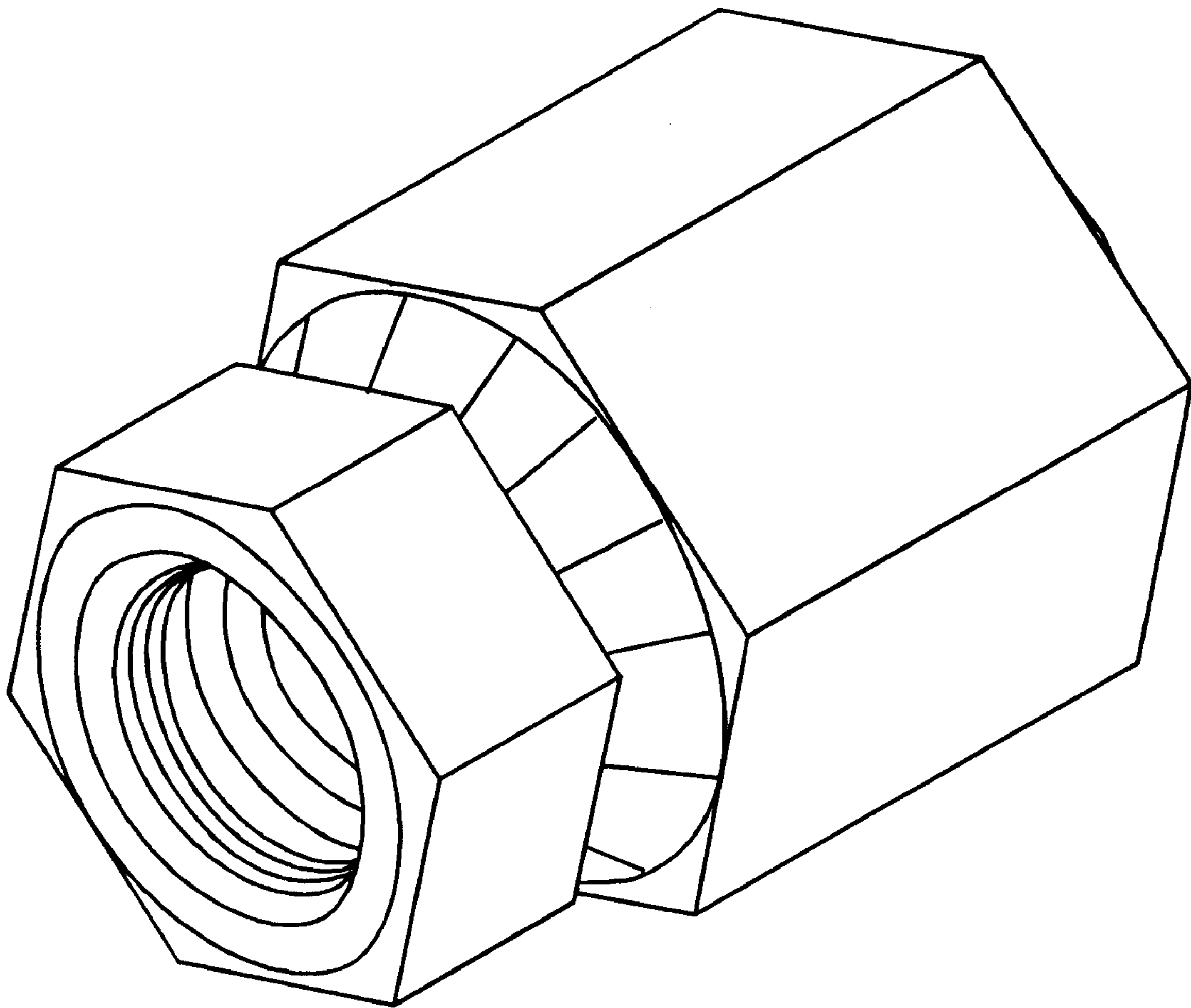


Figure 1

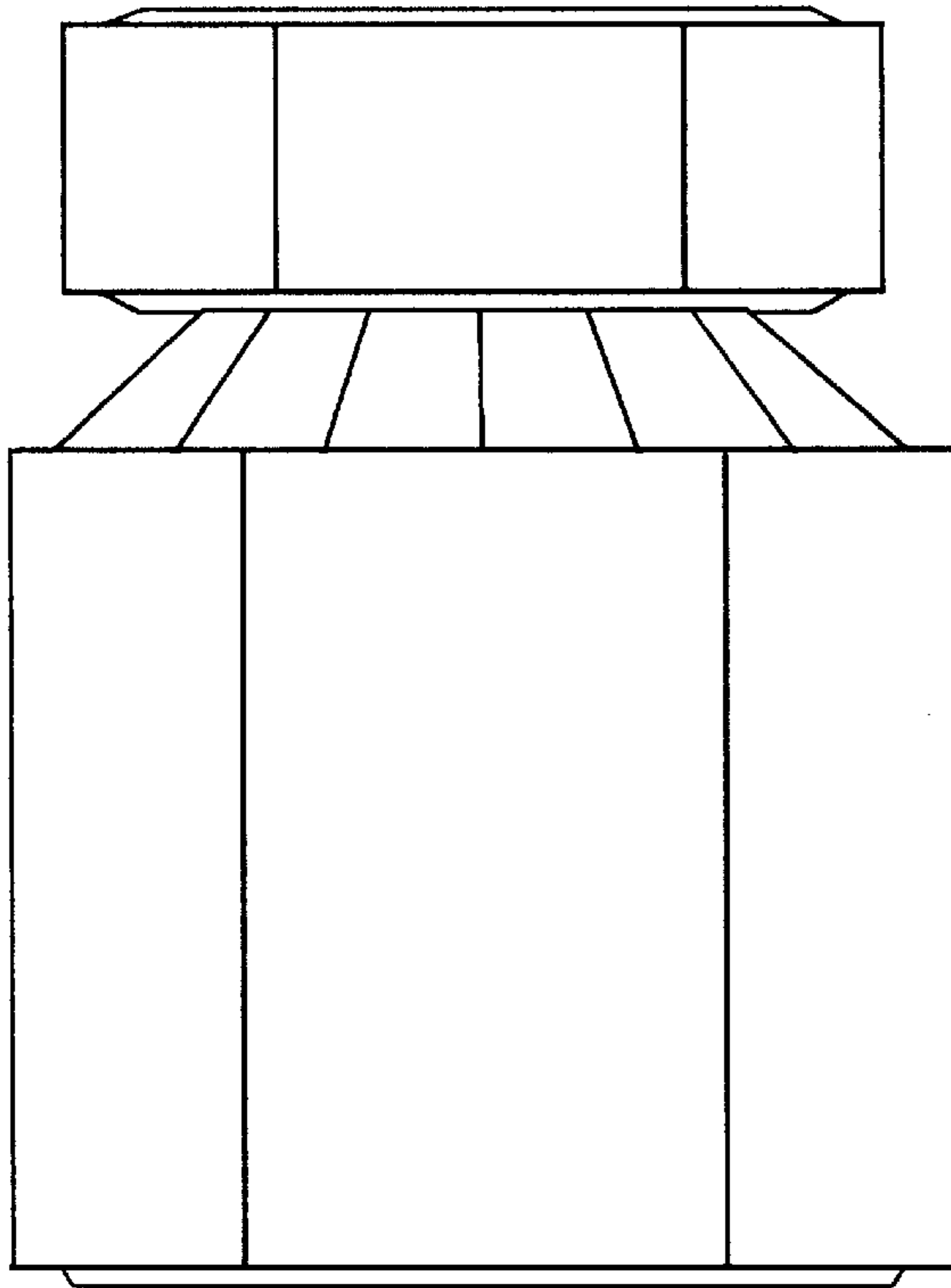


Figure 2

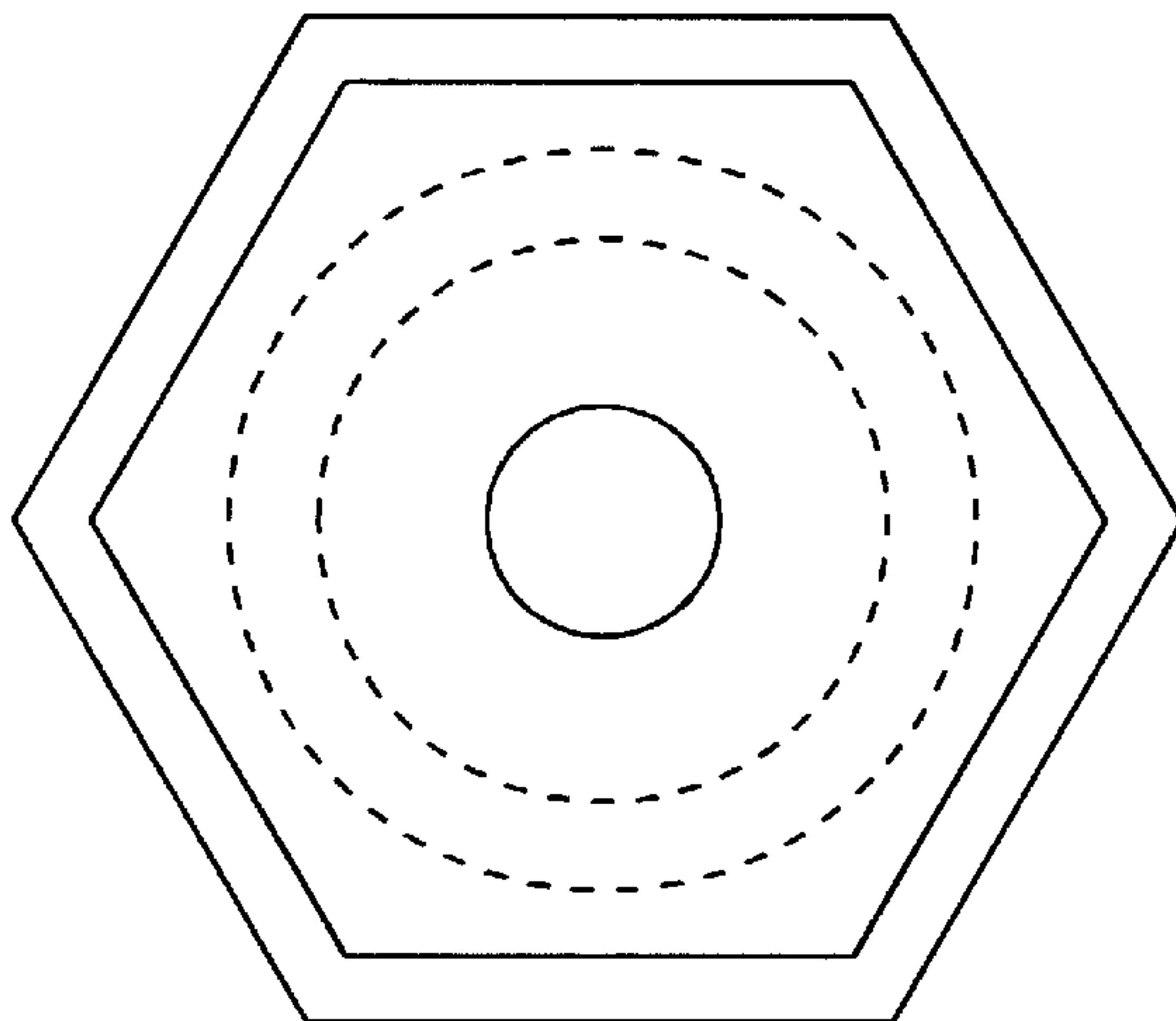


Figure 3

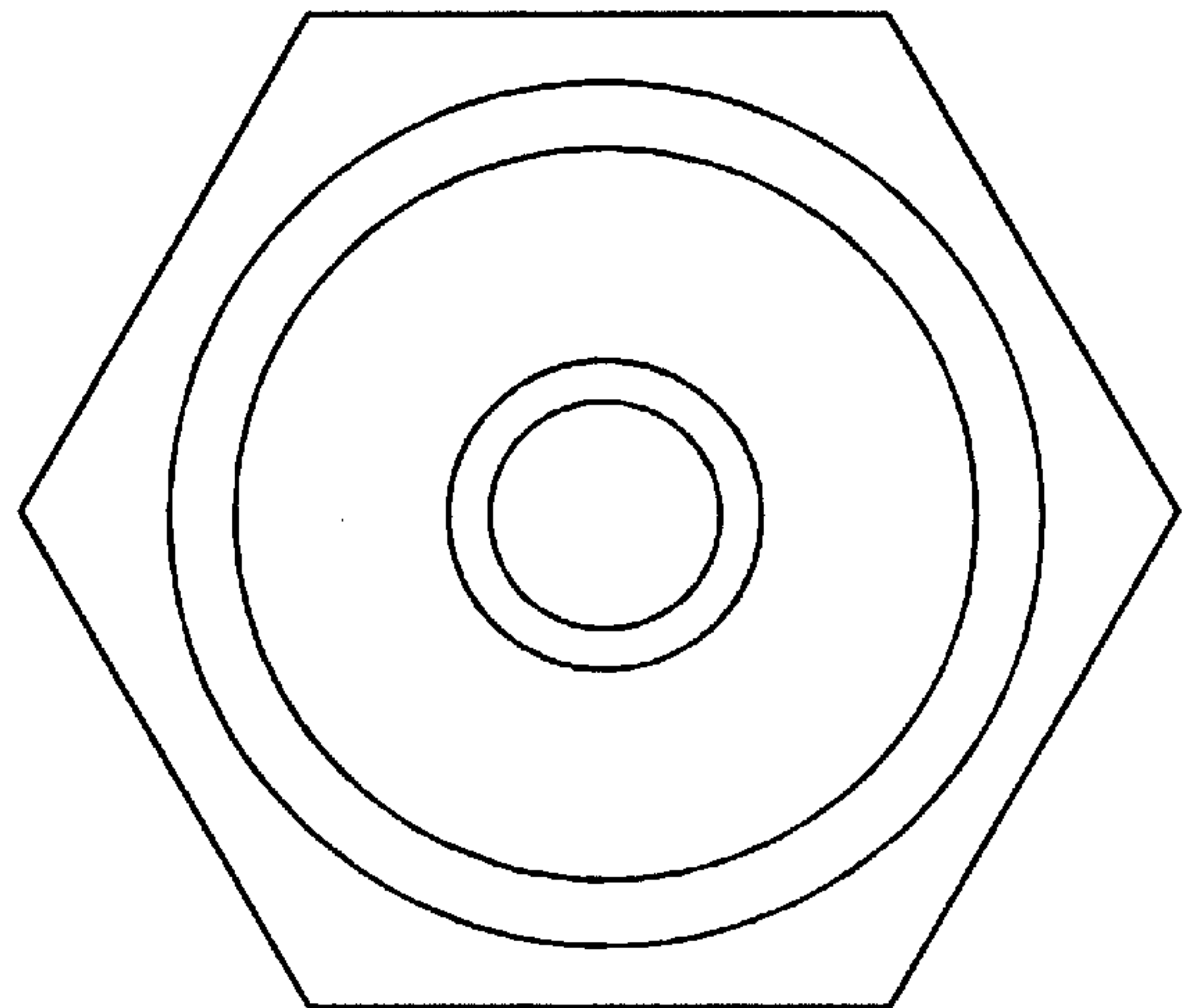


Figure 4