



US00D444544S

(12) **United States Design Patent**
Lord

(10) **Patent No.:** **US D444,544 S**

(45) **Date of Patent:** **** *Jul. 3, 2001**

(54) **FAUCET HANDLE**

(75) **Inventor:** **Judd A. Lord**, Carmel, IN (US)

(73) **Assignee:** **Masco Corporation of Indiana**,
Indianapolis, IN (US)

(*) **Notice:** This patent is subject to a terminal disclaimer.

(**) **Term:** **14 Years**

(21) **Appl. No.:** **29/117,576**

(22) **Filed:** **Jan. 27, 2000**

(51) **LOC (7) Cl.** **23-01**

(52) **U.S. Cl.** **D23/252; D23/250**

(58) **Field of Search** D23/238-243,
D23/249-254; D8/300-303, 308, 321, DIG. 3;
4/675-678; 16/110 R; 137/801

(56) **References Cited**

U.S. PATENT DOCUMENTS

D. 44,107	*	5/1913	Newton	D23/238
D. 60,347	*	2/1922	Kersten	D23/241
D. 81,026	*	4/1930	Schnell	D23/308
D. 303,490	*	9/1989	Mosch	D8/321
D. 349,208	*	8/1994	Bollenbacher	D23/254
D. 349,328	*	8/1994	Bollenbacher	D23/252
D. 355,578	*	2/1995	Mark et al.	D8/308
D. 357,525	*	4/1995	Fabian	D23/252
D. 365,384	*	12/1995	Robbins	D23/252

D. 372,764	*	8/1996	Dubin	D23/254
D. 378,231	*	2/1997	Dubin	D23/252
D. 391,831	*	3/1998	Doughty et al.	D8/321
D. 392,720	*	3/1998	Doughty et al.	D23/250
D. 407,466	*	3/1999	Hundley et al.	D23/252

* cited by examiner

Primary Examiner—Louis S. Zarfaz

Assistant Examiner—Gregory Andoll

(74) *Attorney, Agent, or Firm*—Myron B. Kapustij; Lloyd D. Doigan

(57) **CLAIM**

The ornamental design for a faucet handle, as shown and described.

DESCRIPTION

FIG. 1 is a front perspective view of the faucet handle showing my new design;

FIG. 2 is a rear perspective view thereof;

FIG. 3 is a front elevational view thereof, the rear being a mirror image of the front shown;

FIG. 4 is a top plan view thereof;

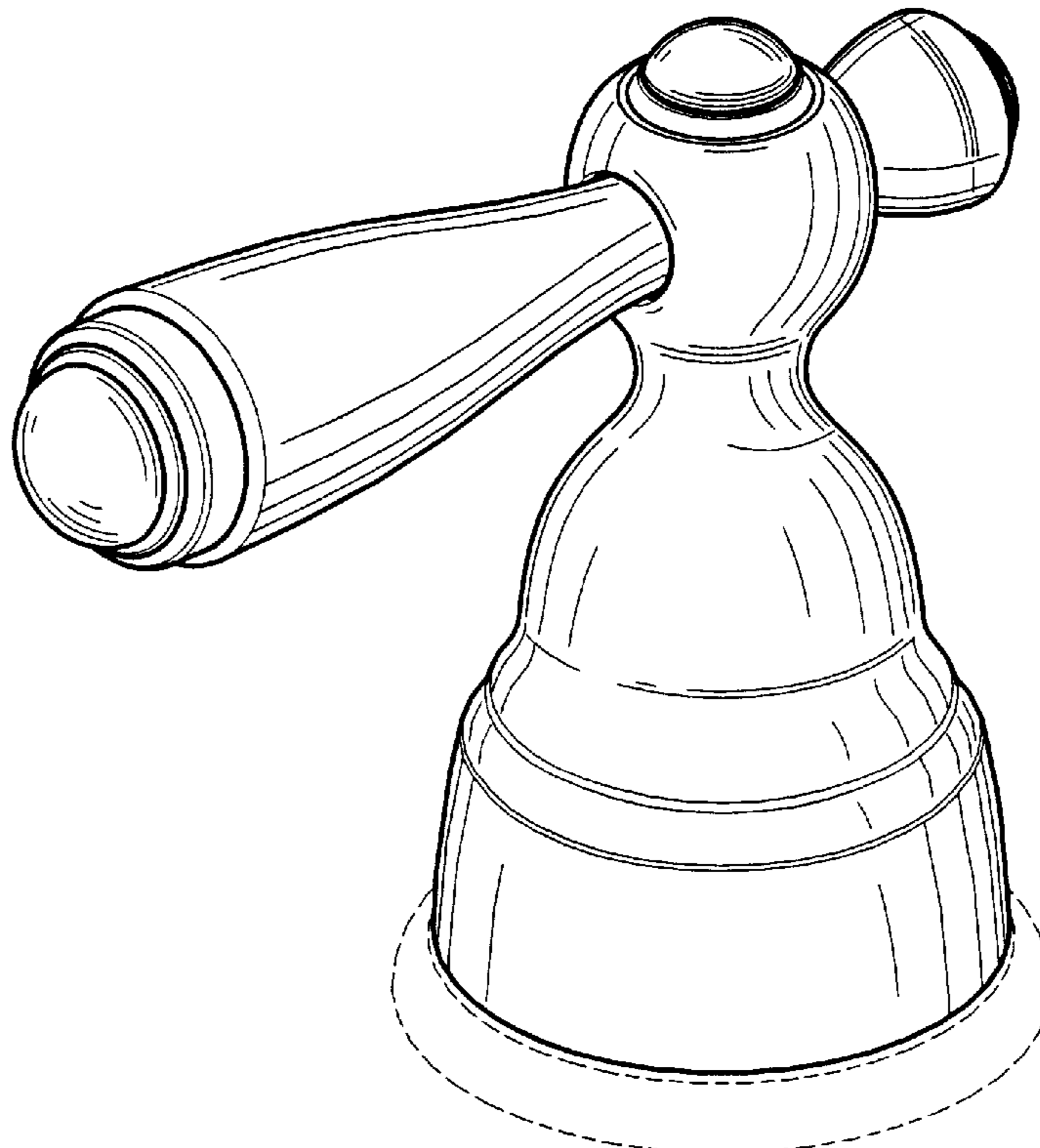
FIG. 5 is a right side elevational view thereof;

FIG. 6 is a left side elevational view thereof; and,

FIG. 7 is a bottom plan view thereof.

The broken line showing of the annular rib at the base of the handle body in FIGS. 1 and 2 is for purposes of illustration only and forms no part of the claimed design.

1 Claim, 4 Drawing Sheets



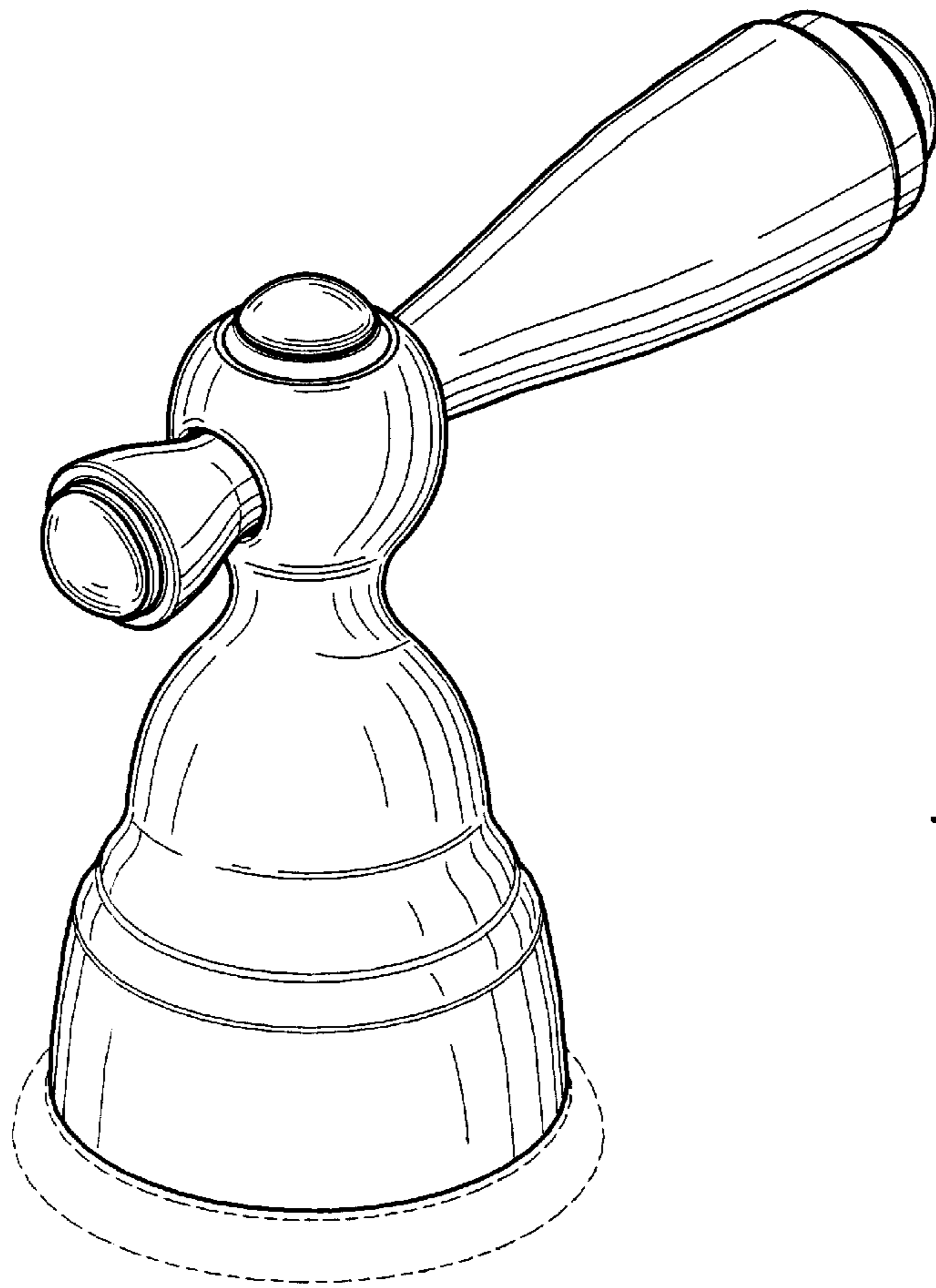


Figure - 1

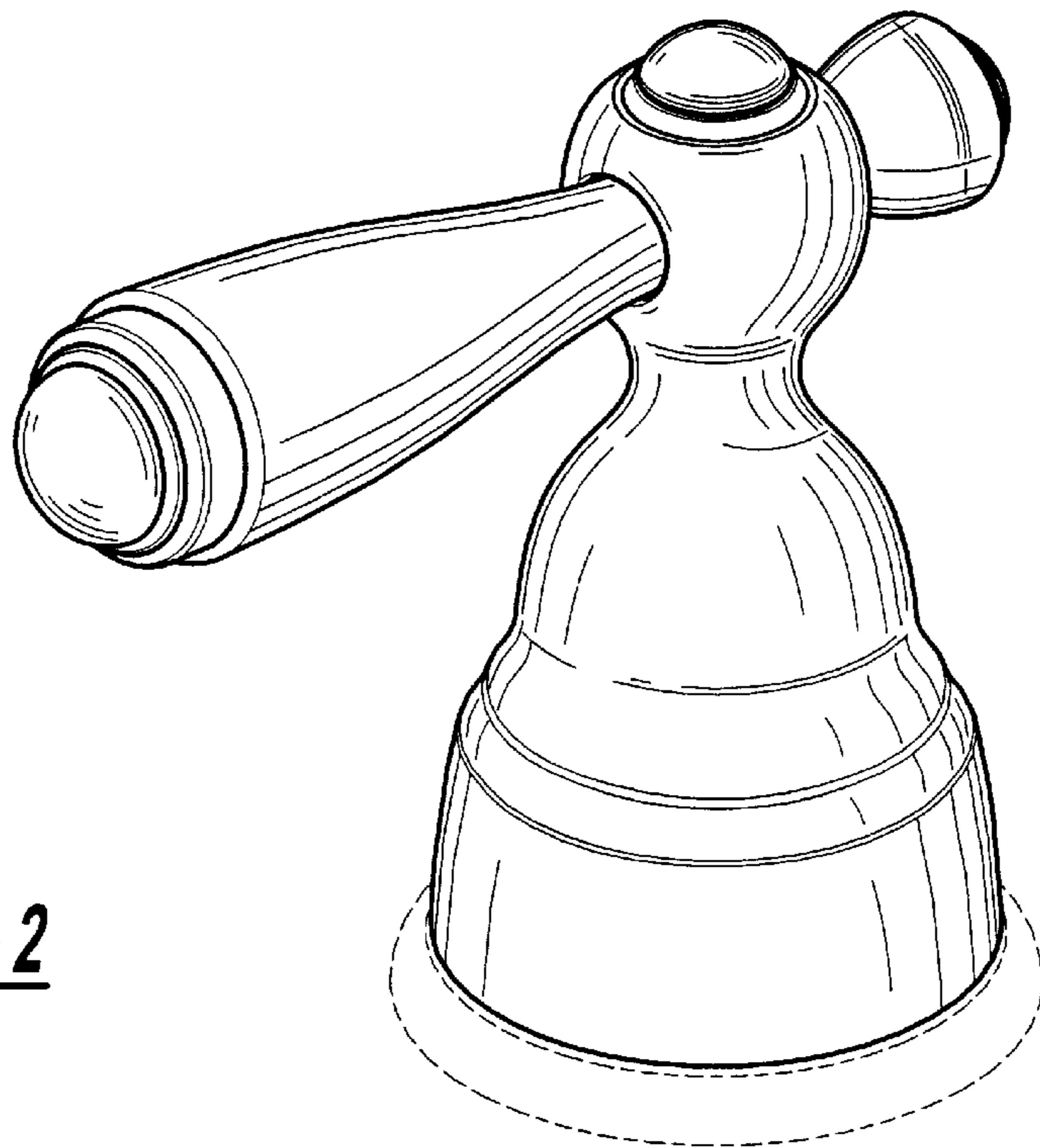


Figure - 2

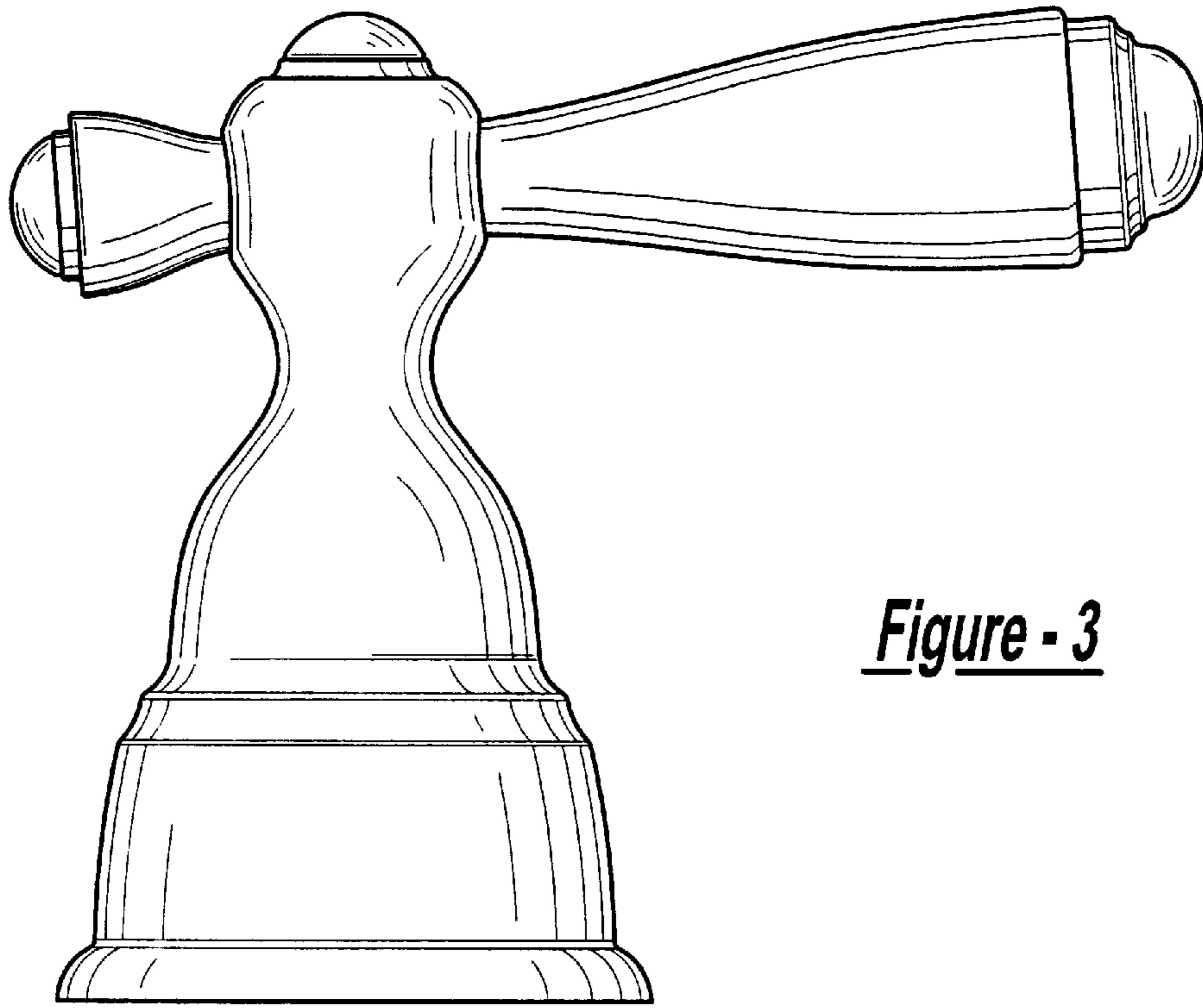


Figure - 3

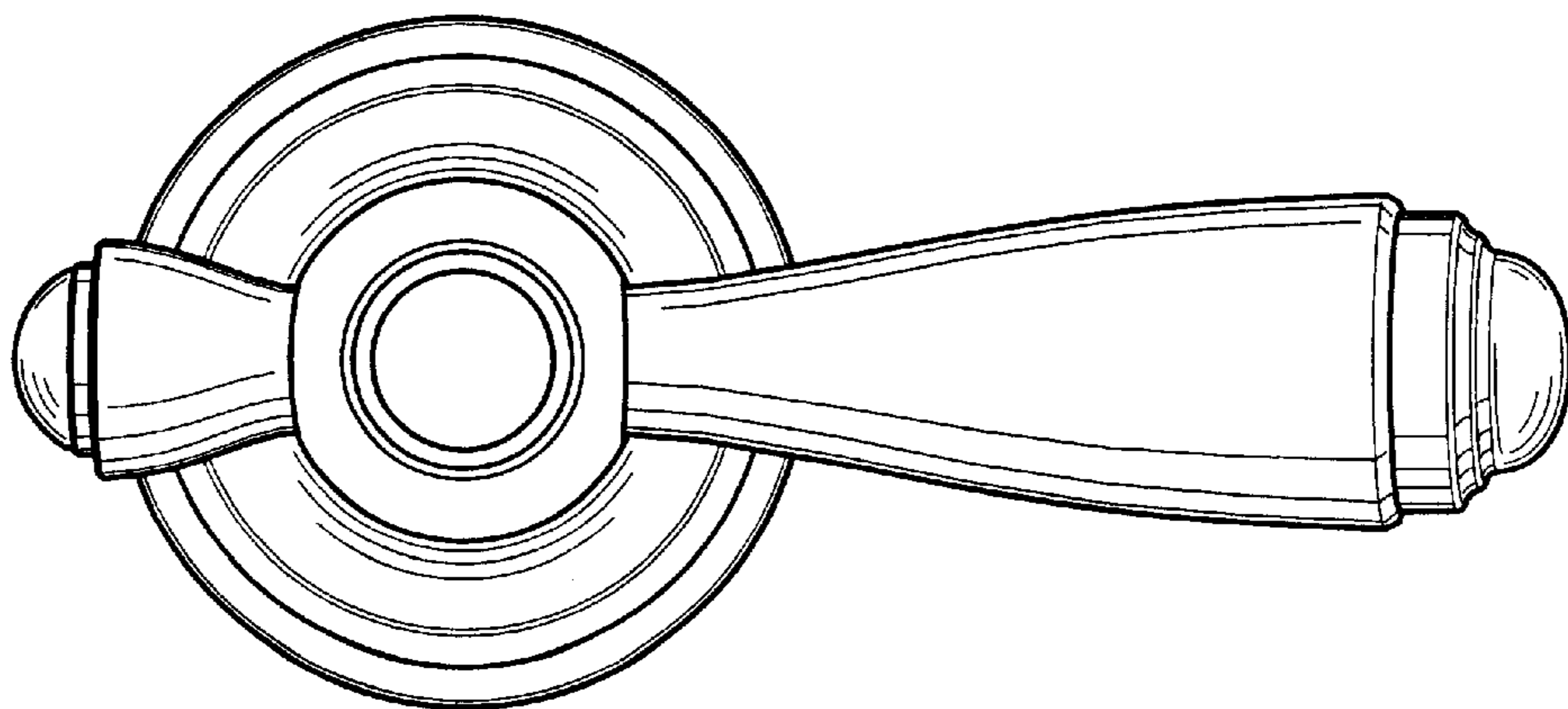


Figure - 4

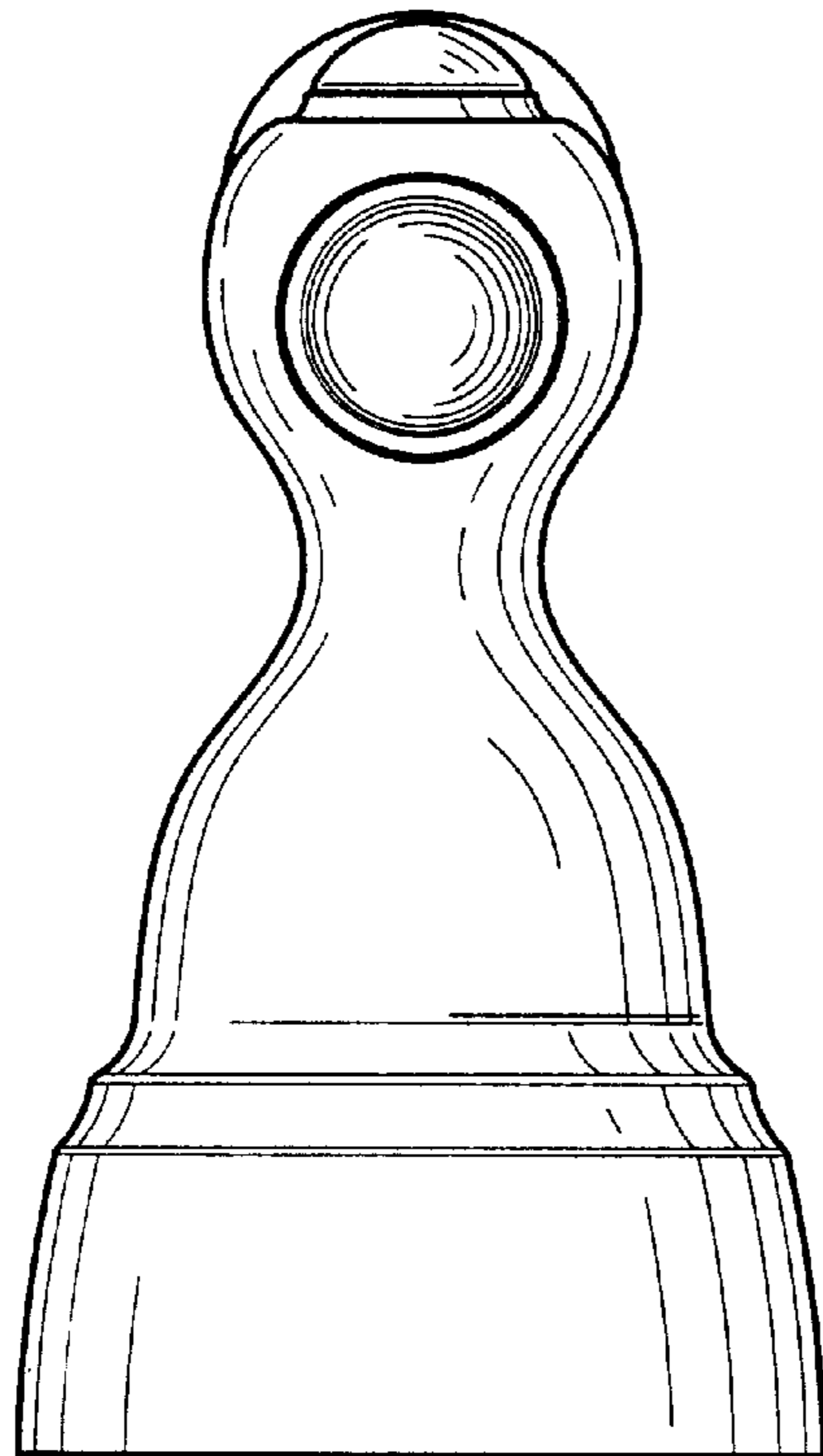


Figure - 5

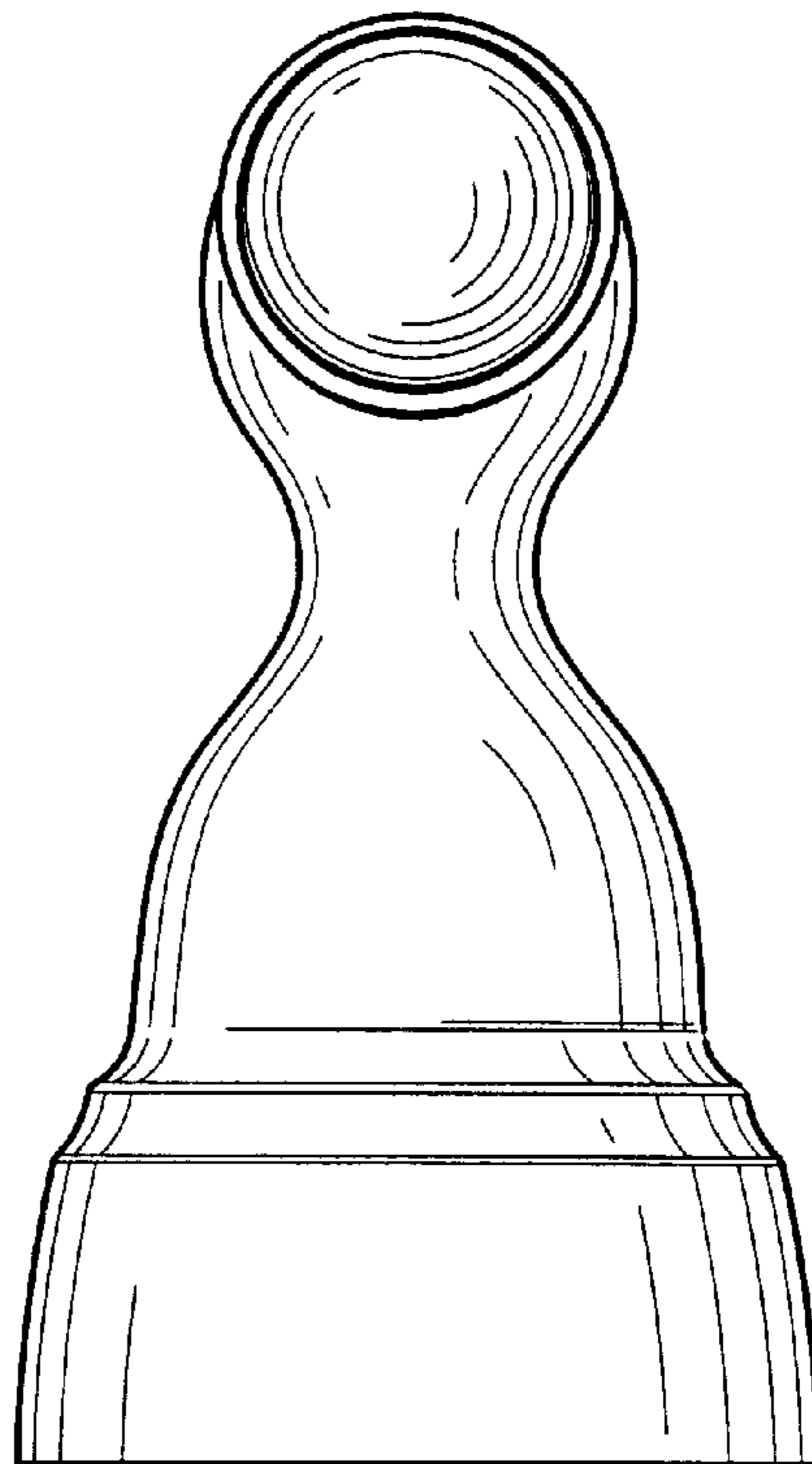


Figure - 6

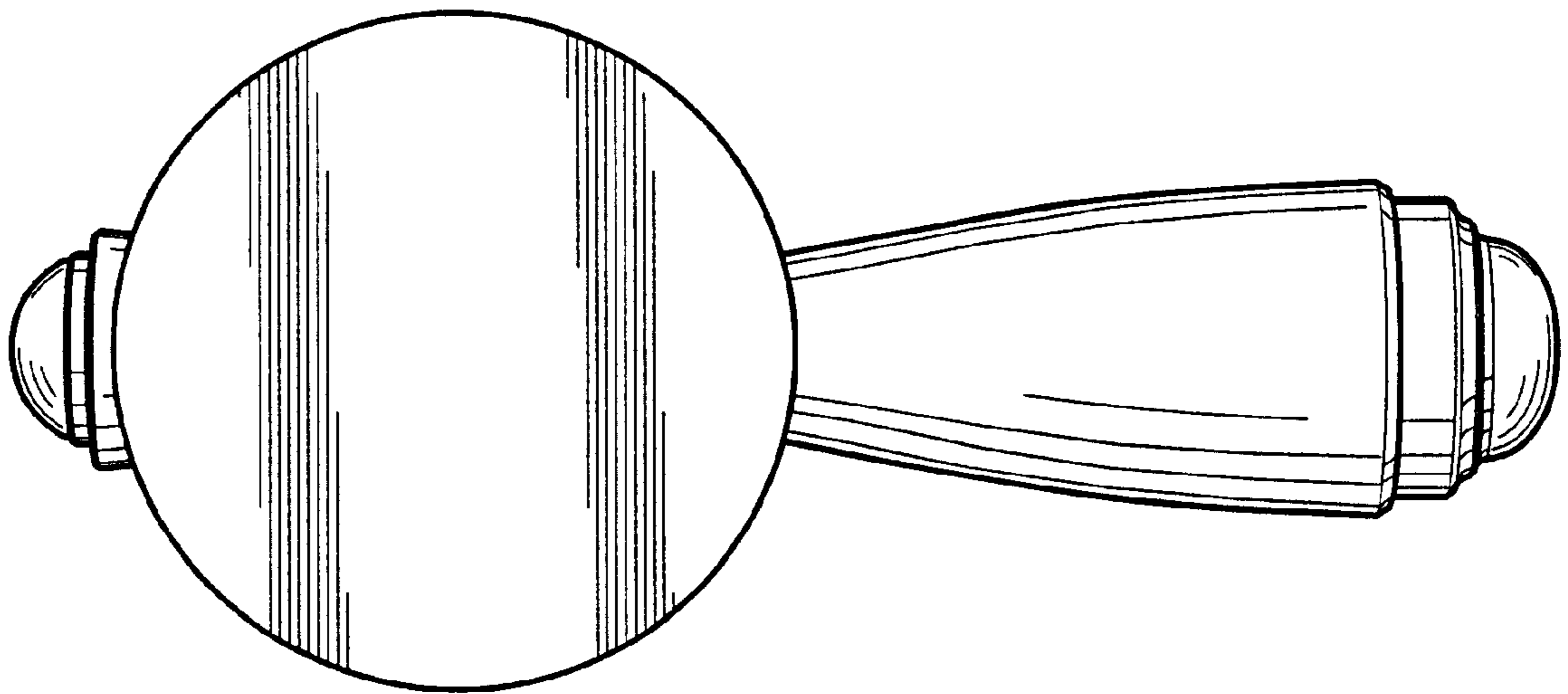


Figure - 7