



US00D444540S

(12) **United States Design Patent**
Pitsch

(10) **Patent No.:** **US D444,540 S**

(45) **Date of Patent:** **** Jul. 3, 2001**

(54) **FAUCET SPOUT BODY**

D. 400,648 * 11/1998 Fabian et al. D23/243

D. 412,740 * 8/1999 Pitsch D23/241

(75) Inventor: **Walter Pitsch**, Franklin Park, NJ (US)

* cited by examiner

(73) Assignee: **American Standard International Inc.**, New York, NY (US)

Primary Examiner—Louis S. Zarfes

Assistant Examiner—Gregory Andoll

(**) Term: **14 Years**

(57) **CLAIM**

(21) Appl. No.: **29/125,656**

The ornamental design for a faucet spout body, as shown and described.

(22) Filed: **Jun. 28, 2000**

DESCRIPTION

(51) **LOC (7) Cl.** **23-01**

(52) **U.S. Cl.** **D23/243; D23/241; D23/238; D23/242**

(58) **Field of Search** D23/238–243, D23/250–257; 4/675–678; 137/801

FIG. 1 is a perspective view of a faucet spout body showing my new design;

FIG. 2 is a front elevational view thereof;

FIG. 3 is a left side elevational view thereof, the right side view being a mirror image of the left side;

FIG. 4 is a rear elevational view thereof;

FIG. 5 is a top plan view thereof; and,

FIG. 6 is a bottom plan view thereof.

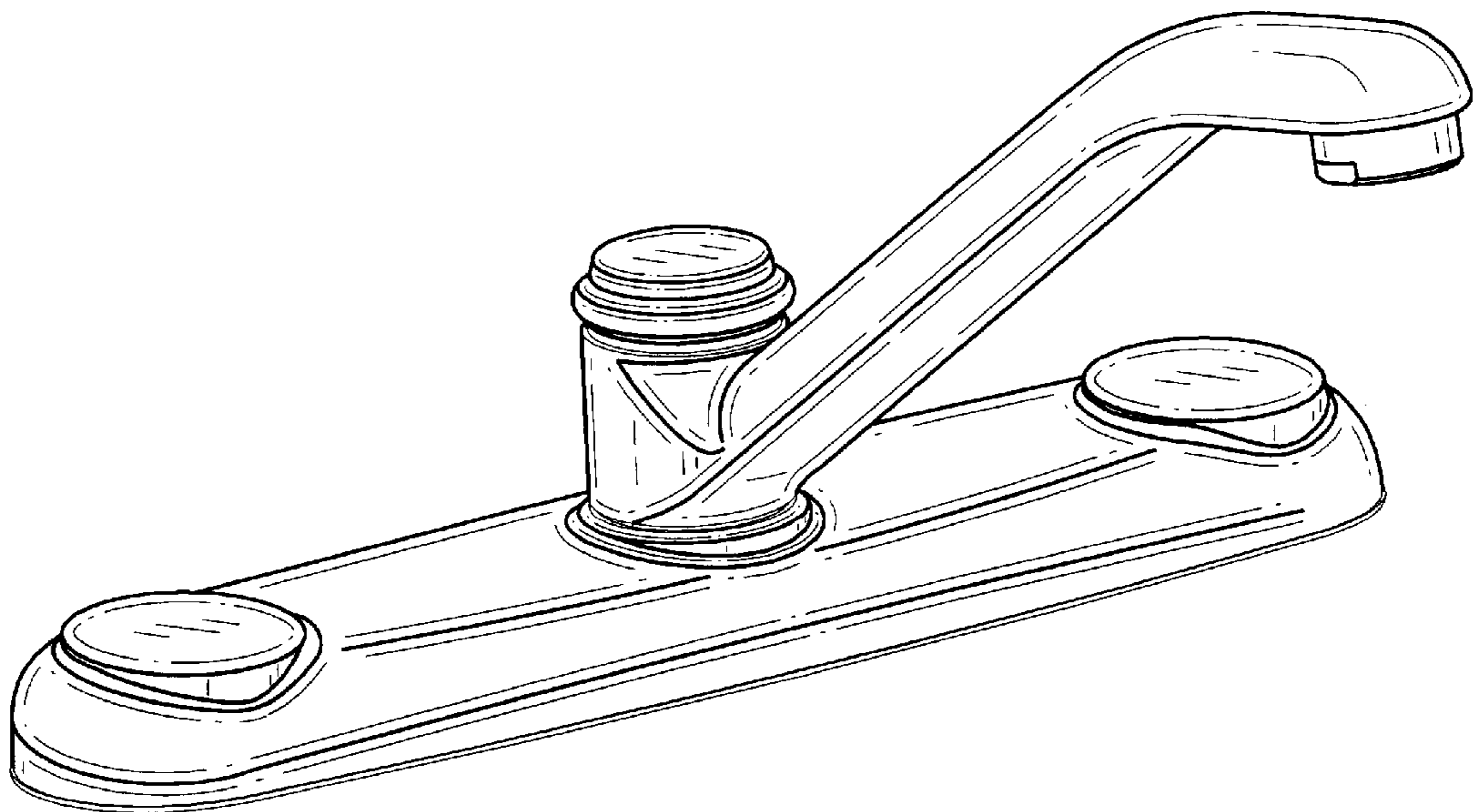
(56) **References Cited**

U.S. PATENT DOCUMENTS

D. 376,414 * 12/1996 Doughty et al. D23/241

D. 399,924 * 10/1998 Lord et al. D23/241

1 Claim, 6 Drawing Sheets



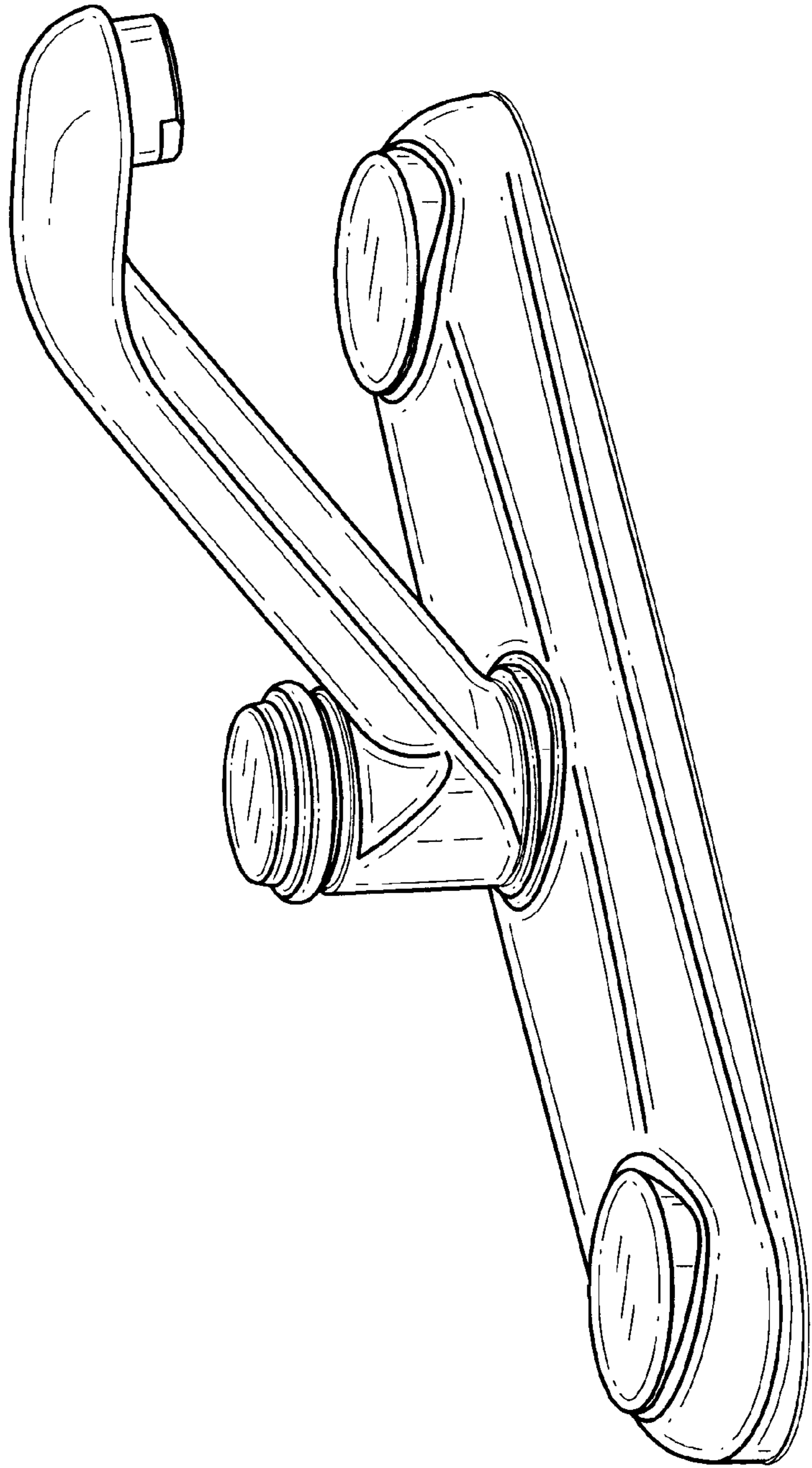


FIG. 1

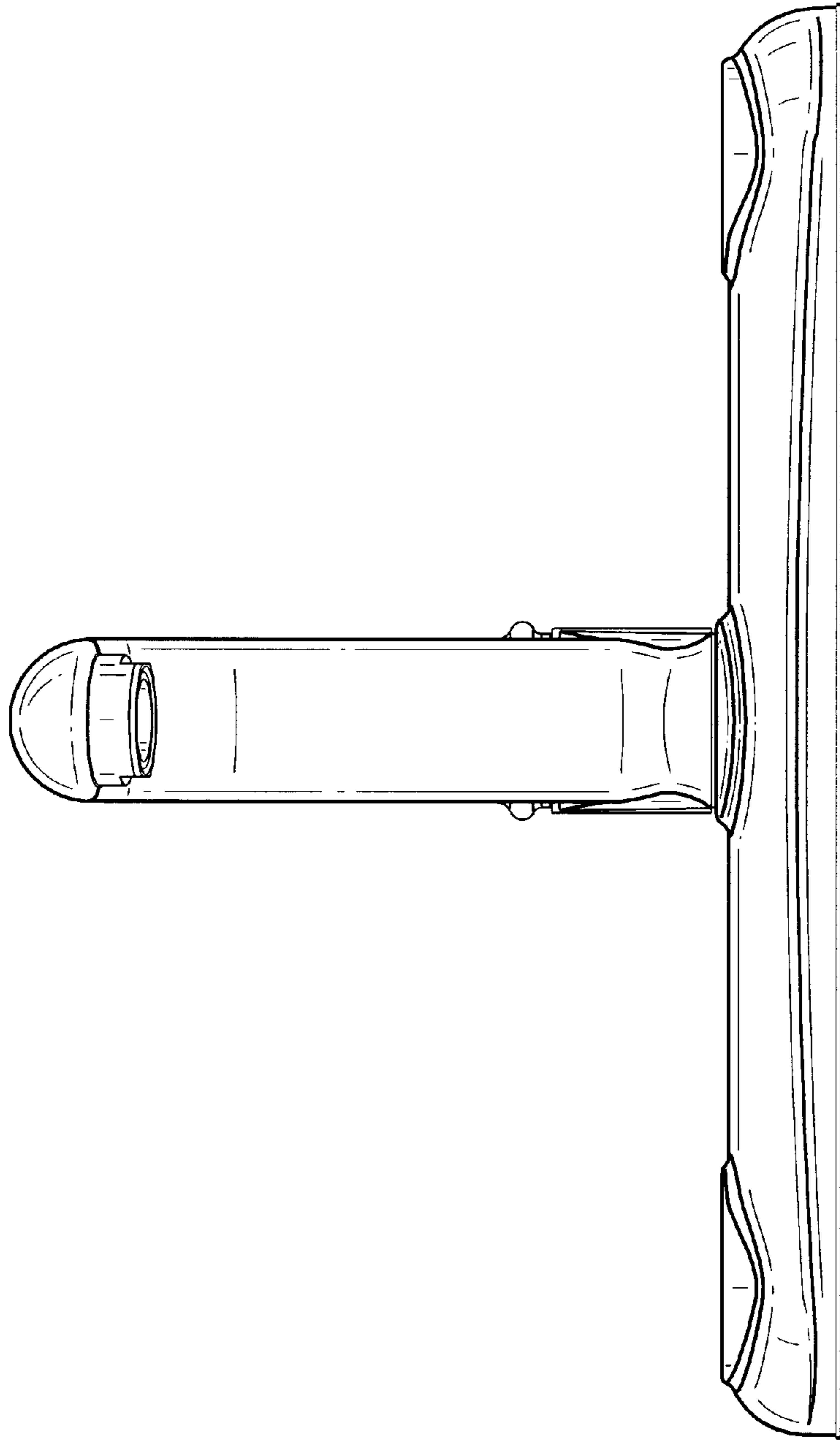


FIG. 2

FIG. 3

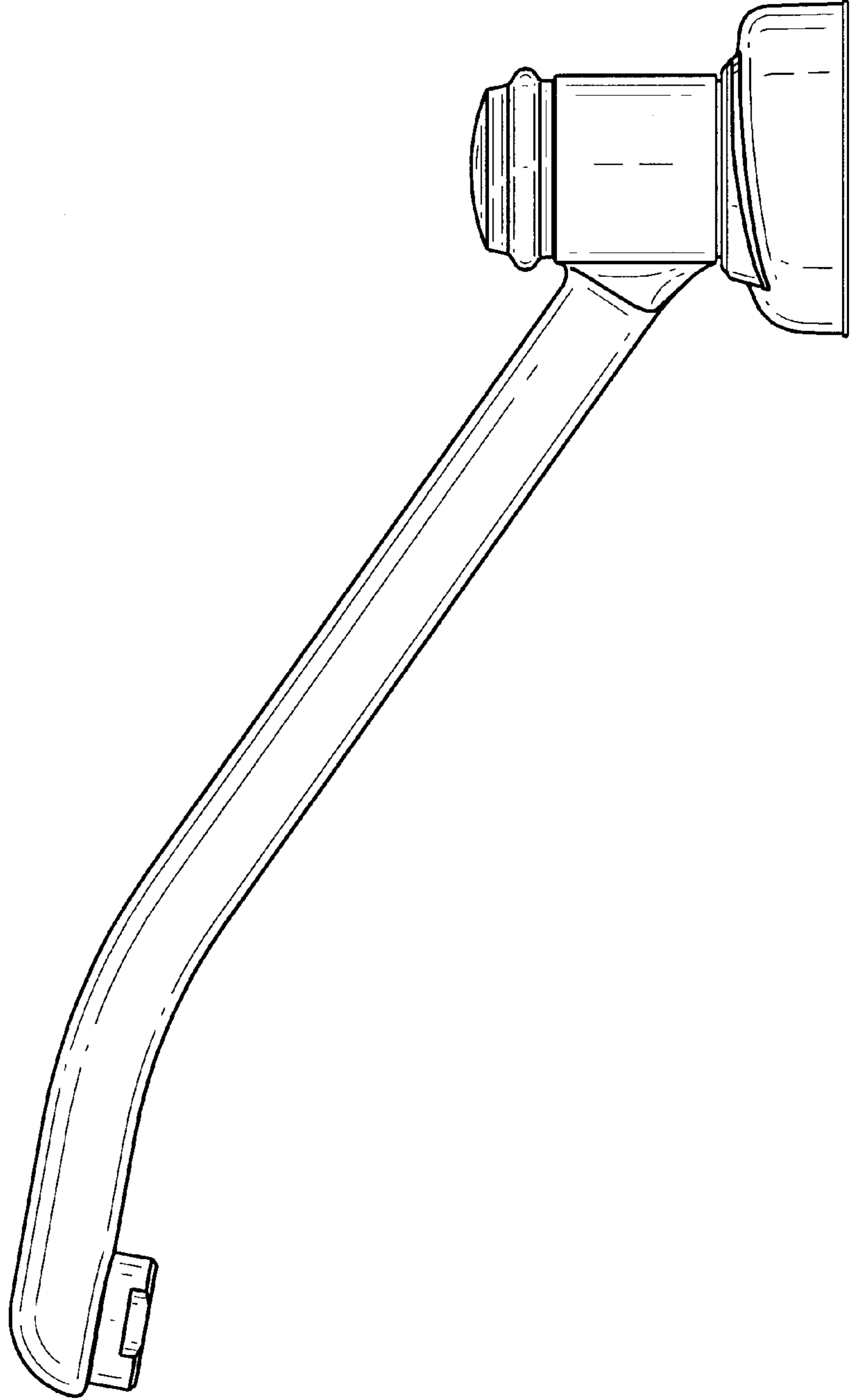
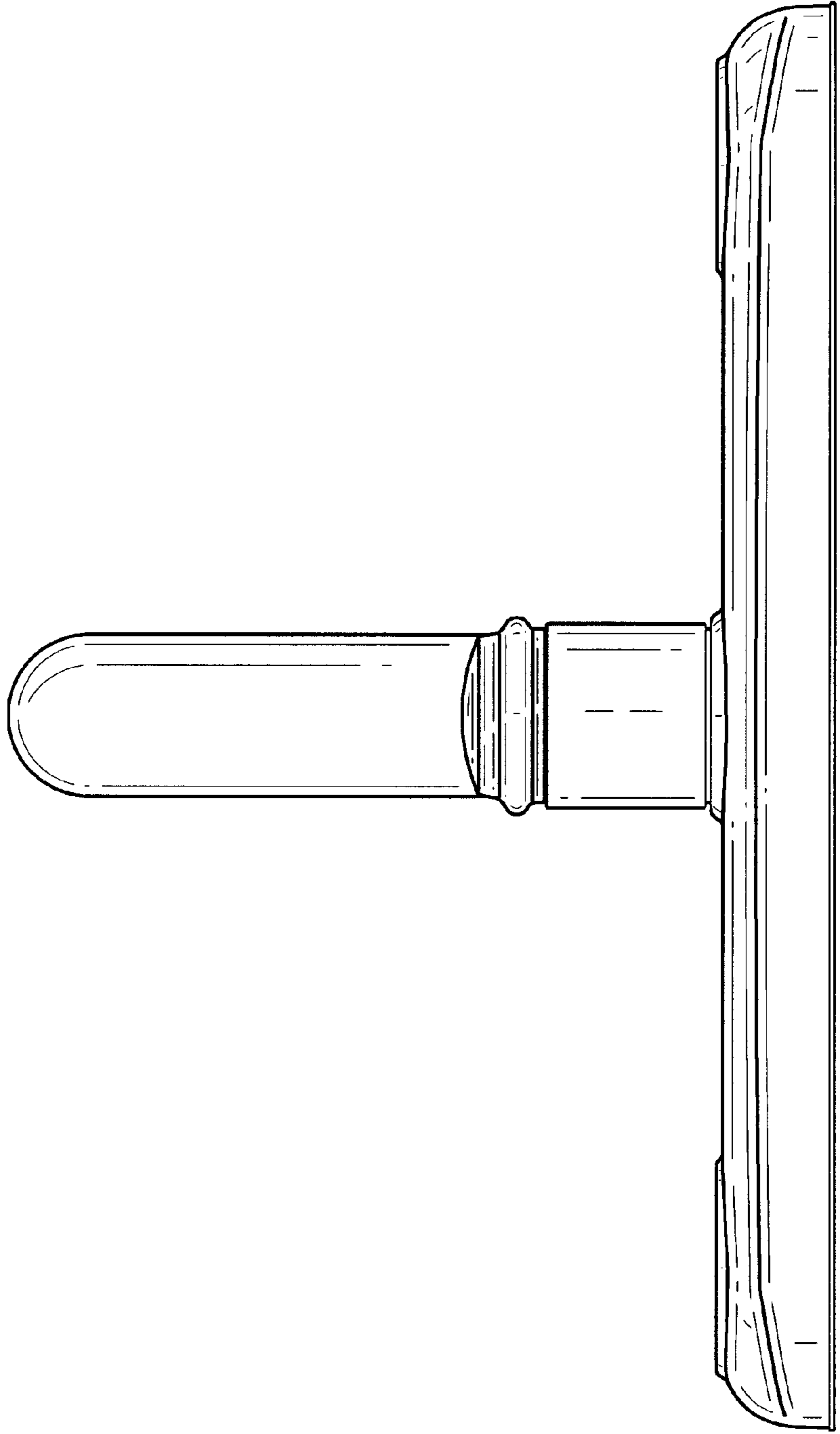


FIG. 4



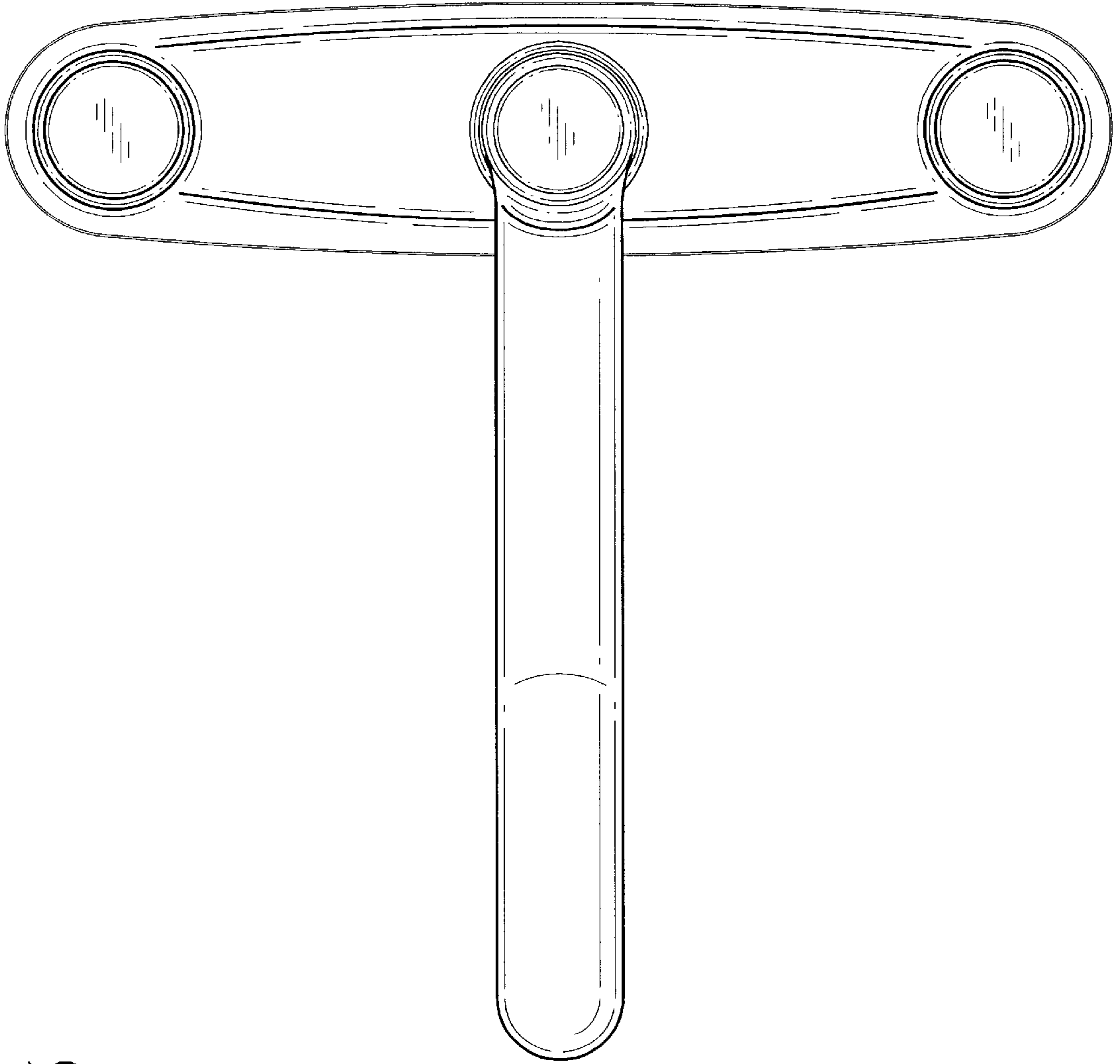


FIG. 5

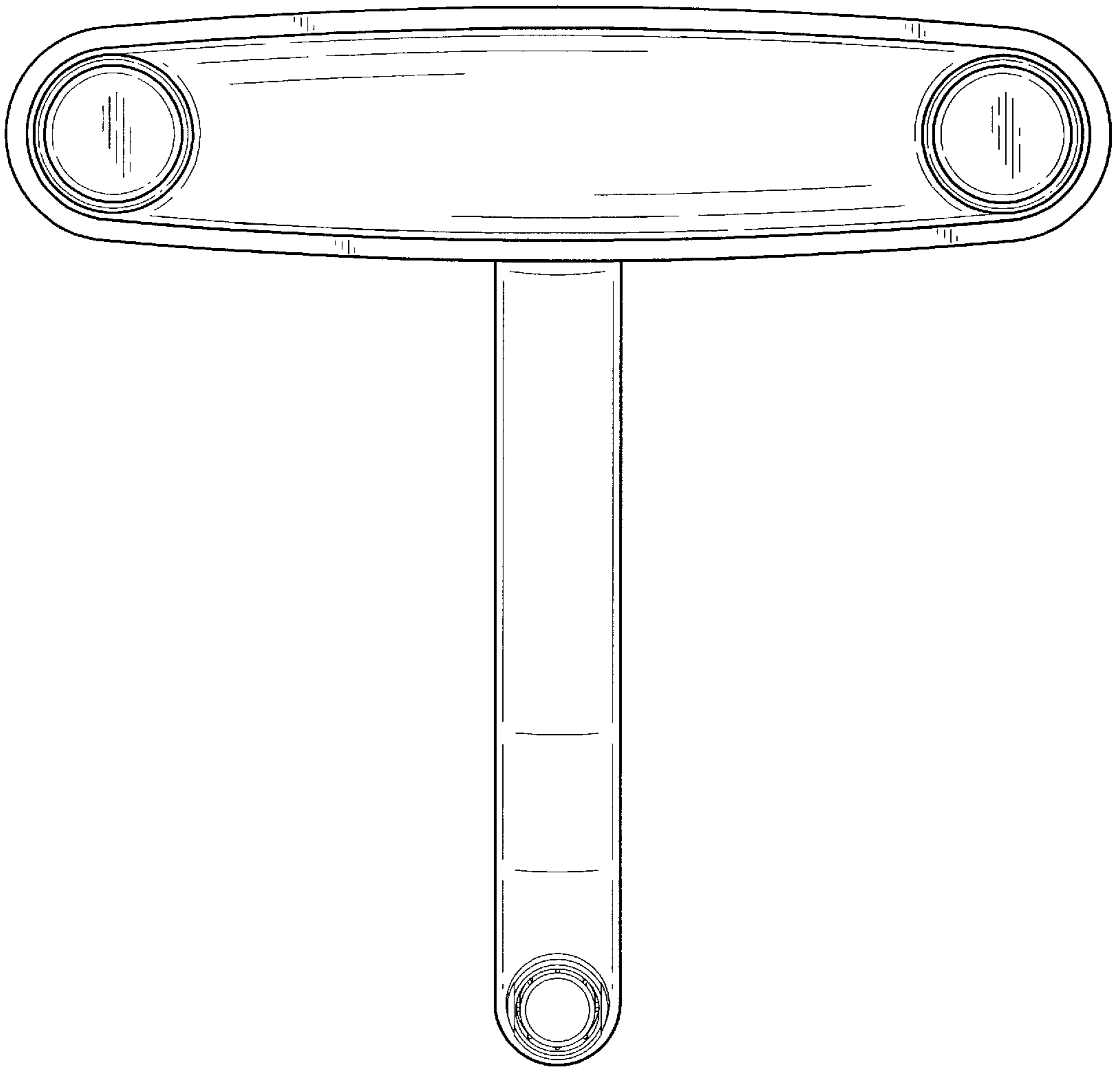


FIG. 6