



US00D444534S

(12) **United States Design Patent**
Carreau

(10) **Patent No.:** **US D444,534 S**

(45) **Date of Patent:** **** Jul. 3, 2001**

(54) **FLUID CONTAINMENT TANK**

(76) Inventor: **Pierre R. Carreau**, c/o Sofpool, 11371
Pyrites Way, Suite 1, Rancho Cordova,
CA (US) 95670

(**) Term: **14 Years**

(21) Appl. No.: **29/122,938**

(22) Filed: **May 8, 2000**

(51) **LOC (7) Cl.** **23-01**

(52) **U.S. Cl.** **D23/202**

(58) **Field of Search** D23/202, 203;
220/565-7, 4.12

(56) **References Cited**

U.S. PATENT DOCUMENTS

- D. 103,235 * 2/1937 Horton D23/202
- D. 340,504 * 10/1993 Verrue D23/202
- D. 408,546 4/1999 Carreau .
- 2,094,589 * 10/1937 Day D23/202

* cited by examiner

Primary Examiner—Robin V. Taylor

(74) *Attorney, Agent, or Firm*—R. Michael West; Boutin,
Dentino, Gibson, Di Giusto, Hodell & West

(57) **CLAIM**

The ornamental design for a fluid containment tank, as shown and described.

DESCRIPTION

FIG. 1 is a perspective view of a fluid containment tank, showing my new design;

FIG. 2 is a top plan view, thereof;

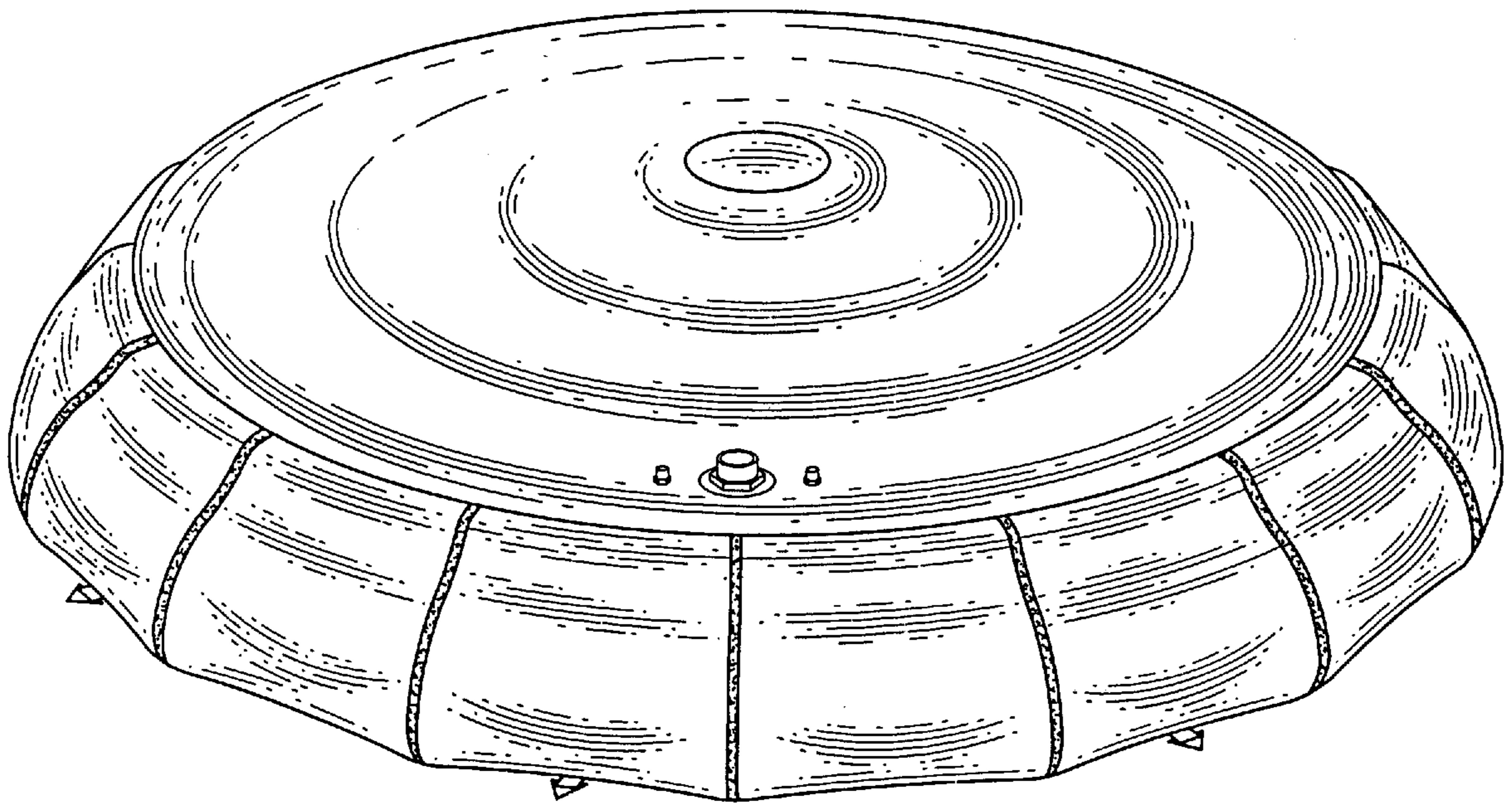
FIG. 3 is a front elevational view, thereof;

FIG. 4 is a bottom plan view, thereof;

FIG. 5 is a right hand side elevational view, thereof, the left hand side elevational view being a mirror image, thereof; and,

FIG. 6 is a rear elevational view, thereof.

1 Claim, 3 Drawing Sheets



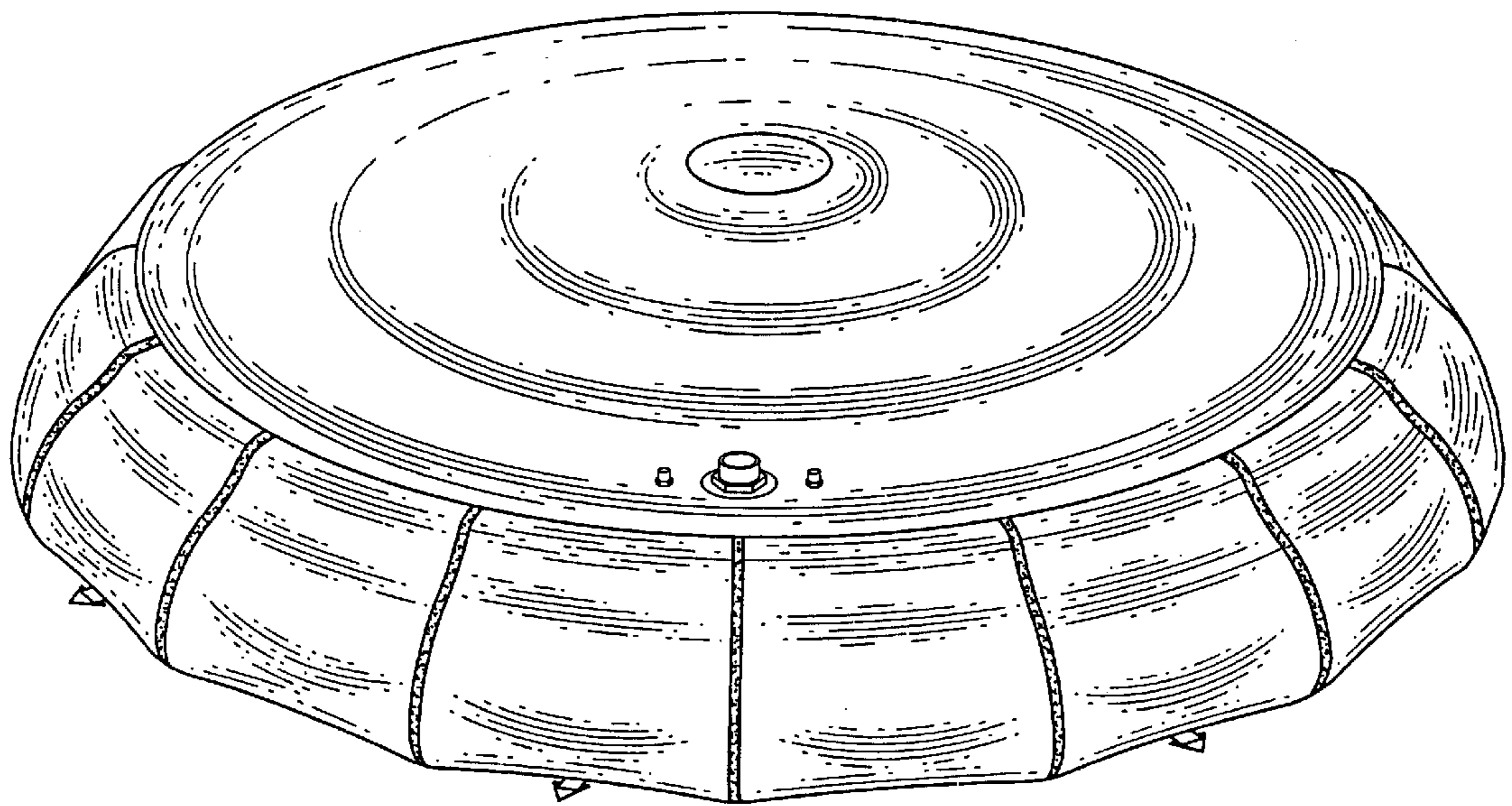


Fig. 1

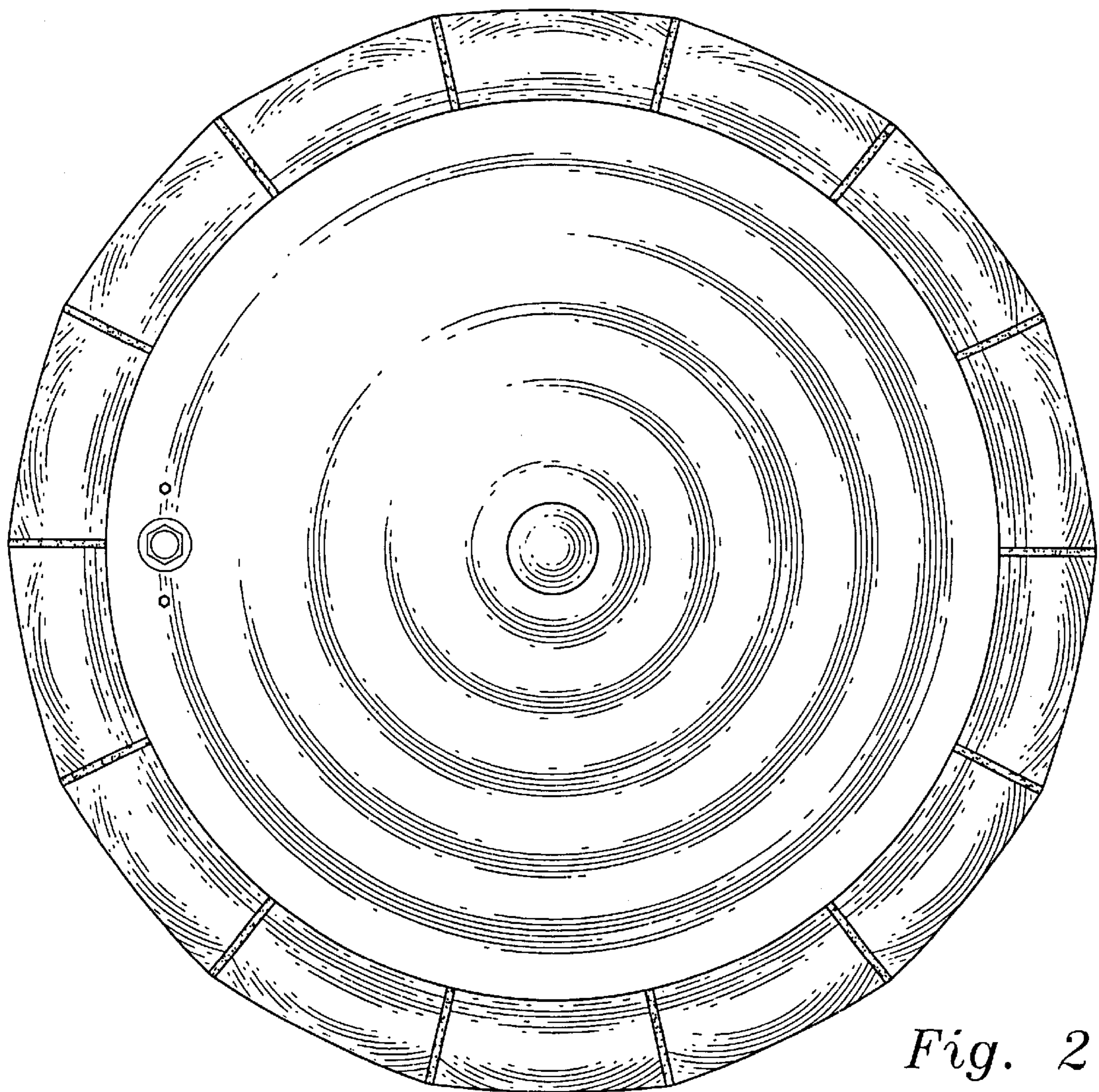


Fig. 2

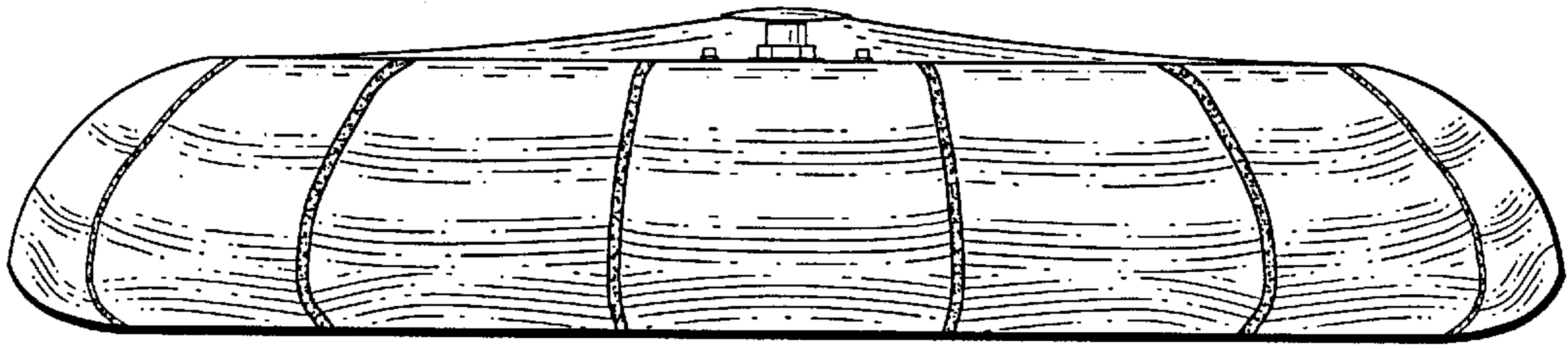


Fig. 3

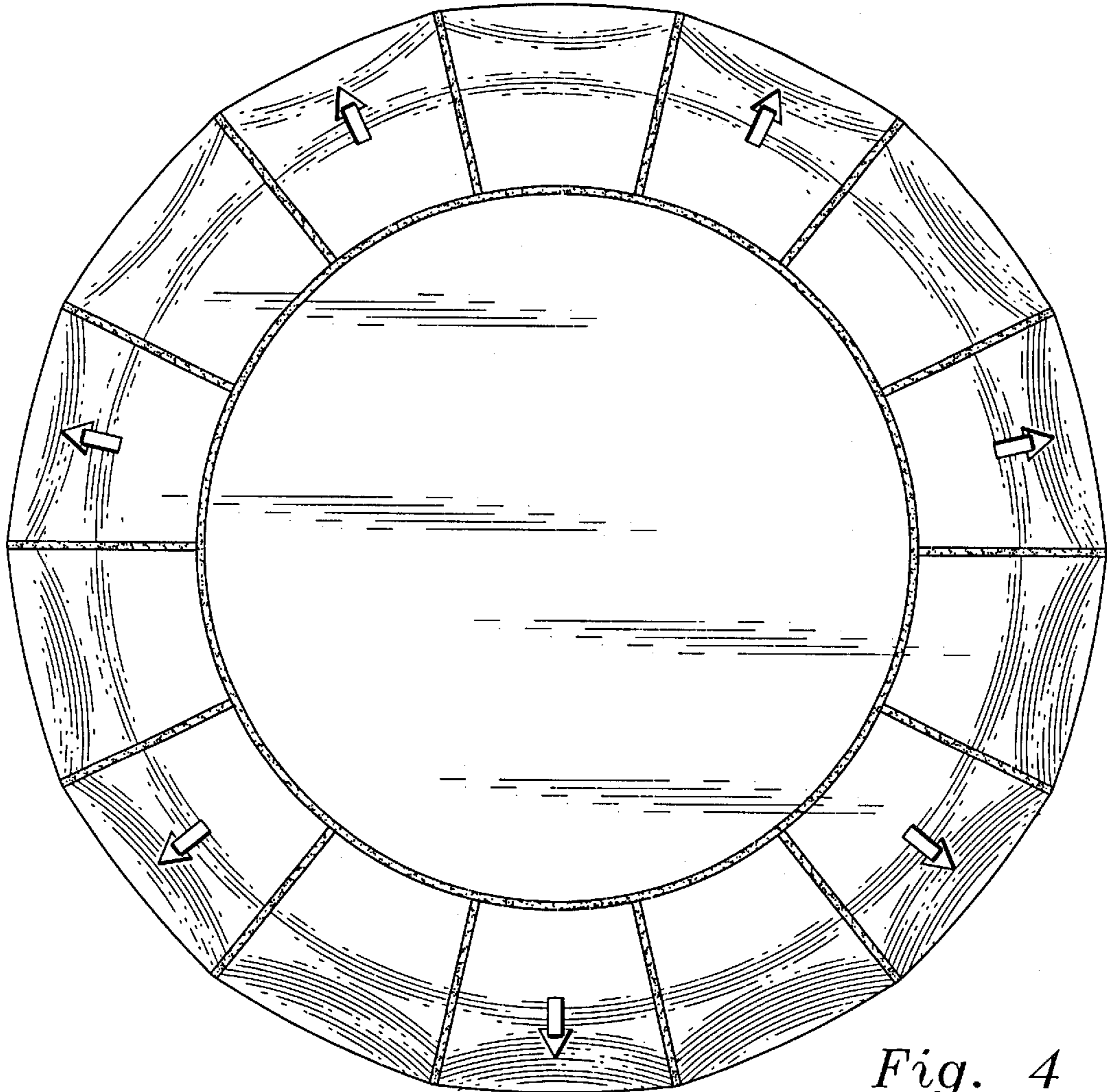


Fig. 4

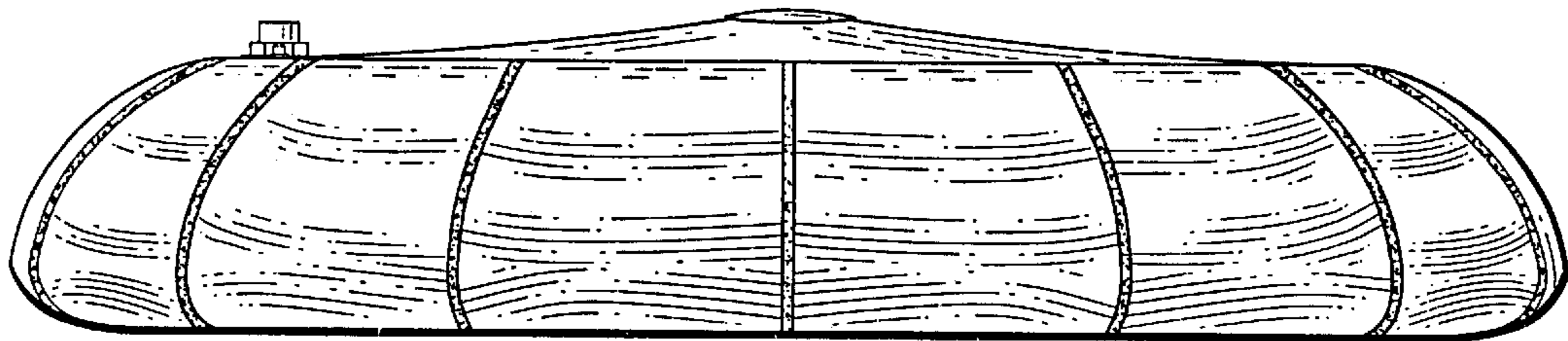


Fig. 5

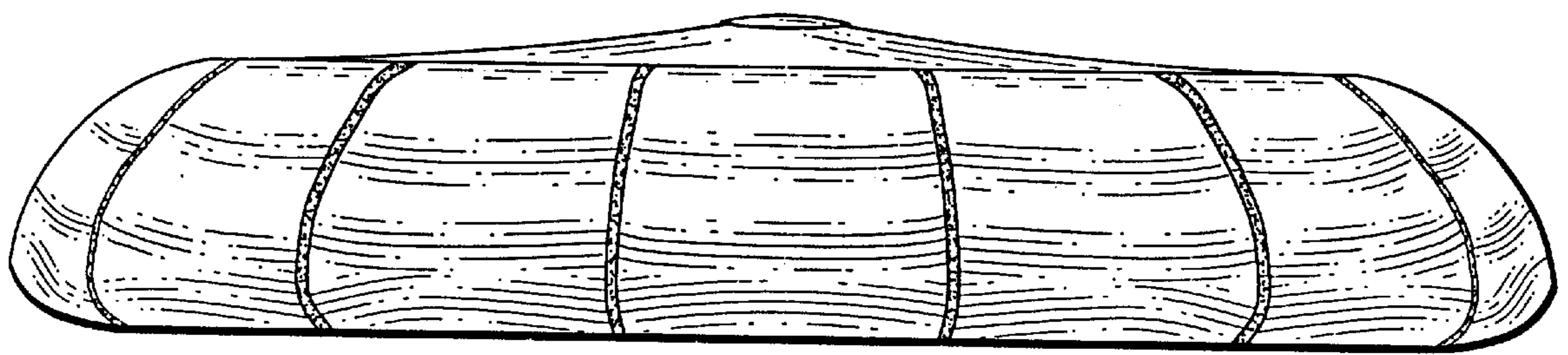


Fig. 6