



US00D444531S

(12) **United States Design Patent**  
**Squillante et al.**

(10) **Patent No.:** **US D444,531 S**

(45) **Date of Patent:** **\*\* Jul. 3, 2001**

(54) **ILLUMINATING MOUNT SYSTEM FOR THE HK MP5, 91, 93 AND OTHER ASSAULT TYPE RIFLES**

(76) Inventors: **Michael Jon Squillante**, 1353 Unter Ave. NW., Palm Bay, FL (US) 32907;  
**Oscar Michener Fell**, 64 Yacht Haven Dr., Cocoa Beach, FL (US) 32931

(\*\*) Term: **14 Years**

(21) Appl. No.: **29/119,684**

(22) Filed: **Mar. 6, 2000**

(51) **LOC (7) Cl.** ..... **22-01**

(52) **U.S. Cl.** ..... **D22/110**

(58) **Field of Search** ..... D22/108, 109, D22/110; 33/245, 246, 247, 248, 249, 250; 42/100, 101, 103; 362/110, 113, 114

(56) **References Cited**

**U.S. PATENT DOCUMENTS**

|            |   |        |              |       |         |   |
|------------|---|--------|--------------|-------|---------|---|
| D. 394,096 | * | 5/1998 | Edgar        | ..... | D22/109 | X |
| D. 422,045 | * | 3/2000 | Fell et al.  | ..... | D22/110 |   |
| 2,407,977  | * | 9/1946 | English      | ..... | 33/250  |   |
| 2,545,419  | * | 3/1951 | Williams     | ..... | 33/250  |   |
| 5,040,322  | * | 8/1991 | Iturrey, Jr. | ..... | 362/110 | X |

\* cited by examiner

*Primary Examiner*—Louis S. Zarfaz  
*Assistant Examiner*—Monica A. Weingart

(57) **CLAIM**

The ornamental design for a illuminating mount system for the HK MP5, 91, 93 and other assault type rifles, as shown and described.

**DESCRIPTION**

FIG. 1 is a top, front, and left side perspective view of the illuminating mount system for the MP5, 91, 93, and other assault type rifles showing our new design;

FIG. 2 is a right elevation view of the assembled embodiment of the invention, the left side being a mirror image;

FIG. 3 is an exploded view of the embodiment of the invention, which consist of the body, wedge, cam and mounting hardware;

FIG. 4 is a top elevation view of the Body element of the embodiment of the invention;

FIG. 5 is a right elevation view thereof, the left side being a mirror image;

FIG. 6 is a front elevation view thereof;

FIG. 7 is a top, front, right side perspective view of the Cam element of the embodiment of the invention;

FIG. 8 is a top elevation view thereof;

FIG. 9 is a front elevation view thereof;

FIG. 10 is a right side elevation view thereof, the left side being a mirror image;

FIG. 11 is a top, front, right side perspective view of the Wedge element of the embodiment of the invention;

FIG. 12 is a top elevation view thereof;

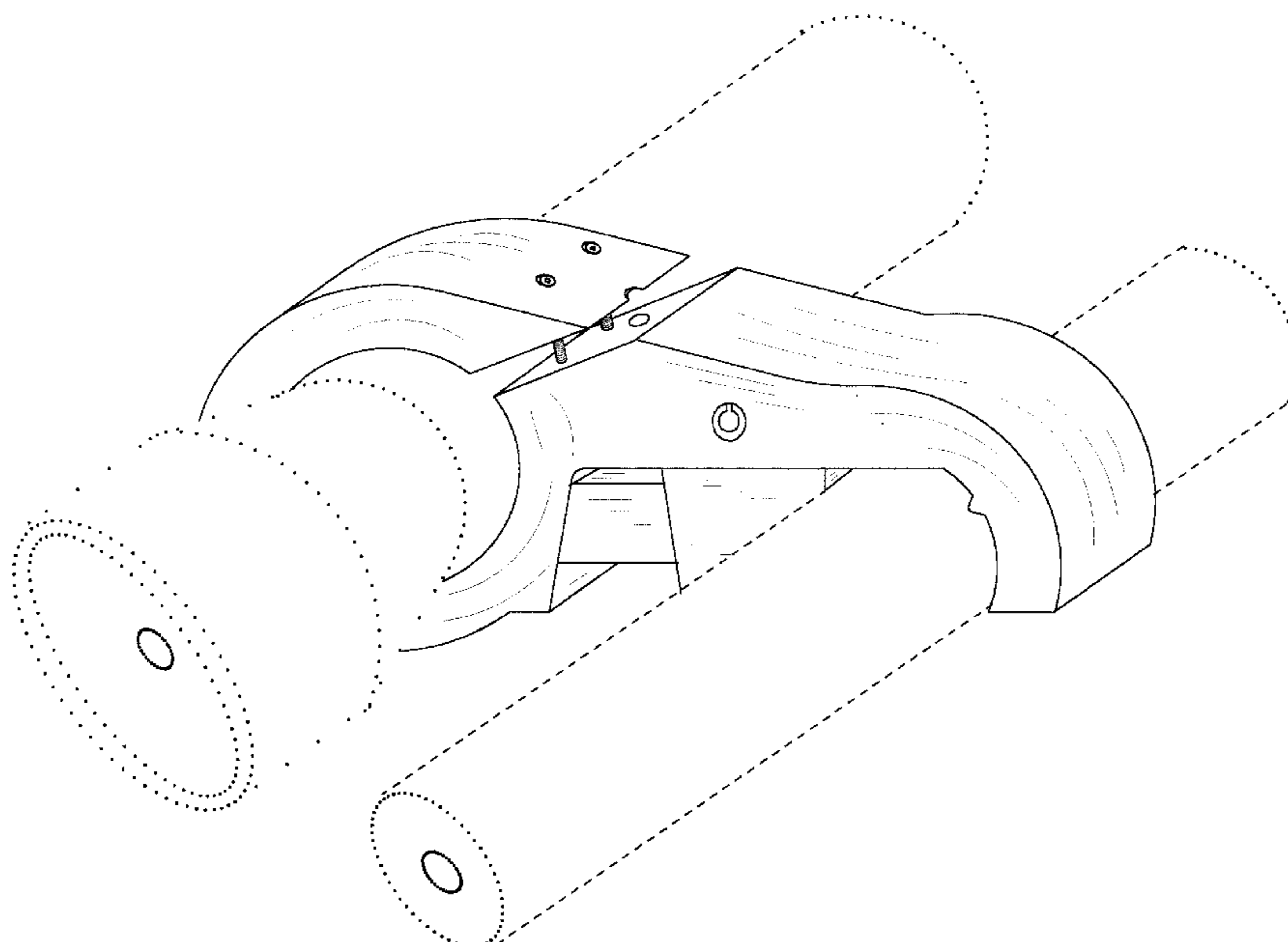
FIG. 13 is a front elevation view thereof; and,

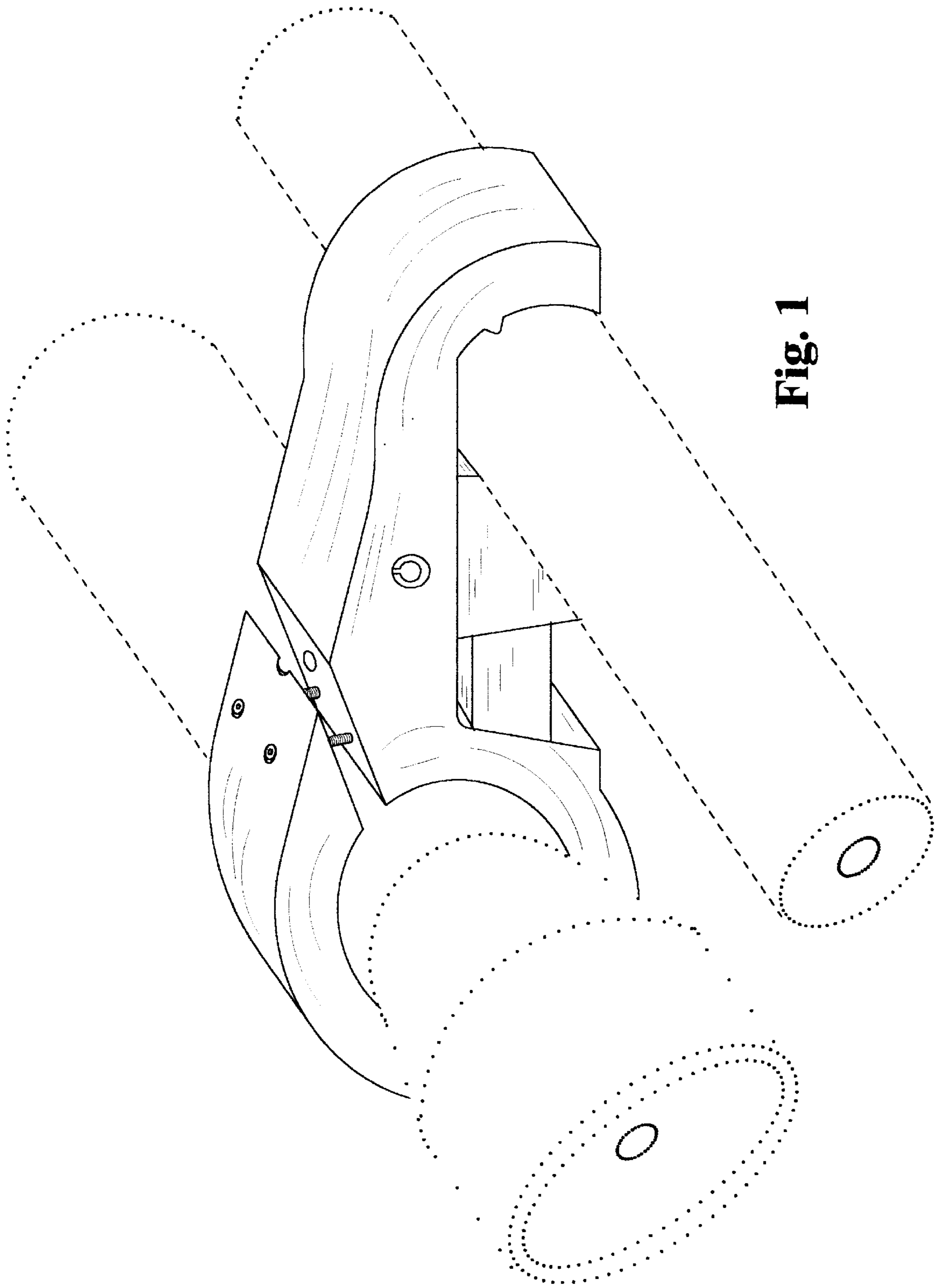
FIG. 14 is a right side elevation view thereof, the left side being a mirror image.

The gun barrel and flashlight are shown in broken lines in FIG. 1 for illustrative purposes only and form no part of the claimed design.

The bottom surface of the illuminating mount system for the MP5, 91, 93 and other assault type rifles, with or without mounting hardware, is not shown in the drawing or described in the specification and is understood to form no part of the claimed design.

**1 Claim, 3 Drawing Sheets**





**Fig. 1**

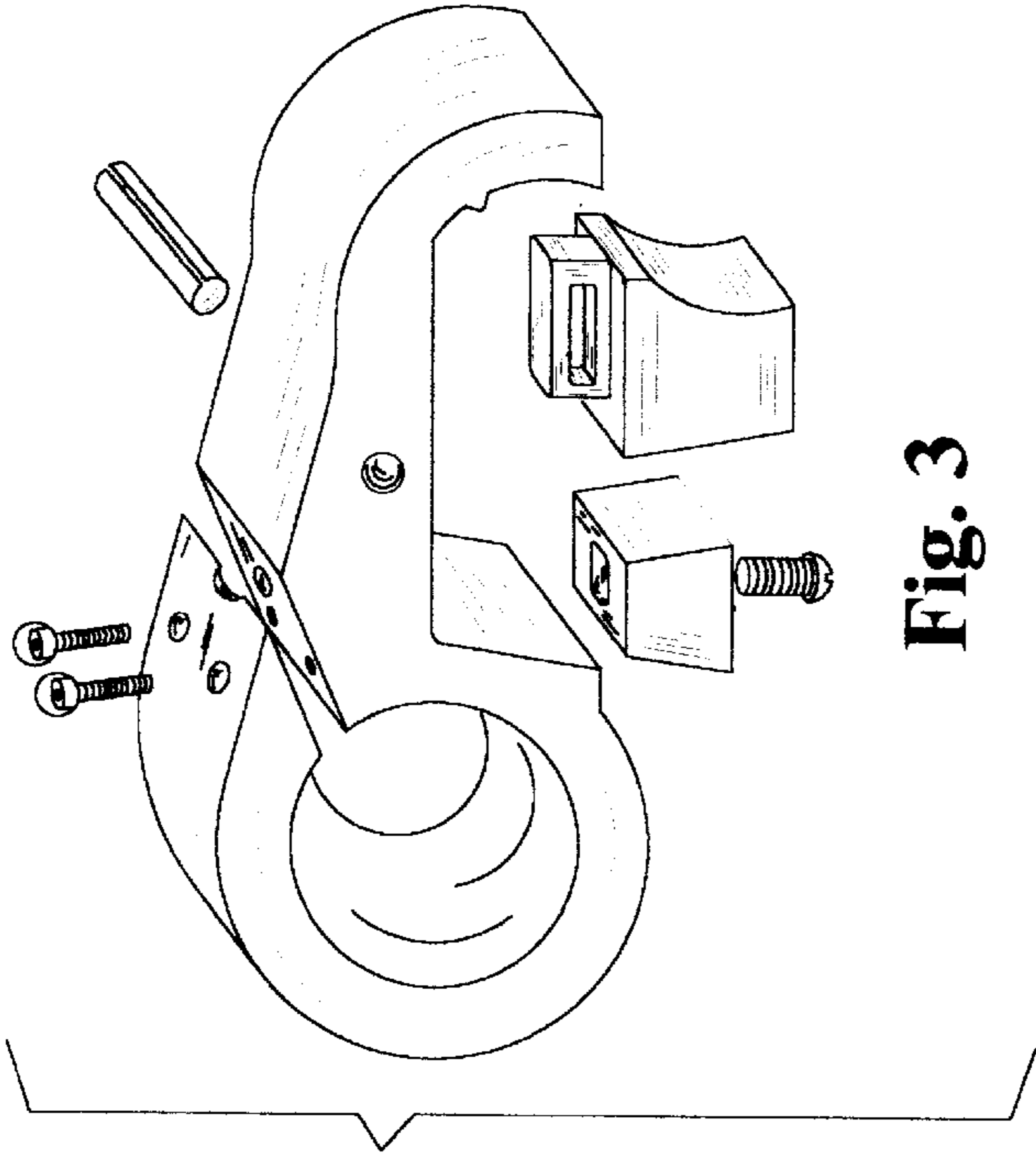


Fig. 3

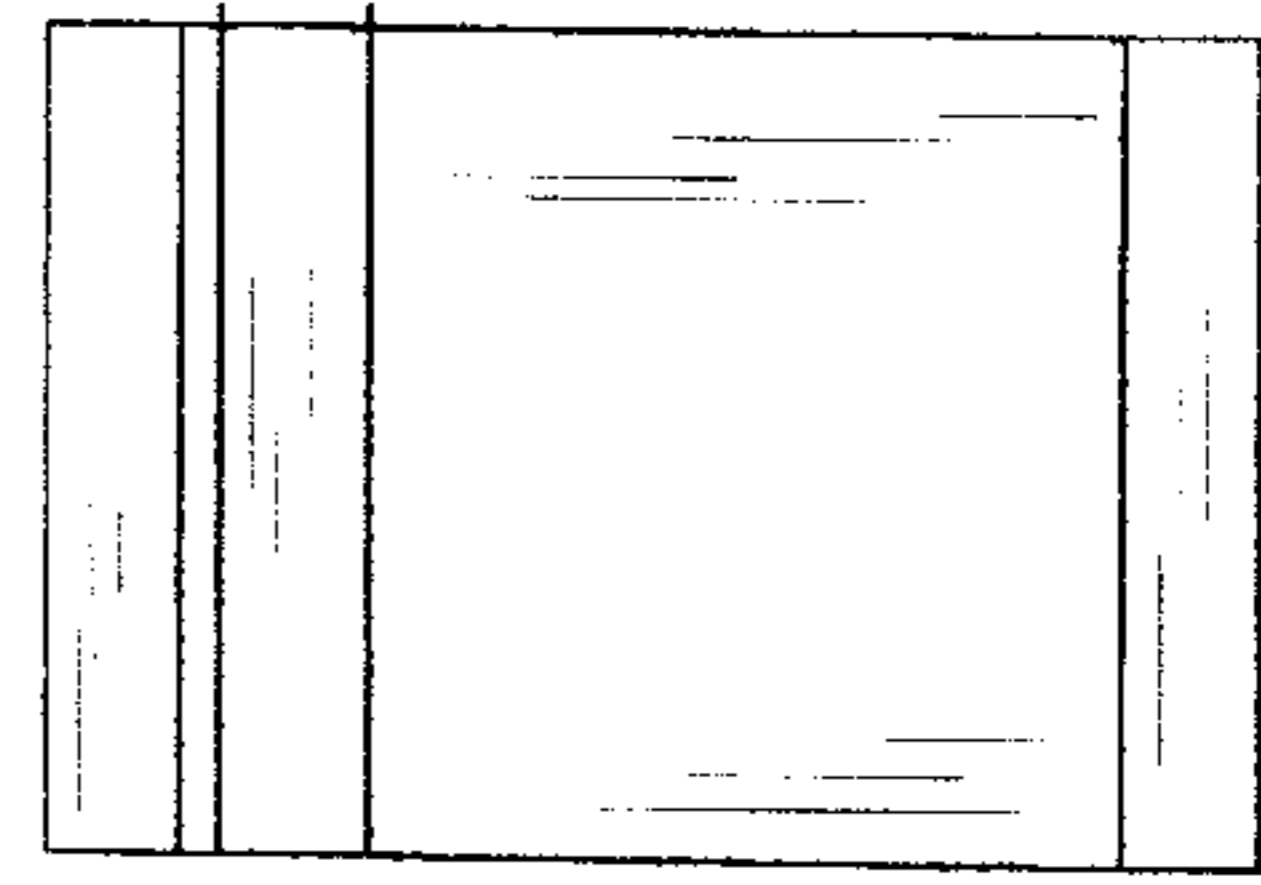


Fig. 6

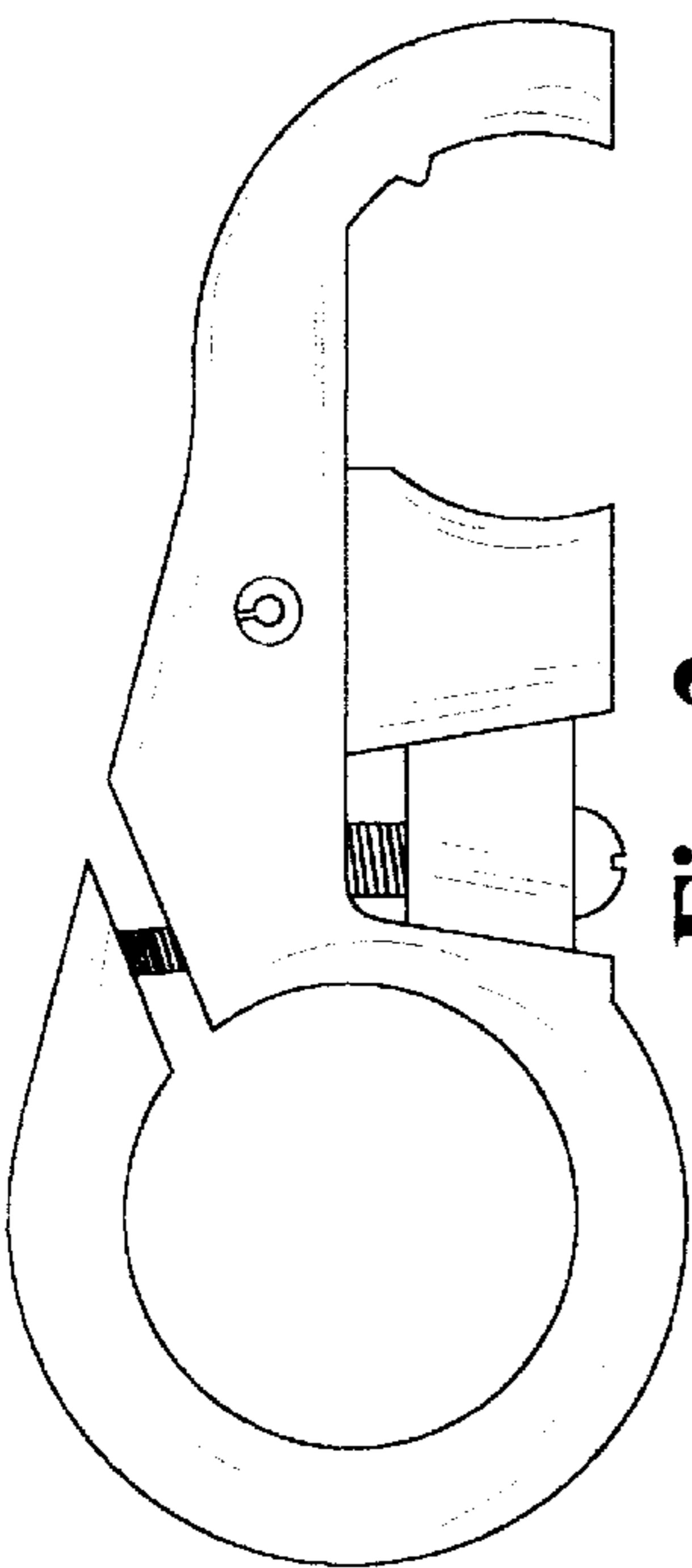


Fig. 2

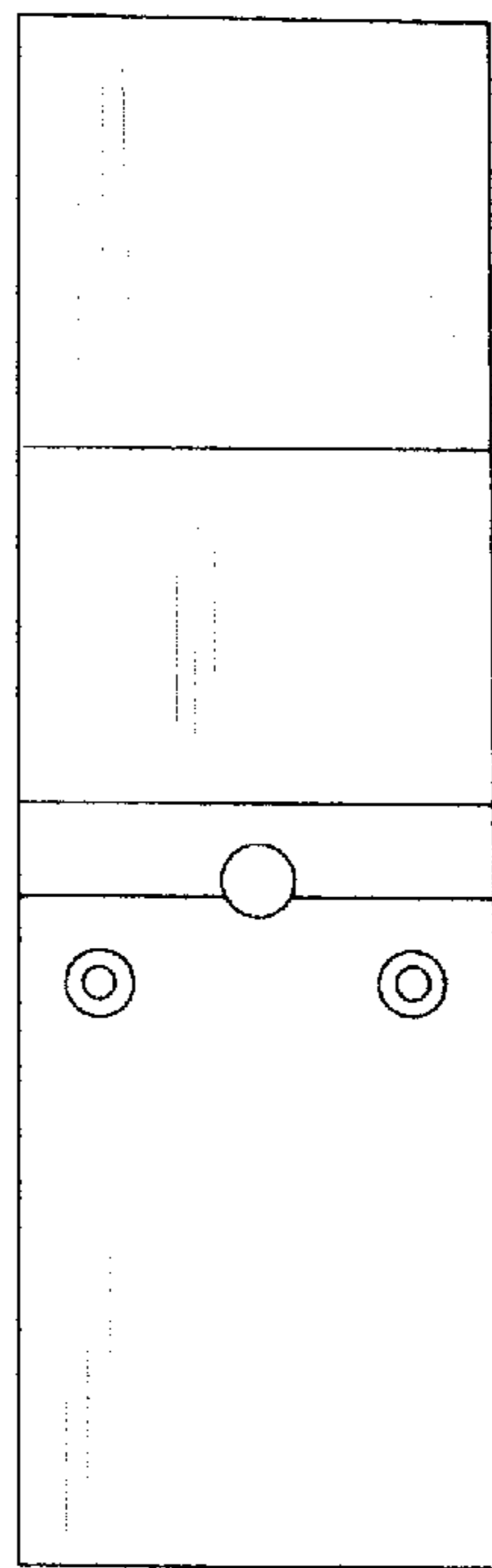


Fig. 4

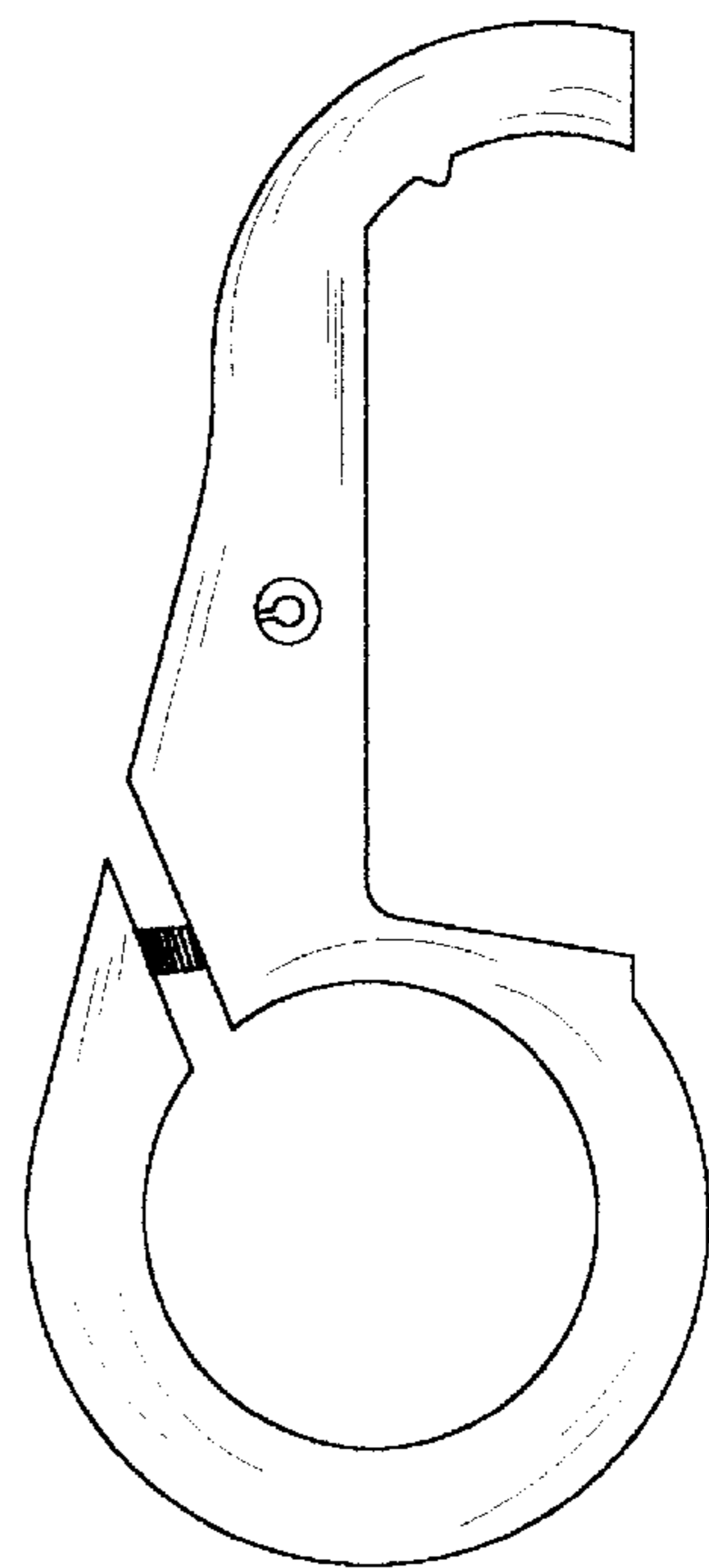
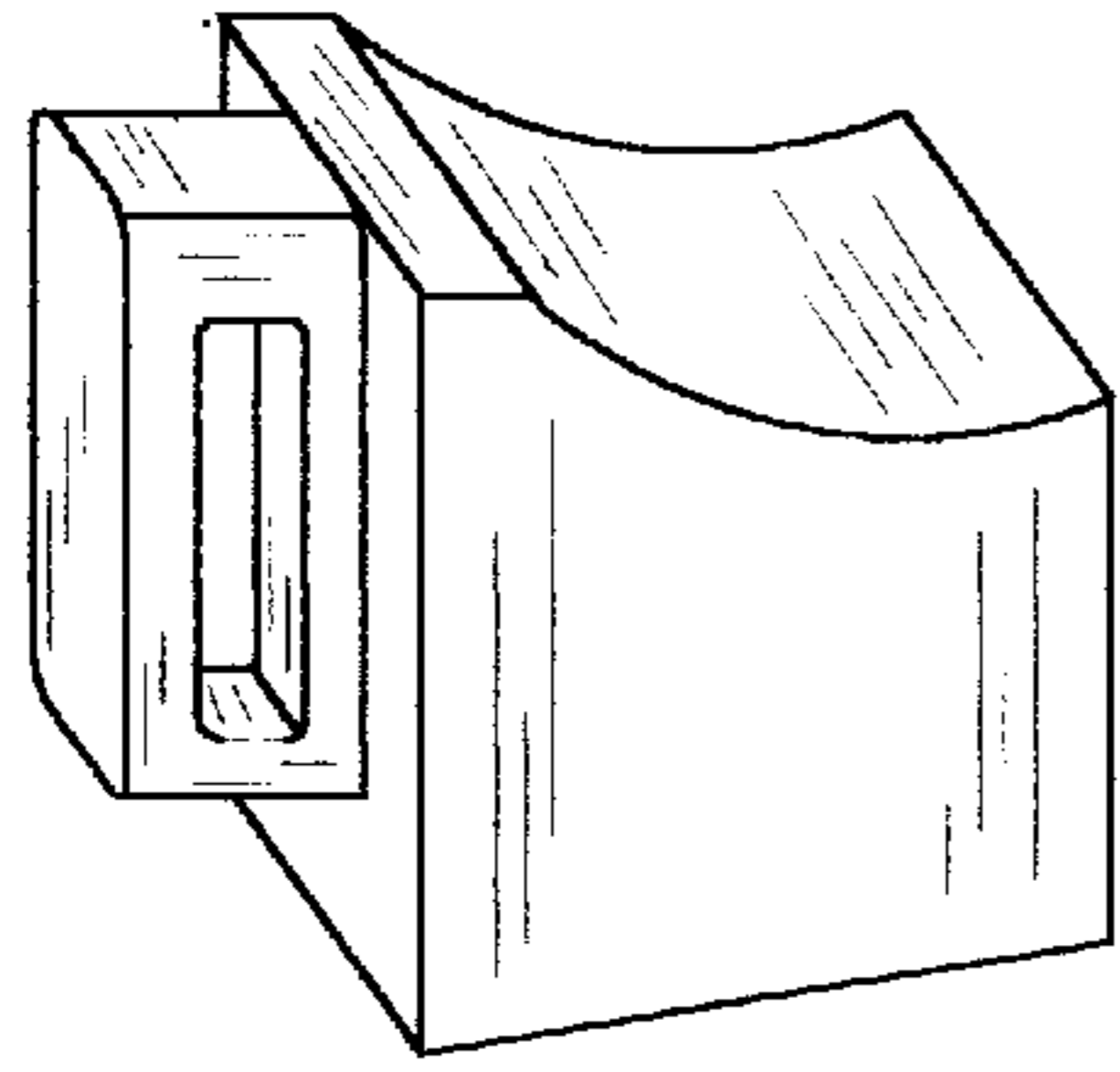
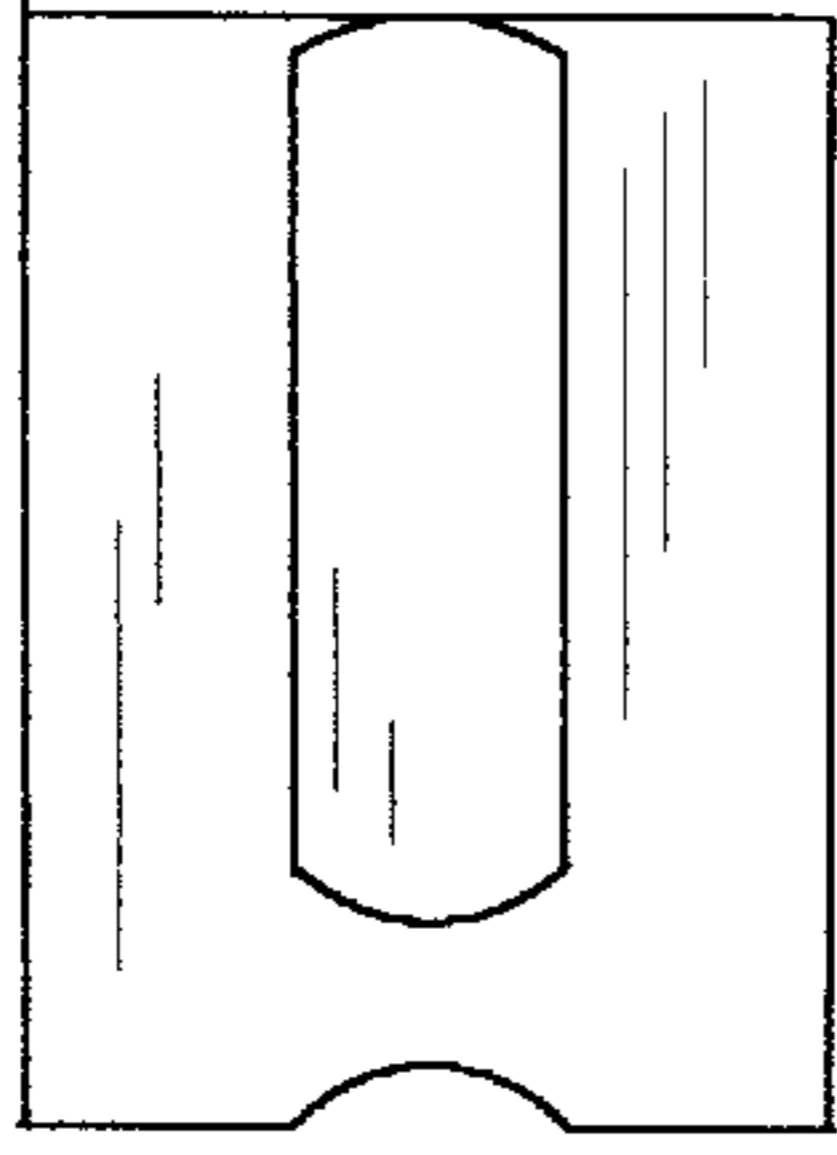


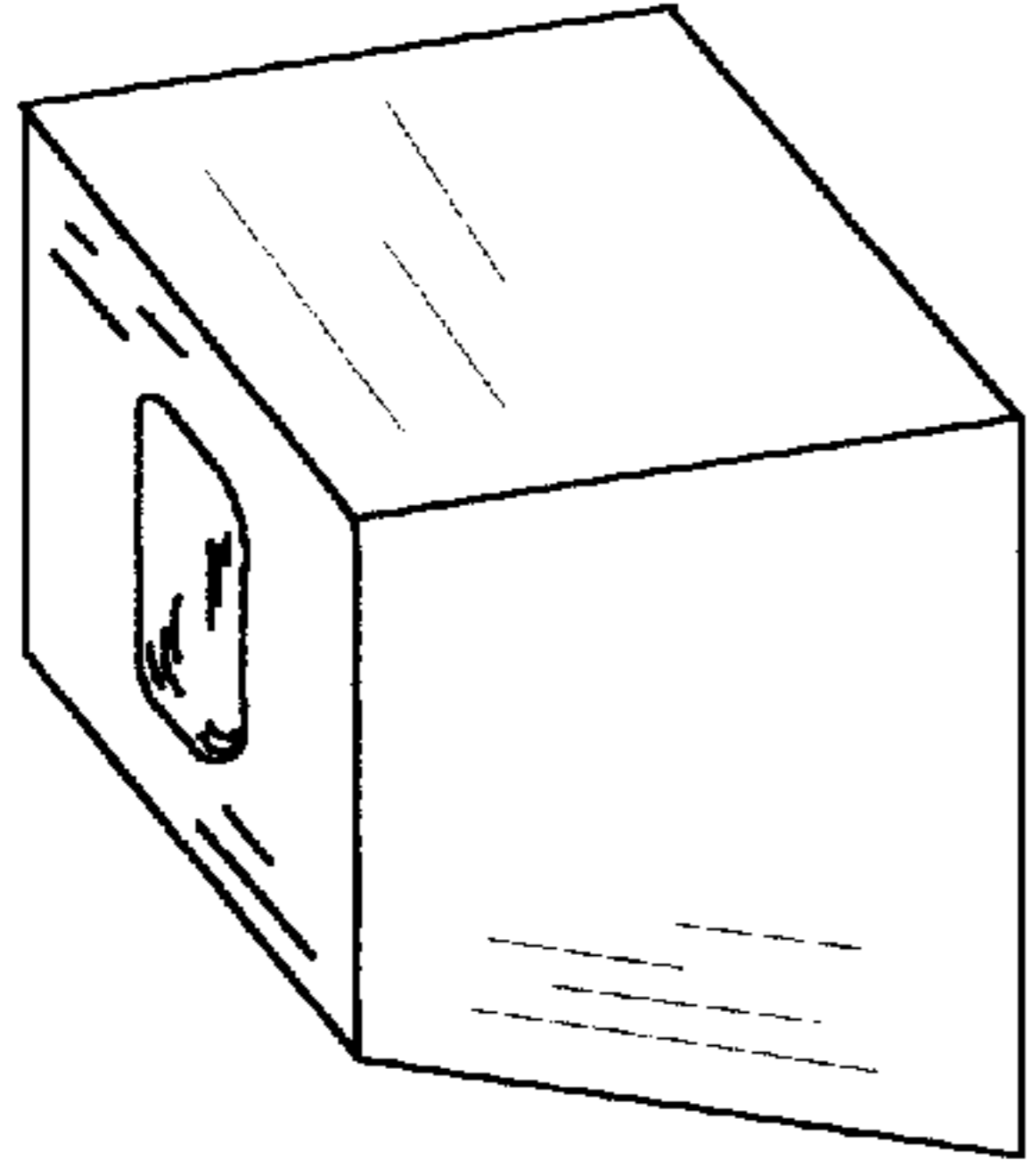
Fig. 5



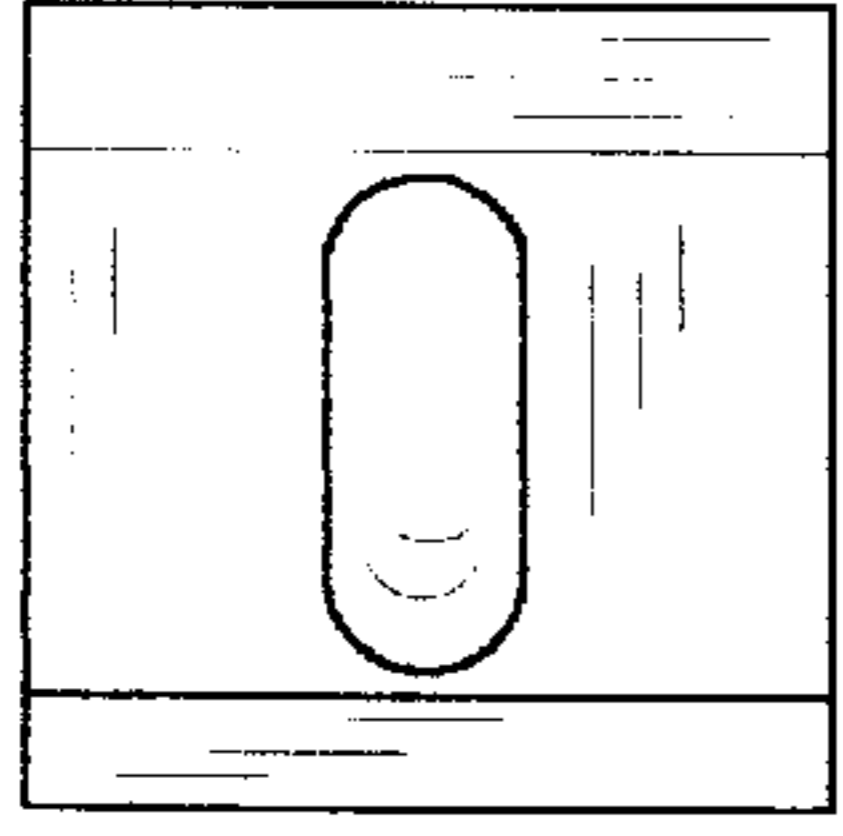
**Fig. 7**



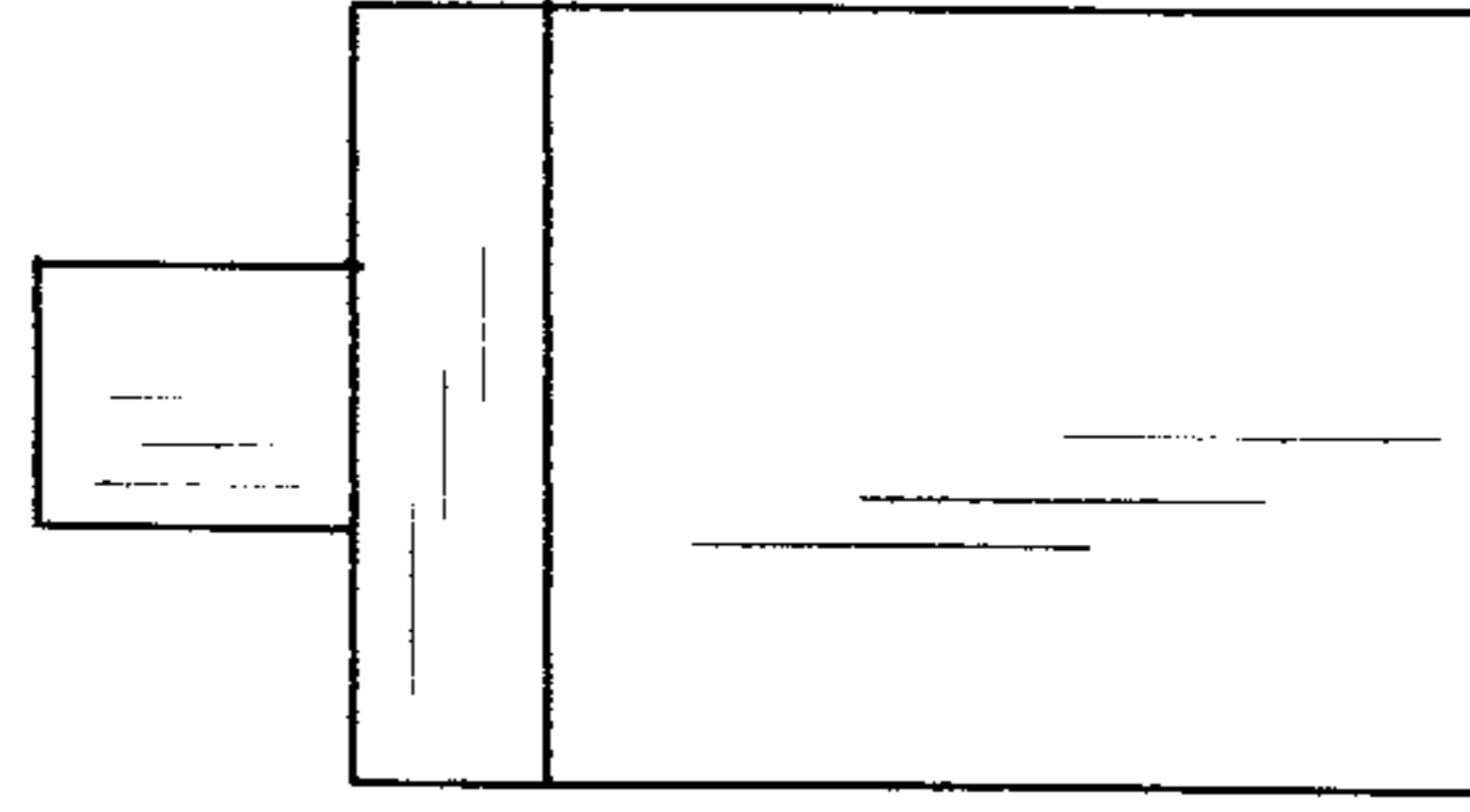
**Fig. 8**



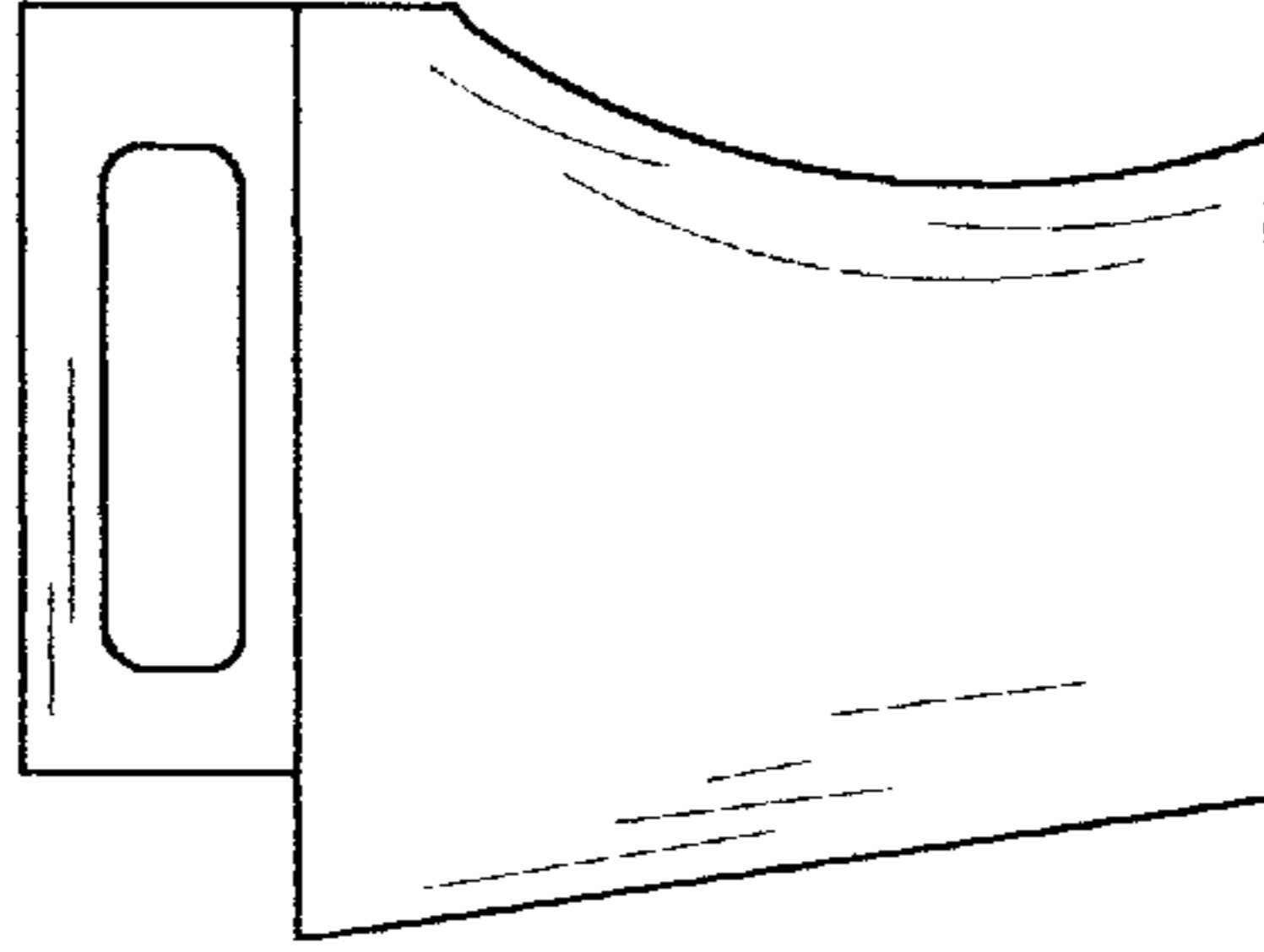
**Fig. 11**



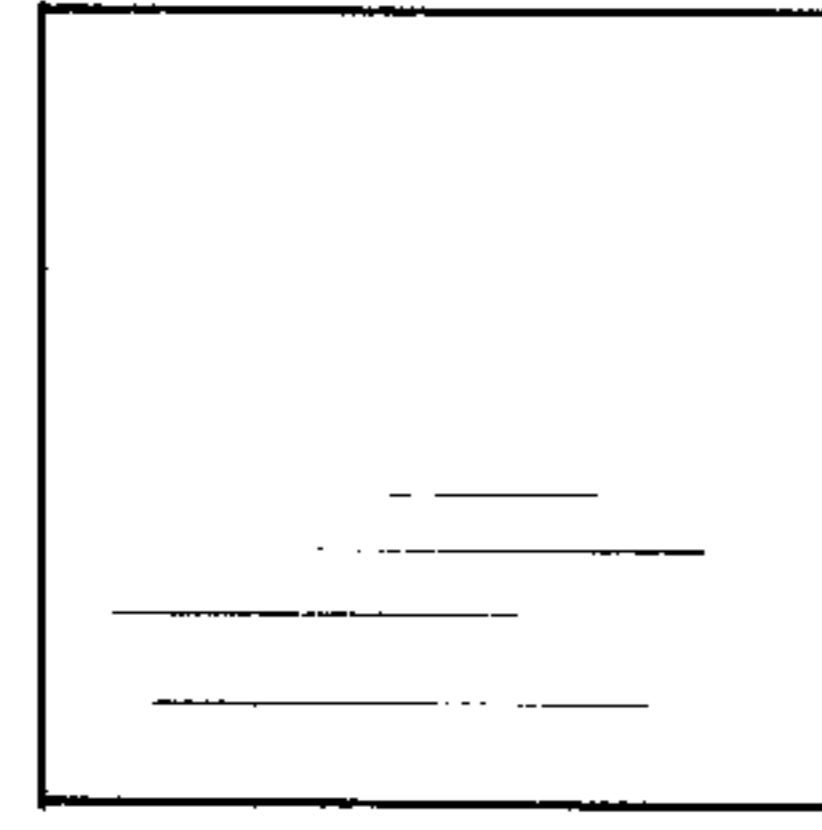
**Fig. 12**



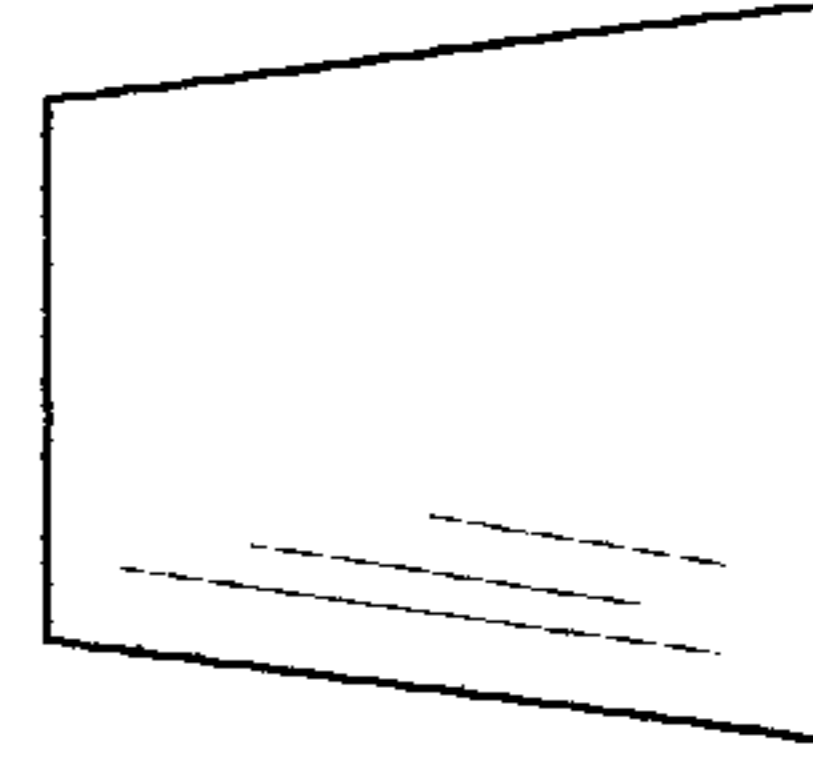
**Fig. 9**



**Fig. 10**



**Fig. 13**



**Fig. 14**