



US00D444529S

(12) **United States Design Patent**
Wagner

(10) **Patent No.:** **US D444,529 S**

(45) **Date of Patent:** **** Jul. 3, 2001**

(54) **GOLF BALL CAPTURE DISC**

6,082,955 * 7/2000 Tucek 414/440

(76) Inventor: **Robert B. Wagner**, P.O. Box 970,
Thousand Palms, CA (US) 92276

* cited by examiner

(**) Term: **14 Years**

Primary Examiner—Mitchell Siegel

(74) *Attorney, Agent, or Firm*—Willie Krawitz

(21) Appl. No.: **29/121,569**

(57) **CLAIM**

(22) Filed: **Apr. 10, 2000**

The ornamental design for a golf ball capture disc, as shown and described.

(51) **LOC (7) Cl.** **21-02**

DESCRIPTION

(52) **U.S. Cl.** **D21/789; D15/29**

(58) **Field of Search** **D21/789; D15/27,**
D15/29; 414/440; 56/328.1

FIG. 1 is a right side perspective view of a golf ball capture disc showing my design;

FIG. 2 is a top plan view thereof;

FIG. 3 is a right side elevation view, thereof;

FIG. 4 is a front elevation view thereof;

FIG. 5 is a left side elevation view thereof;

FIG. 6 is a cross sectional view taken along lines 6—6 of

FIG. 3 thereof; and,

FIG. 7 is a left side perspective view thereof.

(56) **References Cited**

U.S. PATENT DOCUMENTS

D. 412,711	*	8/1999	Bruns	D15/29
3,613,341	*	10/1971	Reeves	414/440
4,792,271	*	12/1988	Akel	414/440
5,087,165	*	2/1992	Akel	414/440
5,882,169	*	3/1999	Tucek	414/440

1 Claim, 1 Drawing Sheet

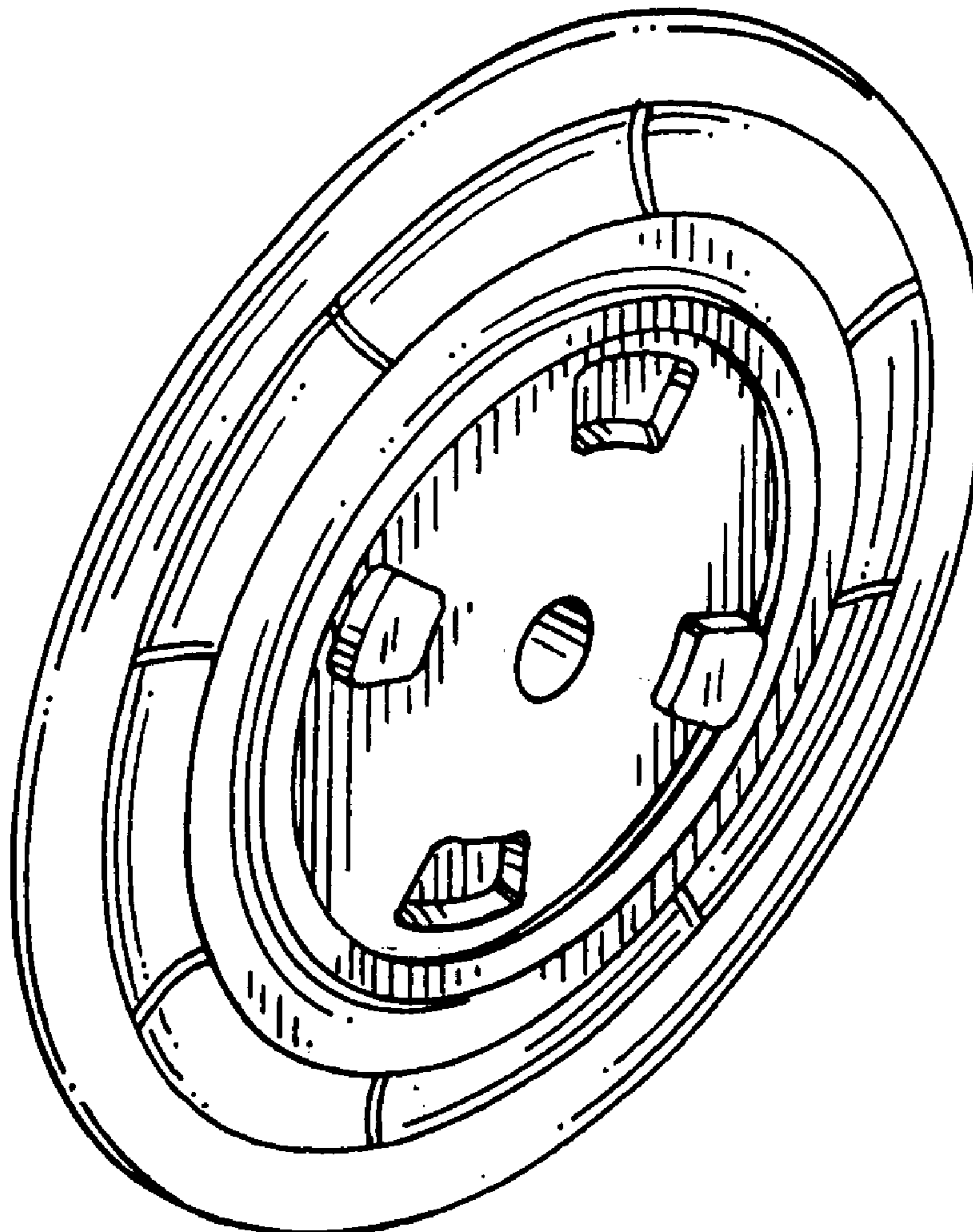


FIG. 1

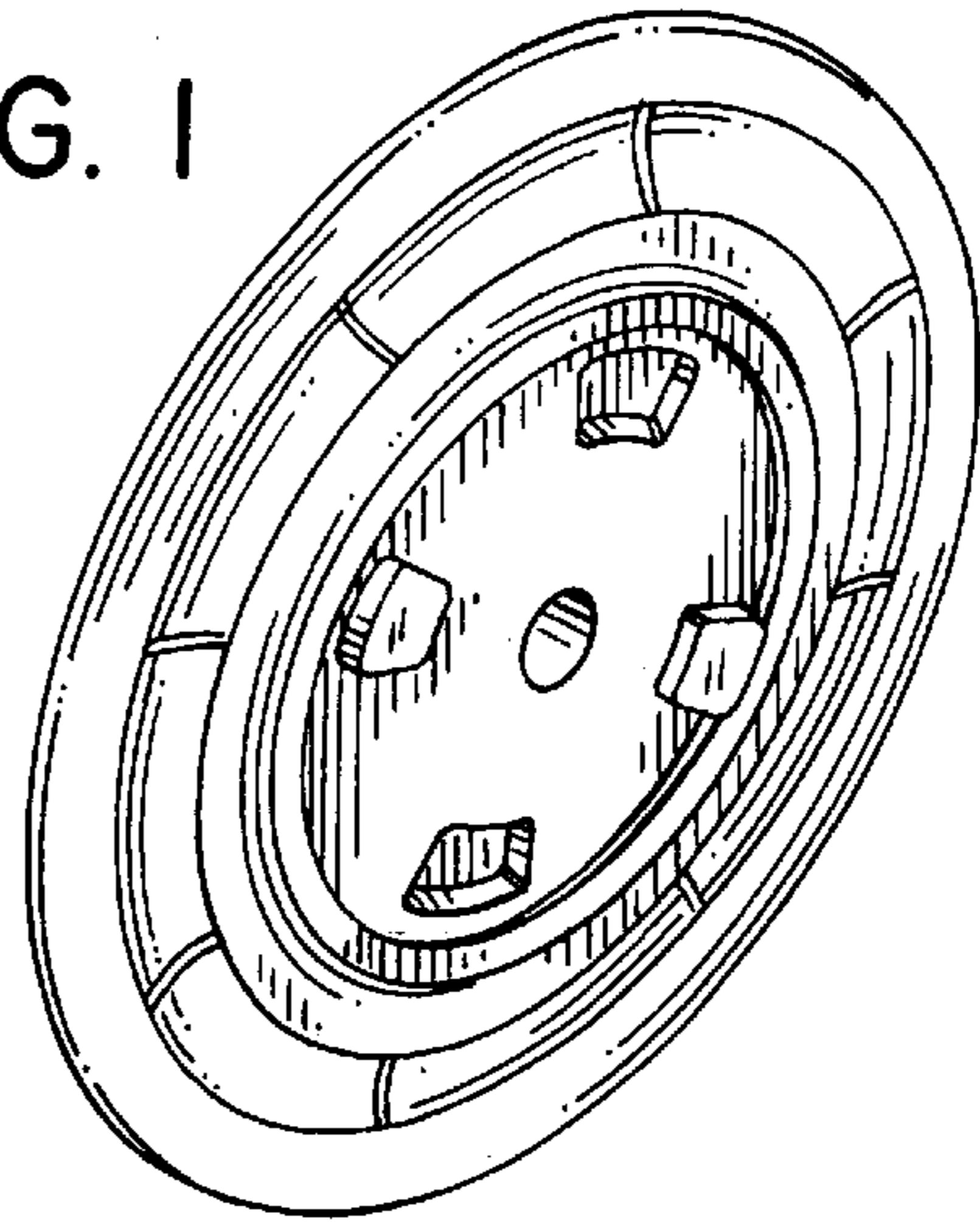


FIG. 2

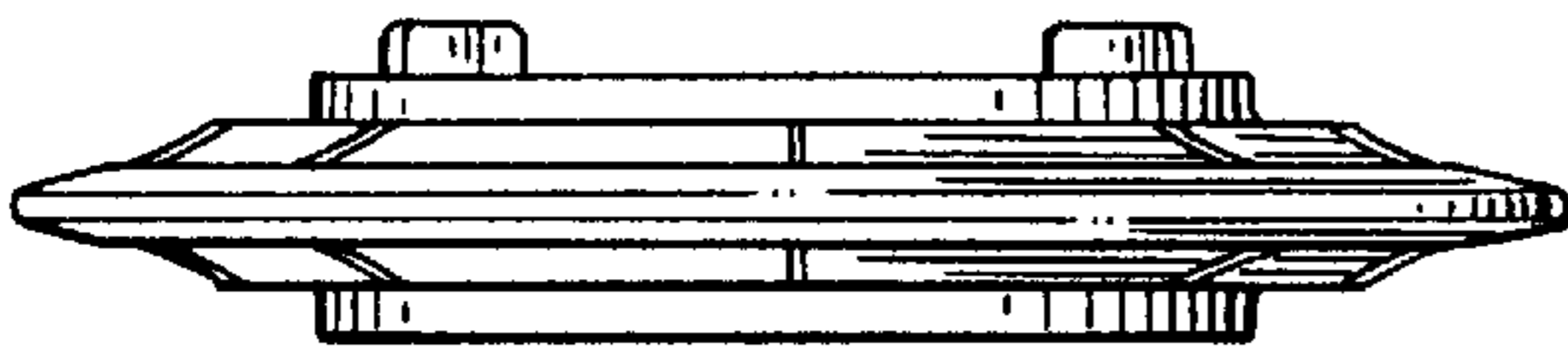


FIG. 3

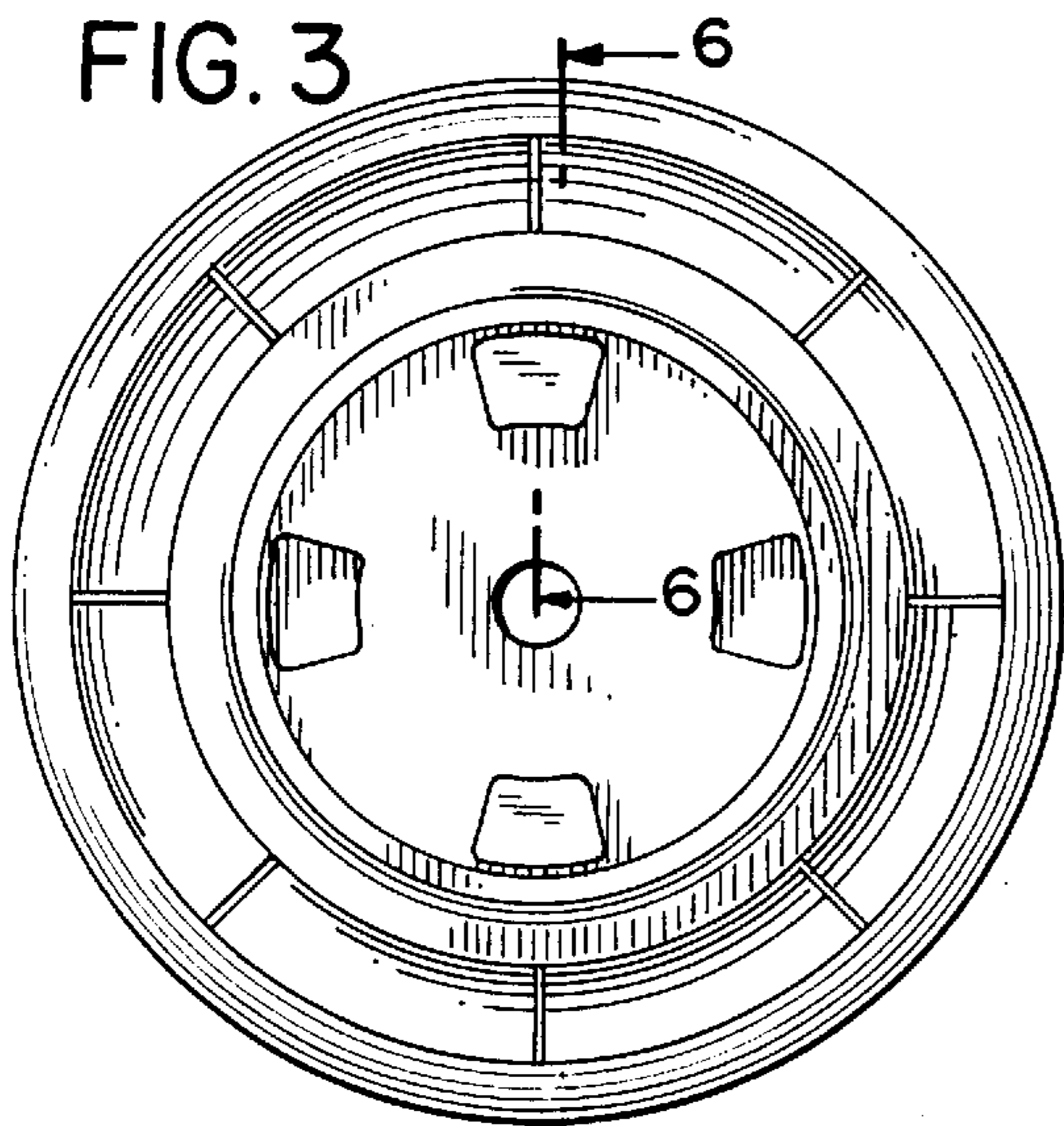


FIG. 4



FIG. 6

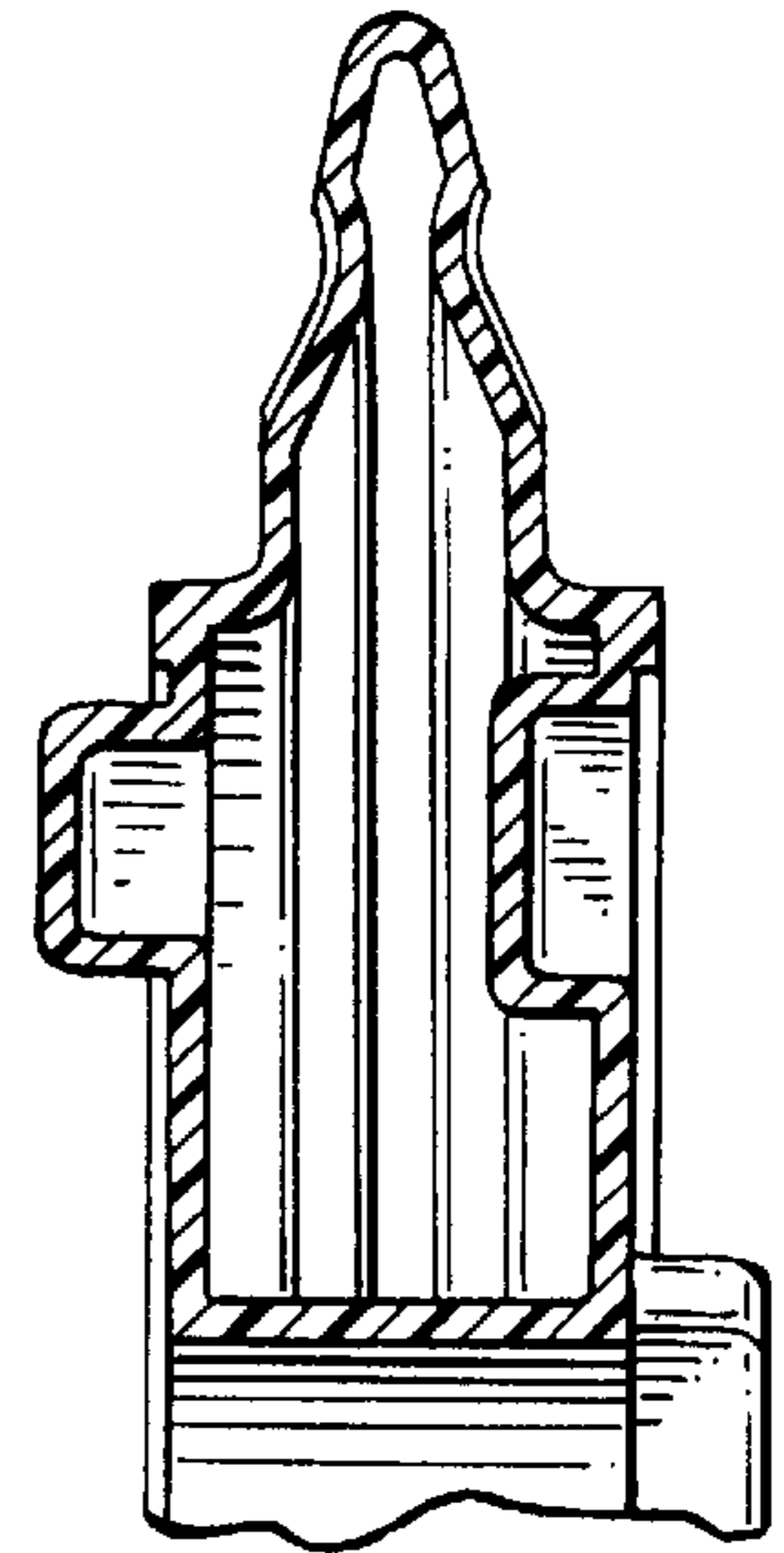


FIG. 5

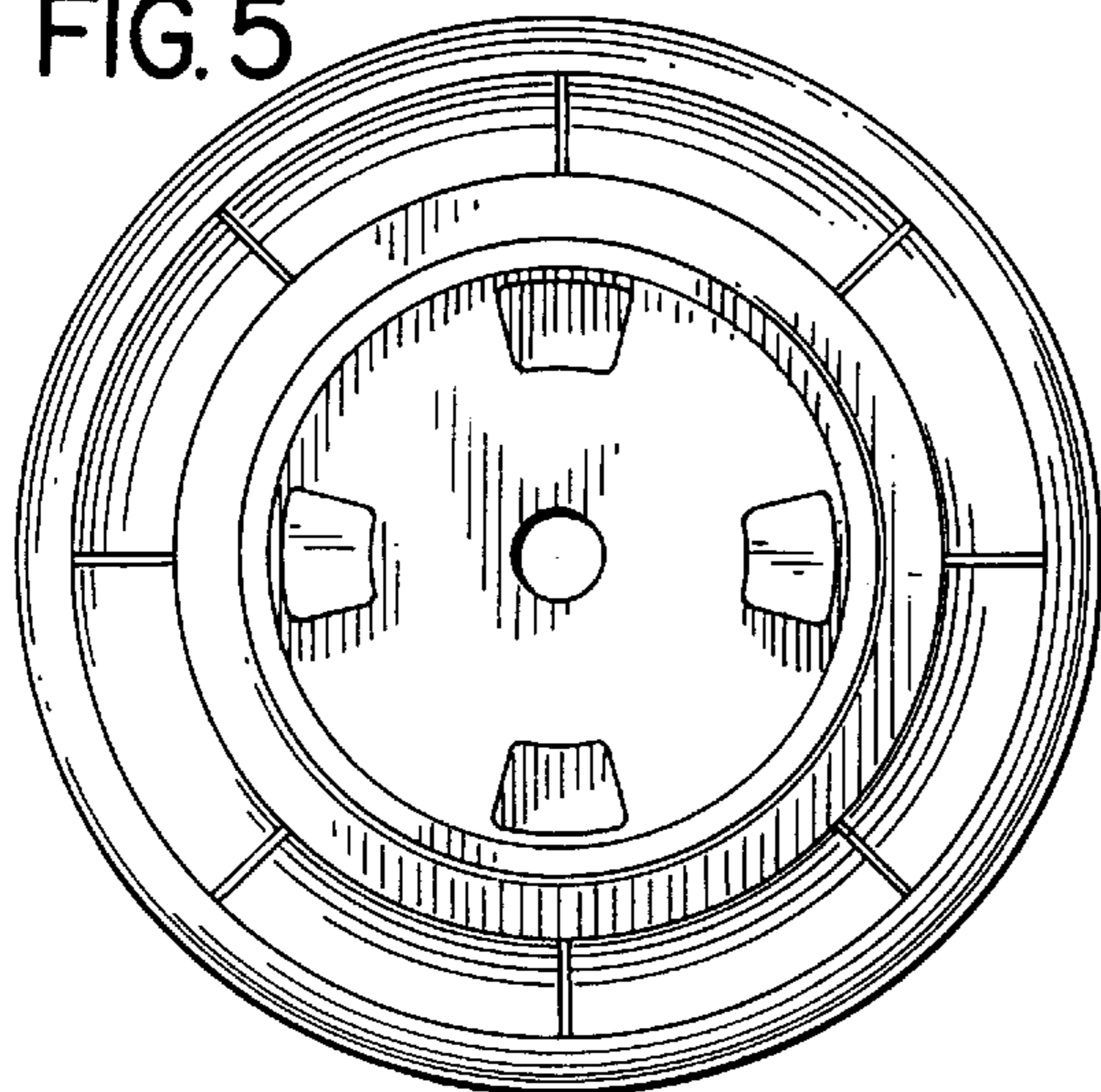


FIG. 7

