



US00D444524S

(12) **United States Design Patent**
Reeves, Jr.

(10) **Patent No.:** **US D444,524 S**

(45) **Date of Patent:** **** Jul. 3, 2001**

(54) **PUTTER HEAD**

(76) Inventor: **Irvin O. Reeves, Jr.**, 121 Ranch House Rd., Burleson, TX (US) 76028

(**) Term: **14 Years**

(21) Appl. No.: **29/127,083**

(22) Filed: **Jul. 29, 2000**

(51) **LOC (7) Cl.** **21-02**

(52) **U.S. Cl.** **D21/738**

(58) **Field of Search** D21/736-746;
473/324, 327, 328, 340, 341, 251-256,
330

(56) **References Cited**

U.S. PATENT DOCUMENTS

D. 368,292	*	3/1996	Willoughby	D21/738
3,226,120	*	12/1965	Borah	473/412
5,090,698	*	2/1992	Klenfelter	473/330
5,447,310	*	9/1995	Jernigan	473/330
5,692,969	*	12/1997	Schooler	473/340

* cited by examiner

Primary Examiner—Terry A. Wallace
(74) *Attorney, Agent, or Firm*—Arthur F Zobal

(57) **CLAIM**

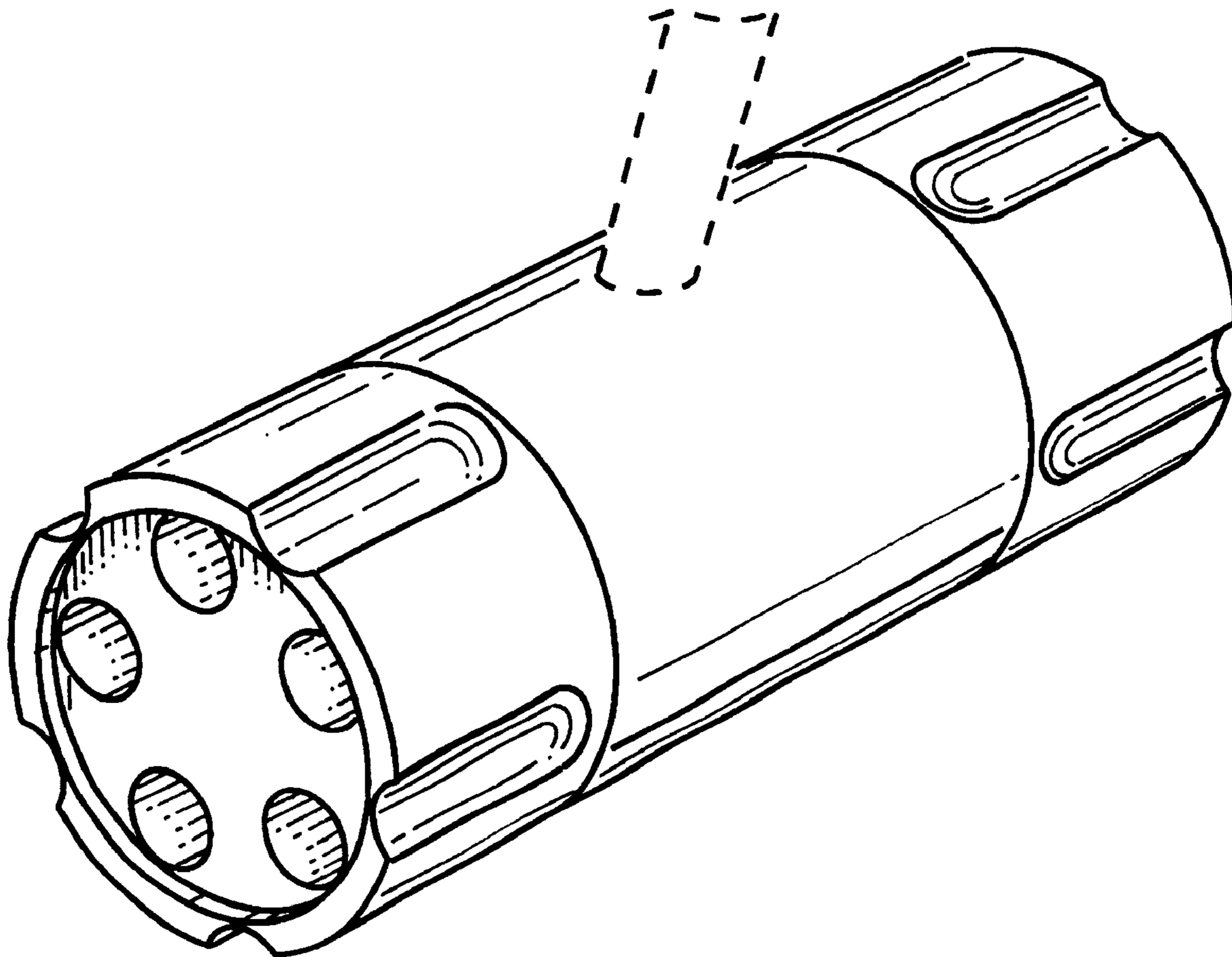
The ornamental design for a putter head, as shown and described.

DESCRIPTION

FIG. 1 illustrates a putter head showing my new invention; FIG. 2 is an enlarged perspective view of the putter head; FIG. 3 is an end view thereof; FIG. 4 is a top view thereof; FIG. 5 is a side view thereof. The opposite side of the putter head is a mirror image of FIG. 5; FIG. 6 is an end view thereof opposite the end view of FIG. 3; and, FIG. 7 is a bottom view thereof.

The broken line showing of a shaft and handle is for illustrative purposes only and forms no part of the claimed design.

1 Claim, 2 Drawing Sheets



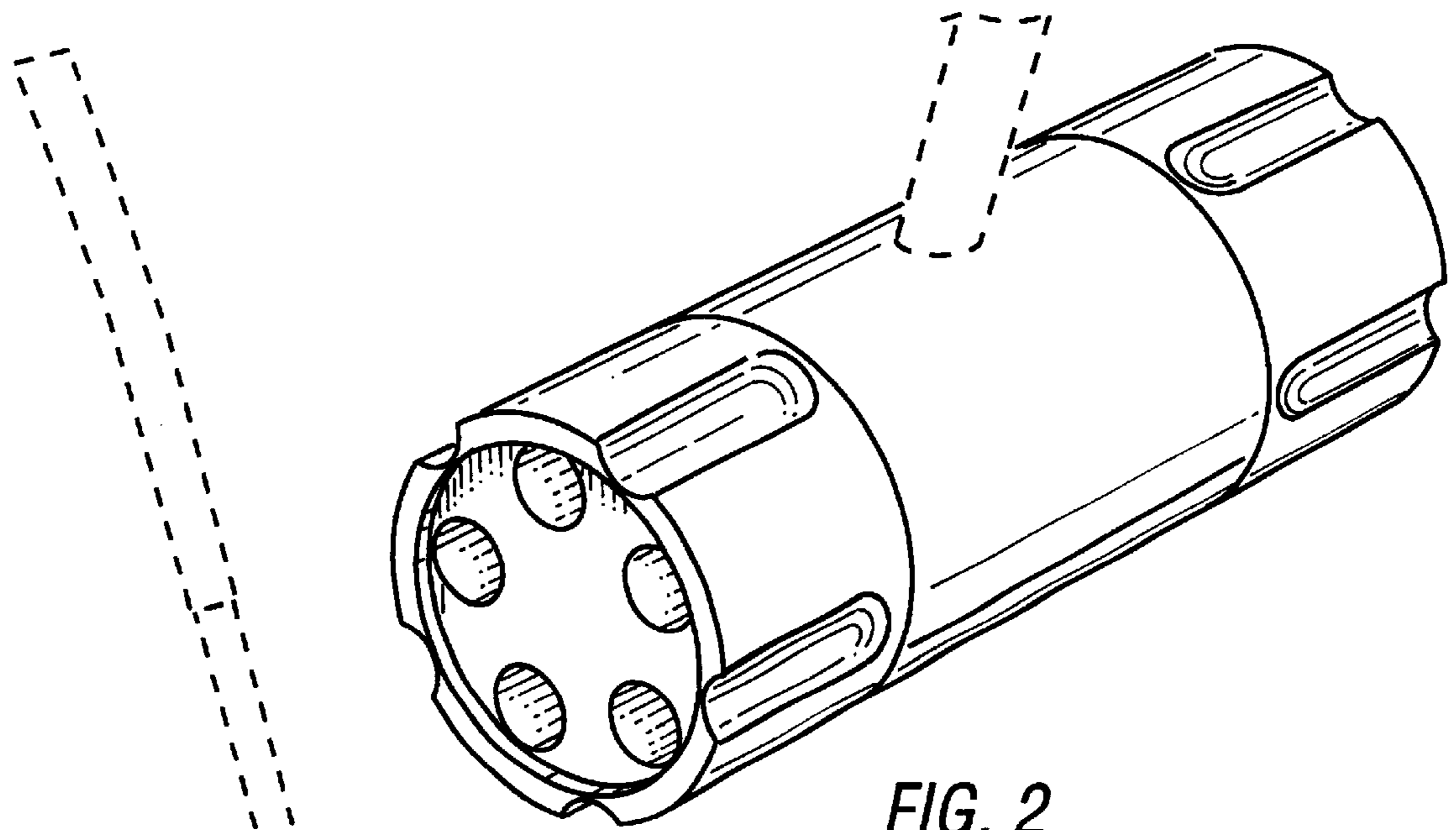


FIG. 2

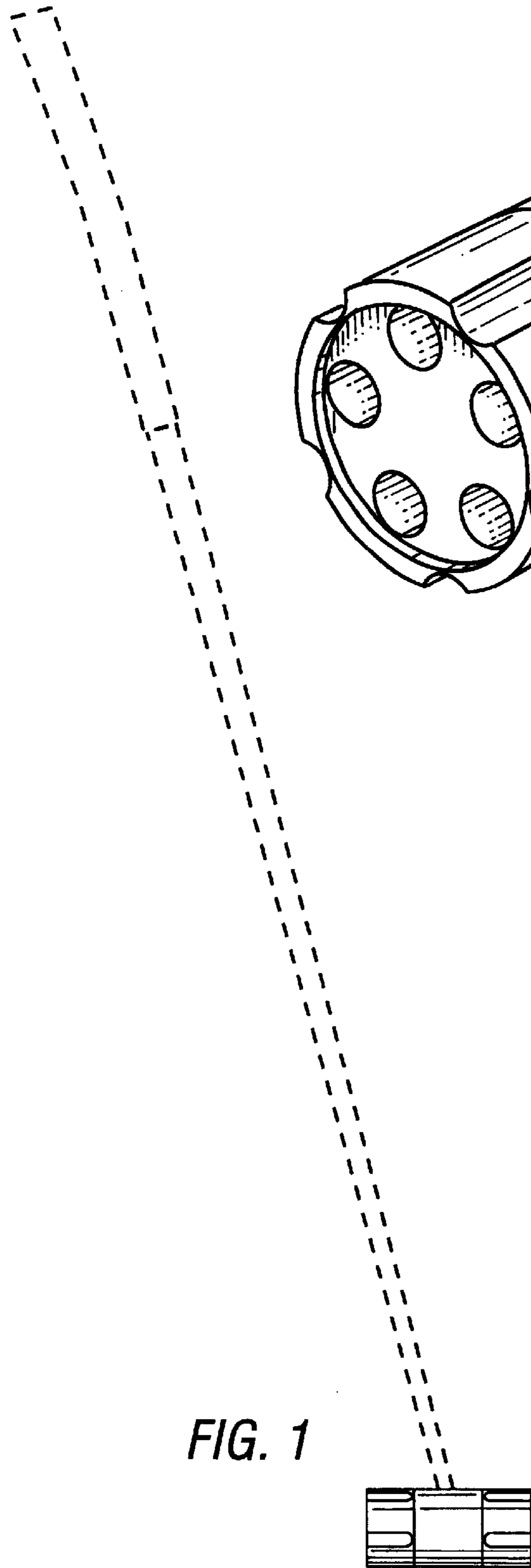


FIG. 1

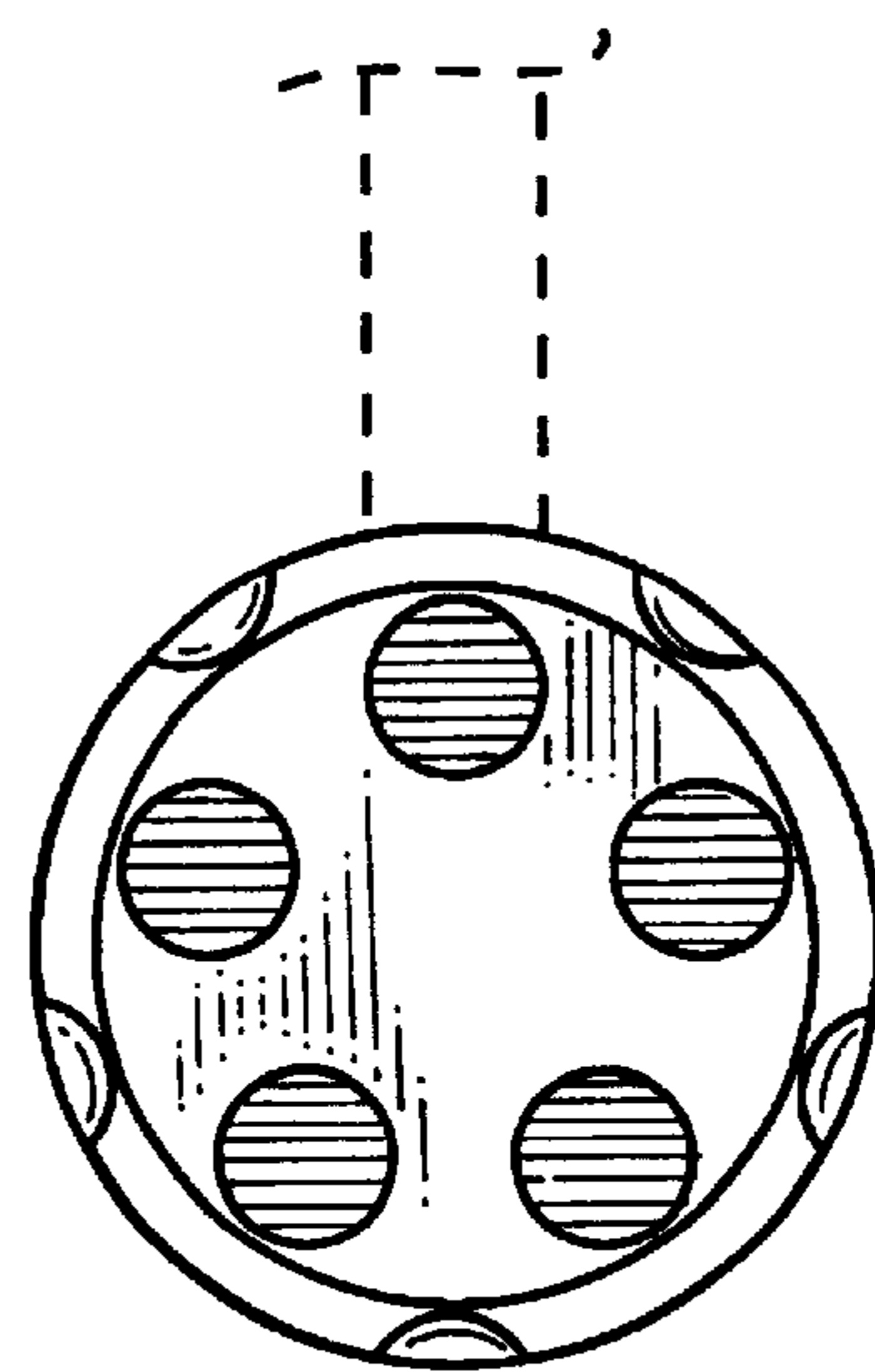


FIG. 3

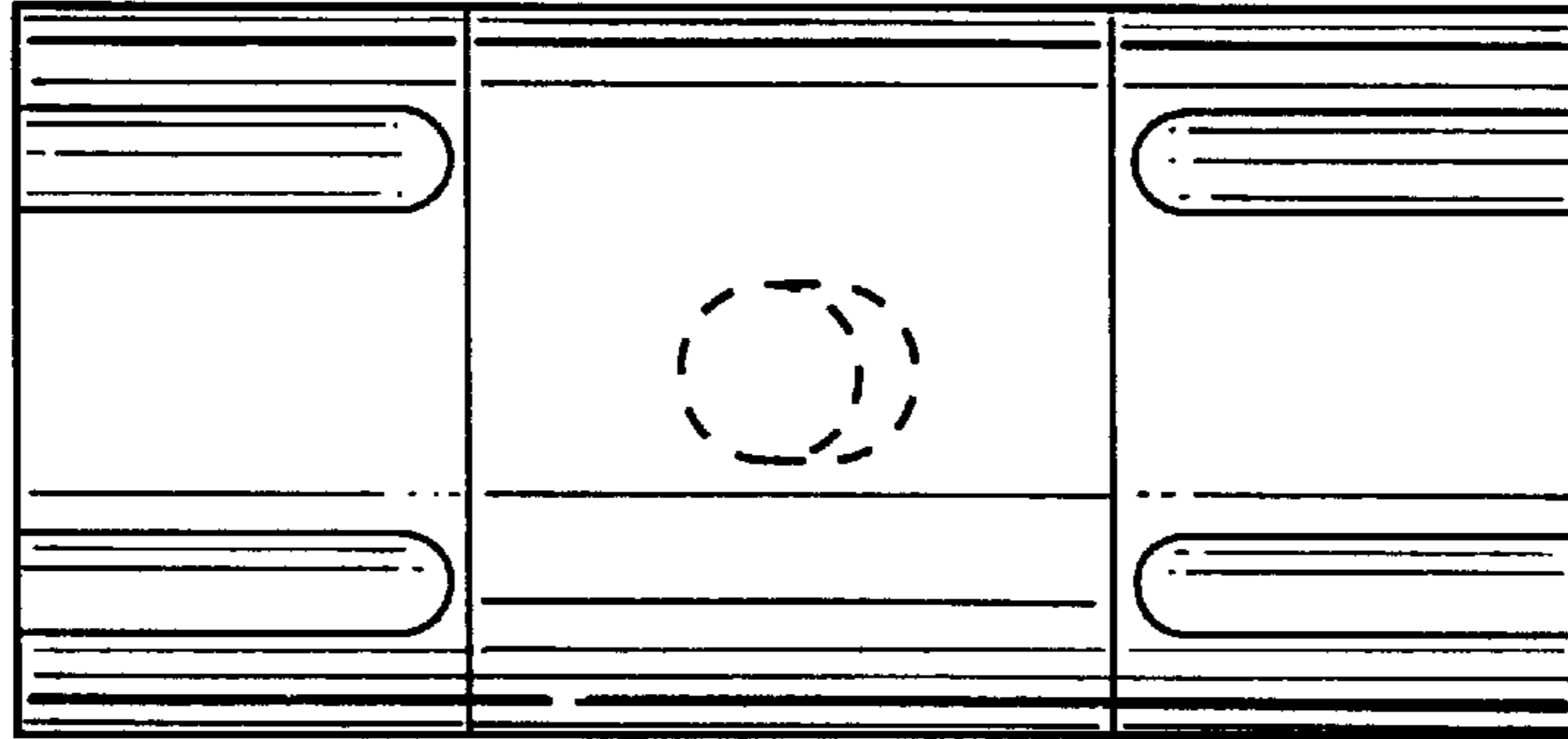


FIG. 4

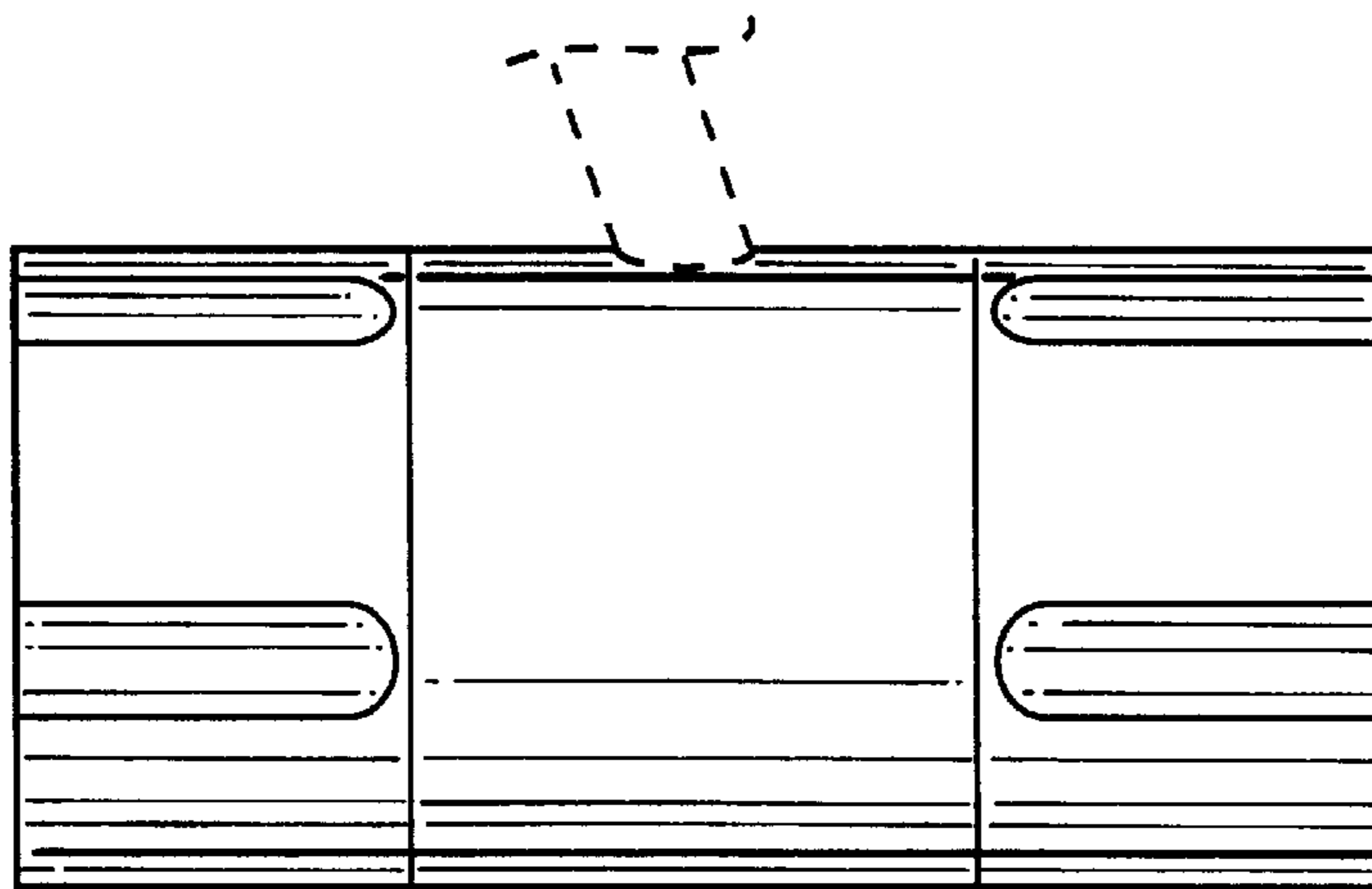


FIG. 5

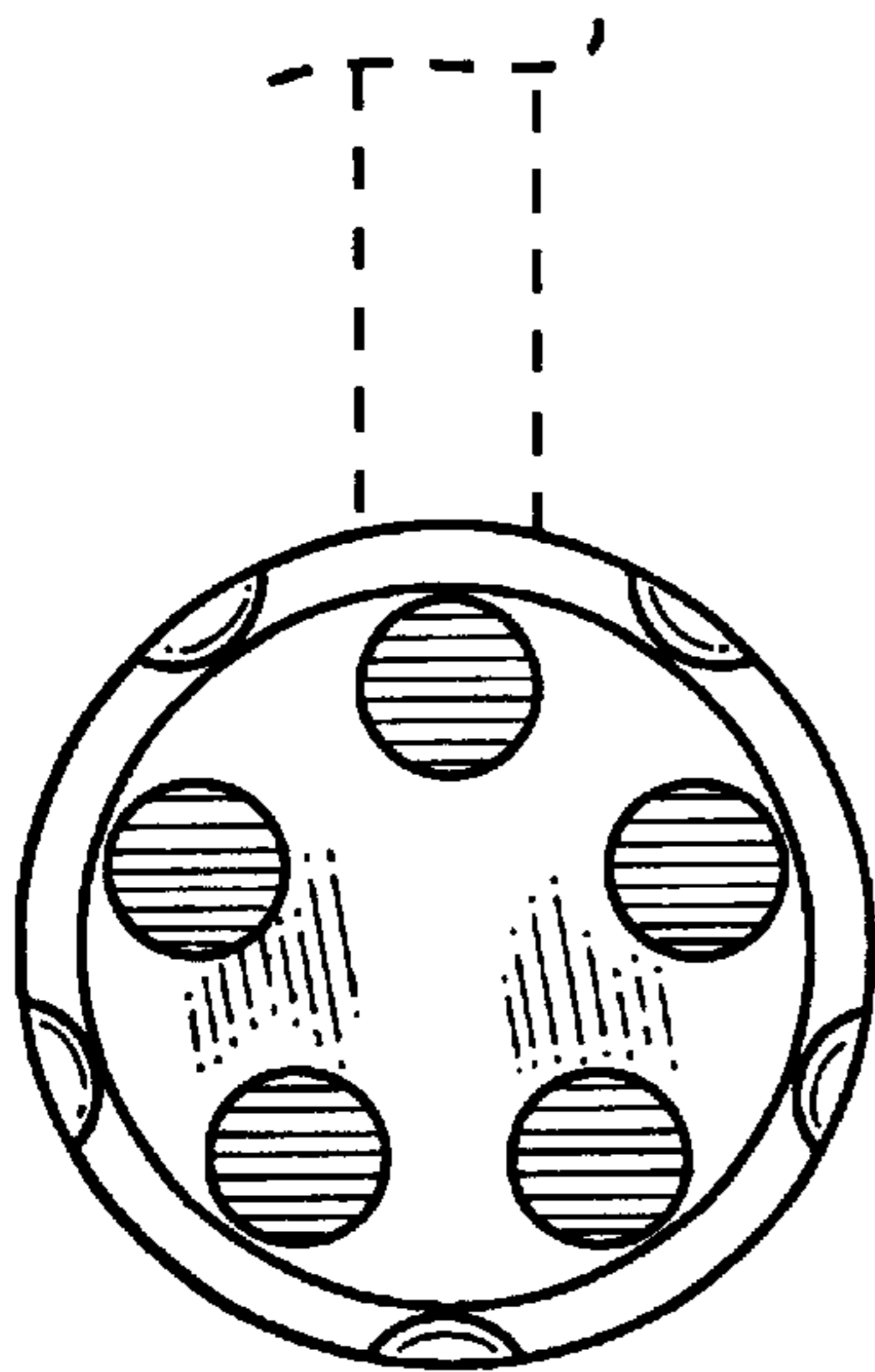


FIG. 6

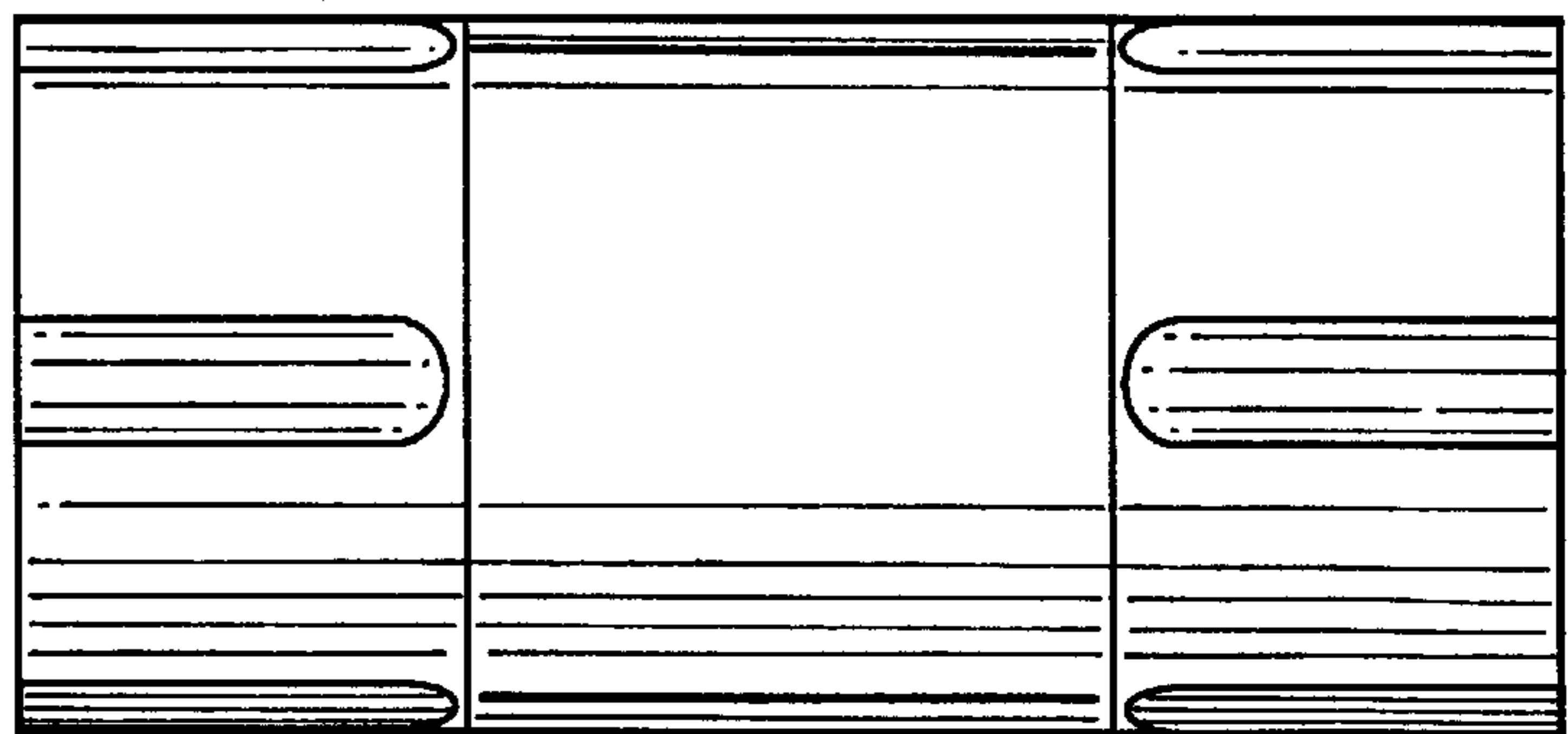


FIG. 7