



US00D444523S

(12) **United States Design Patent**
Scribner

(10) **Patent No.:** **US D444,523 S**

(45) **Date of Patent:** **** Jul. 3, 2001**

(54) **GOLF PUTTER HEAD**

Primary Examiner—Mitchell Siegel

(76) **Inventor:** **Dale Scribner**, 6830 Arabella Way,
Sacramento, CA (US) 95831

(57) **CLAIM**

The ornamental design for a golf putter head, as shown and described.

(**) **Term:** **14 Years**

DESCRIPTION

(21) **Appl. No.:** **29/120,194**

(22) **Filed:** **Mar. 15, 2000**

(51) **LOC (7) Cl.** **21-02**

(52) **U.S. Cl.** **D21/736**

(58) **Field of Search** **D21/736-746;**
473/324, 327, 328, 340, 341, 330, 251-256

FIG. 1. Is a perspective view of the design;

FIG. 2 is a top plan view thereof;

FIG. 3 is a bottom plan view thereof;

FIG. 4 is a side elevation view thereof;

FIG. 5 is an opposite side elevation view thereof;

FIG. 6 is an end elevation view thereof; and,

FIG. 7 is an opposite end elevation view thereof.

The broken line showing of fragmented shaft as shown if for illustrative purposes only and forms no part of the claimed design.

(56) **References Cited**

U.S. PATENT DOCUMENTS

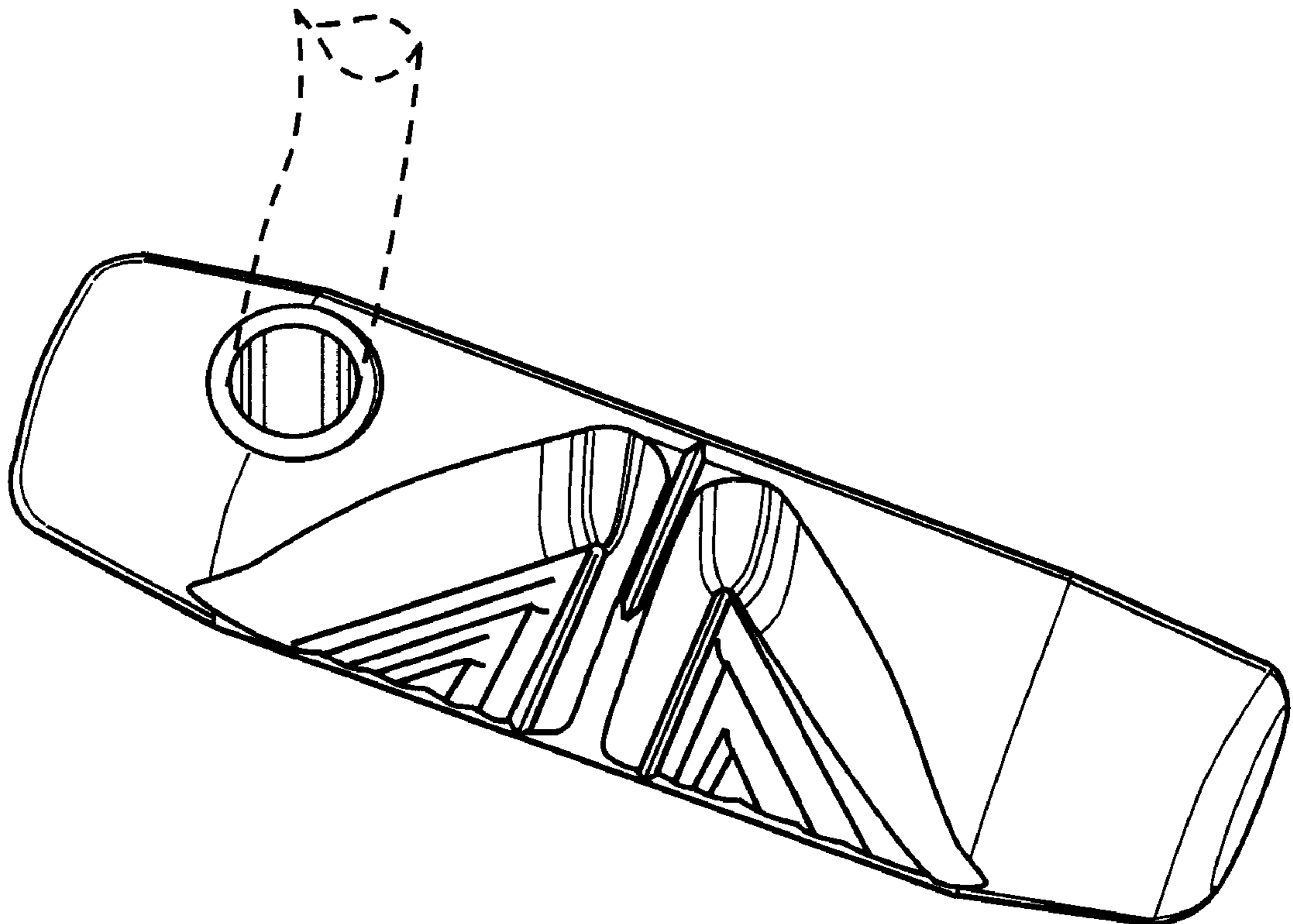
D. 378,934 * 4/1997 Clanton D21/743

D. 410,513 * 6/1999 Gardner D21/736

1,930,477 * 10/1933 Hosier 473/330

* cited by examiner

1 Claim, 4 Drawing Sheets



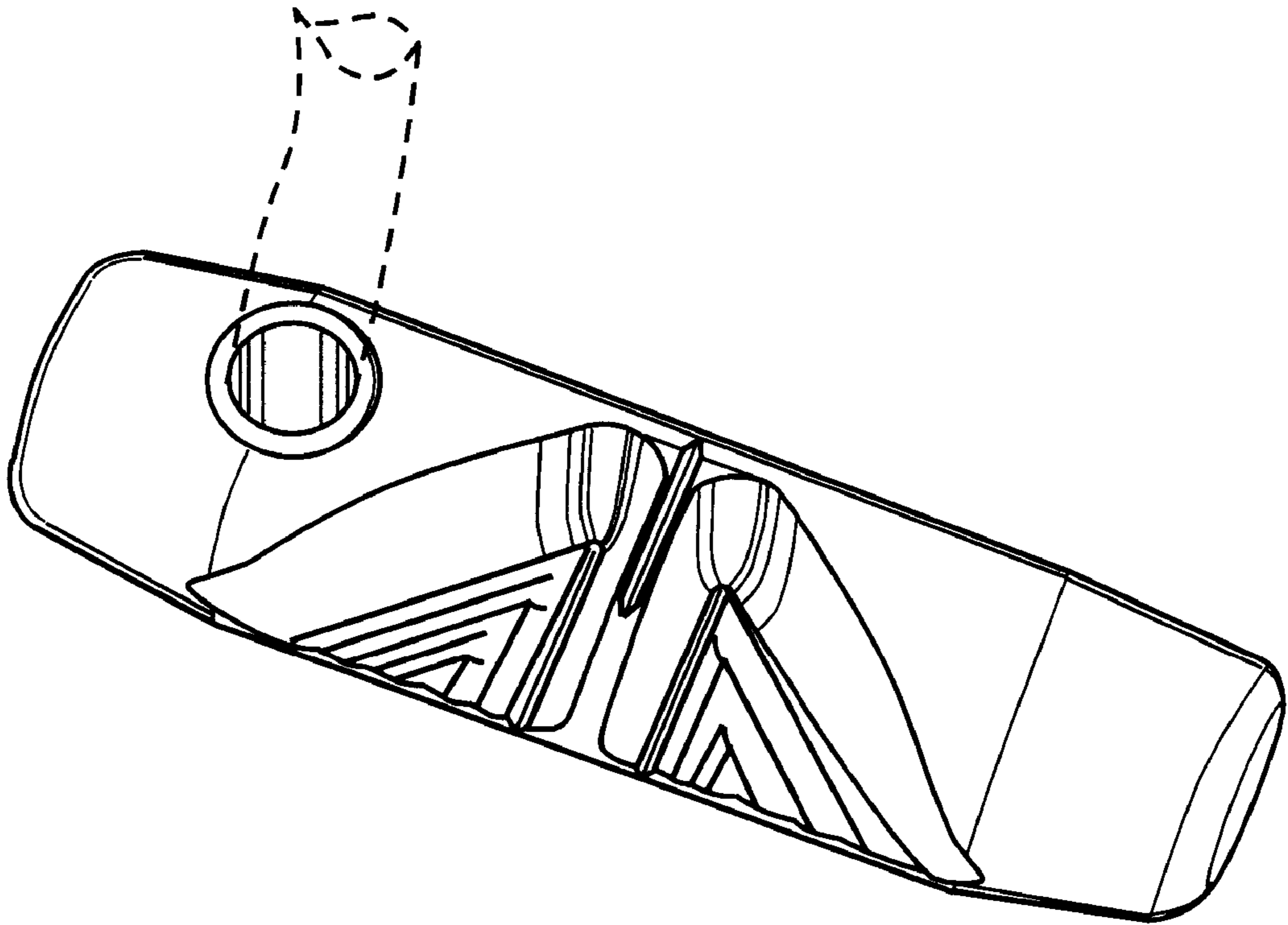


Fig. 1

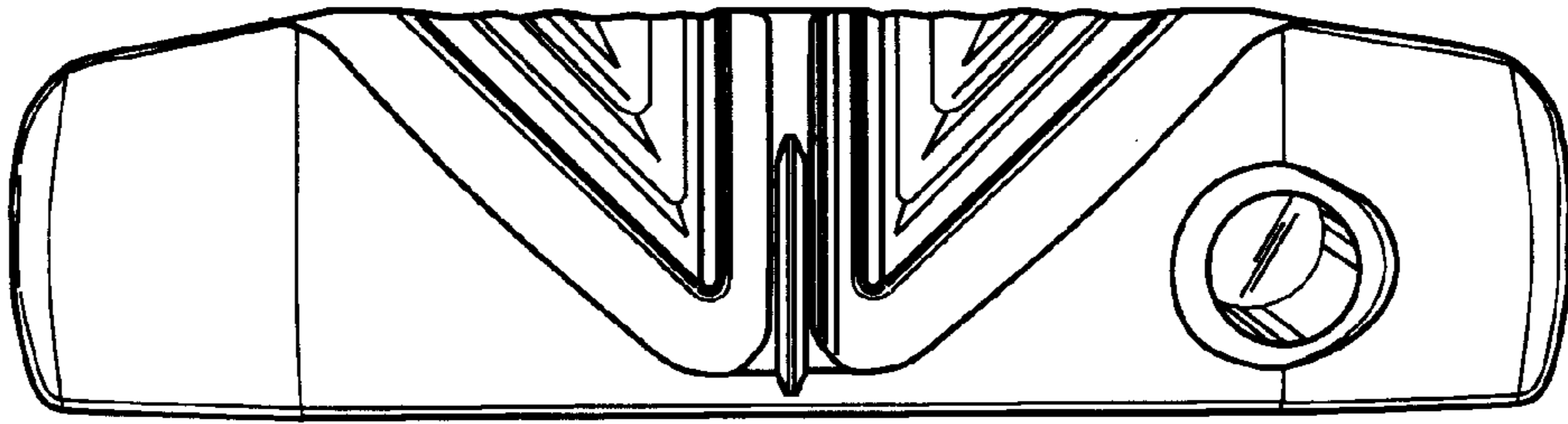


Fig. 2

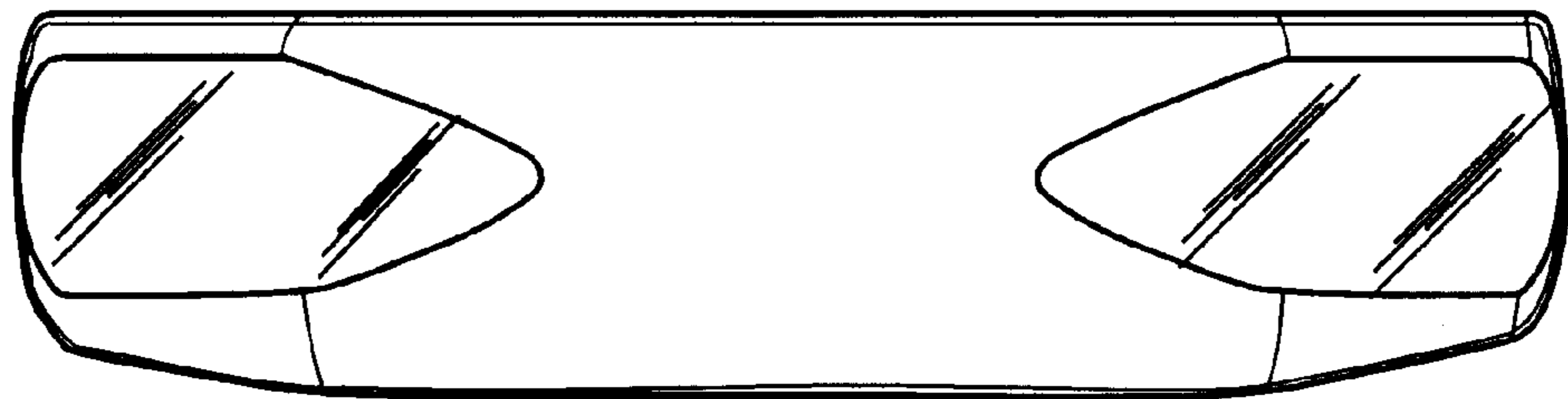


Fig. 3

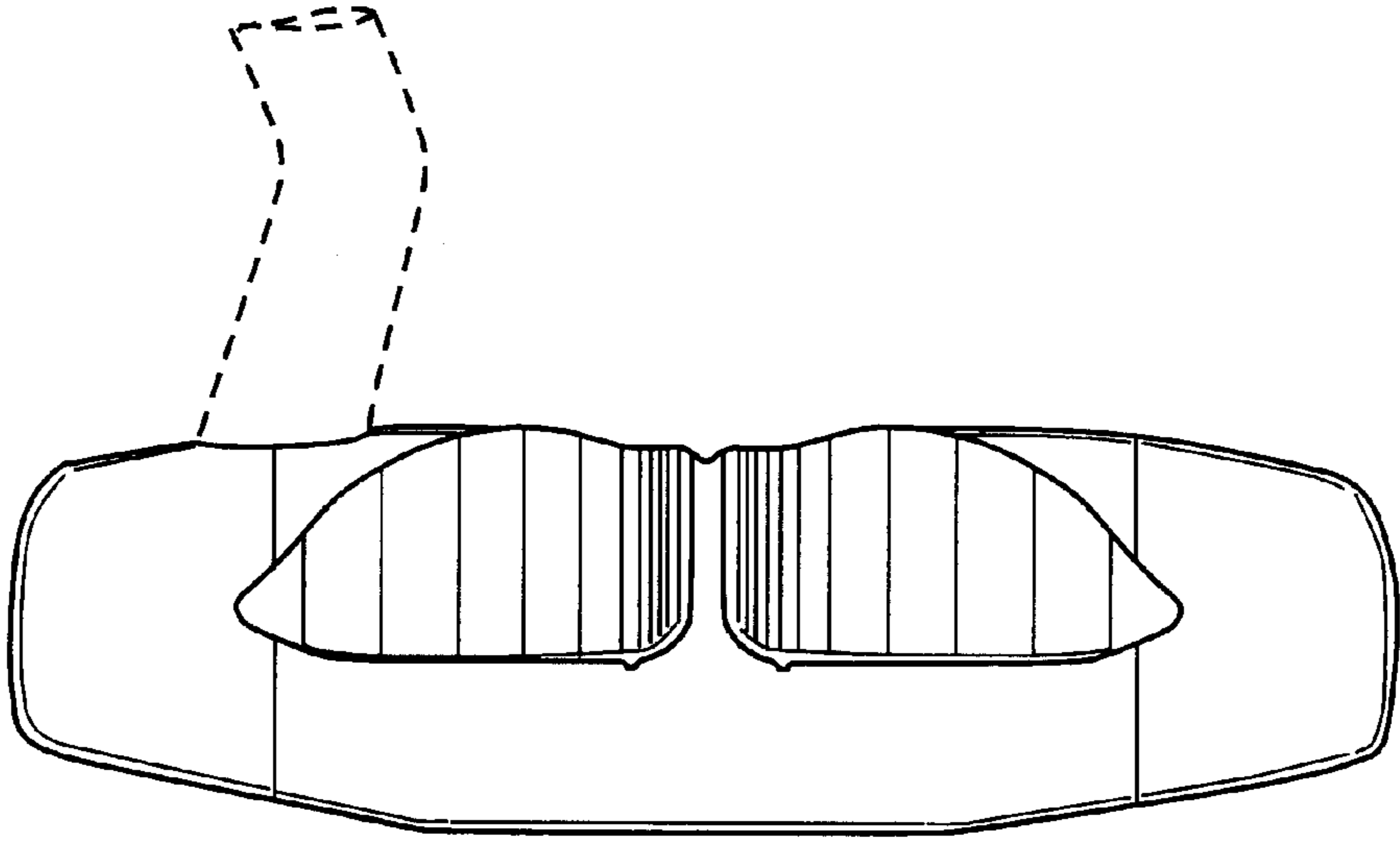


Fig. 4

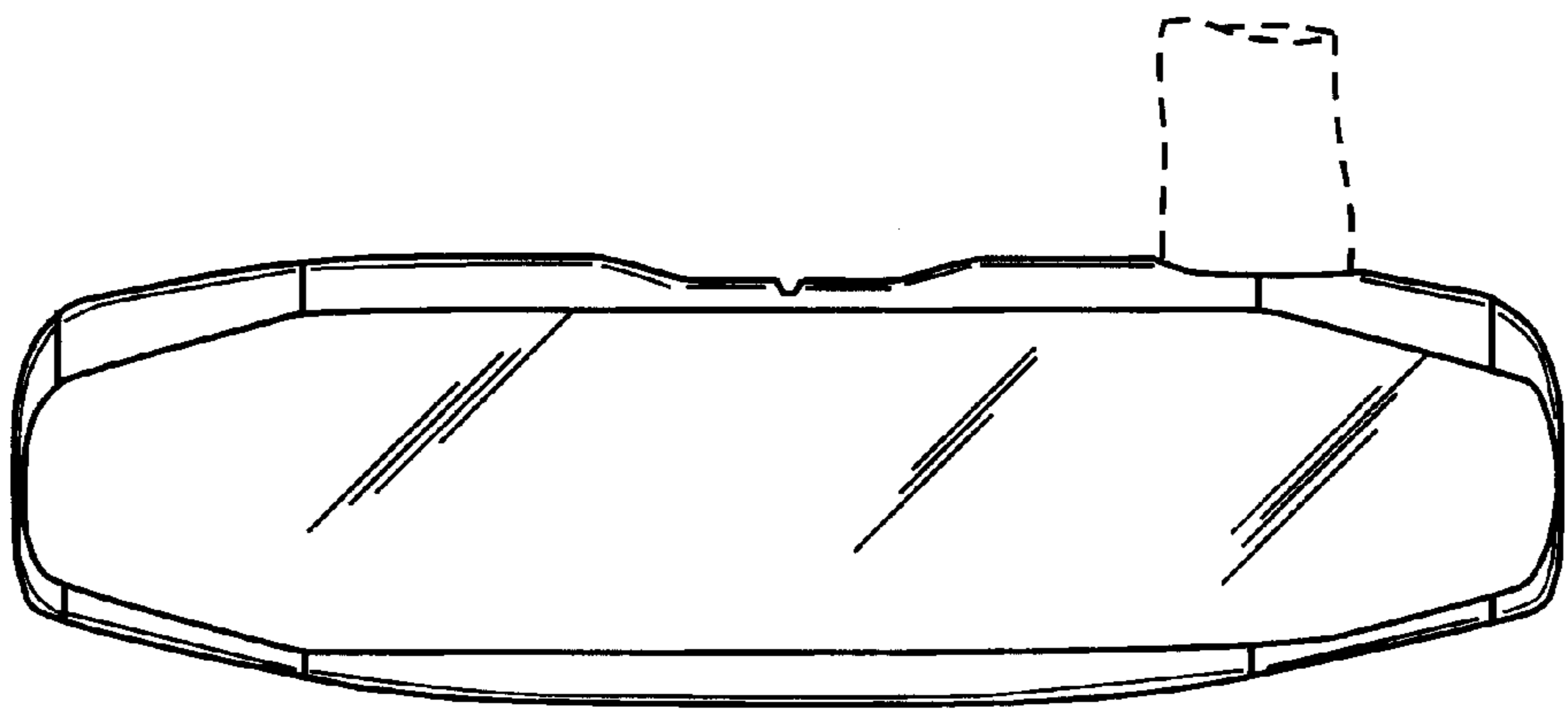


Fig. 5

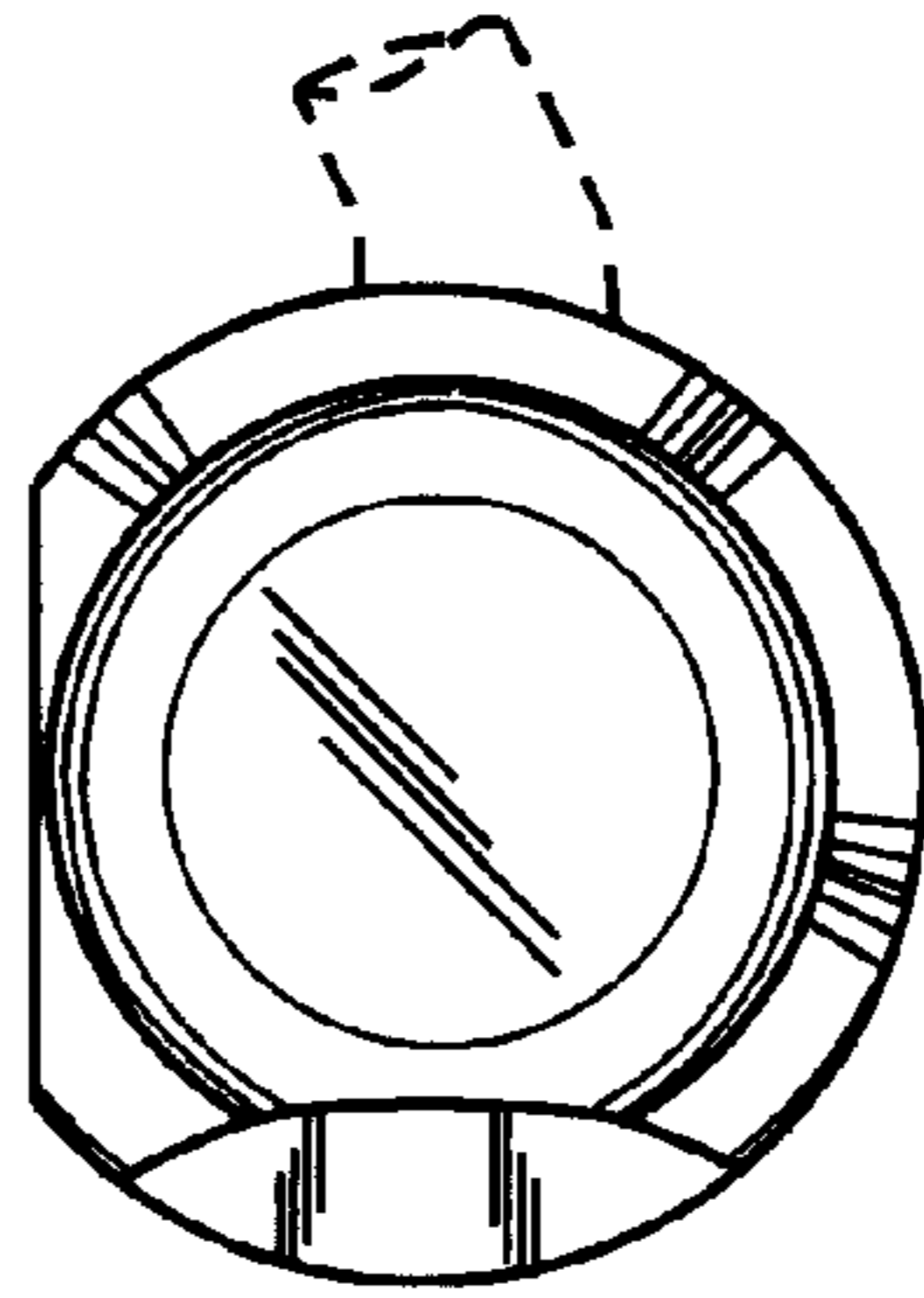


Fig. 6

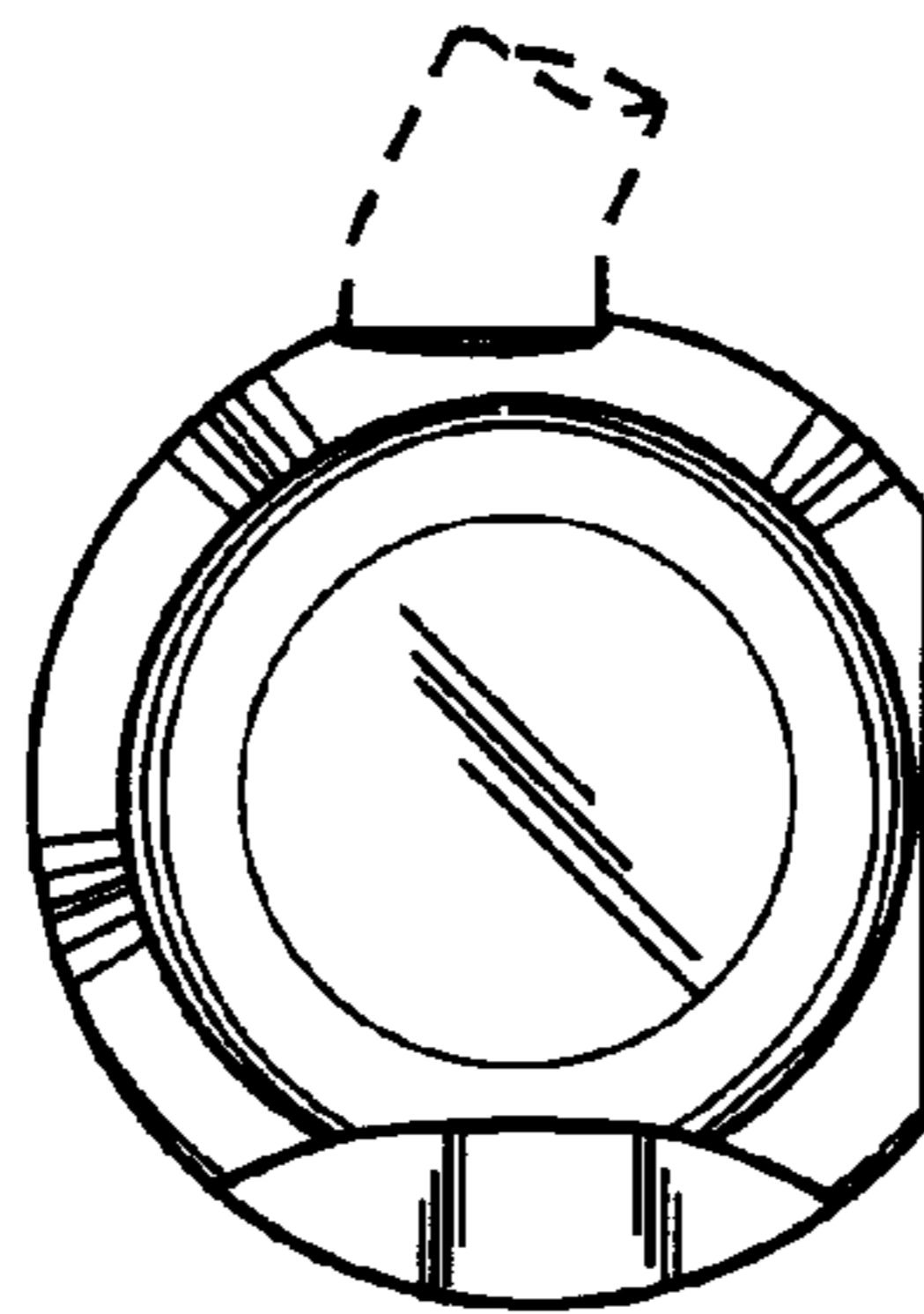


Fig. 7