



US00D444522S

(12) **United States Design Patent**  
**Crousore**

(10) **Patent No.:** **US D444,522 S**

(45) **Date of Patent:** **\*\* Jul. 3, 2001**

(54) **GOLF CLUB HEAD**

*Primary Examiner*—Mitchell Siegel

(76) **Inventor:** **Terry Crousore**, 9729 E. Juanita Ave.,  
Mesa, AZ (US) 85208

(57) **CLAIM**

(\*\*) **Term:** **14 Years**

The ornamental design for a golf club head, as shown and described.

(21) **Appl. No.:** **29/113,863**

**DESCRIPTION**

(22) **Filed:** **Nov. 12, 1999**

(51) **LOC (7) Cl.** ..... **21-02**

(52) **U.S. Cl.** ..... **D21/733**

(58) **Field of Search** ..... **D21/733, 752;**  
**473/324, 327, 328, 330, 331, 342, 345,**  
**346**

FIG. 1 is a perspective view of a golf club head;  
FIG. 2 is a front view thereof;  
FIG. 3 is a rear view thereof;  
FIG. 4 is a top view thereof;  
FIG. 5 is a bottom view thereof;  
FIG. 6 is a left side view thereof;  
FIG. 7 is a right side view thereof; and,  
FIG. 8 is a perspective view of a second embodiment of the  
golf club head as disclosed in figure.  
The undisclosed sides of the second embodiment are identical to those disclosed in the first embodiment.

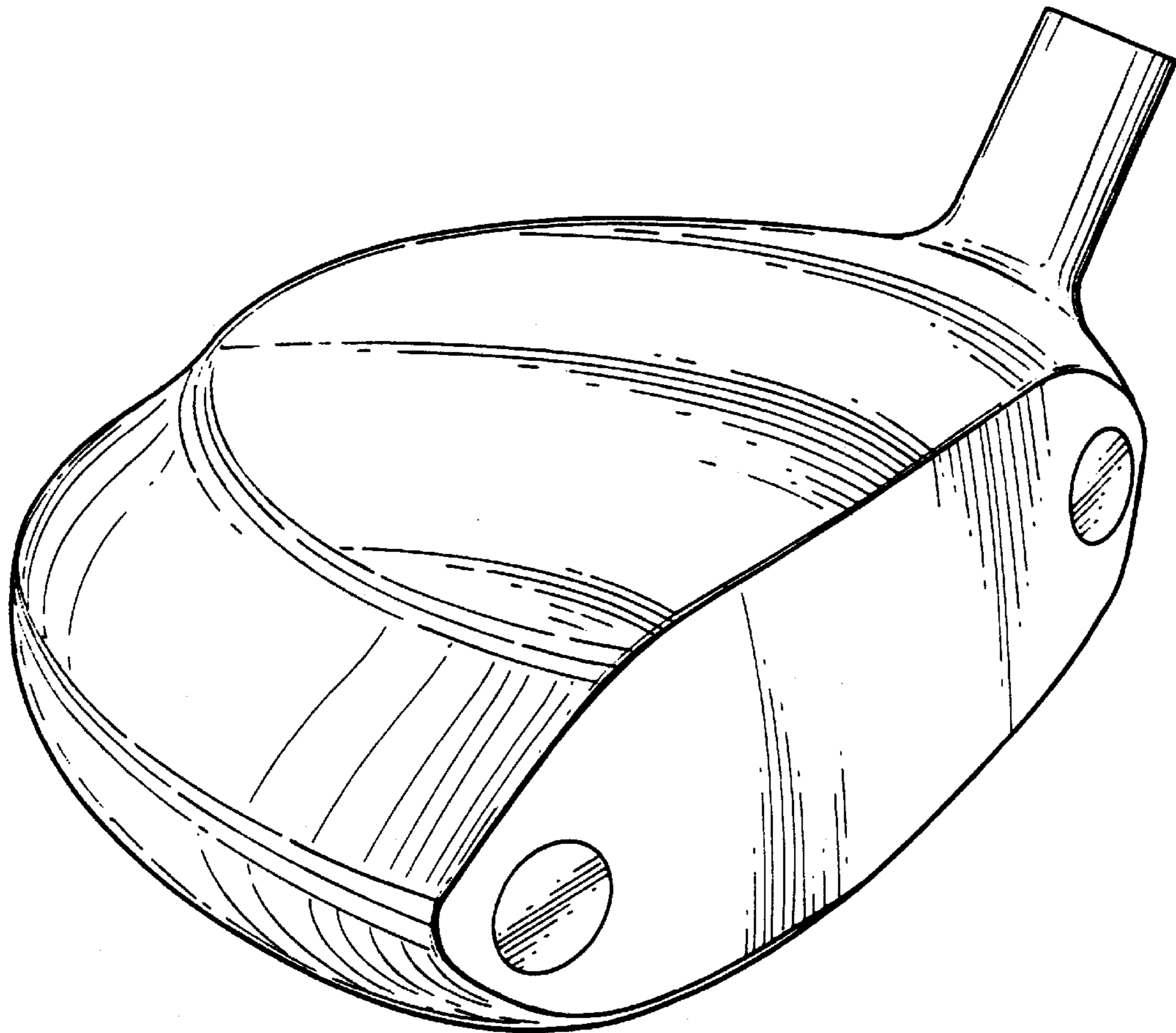
(56) **References Cited**

**U.S. PATENT DOCUMENTS**

D. 390,616	*	2/1998	Maltby	.....	D21/733
D. 410,053	*	5/1999	Wu	.....	D21/733
D. 416,967	*	11/1999	Ackerman	.....	D21/752
1,449,559	*	3/1923	Relle	.....	473/342
1,780,625	*	11/1930	Mattern	.....	473/324

\* cited by examiner

**1 Claim, 5 Drawing Sheets**



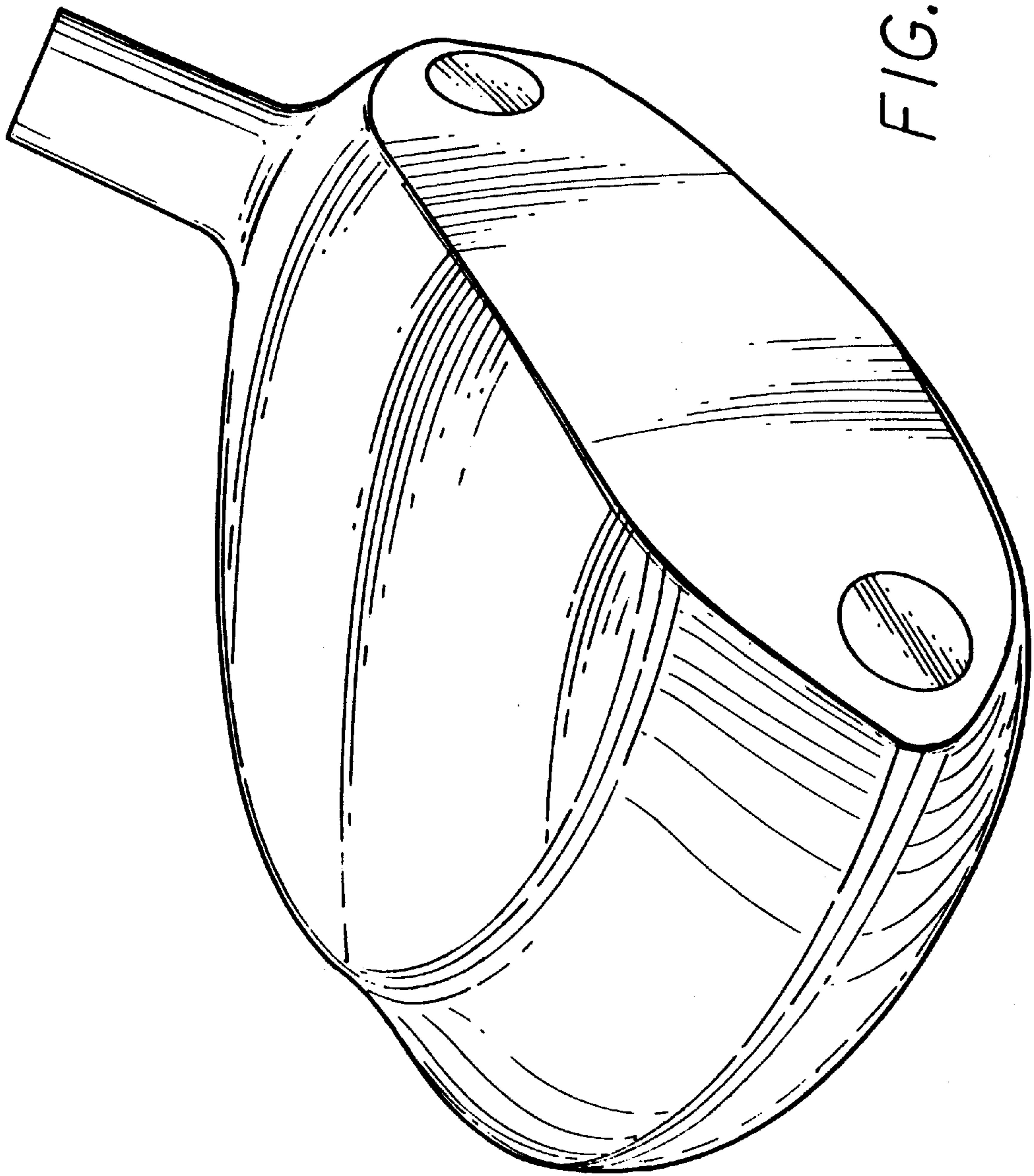


FIG. 1

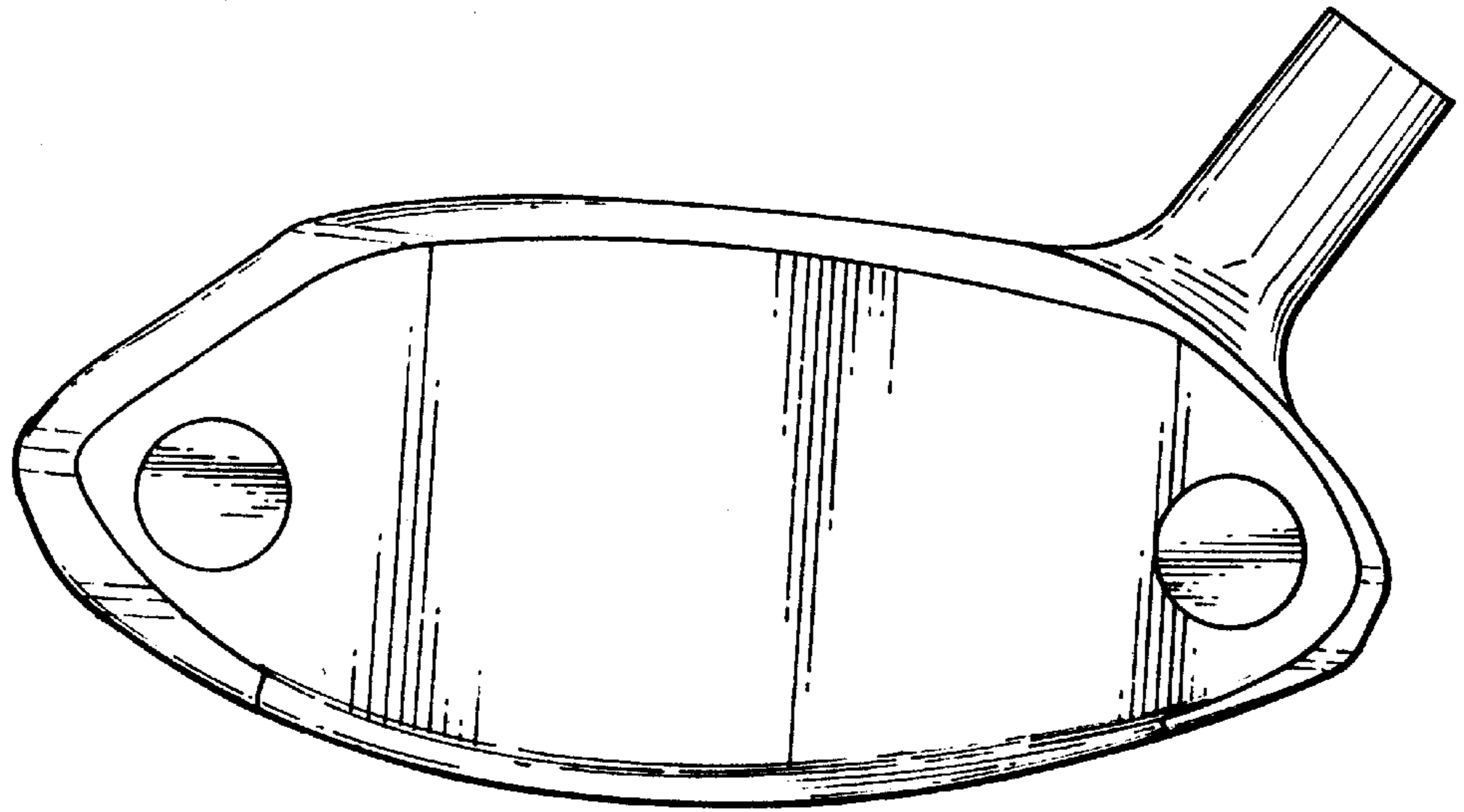


FIG. 2

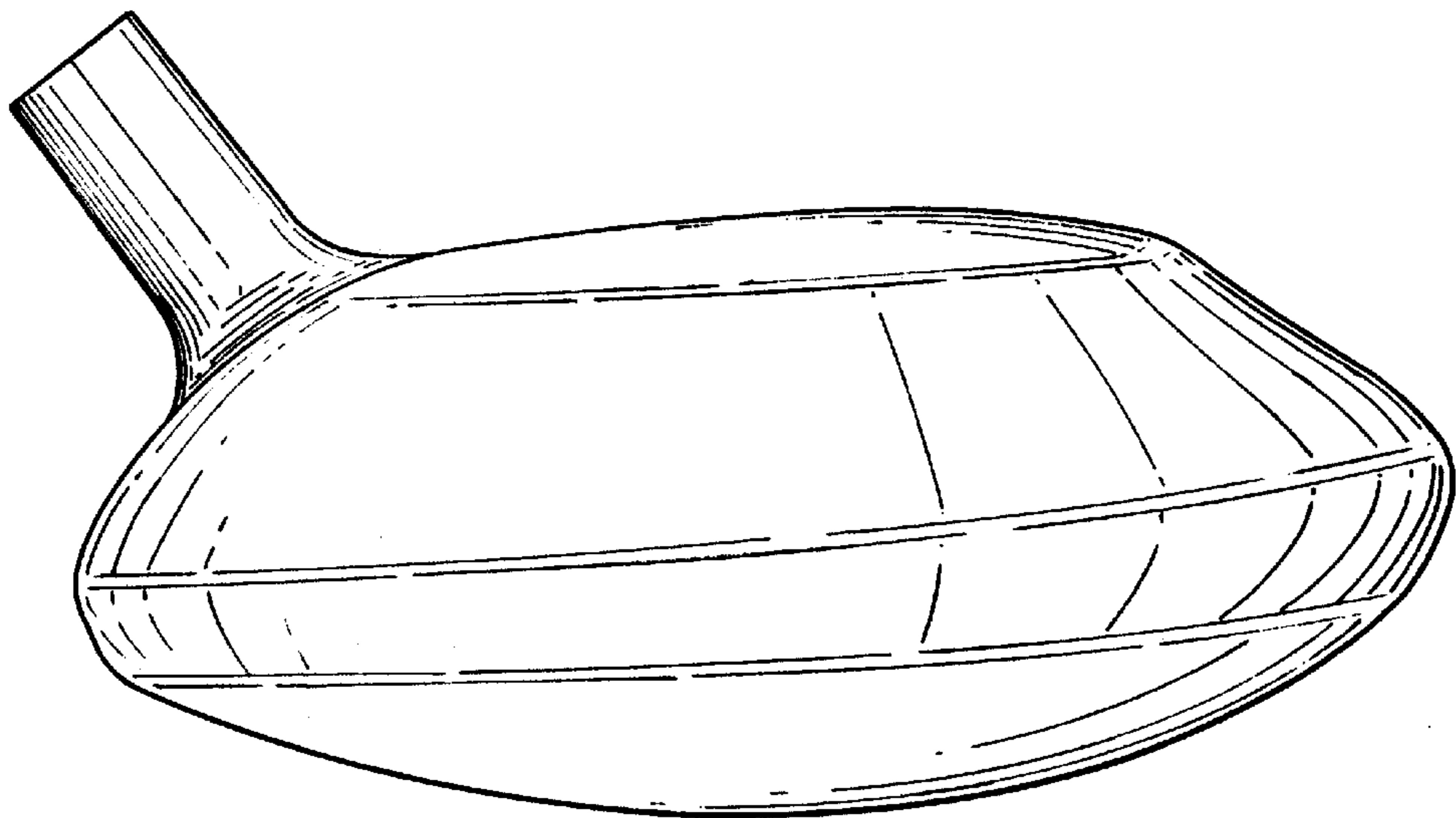


FIG. 3

FIG. 4

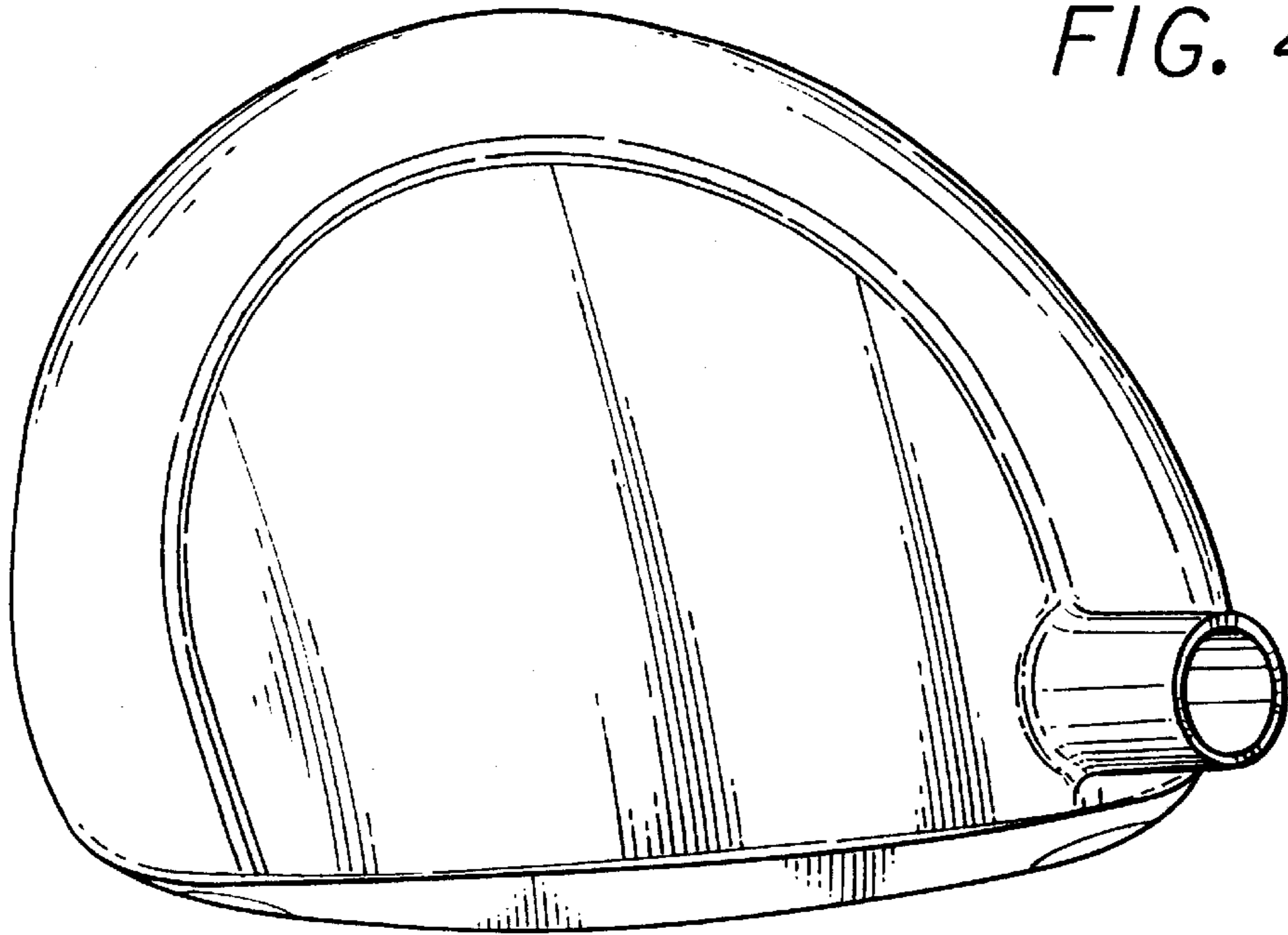
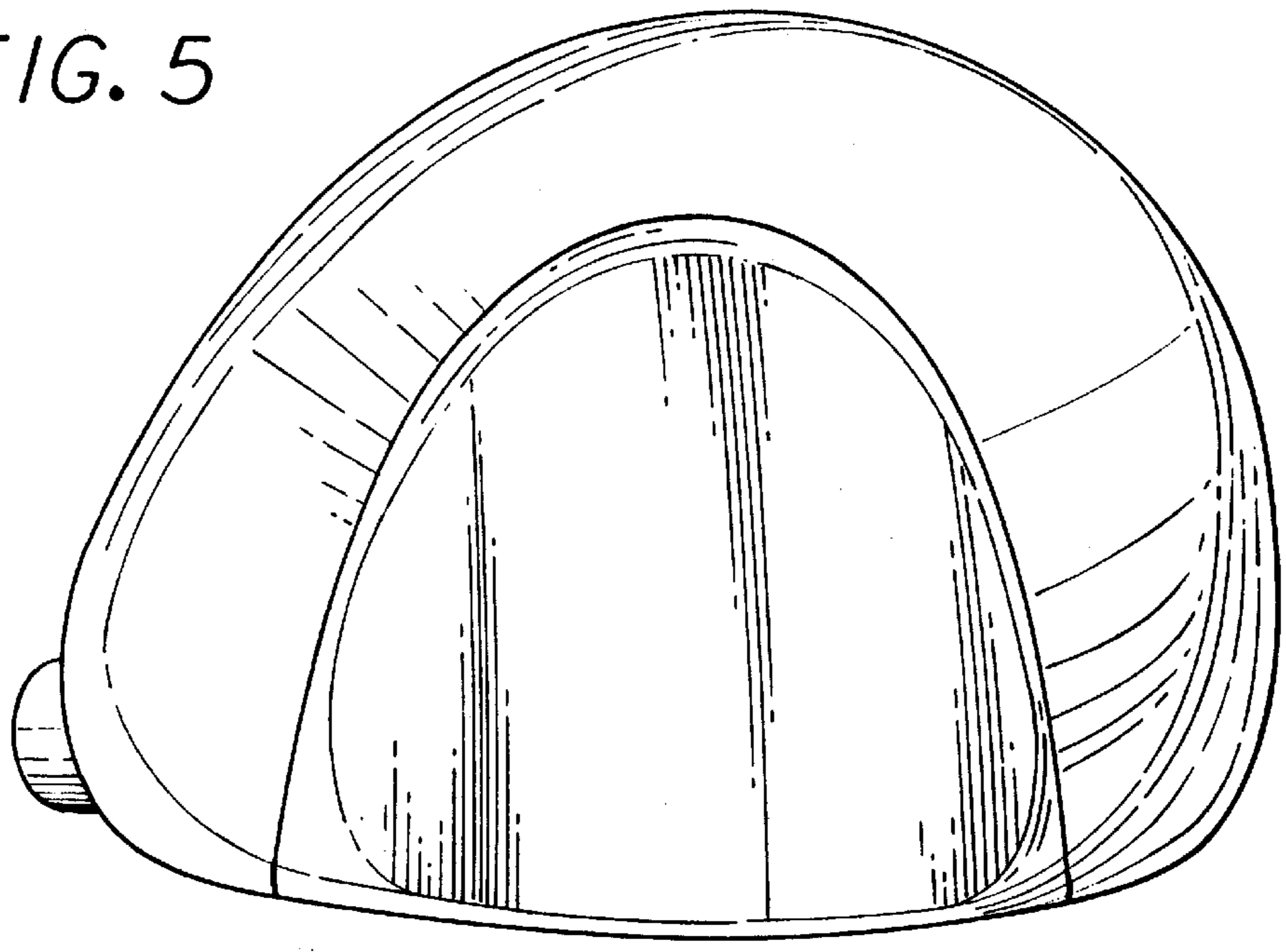


FIG. 5



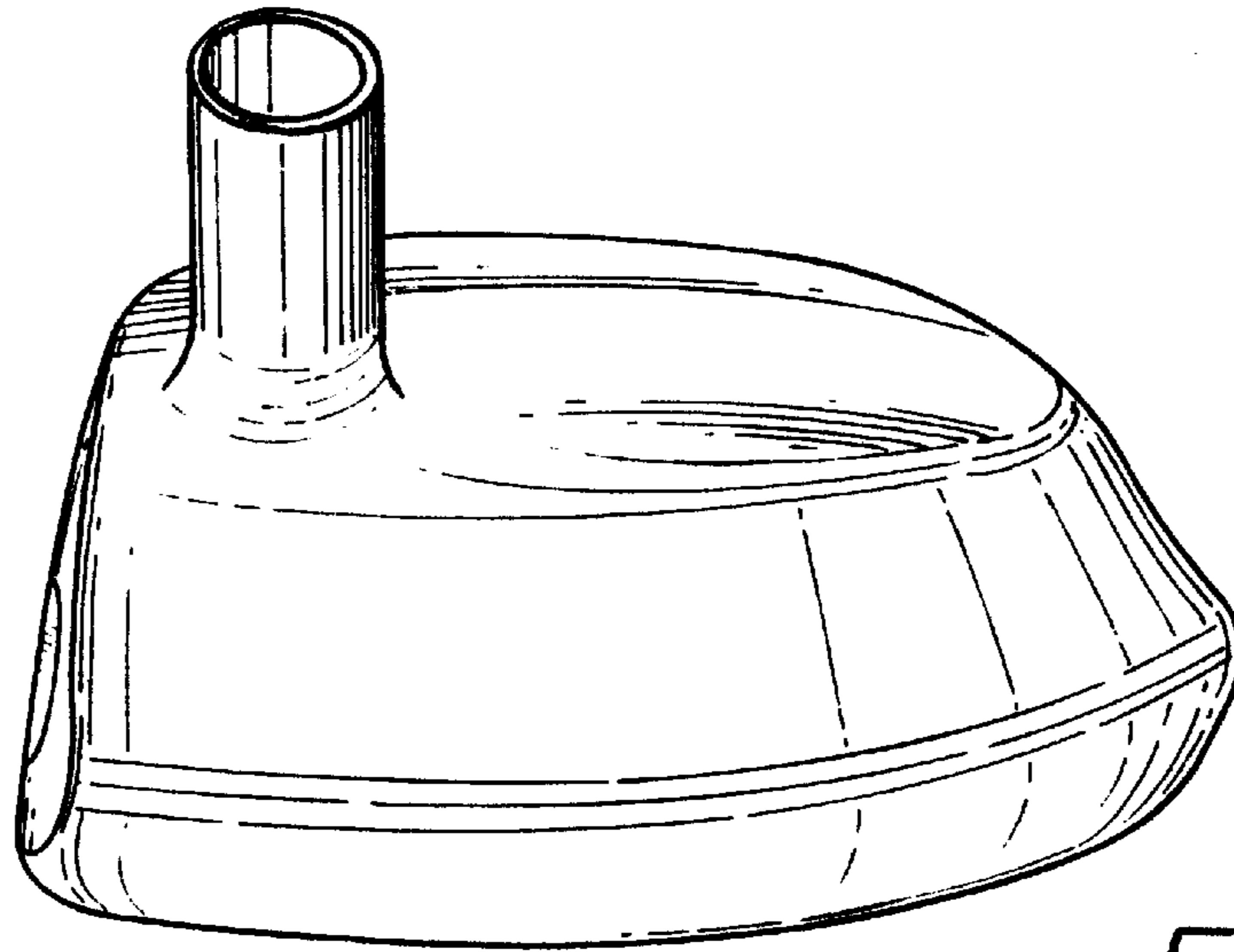


FIG. 6

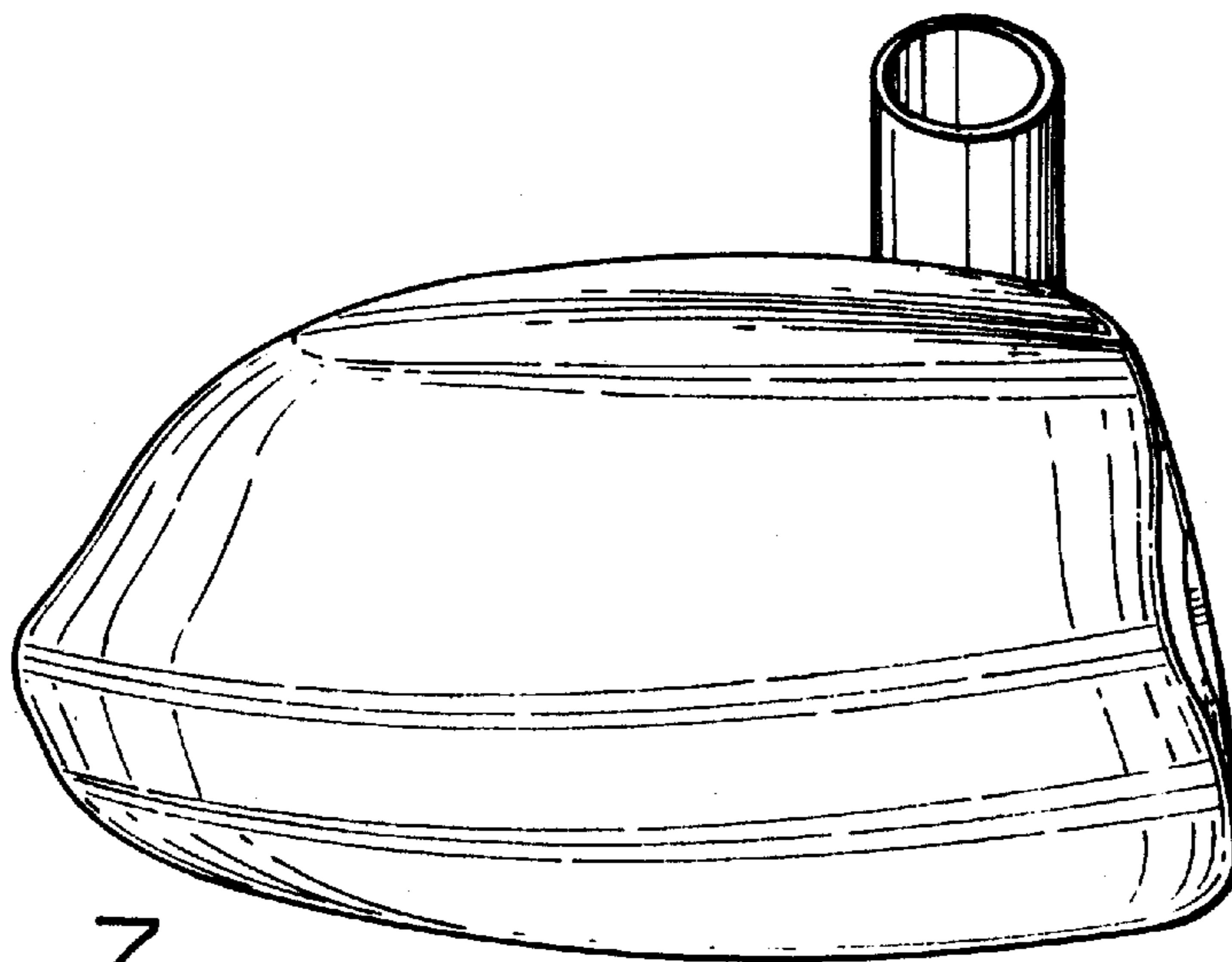


FIG. 7

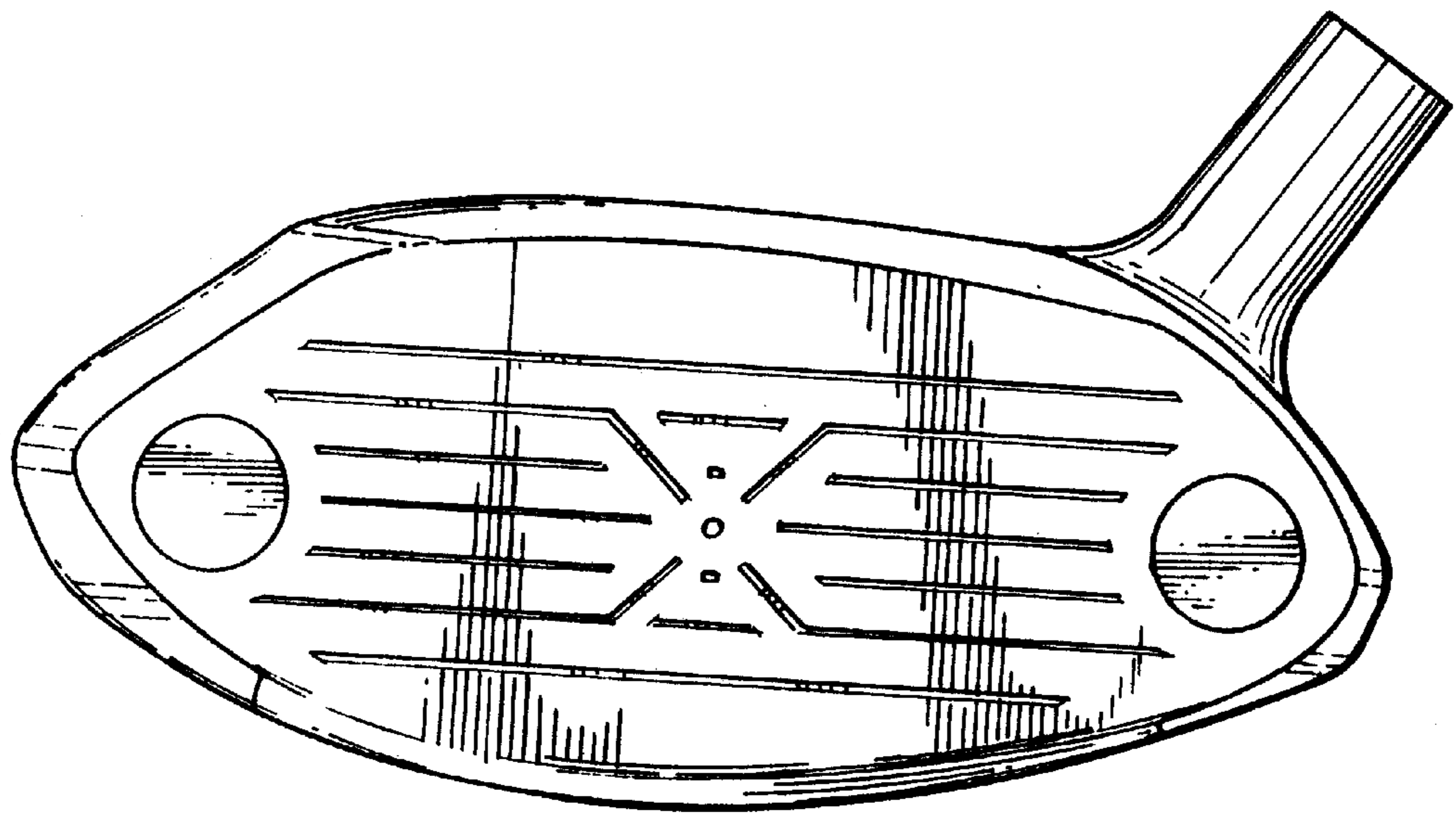


FIG. 8