



US00D444518S

(12) **United States Design Patent** (10) **Patent No.:** **US D444,518 S**
Webber (45) **Date of Patent:** **** Jul. 3, 2001**

(54) **LEG EXTENSION ARM FOR AN EXERCISE MACHINE**

(76) Inventor: **Randall T. Webber**, 100 Harbor Dr. #1404, San Diego, CA (US) 92101

(**) Term: **14 Years**

(21) Appl. No.: **29/127,658**

(22) Filed: **Aug. 9, 2000**

(51) **LOC (7) Cl.** **21-02**

(52) **U.S. Cl.** **D21/694**

(58) **Field of Search** D21/662, 694, D21/673, 674, 675, 676; 482/97, 98, 99, 93, 94, 138

Newport brochure, Jul. 1996, Pacific Fitness, Cypress, CA.
Pacific Fitness Catalina.
Multi Function Home Gym 880-3D, Hoist Fitness Systems.
Cybox Personal.
Hoist 440, Hoist Fitness Systems.
Astro-fit Brochure, date unknown.
Muscle 3, Tuff Stuff, date unknown.
H-100 Multi Gym, Hoist Brochure, 1999.
Parabody 40, Parabody Brochure, 1998.
Pacific Brochure, 1996.
Schwinn Brochure, 1994.

* cited by examiner

Primary Examiner—Philip S. Hyder
(74) *Attorney, Agent, or Firm*—Brown, Martin, Haller & McClain LLP

(56) **References Cited**

U.S. PATENT DOCUMENTS

D. 263,978	*	4/1982	Brentham	D21/676
D. 296,709	*	7/1988	Gvoich et al.	D21/675
D. 306,053	*	2/1990	Beistegui	D21/675
D. 330,238	*	10/1992	Desiderio	D21/675
D. 358,183	*	5/1995	Habing et al.	D21/675
D. 359,326	*	6/1995	Deola	D21/675
D. 370,040	*	5/1996	Habing et al.	D21/675
4,858,915		8/1989	Szabo	482/100
5,236,406		8/1993	Webber	482/100
5,395,295		3/1995	Ish, III	482/100
5,653,669		8/1997	Cheng	482/138
5,674,167	*	10/1997	Piaget et al.	482/130
5,961,428		10/1999	Webber	482/100

OTHER PUBLICATIONS

Body Focus Body Weight Resistance System—Owner's Manual (Revised), 1994, Weslo, Inc., a Subsidiary of Weider Health and Fitness, Inc.

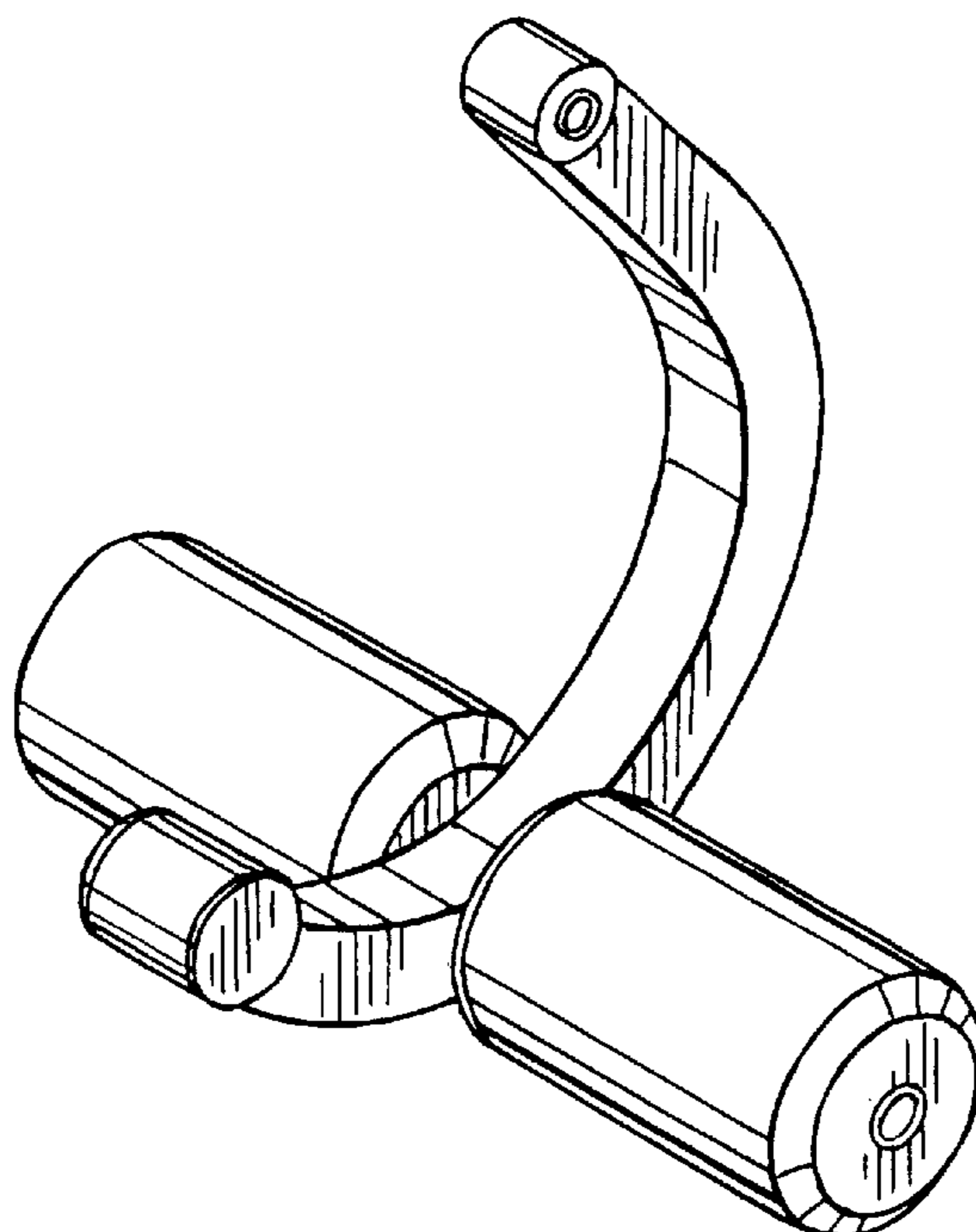
(57) **CLAIM**

The ornamental design for a leg extension arm for an exercise machine, as shown.

DESCRIPTION

FIG. 1 is a perspective view of a leg extension arm for an exercise machine showing my new design;
FIG. 2 is a perspective view from the opposite side thereof;
FIG. 3 is a side elevational view
FIG. 4 is a bottom plan view thereof; and,
FIG. 5 is a side elevational view thereof with a portion of an associated exercise machine indicated in broken line.
The broken line showing of the exercise machine structure is for illustrative purposes only and forms no part of the claimed design.

1 Claim, 1 Drawing Sheet



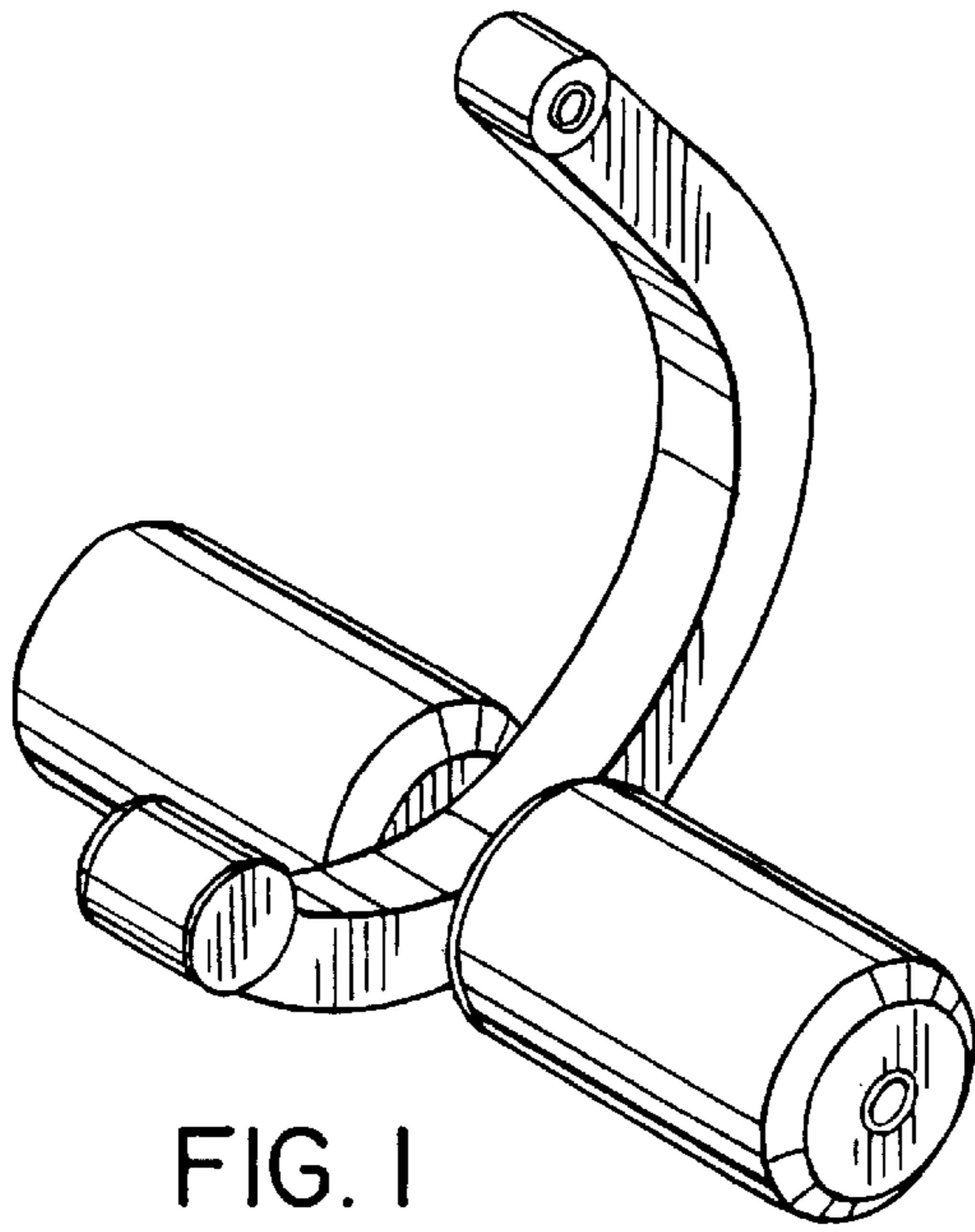


FIG. 1

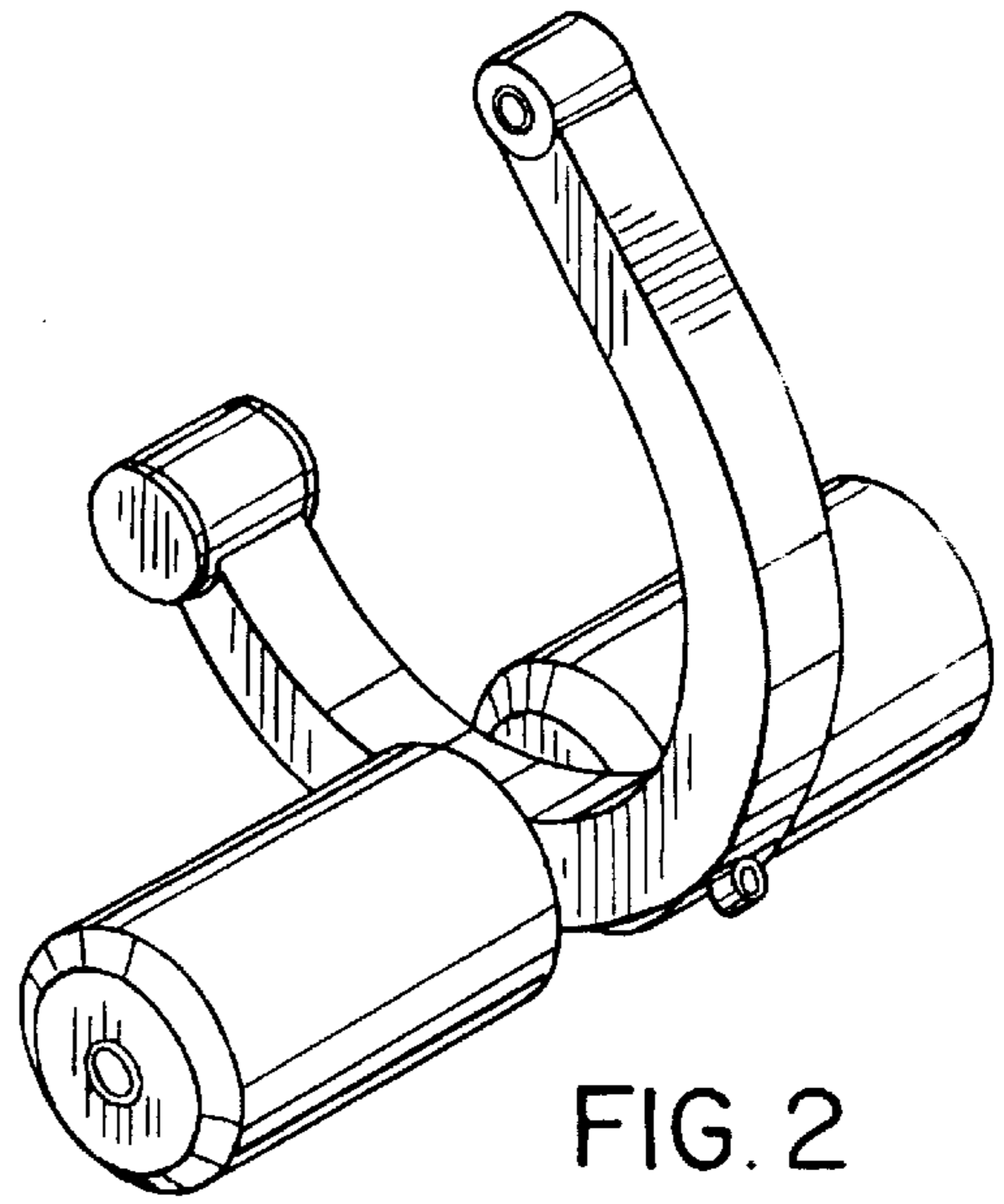


FIG. 2

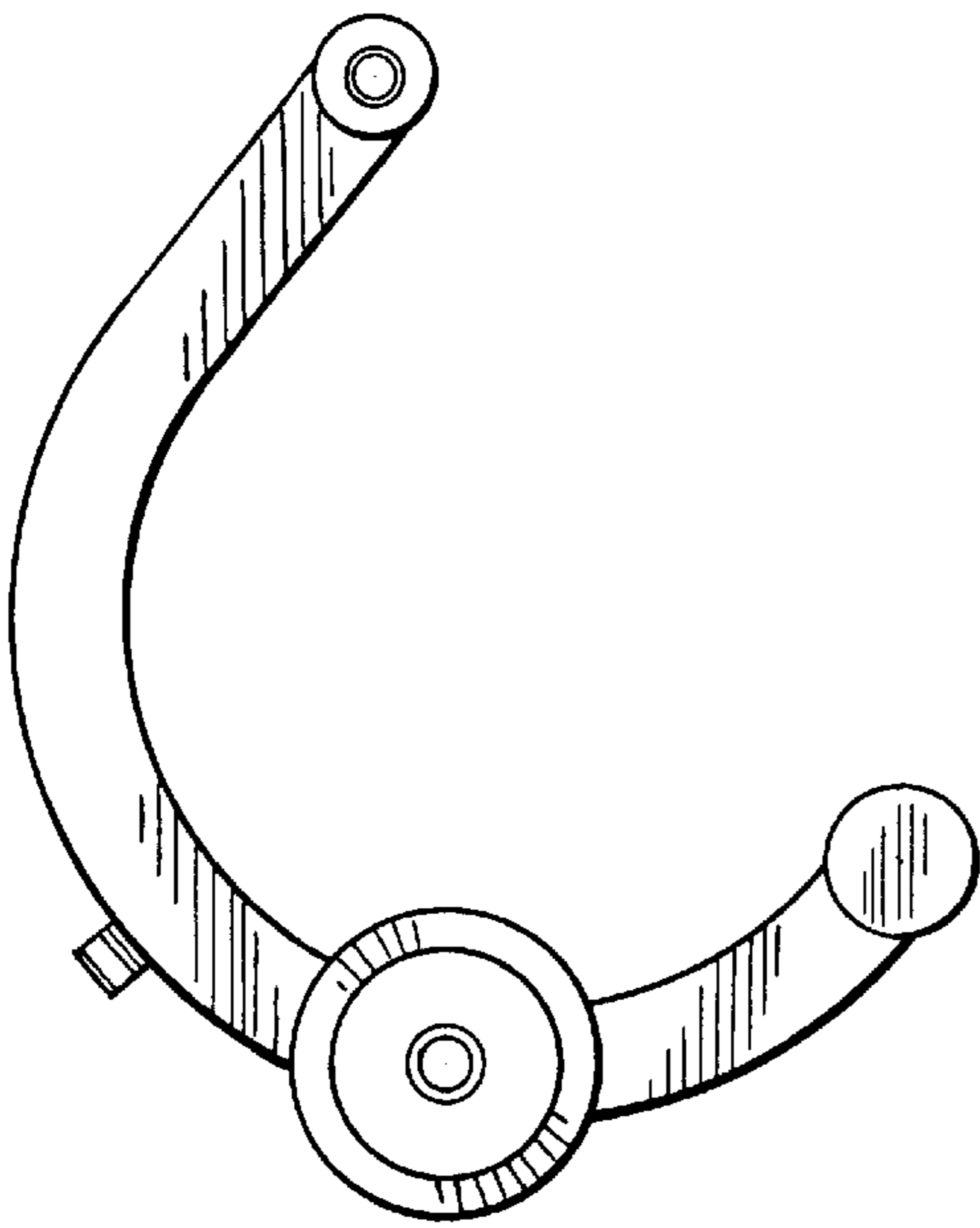


FIG. 3

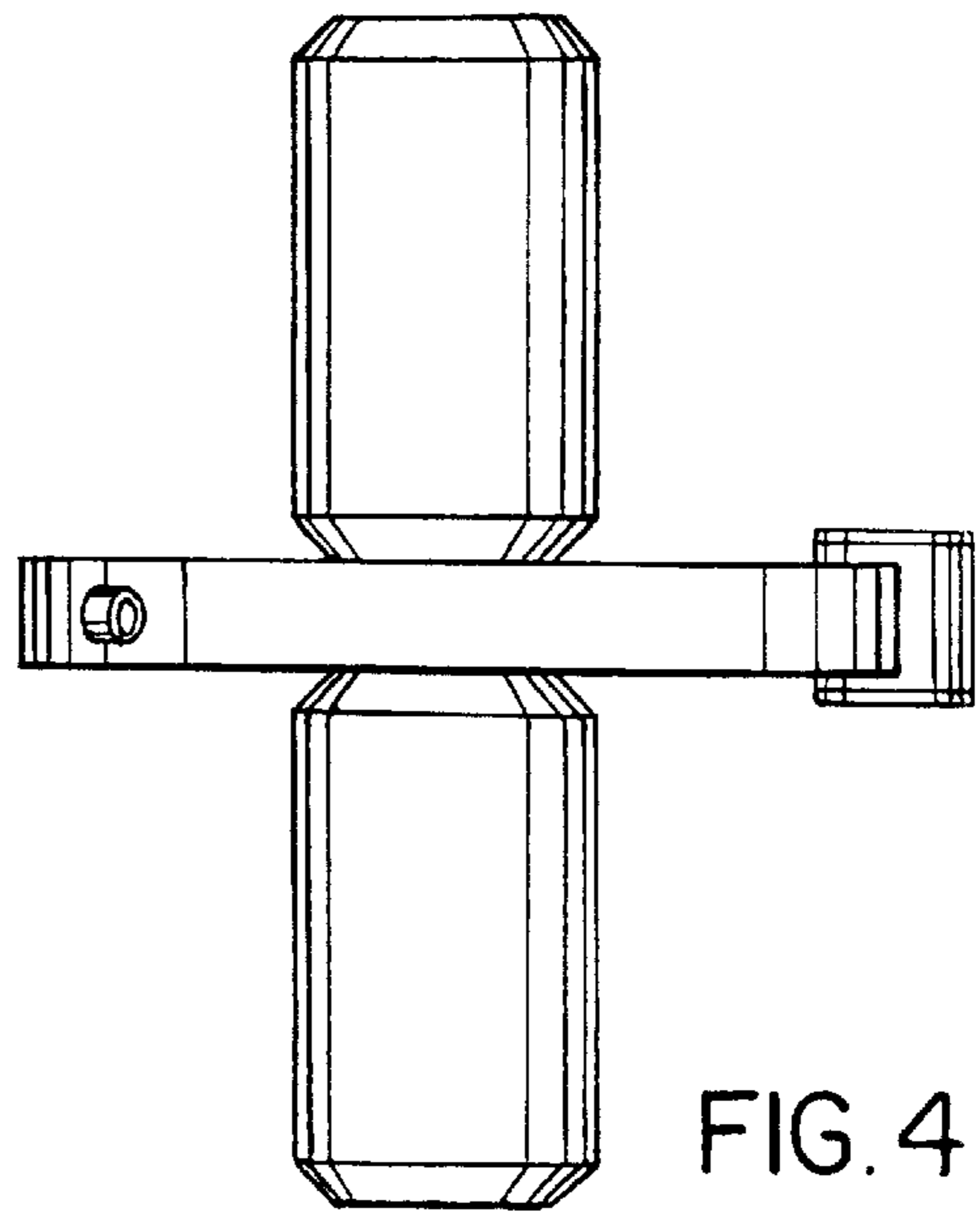


FIG. 4

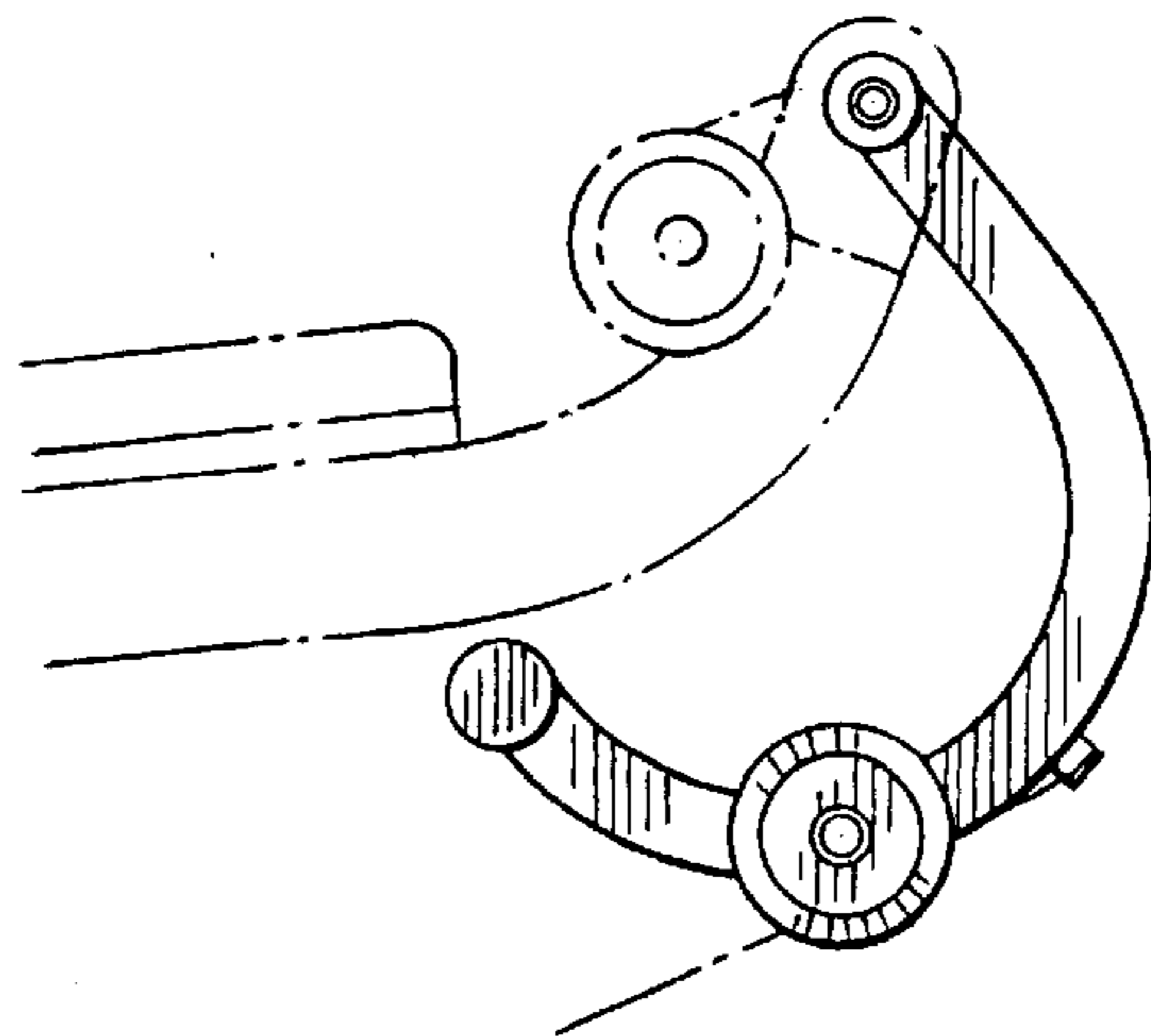


FIG. 5