



US00D444517S

(12) **United States Design Patent**
Jonz

(10) **Patent No.:** **US D444,517 S**

(45) **Date of Patent:** **** Jul. 3, 2001**

(54) **ABDOMINAL EXERCISE CYCLE**

(76) **Inventor:** **Juillei J. Jonz**, Lincoln Station 3805 S.
G St., Tacoma, WA (US) 98408

(**) **Term:** **14 Years**

(21) **Appl. No.:** **29/122,935**

(22) **Filed:** **May 8, 2000**

(51) **LOC (7) Cl.** **21-02**

(52) **U.S. Cl.** **D21/687; D21/662**

(58) **Field of Search** D21/662, 666,
D21/663, 687, 690; 482/140, 51, 57, 52,
79, 80

(56) **References Cited**

U.S. PATENT DOCUMENTS

- D. 210,083 * 2/1968 Werner D21/666
- D. 211,478 * 6/1968 Margolies D21/666
- D. 362,700 * 9/1995 Breibart et al. D21/690

- D. 365,860 * 1/1996 Giger D21/690
- 4,538,804 * 9/1985 Zibell 482/57
- 4,974,840 * 12/1990 Welch 482/57

* cited by examiner

Primary Examiner—Philip S. Hyder

(74) *Attorney, Agent, or Firm*—Gregory W. Moravan

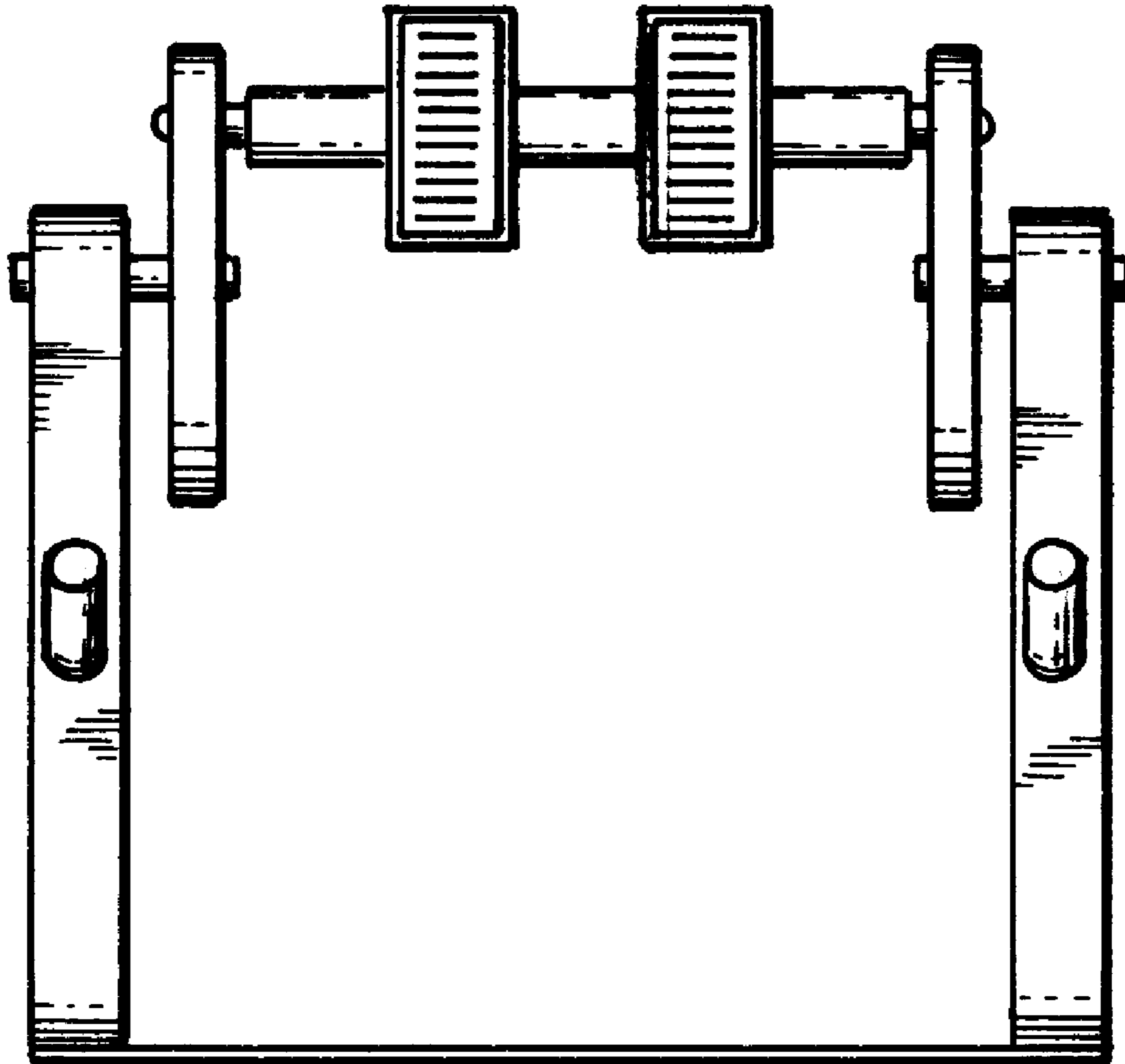
(57) **CLAIM**

The ornamental design for a “abdominal exercise cycle,” as shown.

DESCRIPTION

FIG. 1 is a front elevation view;
FIG. 2 is a rear elevation view;
FIG. 3 is a top plan view;
FIG. 4 is a bottom plan view;
FIG. 5 is a right side elevation view; and,
FIG. 6 is a left side elevation view.

1 Claim, 2 Drawing Sheets



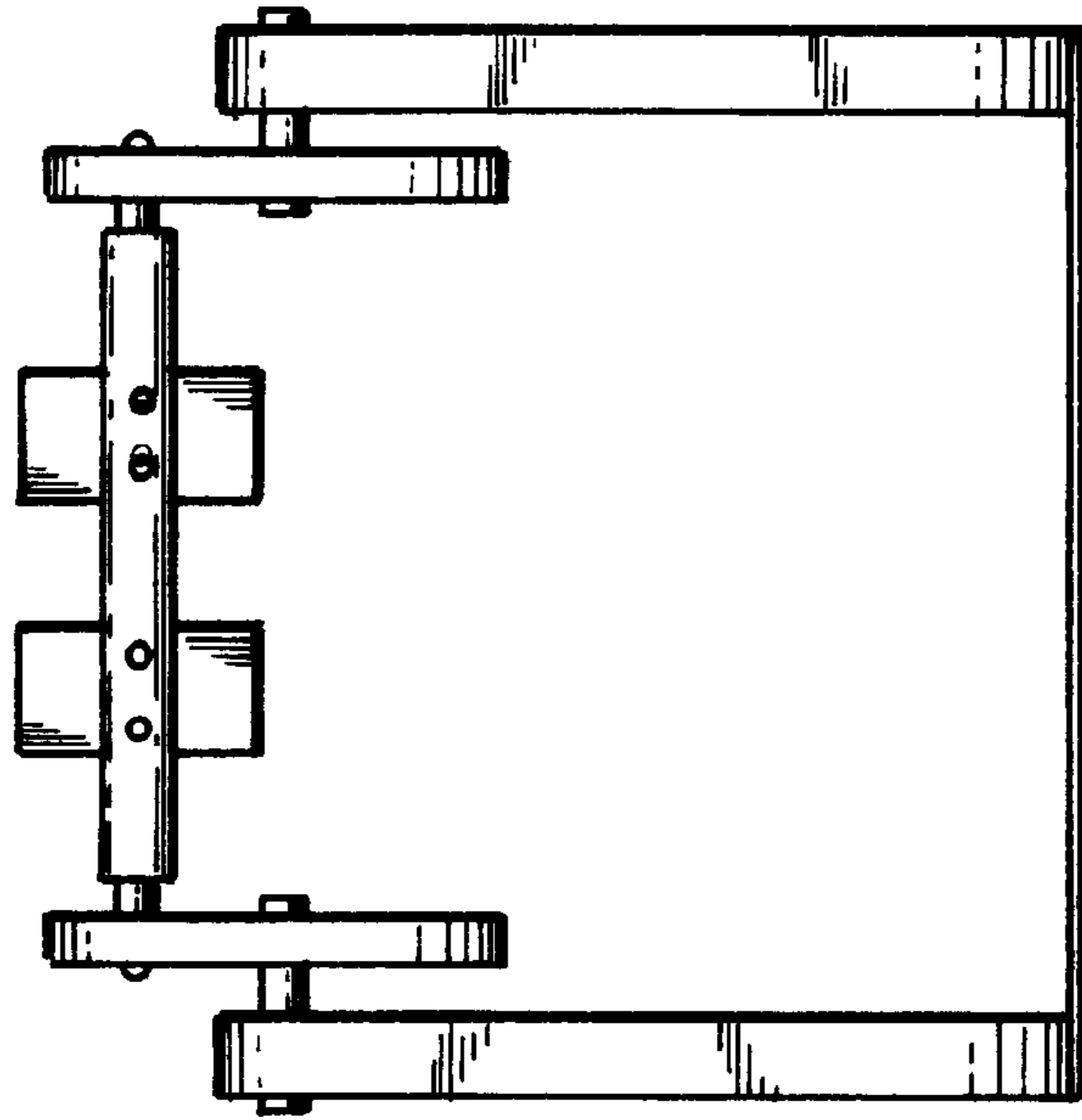


FIG. 2

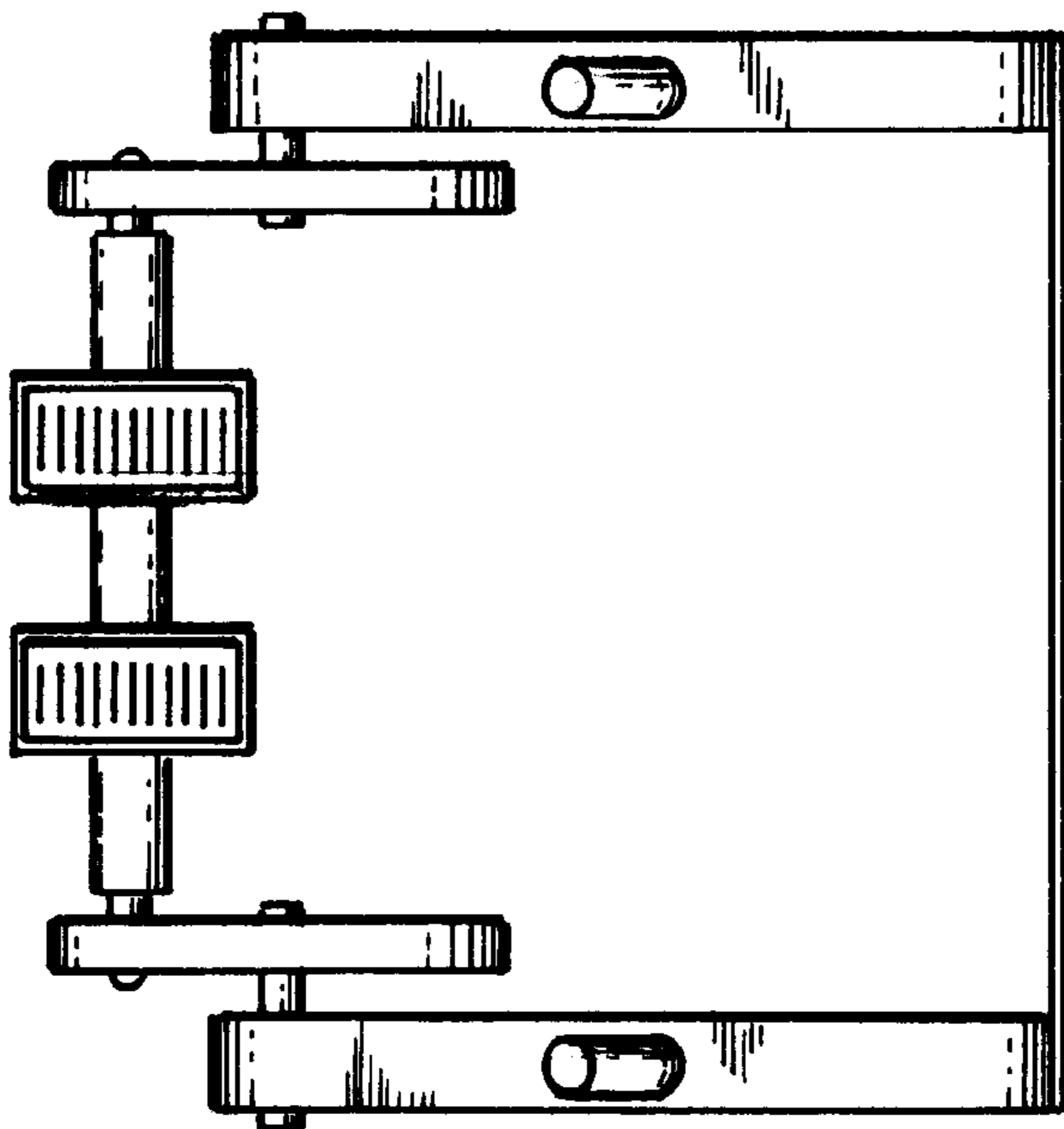


FIG. 1

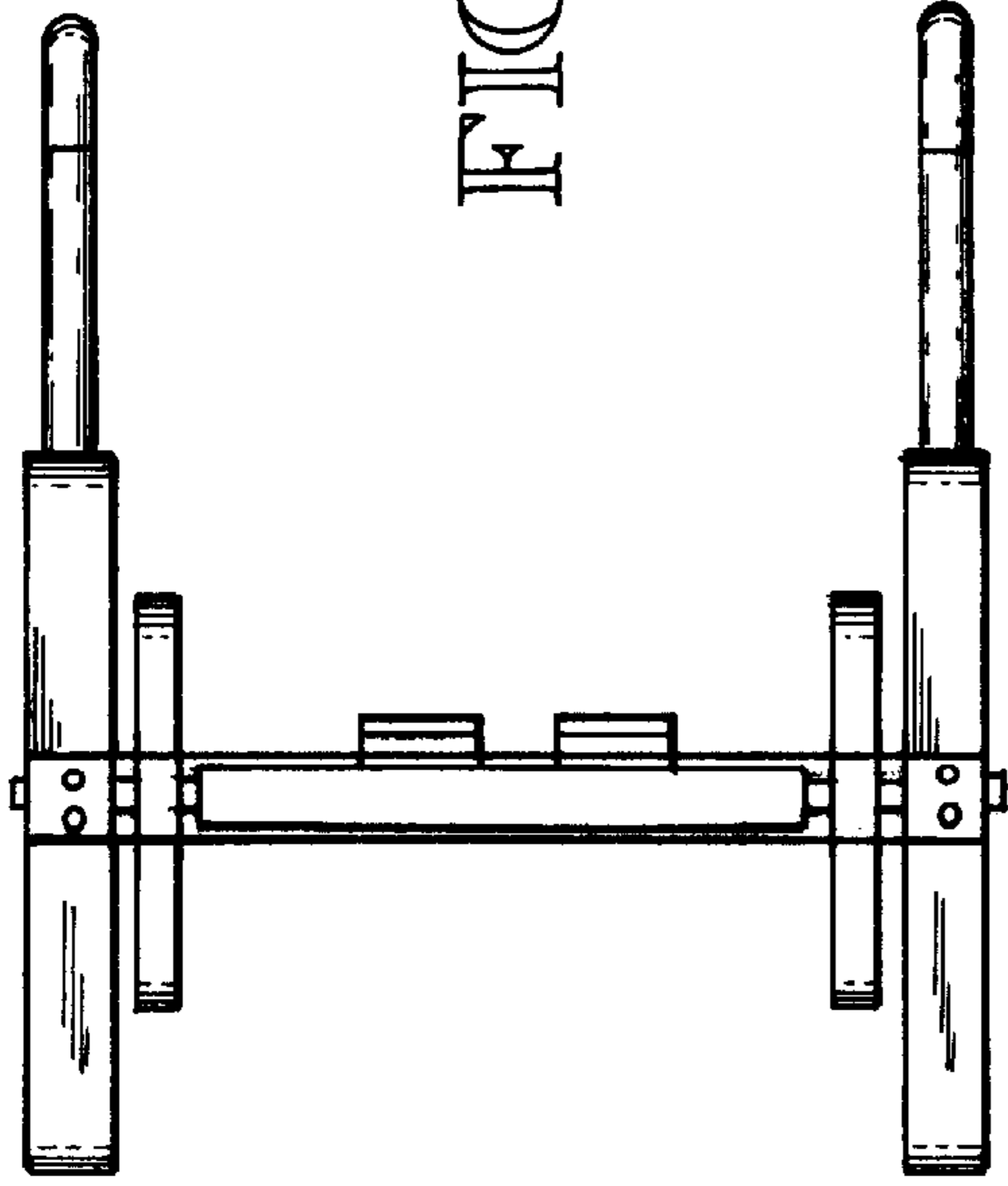


FIG. 4

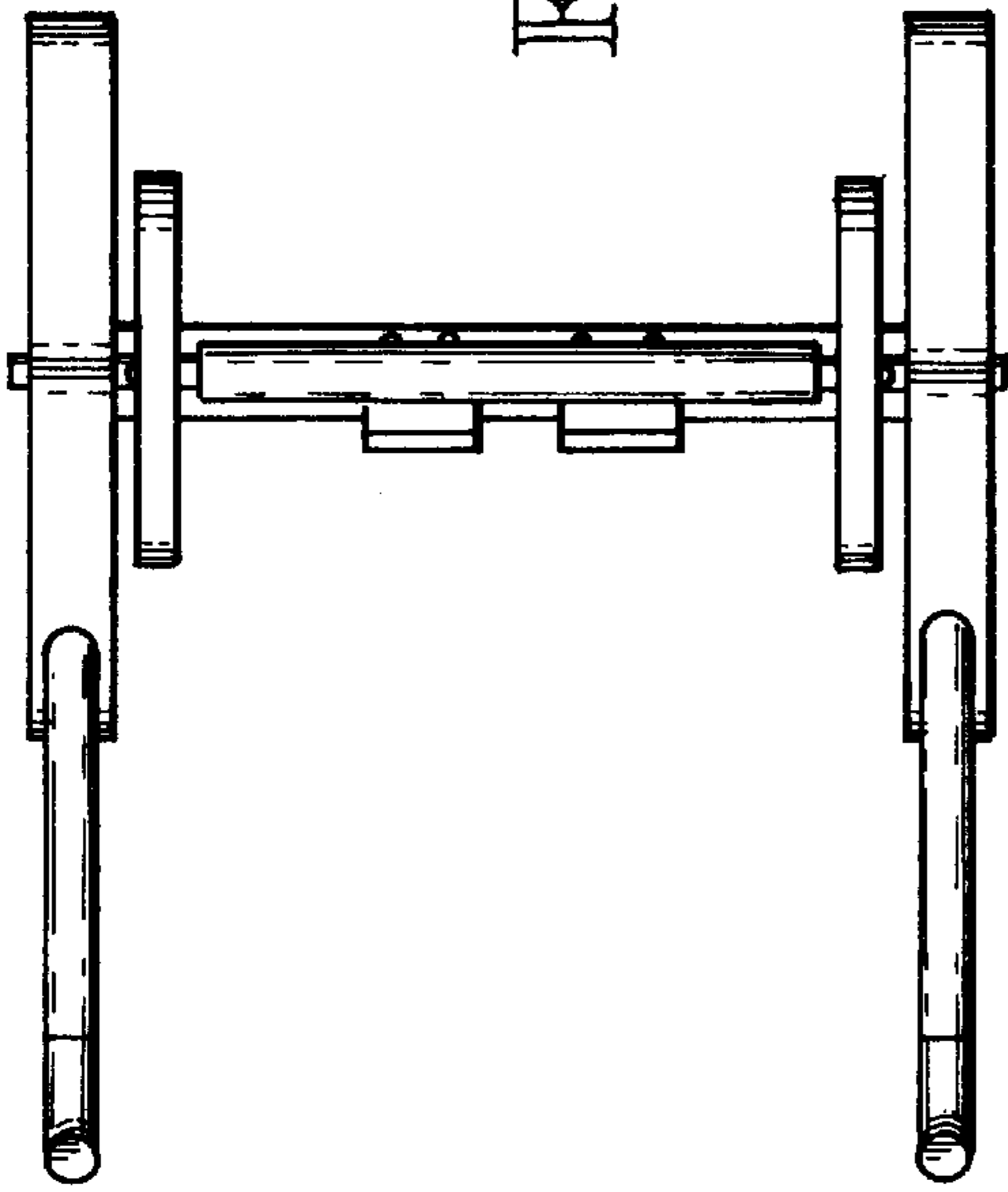


FIG. 3

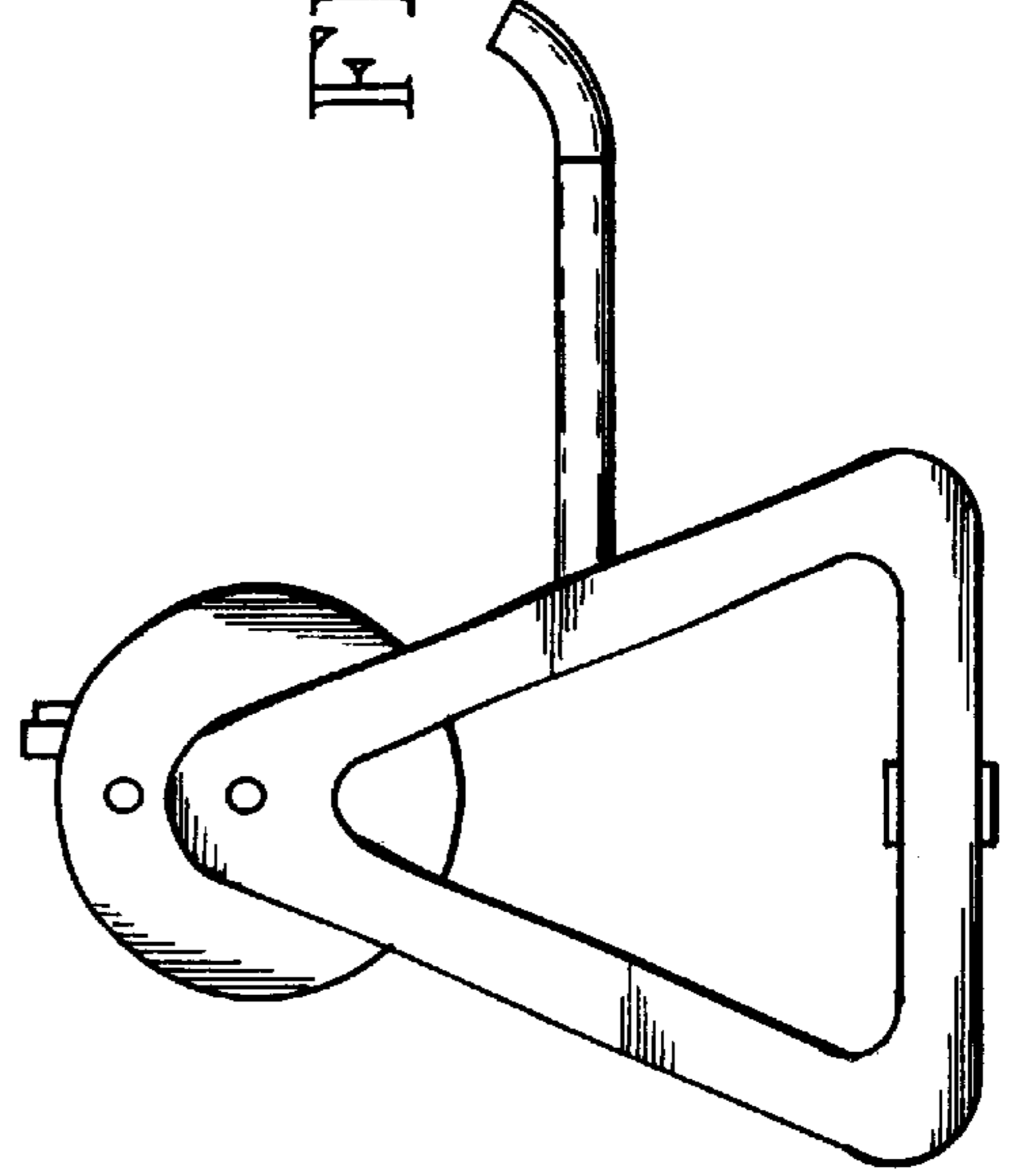


FIG. 6

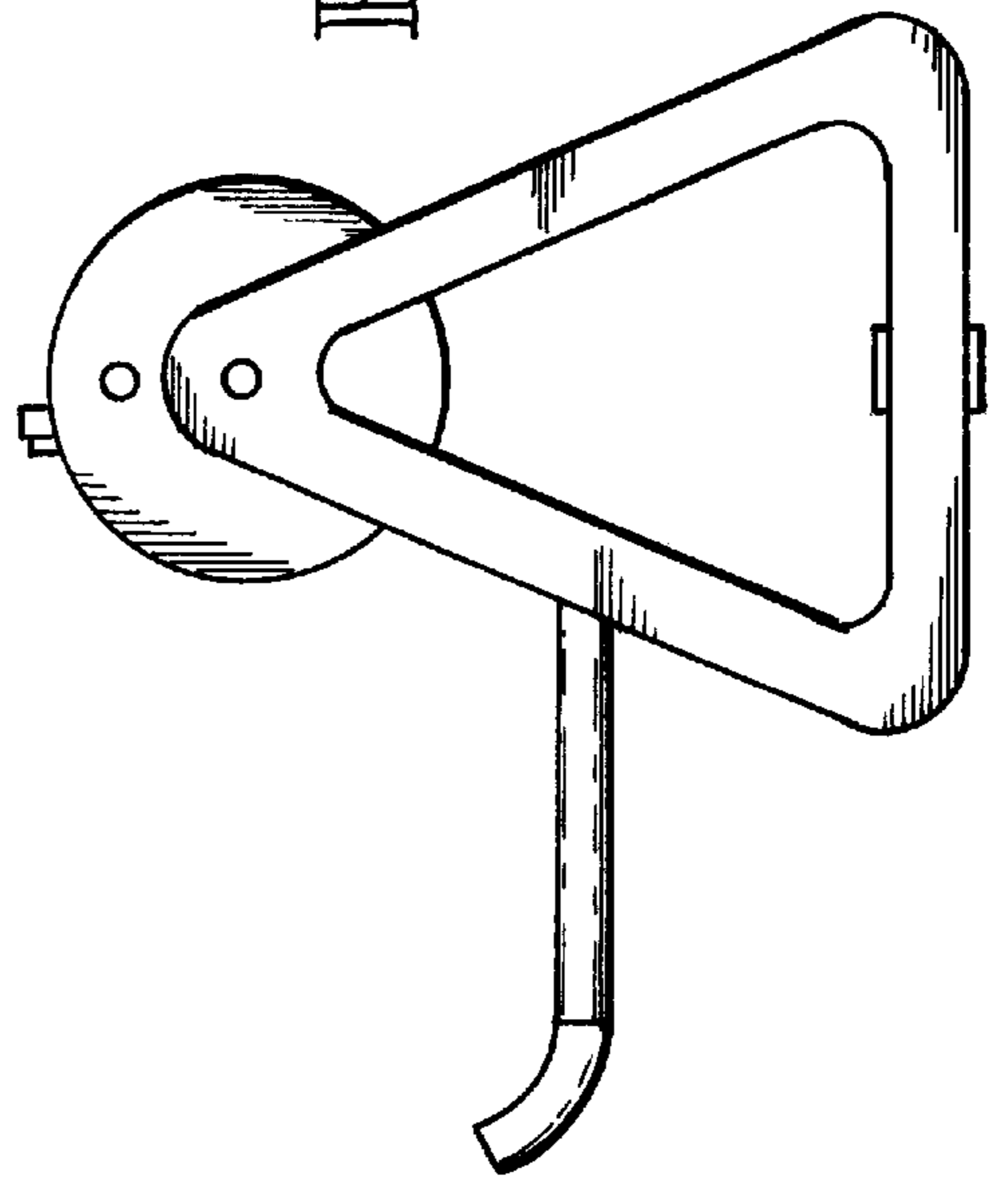


FIG. 5