



US00D444515S

(12) **United States Design Patent**  
**Moran et al.**

(10) **Patent No.:** **US D444,515 S**

(45) **Date of Patent:** **\*\* Jul. 3, 2001**

(54) **STATIONARY EXERCISE CYCLE**

(75) **Inventors:** **Thomas Moran; James Birrell**, both of Seattle, WA (US); **Jack B. Hough**, Chicago, IL (US)

(73) **Assignee:** **Illinois Tool Works Inc.**, Glenview, IL (US)

(\*\*) **Term:** **14 Years**

(21) **Appl. No.:** **29/128,346**

(22) **Filed:** **Aug. 22, 2000**

**Related U.S. Application Data**

(62) Division of application No. 29/095,121, filed on Oct. 15, 1998.

(51) **LOC (7) Cl.** ..... **21-02**

(52) **U.S. Cl.** ..... **D21/663**

(58) **Field of Search** ..... D21/662, 663, D21/664, 665, 667, 666; 482/51, 52, 53, 54, 57, 58

(56) **References Cited**

**U.S. PATENT DOCUMENTS**

D. 299,371	1/1989	Tsuyama	.....	D21/663
D. 299,670	1/1989	Lin et al.	.....	D21/663
D. 300,046	2/1989	Armstrong et al.	.....	D21/666
D. 340,758	10/1993	Ueda	.....	D21/666
D. 342,299	12/1993	Birrell et al.	.....	D21/666
D. 344,313	* 2/1994	Wu	.....	D21/663
D. 347,039	5/1994	Littrell et al.	.....	D21/666

D. 353,422	12/1994	Bostic et al.	.....	D21/666
D. 353,690	* 12/1994	Tsushi et al.	.....	D21/663
D. 362,699	9/1995	Heaton et al.	.....	D21/666
D. 366,298	* 1/1996	Wu	.....	D21/663
D. 398,673	* 9/1998	Huang	.....	D21/663
D. 399,894	* 10/1998	Chiu	.....	D21/663
D. 401,644	* 11/1998	Chen	.....	D21/663
D. 403,032	12/1998	Huang	.....	D21/666
D. 406,288	* 3/1999	Chen	.....	D21/663
4,358,105	11/1982	Sweeney, Jr.	.....	482/5
4,752,066	6/1988	Housayama	.....	482/63
4,932,650	6/1990	Bingham et al.	.....	482/650
5,902,215	* 5/1999	Kuo	.....	482/57

\* cited by examiner

*Primary Examiner*—Philip S. Hyder

(74) *Attorney, Agent, or Firm*—Christensen O'Connor Johnson Kindness PLLC

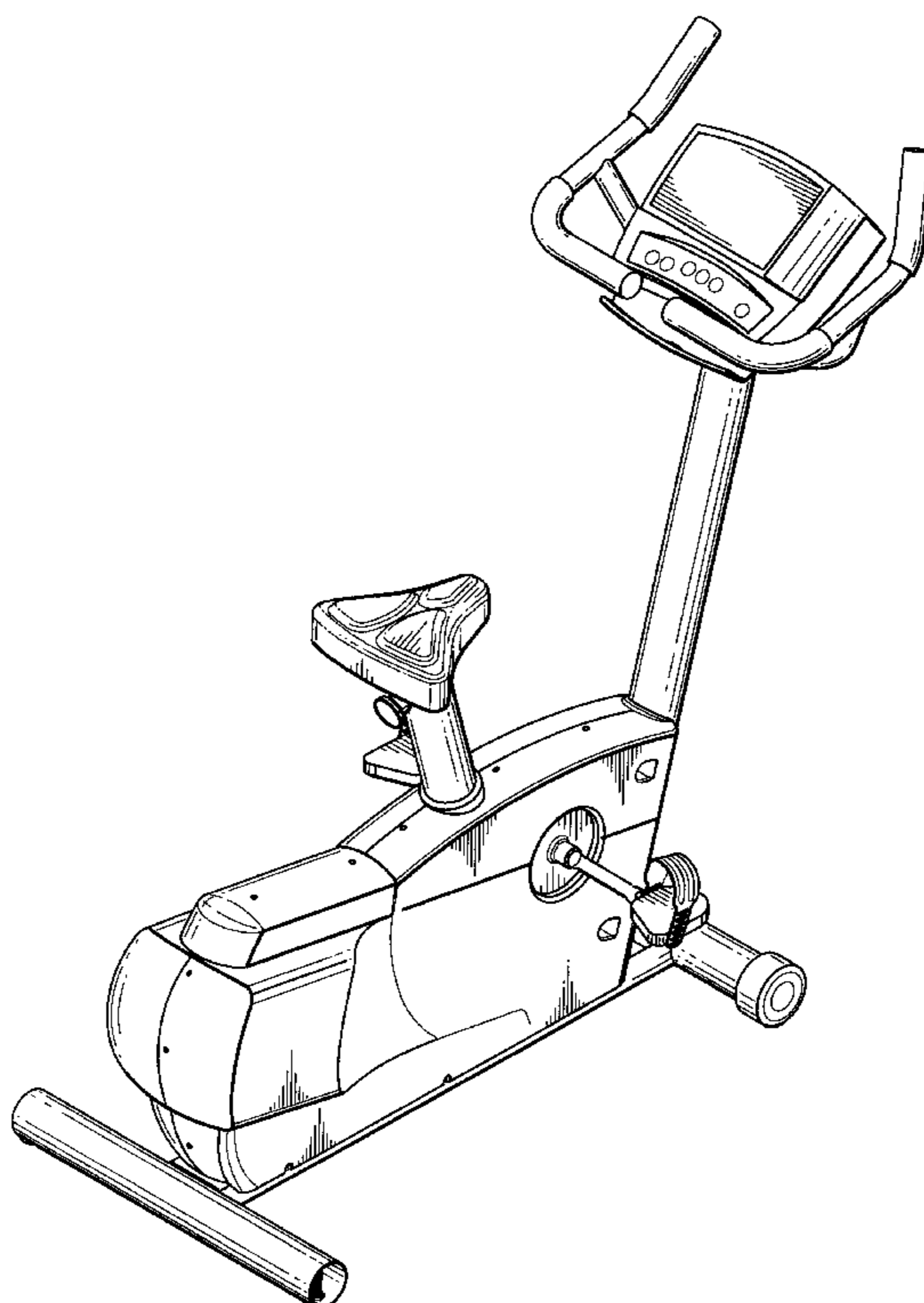
(57) **CLAIM**

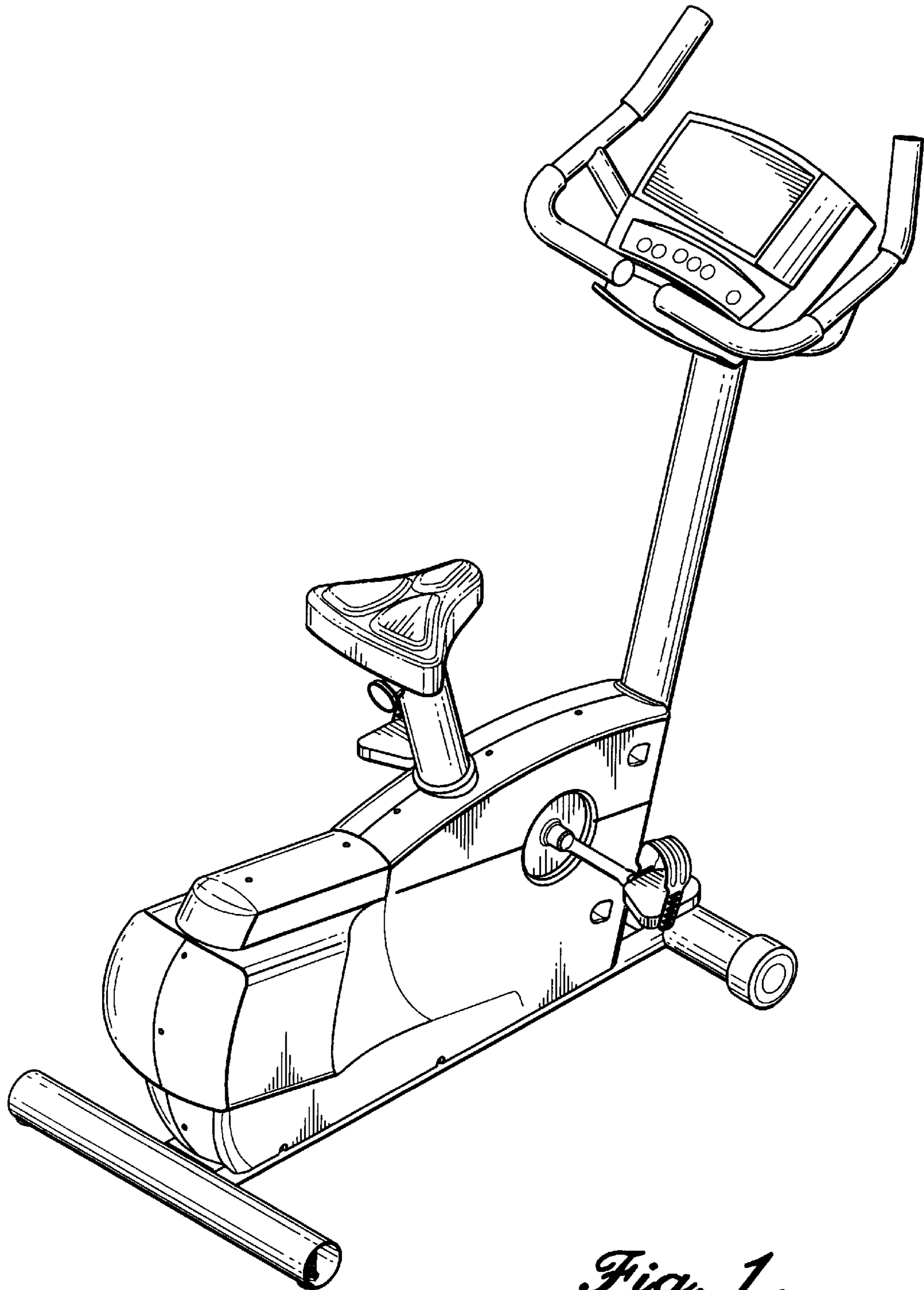
The ornamental design for a stationary exercise cycle, as shown and described.

**DESCRIPTION**

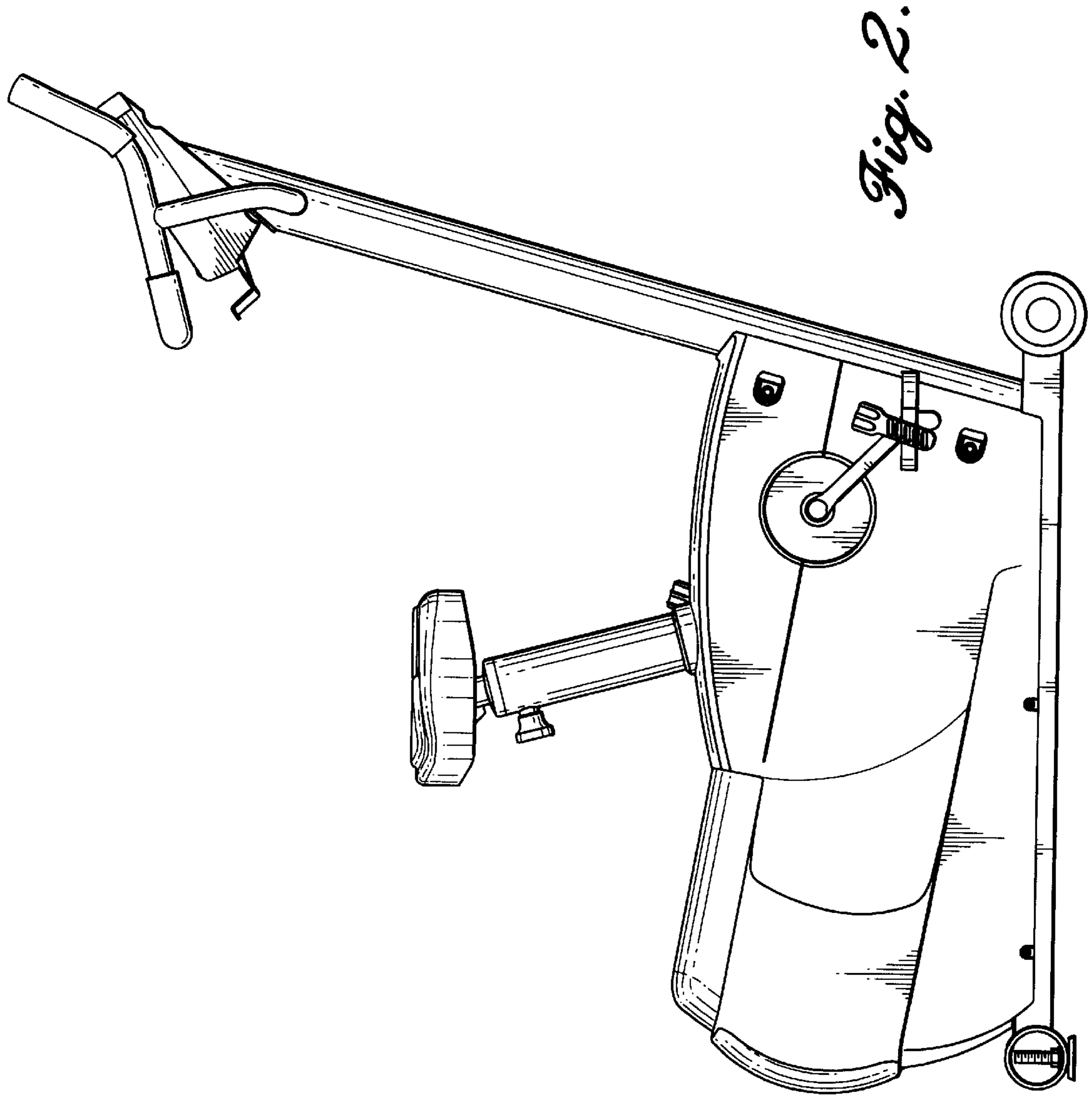
FIG. 1 is a side perspective view of the stationary exercise cycle showing the new design;  
FIG. 2 is a side elevational view thereof;  
FIG. 3 is a side elevational view thereof taken from the opposite side of FIG. 2;  
FIG. 4 is a front elevational view thereof;  
FIG. 5 is a rear elevational view thereof;  
FIG. 6 is a top view thereof; and,  
FIG. 7 is a bottom view thereof.

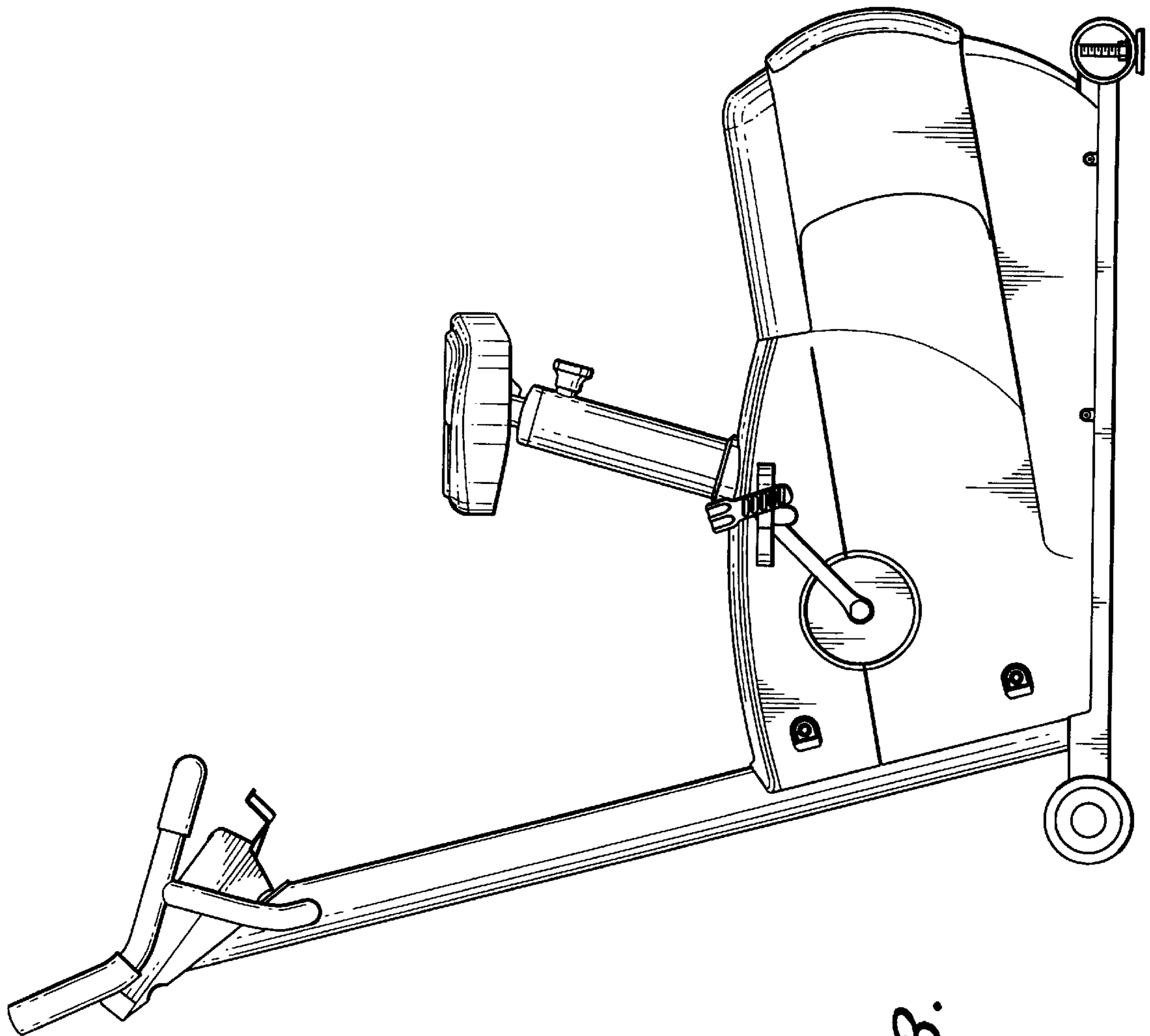
**1 Claim, 6 Drawing Sheets**





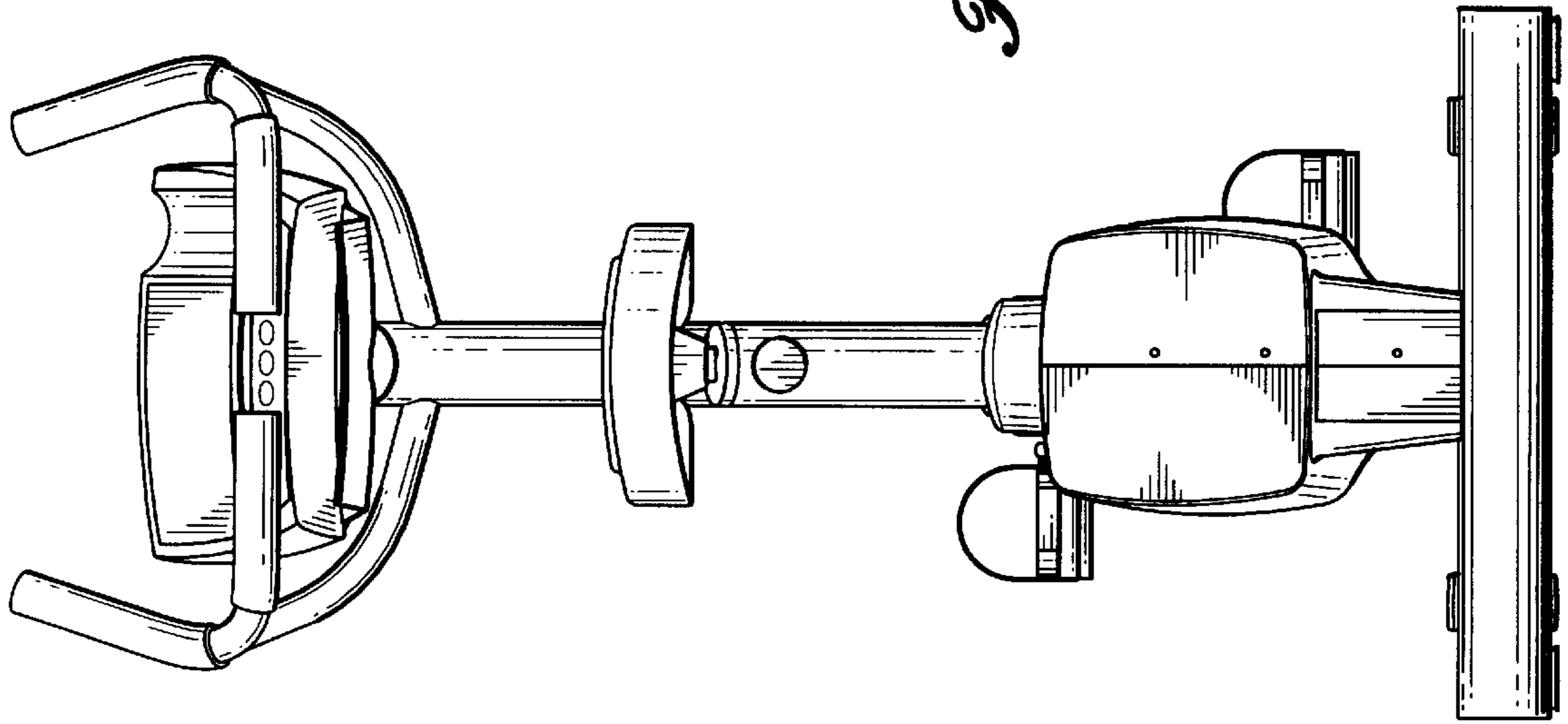
*Fig. 1.*



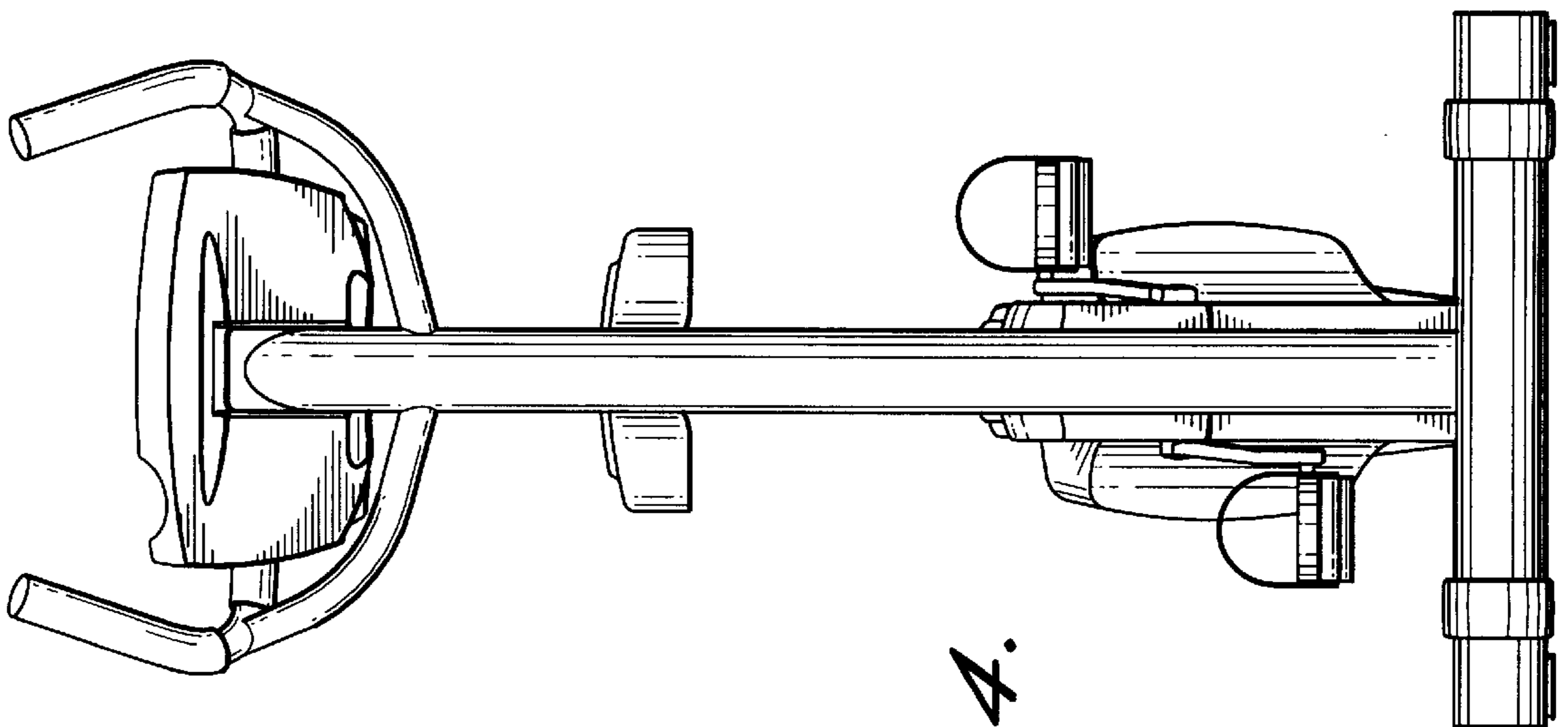


*Fig. 3.*

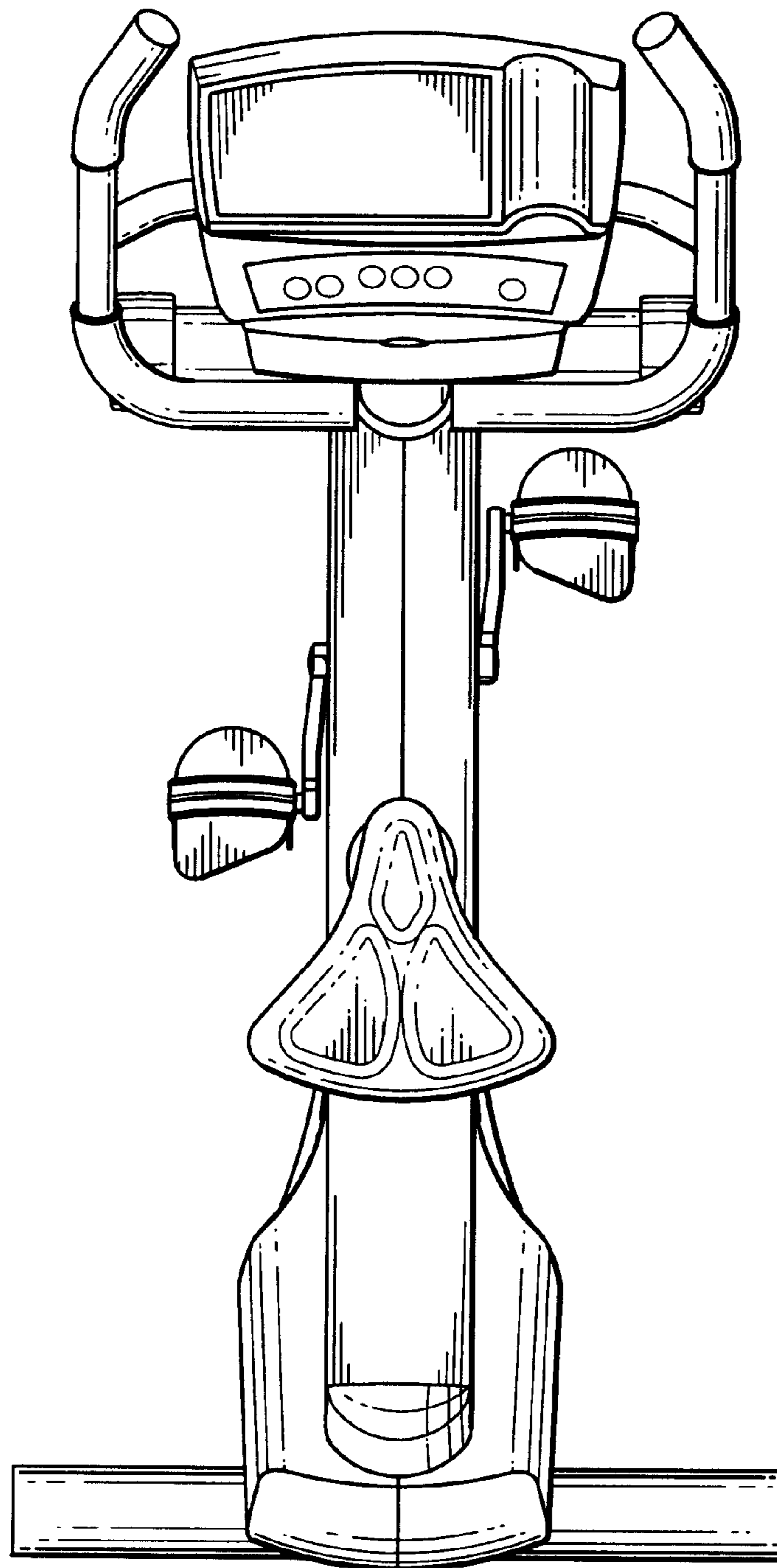




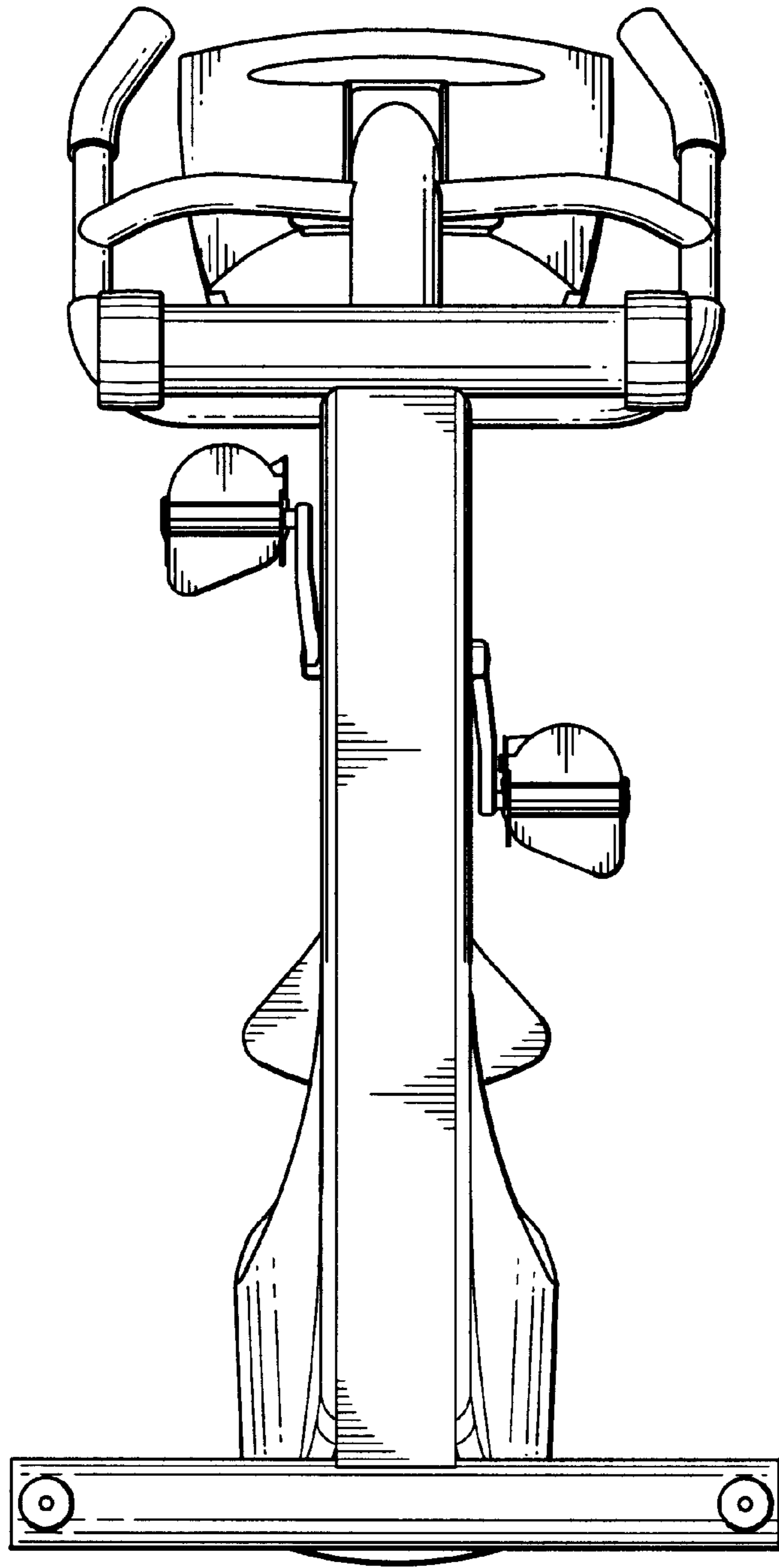
*Fig. 5.*



*Fig. 4.*



*Fig. 6.*



*Fig. 7.*

UNITED STATES PATENT AND TRADEMARK OFFICE  
**CERTIFICATE OF CORRECTION**

PATENT NO. : Des 444,515 S  
DATED : July 3, 2001  
INVENTOR(S) : T. Moran et al.

Page 1 of 1

It is certified that error appears in the above-identified patent and that said Letters Patent is hereby corrected as shown below:

Title page,  
Item [56] **Related U.S. Application Data**, after "1998" insert -- now Pat. No.  
D439,289 --

Signed and Sealed this

Twenty-first Day of May, 2002

*Attest:*



*Attesting Officer*

JAMES E. ROGAN  
*Director of the United States Patent and Trademark Office*