



US00D444513S

(12) **United States Design Patent**  
**Haupt**

(10) **Patent No.:** **US D444,513 S**

(45) **Date of Patent:** **\*\* Jul. 3, 2001**

(54) **INFANT MOBILE**

(76) **Inventor:** **Bonnie A. Haupt**, 49 High Rd.,  
Bethany, CT (US) 06524

(\*\*) **Term:** **14 Years**

(21) **Appl. No.:** **29/118,475**

(22) **Filed:** **Feb. 9, 2000**

(51) **LOC (7) Cl.** ..... **21-01**

(52) **U.S. Cl.** ..... **D21/467**

(58) **Field of Search** ..... D21/465, 467,  
D21/476; 446/227, 228; D23/377

(56) **References Cited**

**U.S. PATENT DOCUMENTS**

- D. 171,593 3/1954 Hagey .
- D. 237,287 \* 10/1975 Crawford ..... D21/467
- D. 237,288 10/1975 Crawford .
- D. 261,783 11/1981 Nakao et al. .
- D. 278,446 4/1985 Kujawski et al. .

- D. 306,323 2/1990 Wise .
- D. 346,858 \* 5/1994 Lee ..... D23/377
- D. 356,346 \* 3/1995 Yip ..... D21/467
- D. 364,652 11/1995 Santana .
- D. 392,695 3/1998 Haupt .
- 3,762,084 10/1973 Jones .
- 4,756,109 7/1988 Marcus .
- 4,904,220 2/1990 Williams et al. .

\* cited by examiner

*Primary Examiner*—Dominic Simone

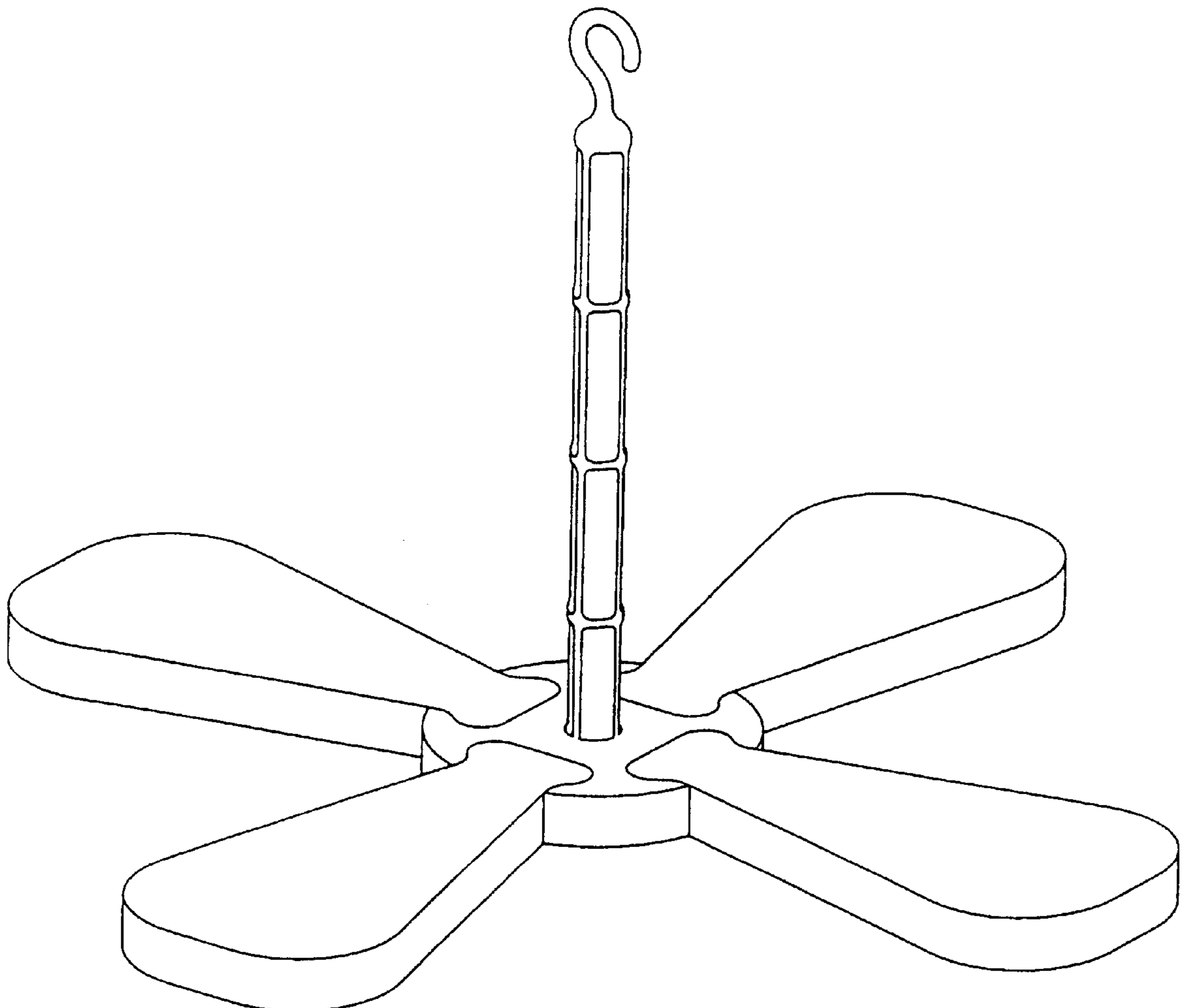
(57) **CLAIM**

The ornamental design for a infant mobile, as shown.

**DESCRIPTION**

FIG. 1 is a perspective view.  
 FIG. 2 is a side elevational view.  
 FIG. 3 is a top plan view; and,  
 FIG. 4 is a bottom plan view.

**1 Claim, 4 Drawing Sheets**



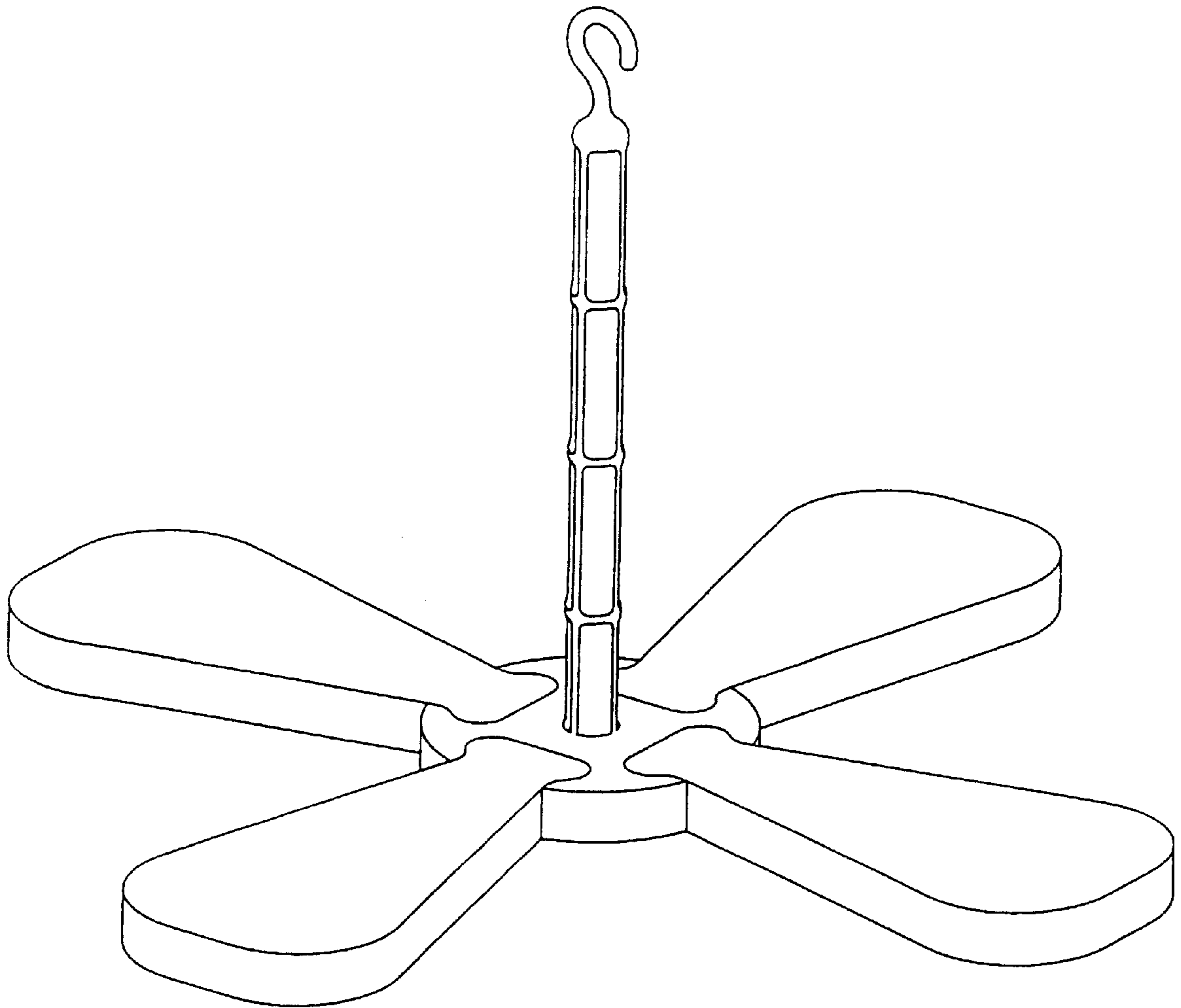


Figure 1

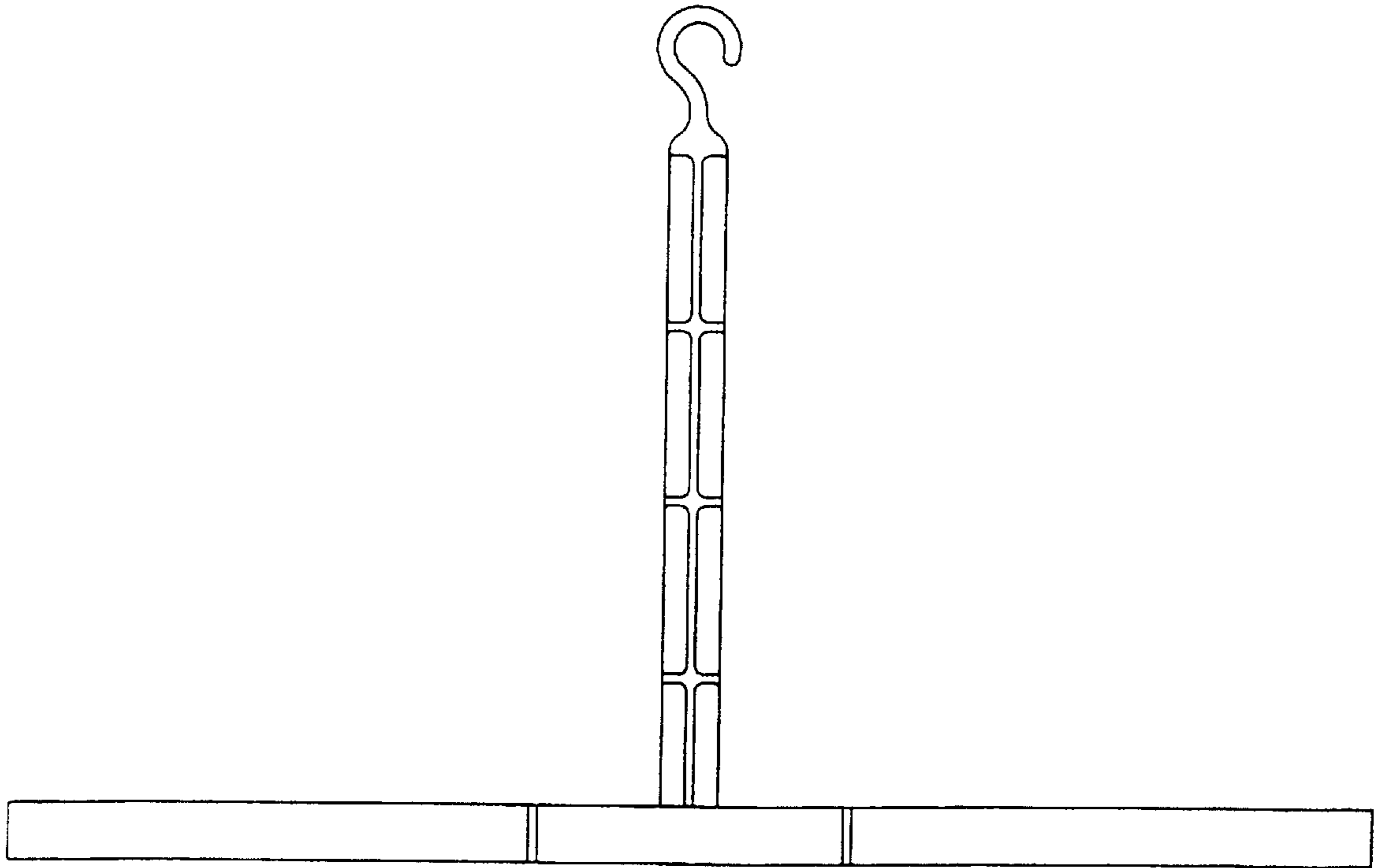


Figure 2

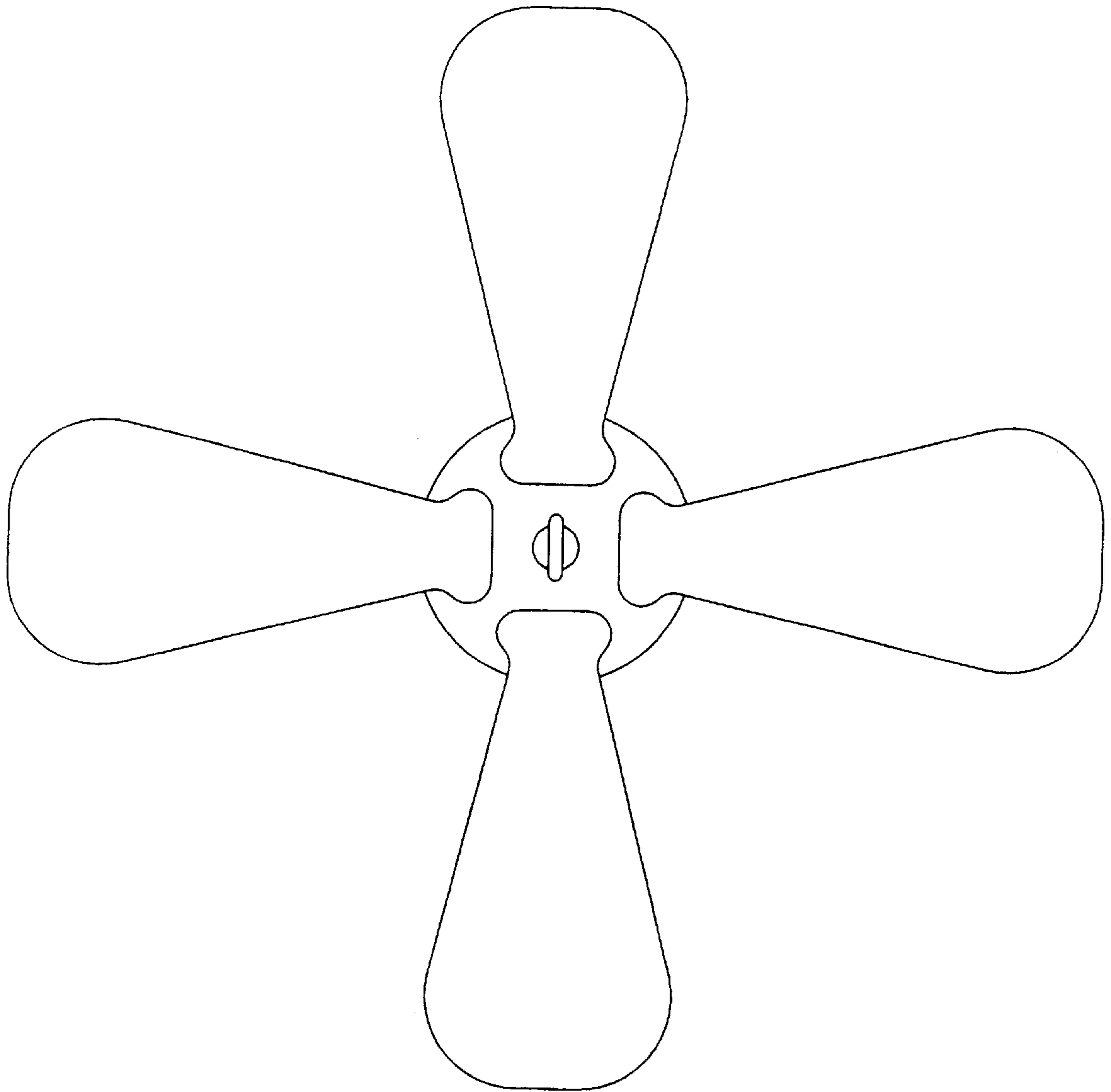


Figure 3

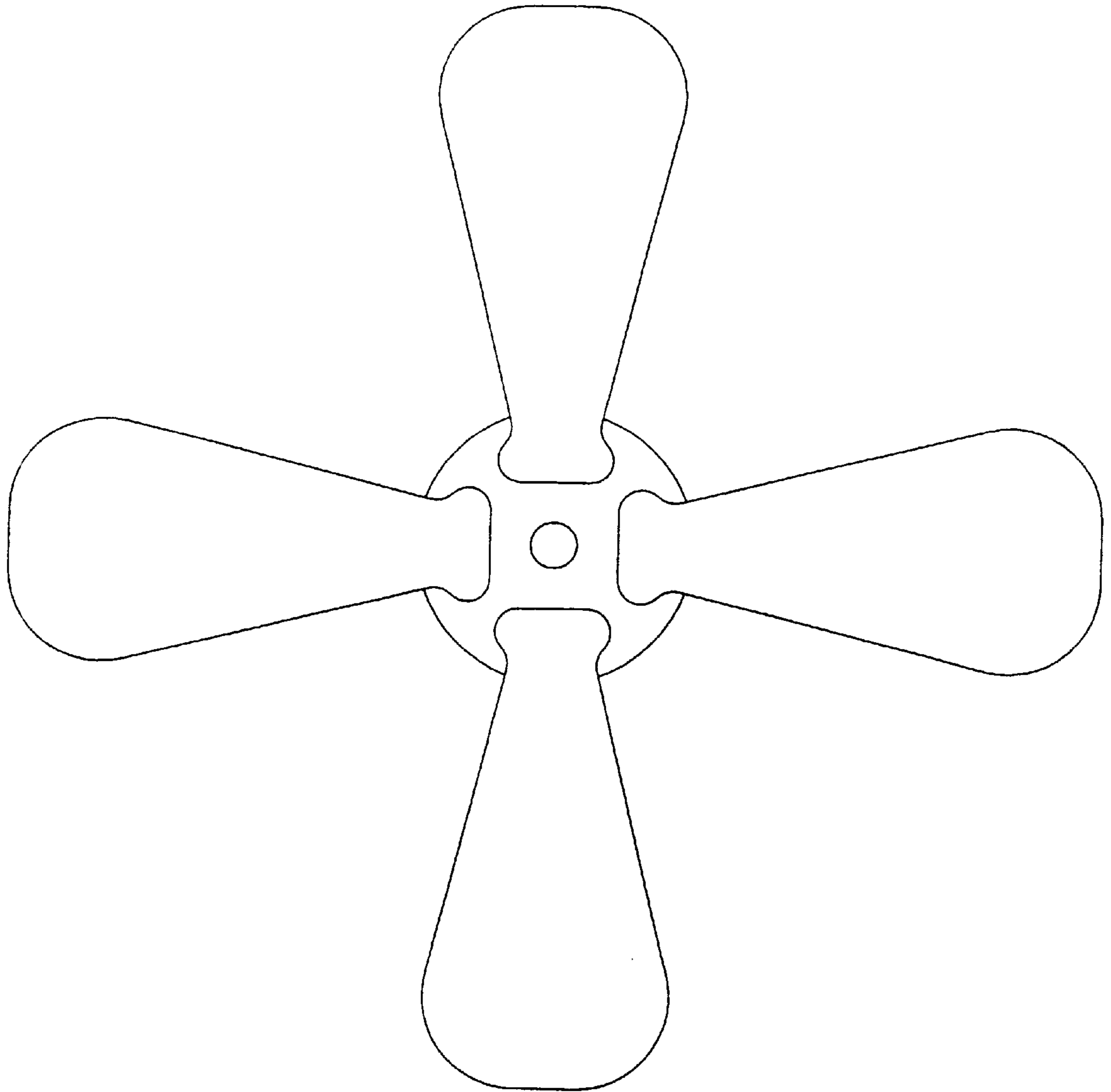


Figure 4