



US00D444512S

(12) **United States Design Patent**
Miralles et al.

(10) **Patent No.:** **US D444,512 S**
(45) **Date of Patent:** **** Jul. 3, 2001**

- (54) **FOLDABLE AIRCRAFT**
- (75) Inventors: **Carlos T. Miralles, Tujung; Bart D. Hibbs, Altadena, both of CA (US)**
- (73) Assignee: **AeroVironment Inc., Monrovia, CA (US)**
- (**) Term: **14 Years**
- (21) Appl. No.: **29/121,810**
- (22) Filed: **Apr. 13, 2000**
- (51) **LOC (7) Cl.** **21-01**
- (52) **U.S. Cl.** **D21/447**
- (58) **Field of Search** D21/436, 447-449;
446/34, 61-68

- 1,818,426 * 8/1931 Norcross 446/61
- 4,354,646 10/1982 Raymer .
- 4,568,043 2/1986 Schmittle .
- 4,781,341 11/1988 Kasper .
- 5,078,338 1/1992 O'Neill et al. .

* cited by examiner

Primary Examiner—Dominic Simone

(74) *Attorney, Agent, or Firm*—The Law Office of John A. Griecci

(57) **CLAIM**

I claim the ornamental design for a foldable aircraft, as shown and described.

DESCRIPTION

FIG. 1 is a top plan view of a foldable aircraft embodying the new design.

FIG. 2 is a rear elevational view of FIG. 1.

FIG. 3 is a front elevational view of FIG. 1.

FIG. 4 is a right side elevational view of FIG. 1.

FIG. 5 is a left side elevational view of FIG. 1; and,

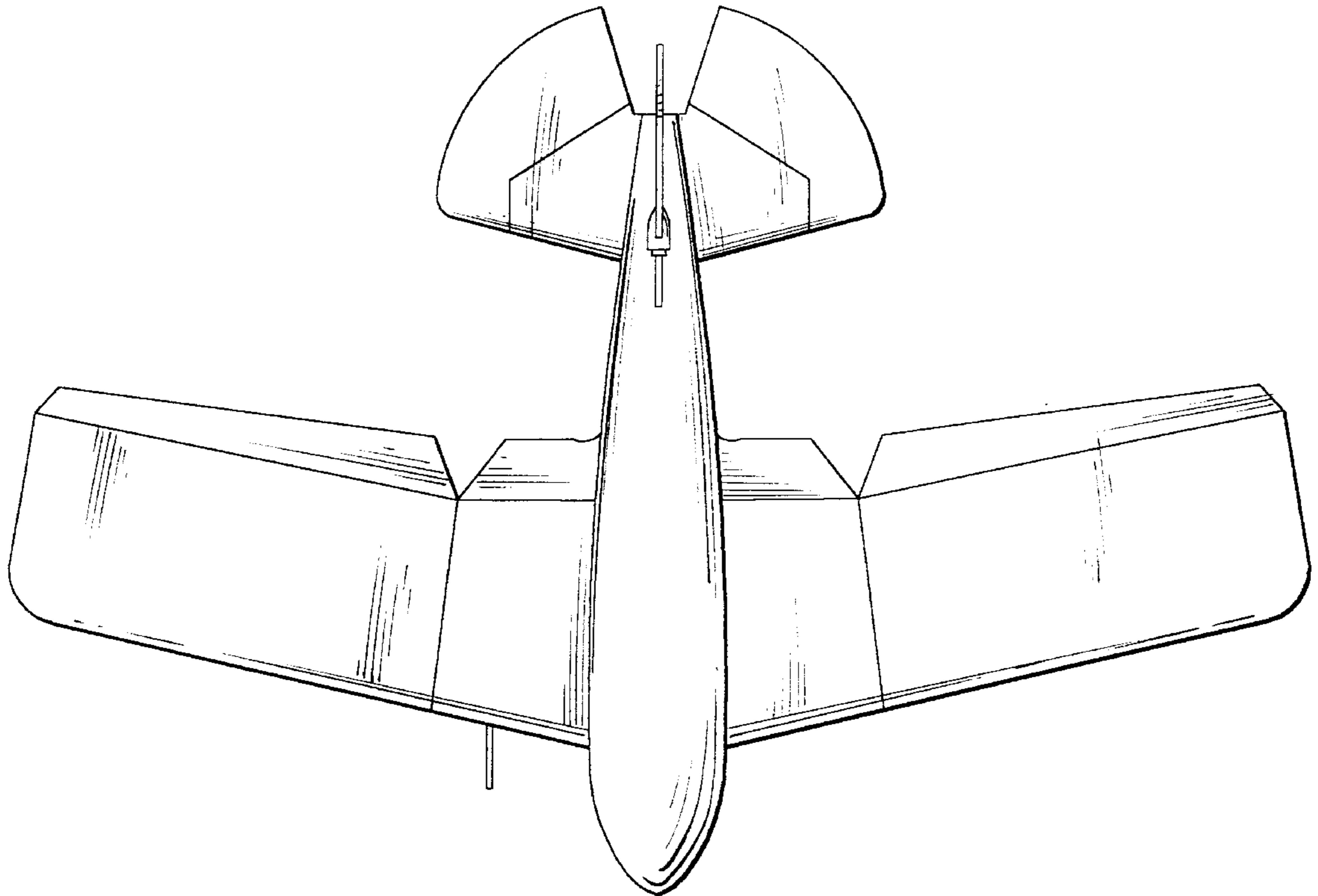
FIG. 6 is a bottom plan view of FIG. 1.

(56) **References Cited**

U.S. PATENT DOCUMENTS

- D. 53,902 * 10/1919 Grant D21/447
- D. 183,657 * 10/1958 Johnson D21/448 X
- D. 199,358 * 10/1964 Ritter D21/448
- D. 302,029 * 7/1989 Ninomiya D21/449

1 Claim, 4 Drawing Sheets



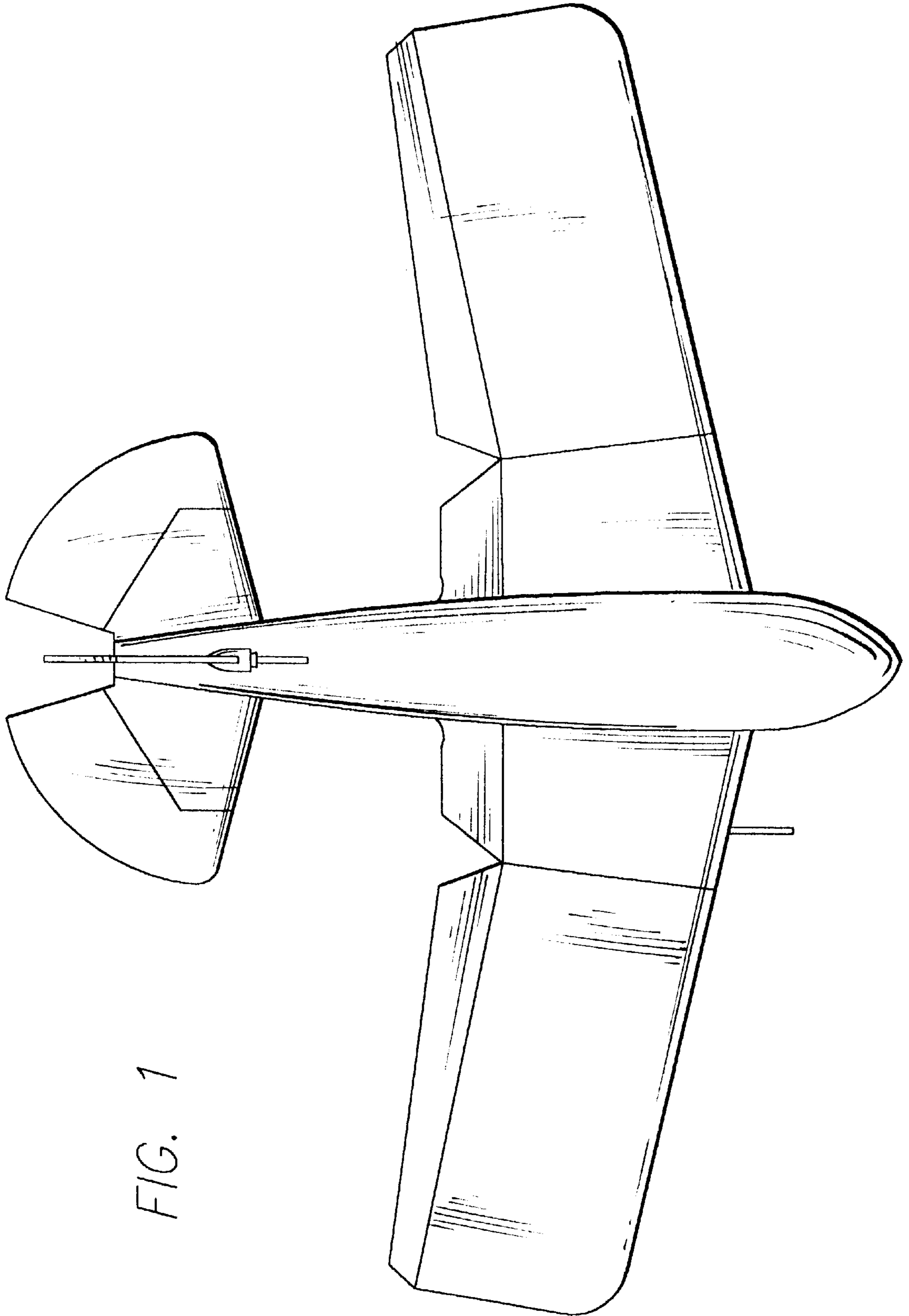


FIG. 1

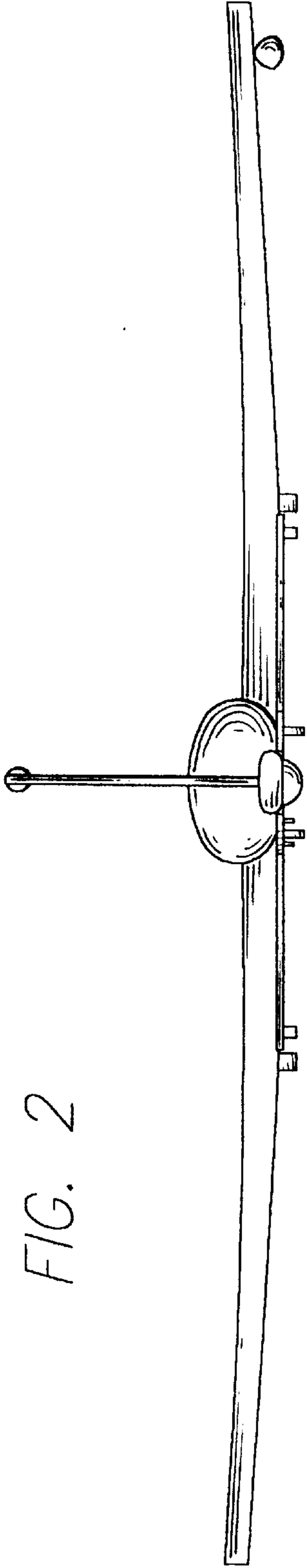


FIG. 2

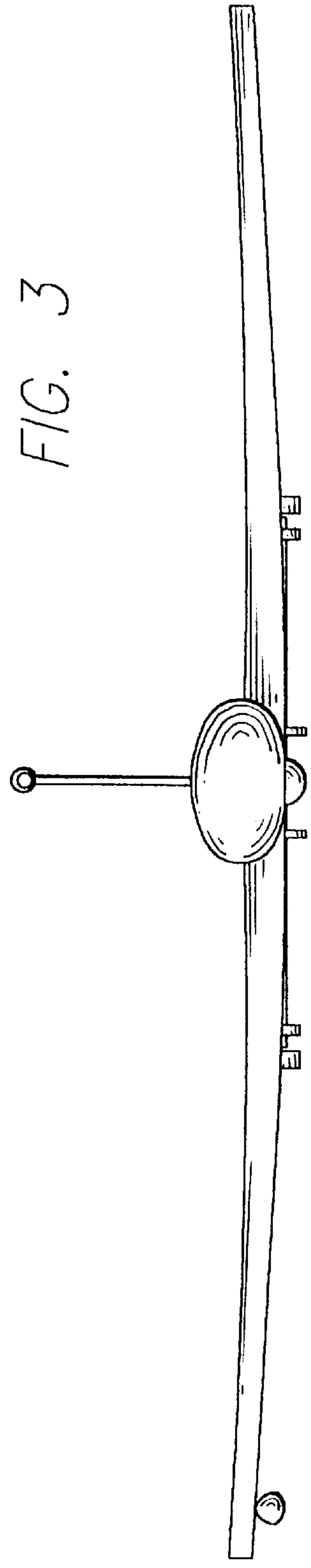


FIG. 3

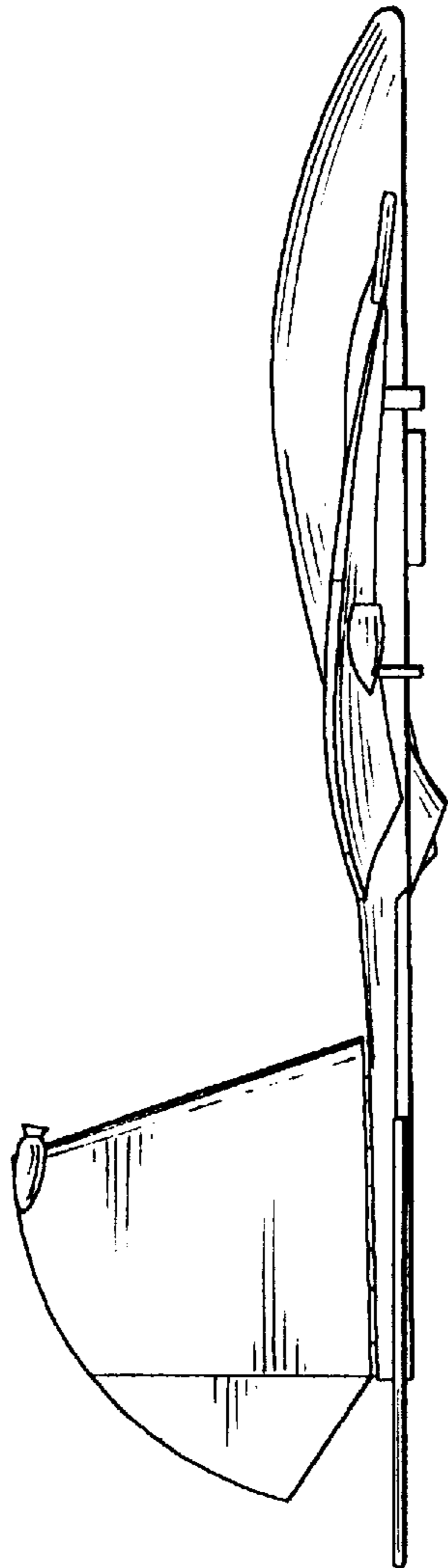


FIG. 4

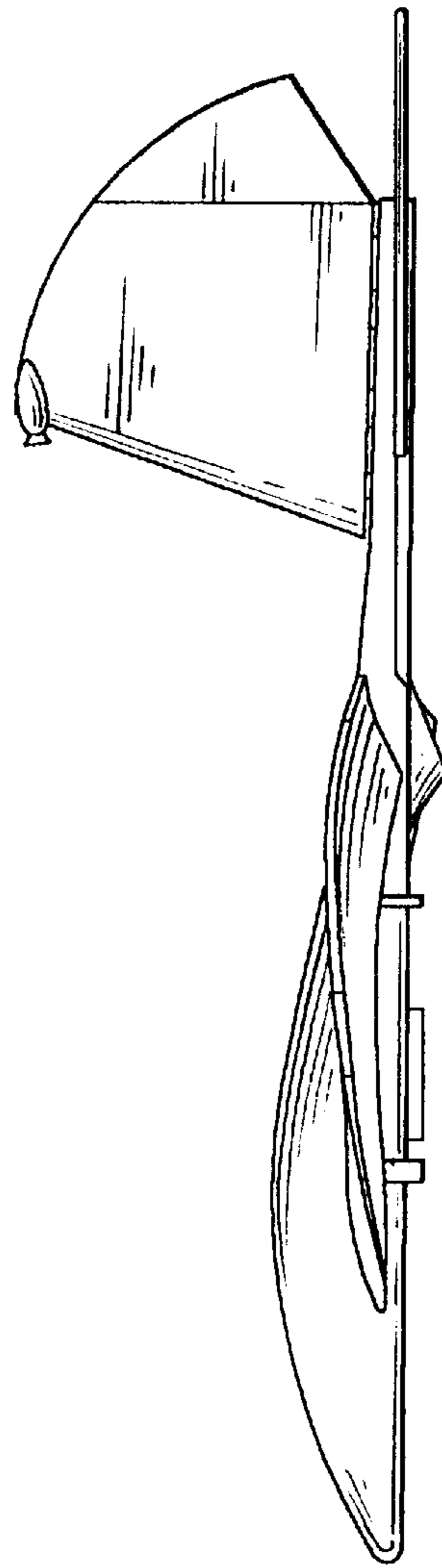


FIG. 5

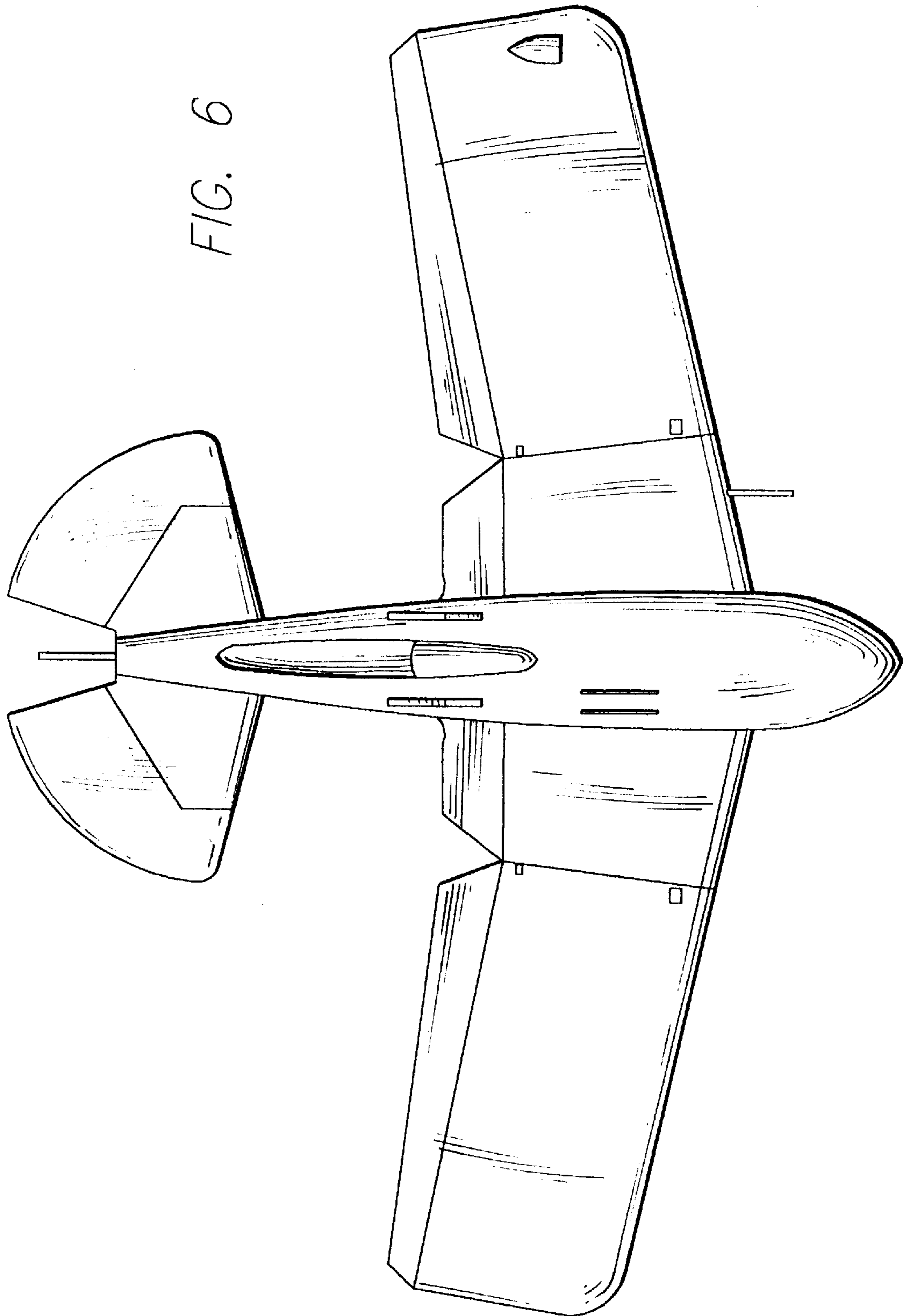


FIG. 6