



US00D444509S

(12) **United States Design Patent**
Vigneron

(10) **Patent No.:** **US D444,509 S**

(45) **Date of Patent:** **** Jul. 3, 2001**

(54) **MODULAR GAME PIECE**

D. 350,374 * 9/1994 Comeau D21/392

(75) Inventor: **Bertrand Vigneron**, Cholet (FR)

* cited by examiner

(73) Assignee: **Wesco**, Cerizay (FR)

Primary Examiner—Sandra L. Morris

(**) Term: **14 Years**

(74) *Attorney, Agent, or Firm*—Nixon & Vanderhye PC;
Frank P. Presta

(21) Appl. No.: **29/119,278**

(57) **CLAIM**

(22) Filed: **Feb. 29, 2000**

The ornamental design for a modular game piece, as shown and described.

(30) **Foreign Application Priority Data**

DESCRIPTION

Jan. 3, 2000 (XH) DM/050 286

(51) **LOC (7) Cl.** **21-01**

(52) **U.S. Cl.** **D21/386**

(58) **Field of Search** D21/334–368,
D21/385, 386, 388–391, 392, 396; 273/236–285,
288–291

FIG. 1 is a perspective view of the modular game piece of the present invention;

FIG. 2 is a top plan view of the modular game piece;

FIG. 3 is an elevational view of one side of the modular game piece, the other side being identical thereto;

FIG. 4 is an elevational view of one end of the modular game piece, the other end being identical thereto; and,

FIG. 5 is a bottom plan view of the modular game piece.

(56) **References Cited**

U.S. PATENT DOCUMENTS

D. 273,961 * 5/1984 Bassey D21/392

1 Claim, 3 Drawing Sheets

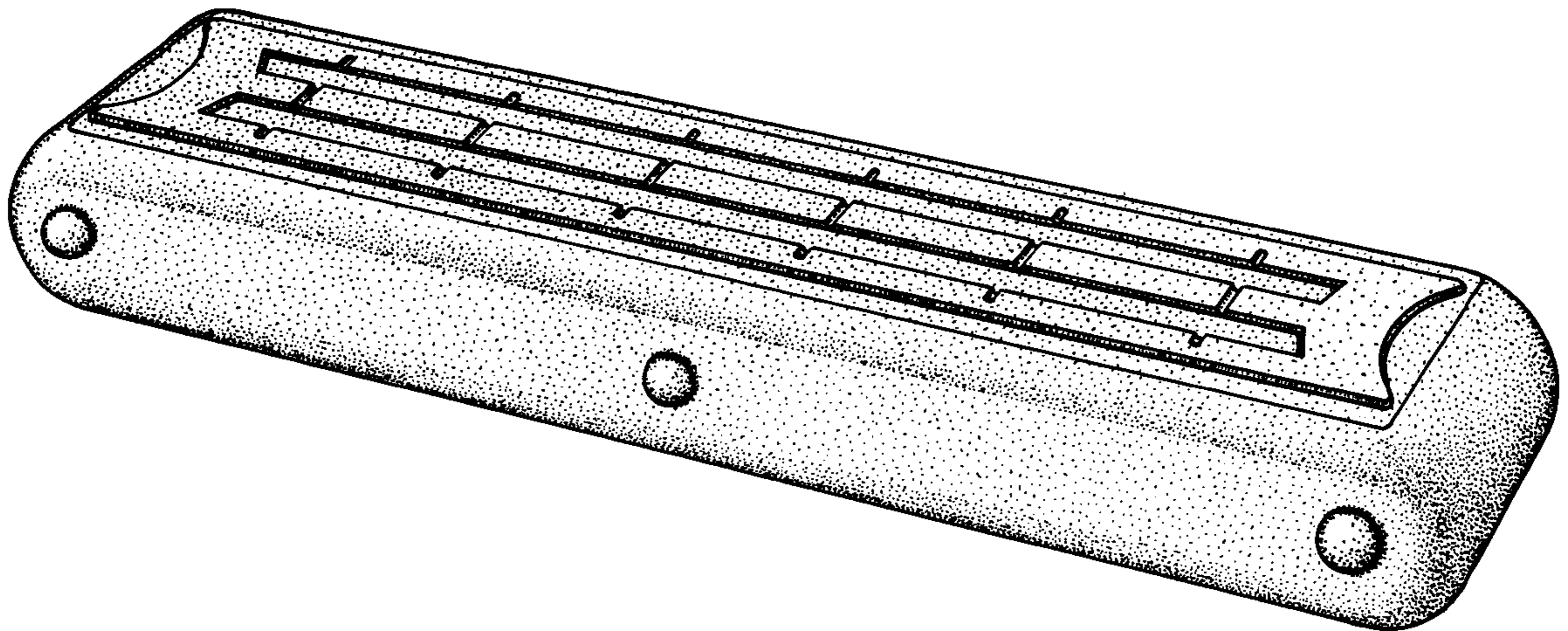


FIG. 1

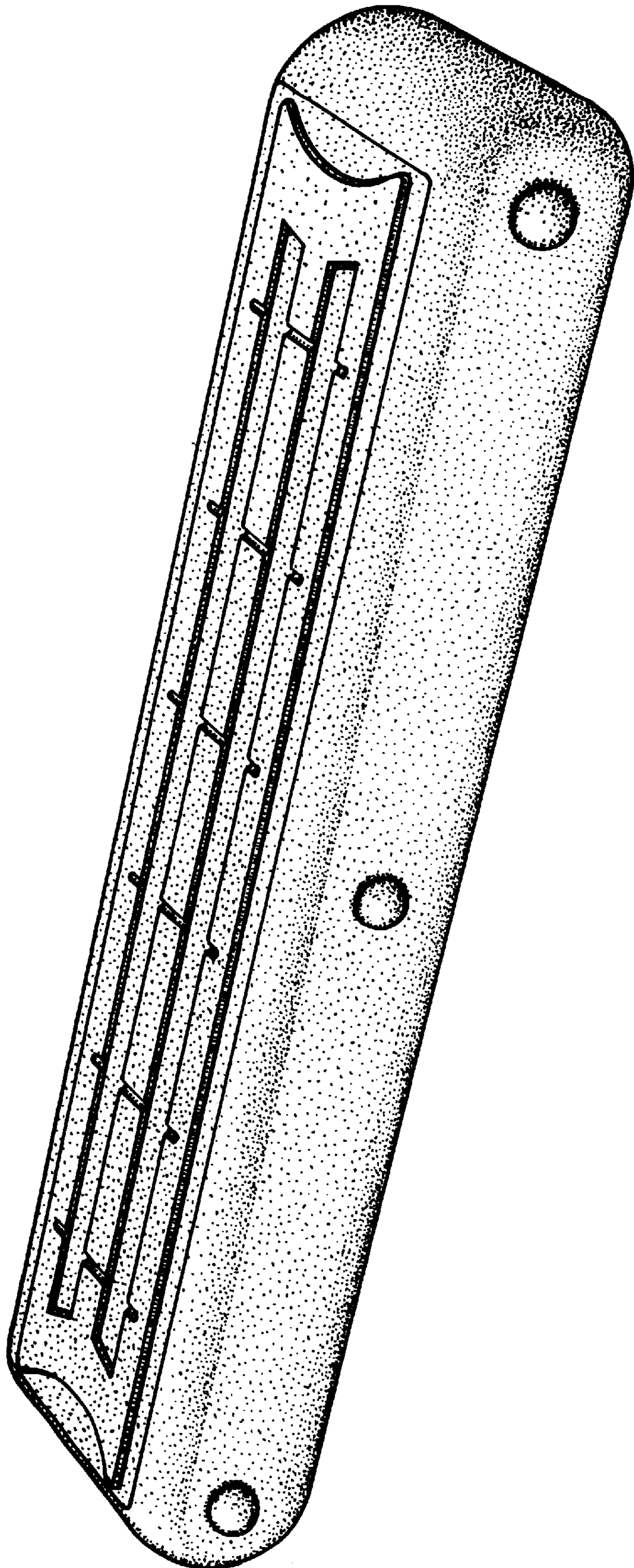


FIG. 2

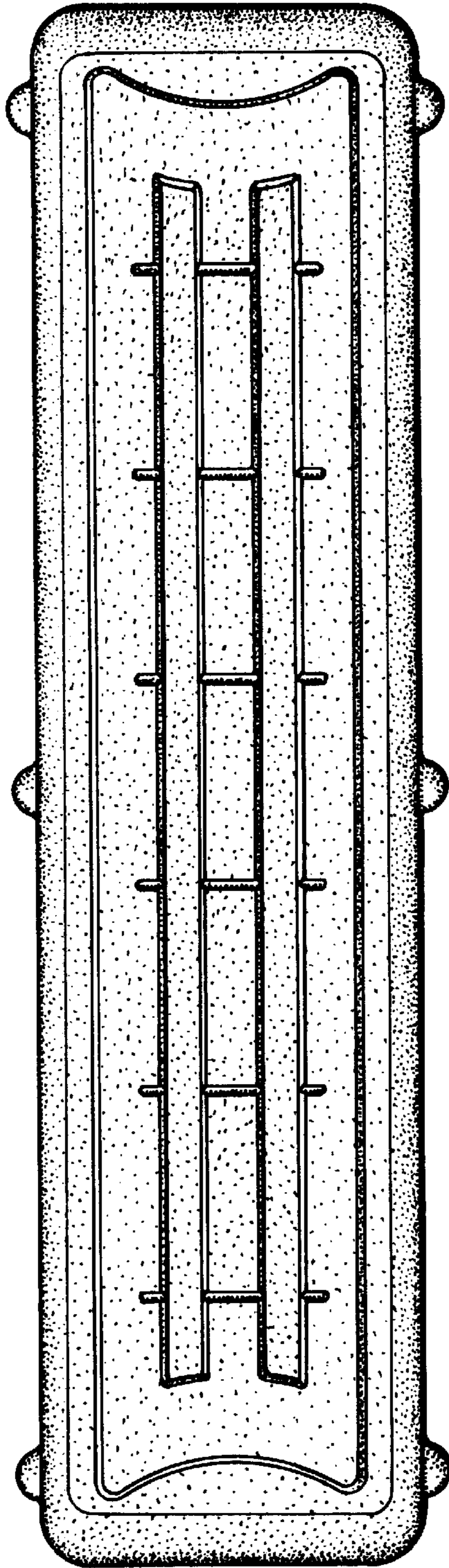


FIG. 3

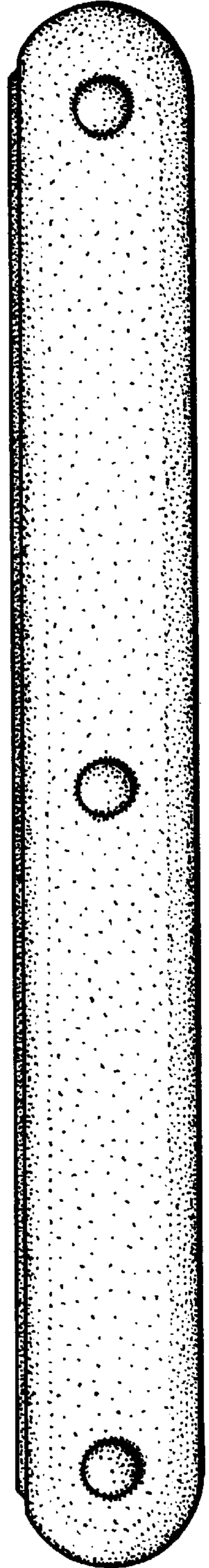


FIG. 4

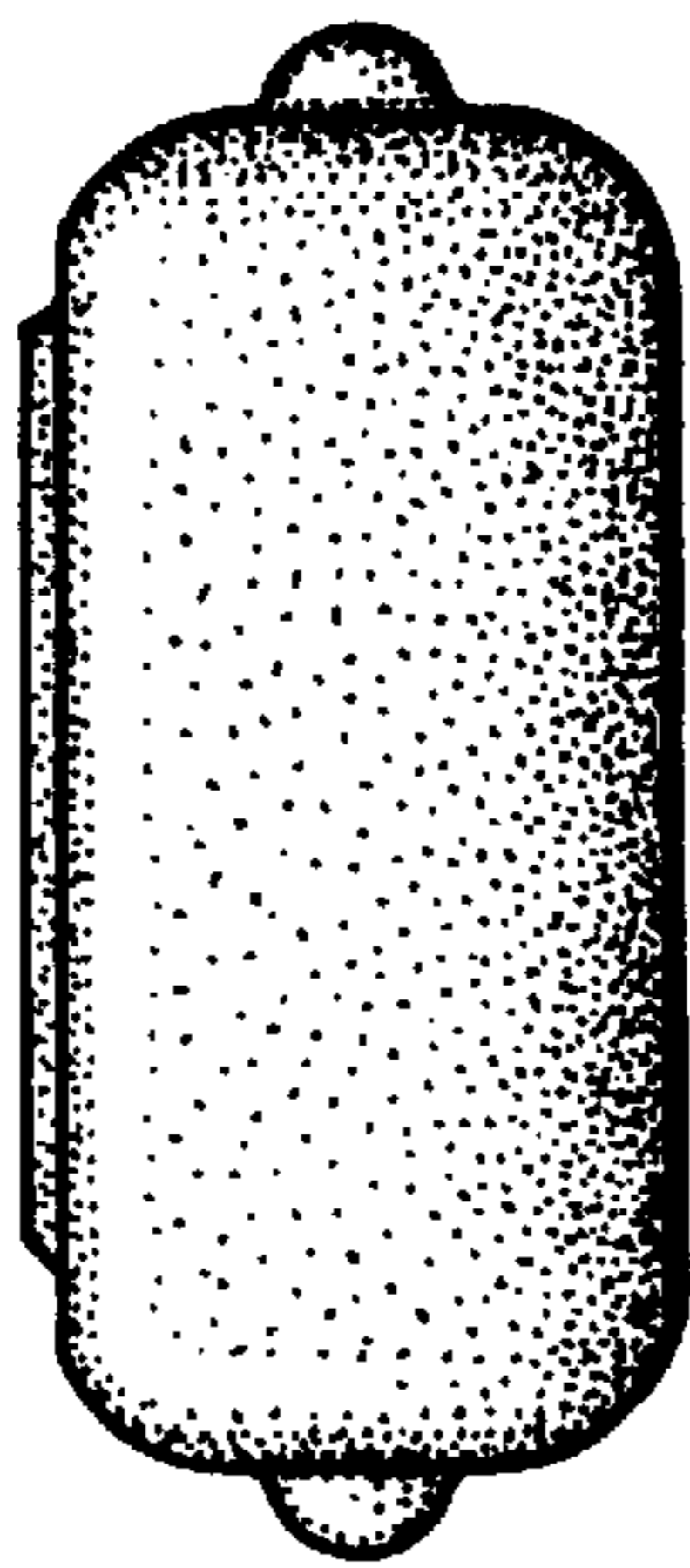


FIG. 5

