



US00D444507S

(12) **United States Design Patent**
Lundberg

(10) **Patent No.:** **US D444,507 S**

(45) **Date of Patent:** **** Jul. 3, 2001**

(54) MULTI-LEVEL GAME BOARD	5,085,440	2/1992	Van Dam	273/241
	5,193,813	3/1993	Goff	273/241
(76) Inventor: James R. Lundberg , 4646 Bonita Rd., Bonita, CA (US) 91902	5,409,234	4/1995	Bechter	273/241

OTHER PUBLICATIONS

October 1987 Playthings. p. 91, Tri Chek game board.*

* cited by examiner

Primary Examiner—Sandra L. Morris

(74) *Attorney, Agent, or Firm*—Brown, Martin, Haller & McClain LLP

(**) Term: **14 Years**

(21) Appl. No.: **29/125,709**

(22) Filed: **Jun. 28, 2000**

(51) **LOC (7) Cl.** **21-01**

(52) **U.S. Cl.** **D21/337**

(58) **Field of Search** D21/334–368;
273/236–285

CLAIM

The ornamental design for a multi-level game board, as shown.

(56) **References Cited**

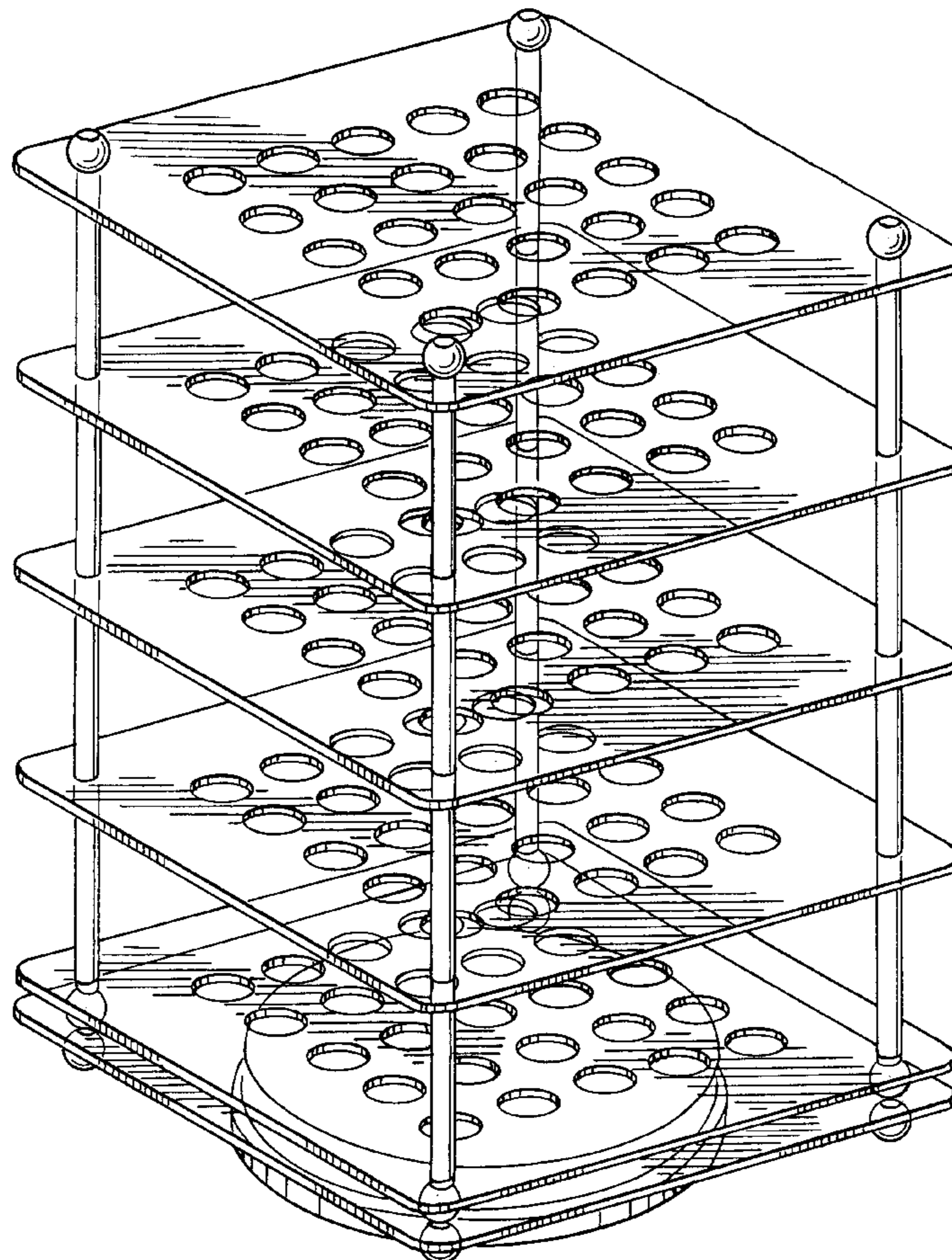
U.S. PATENT DOCUMENTS

D. 348,488	*	7/1994	Overman	D21/336
D. 355,447	*	2/1995	Crump	D21/336
D. 387,390		12/1997	Seiler	D21/23
D. 420,057	*	2/2000	Colombo	D21/337
3,879,040		4/1975	Smith	273/130
3,884,474		5/1975	Harper	273/130
4,204,685		5/1980	Jones	273/241
4,348,027		9/1982	Escamilla-Kelly	273/241
4,861,040		8/1989	Peterson	273/241
4,883,278		11/1989	Scott	273/241

DESCRIPTION

FIG. 1 is a perspective view from below of a multi-level game board showing my new design;
 FIG. 2 is a side elevational view thereof, all sides being similar;
 FIG. 3 is a top plan view thereof;
 FIG. 4 is a bottom plan view thereof; and,
 FIG. 5 is a side elevational view of a second embodiment thereof, with a base container added.

1 Claim, 4 Drawing Sheets



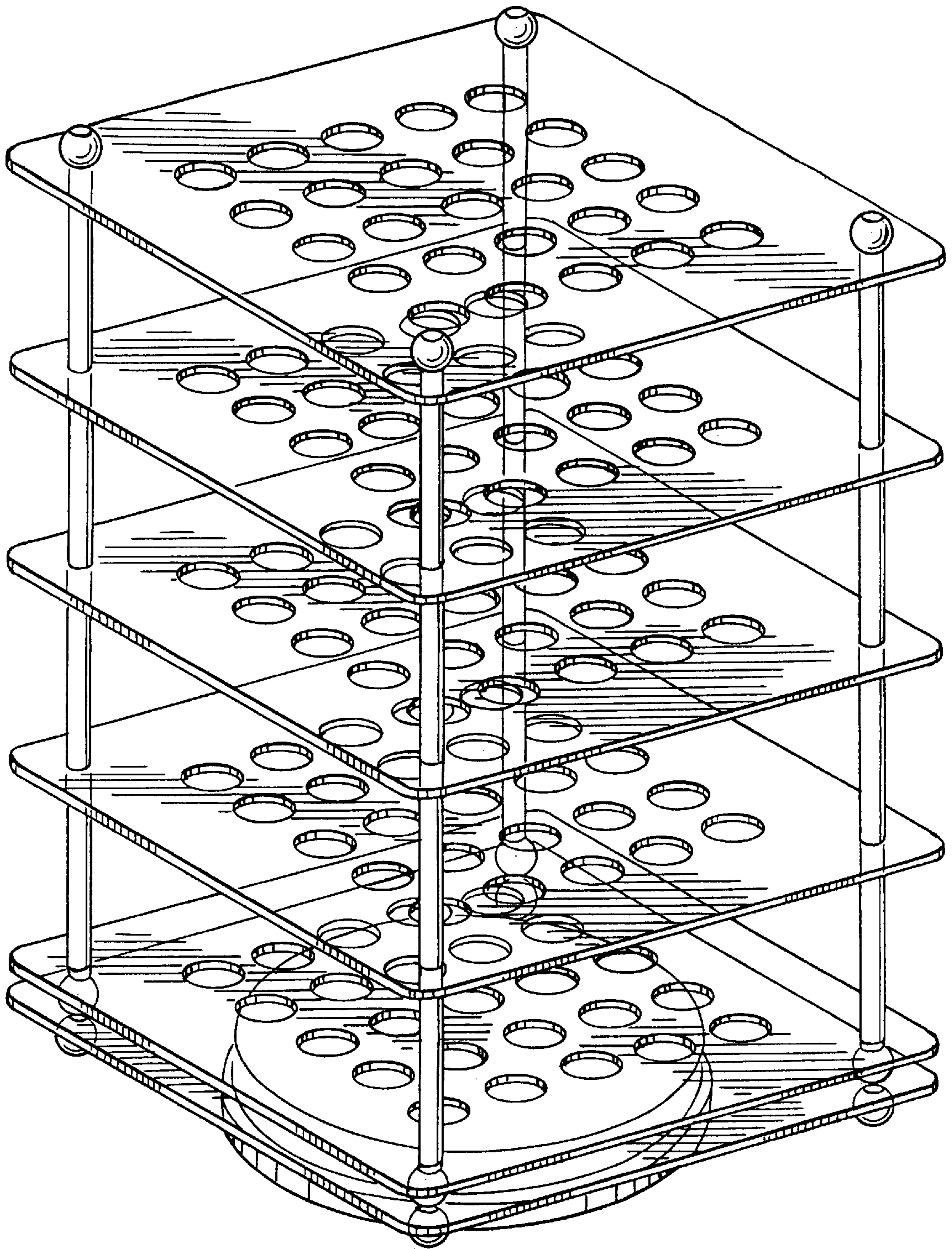


FIG. 1

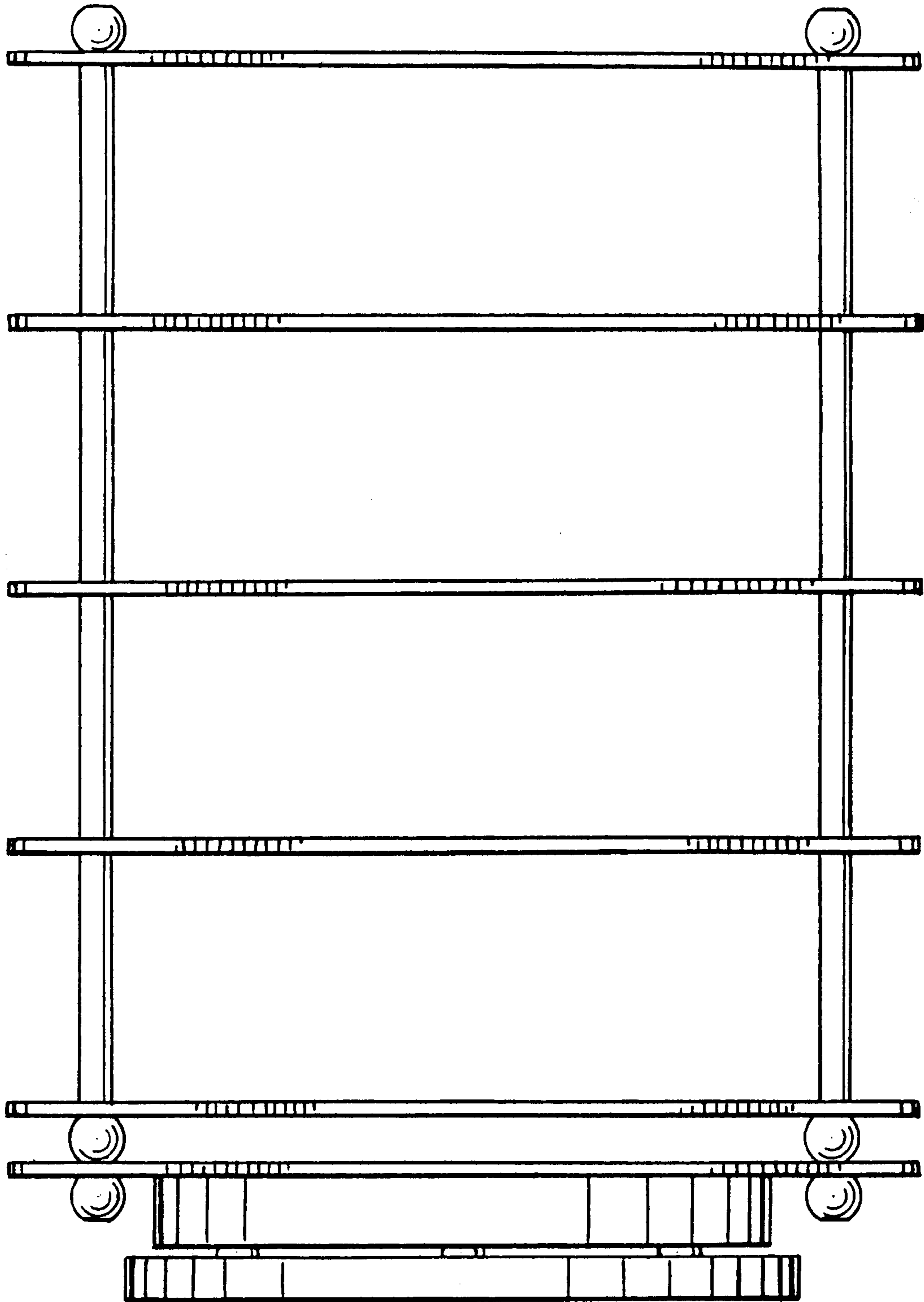


FIG. 2

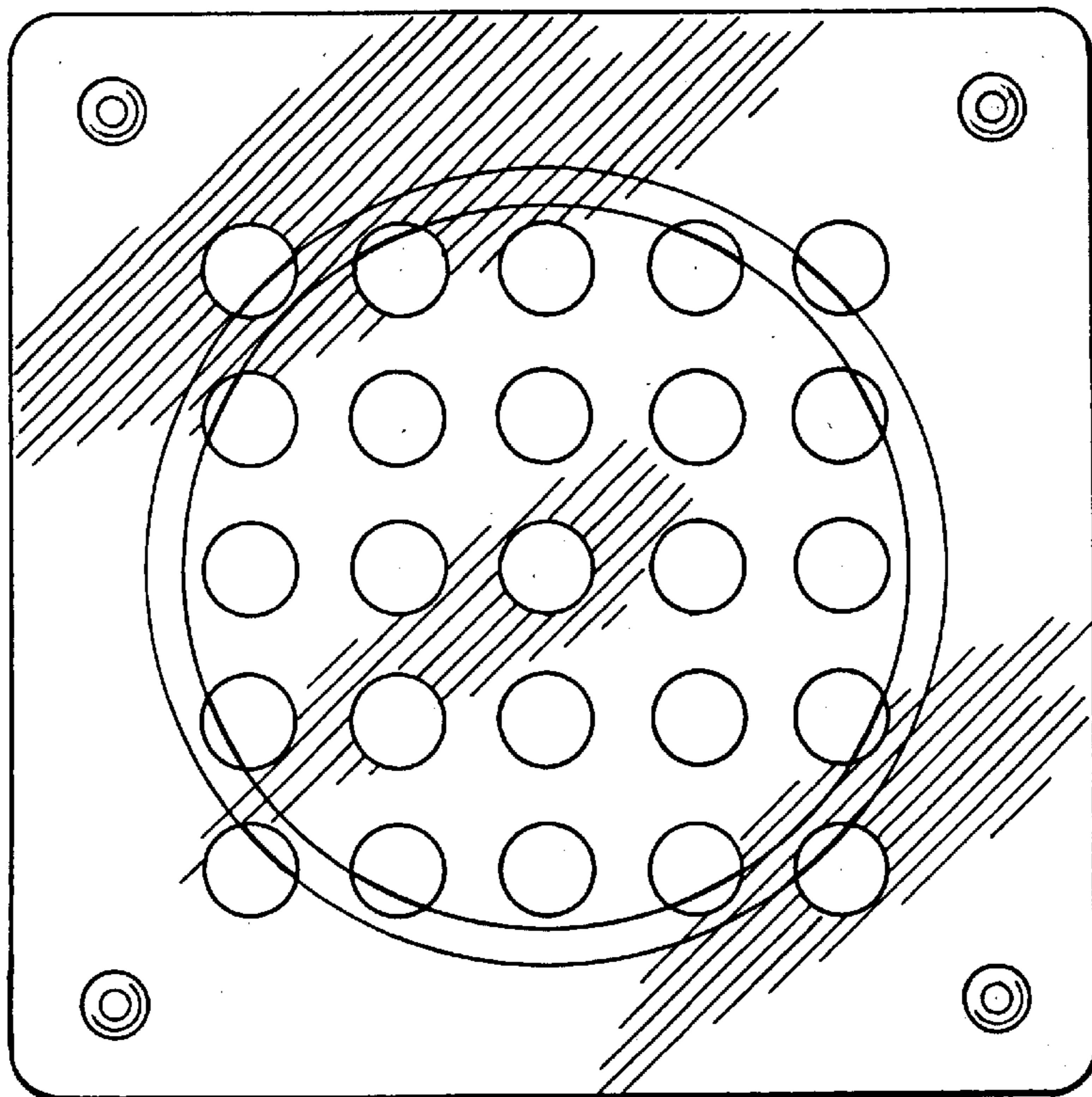


FIG. 3

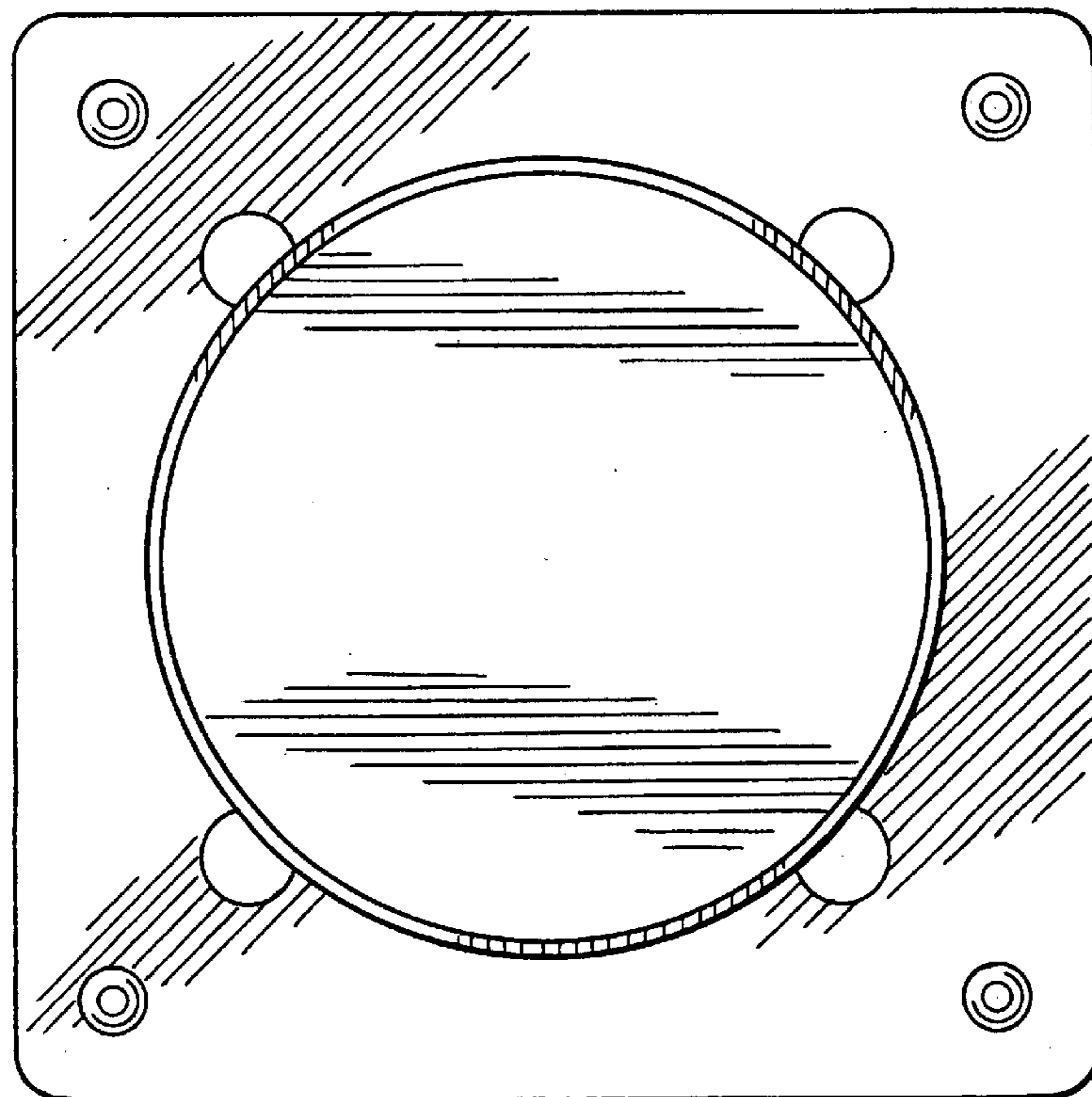


FIG. 4

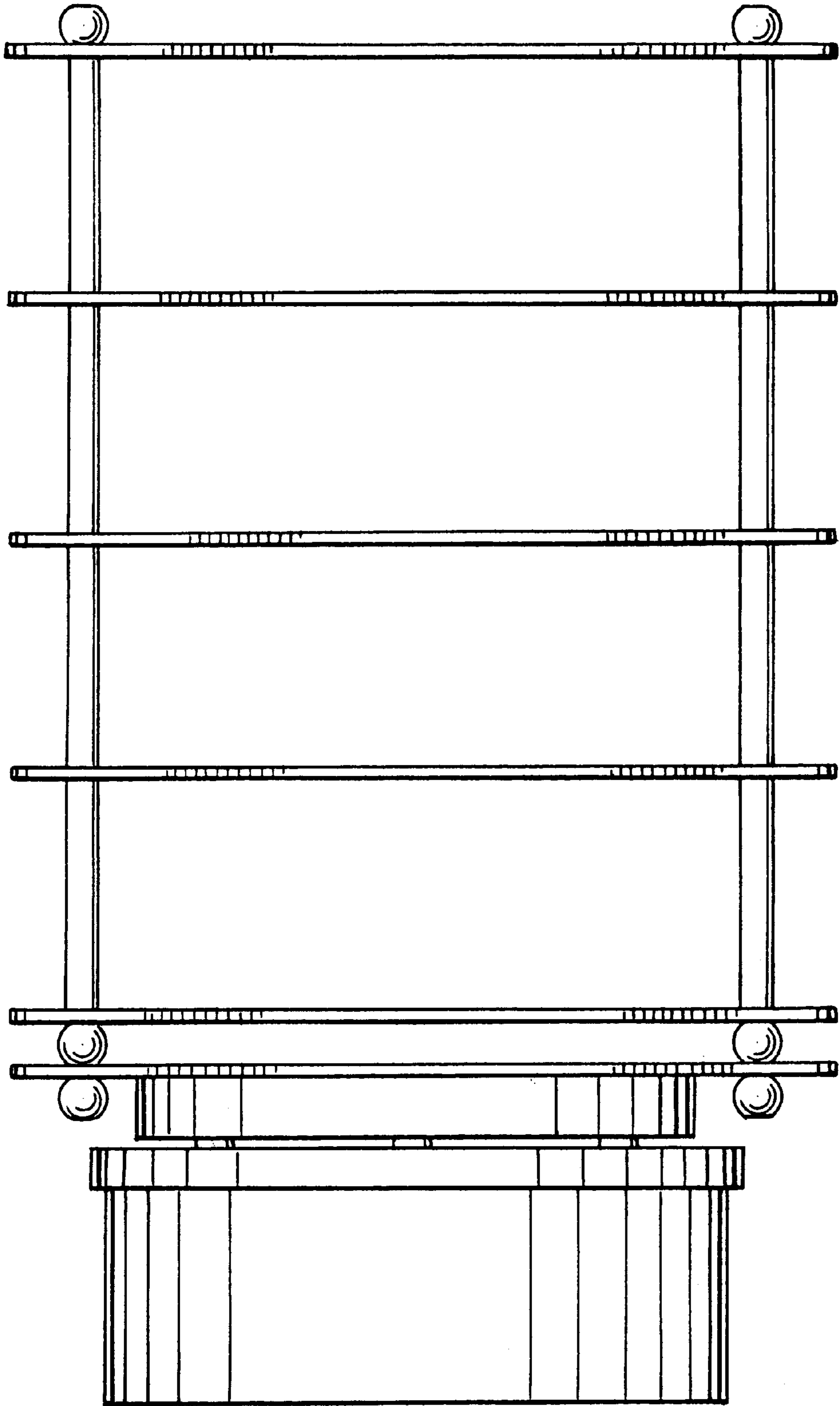


FIG. 5