



US00D444506S

(12) **United States Design Patent**  
**Isetani et al.**

(10) **Patent No.:** **US D444,506 S**

(45) **Date of Patent:** **\*\* Jul. 3, 2001**

(54) **DISPLAY APPARATUS FOR USE IN A SIMULATION GAME SYSTEM**

(75) Inventors: **Yoshitsugu Isetani; Yuji Tamura; Koichi Nishio**, all of Kobe (JP)

(73) Assignee: **Konami Co., Ltd.**, Hyogo-ken (JP)

(\*\*) Term: **14 Years**

(21) Appl. No.: **29/084,064**

(22) Filed: **Feb. 24, 1998**

(30) **Foreign Application Priority Data**

Aug. 29, 1997 (JP) ..... 9-66193

(51) **LOC (7) Cl.** ..... **21-01**

(52) **U.S. Cl.** ..... **D21/325**

(58) **Field of Search** ..... D21/324-327, D21/811; 463/1-4, 30-35, 46, 47, 50, 51, 58; 273/148 B, 440, 440.1, 459, 460, 461

(56) **References Cited**

**U.S. PATENT DOCUMENTS**

- D. 391,304 \* 2/1998 Stringfellow ..... D21/325
- D. 419,606 \* 1/2000 Toriyama ..... D21/325

- D. 421,774 \* 3/2000 Toriyama ..... D21/325
- 4,440,457 \* 4/1984 Fogelman et al. .... 463/46
- 5,413,357 \* 5/1995 Schulze et al. .... 463/46 X

\* cited by examiner

*Primary Examiner*—Prabhakar Deshmukh

(74) *Attorney, Agent, or Firm*—Jordan and Hamburg LLP

(57) **CLAIM**

The ornamental design for a display apparatus for use in a simulation game system, as shown and described.

**DESCRIPTION**

FIG. 1 is a perspective view of a display apparatus for use in a simulation game system;  
 FIG. 2 is a front view of the display apparatus;  
 FIG. 3 is a rear view of the display apparatus;  
 FIG. 4 is a left side view of the display apparatus;  
 FIG. 5 is a right side view of the display apparatus;  
 FIG. 6 is a top view of the display apparatus;  
 FIG. 7 is a bottom view of the display apparatus;  
 FIG. 8 is a sectional view taken along the line 8—8 in FIG. 2; and,  
 FIG. 9 is a sectional view taken along the line 9—9 in FIG. 2.

**1 Claim, 9 Drawing Sheets**

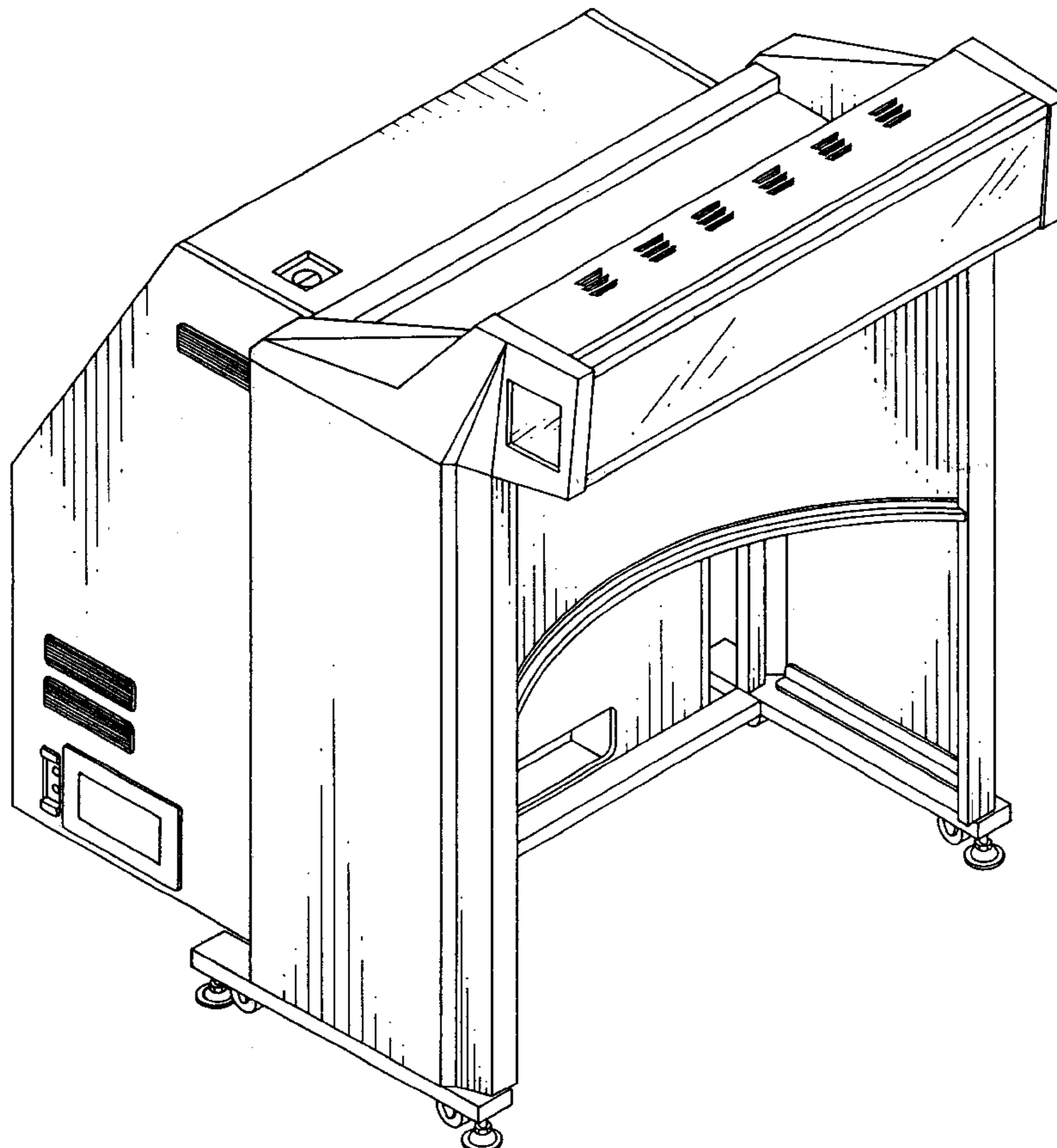


FIG. 1

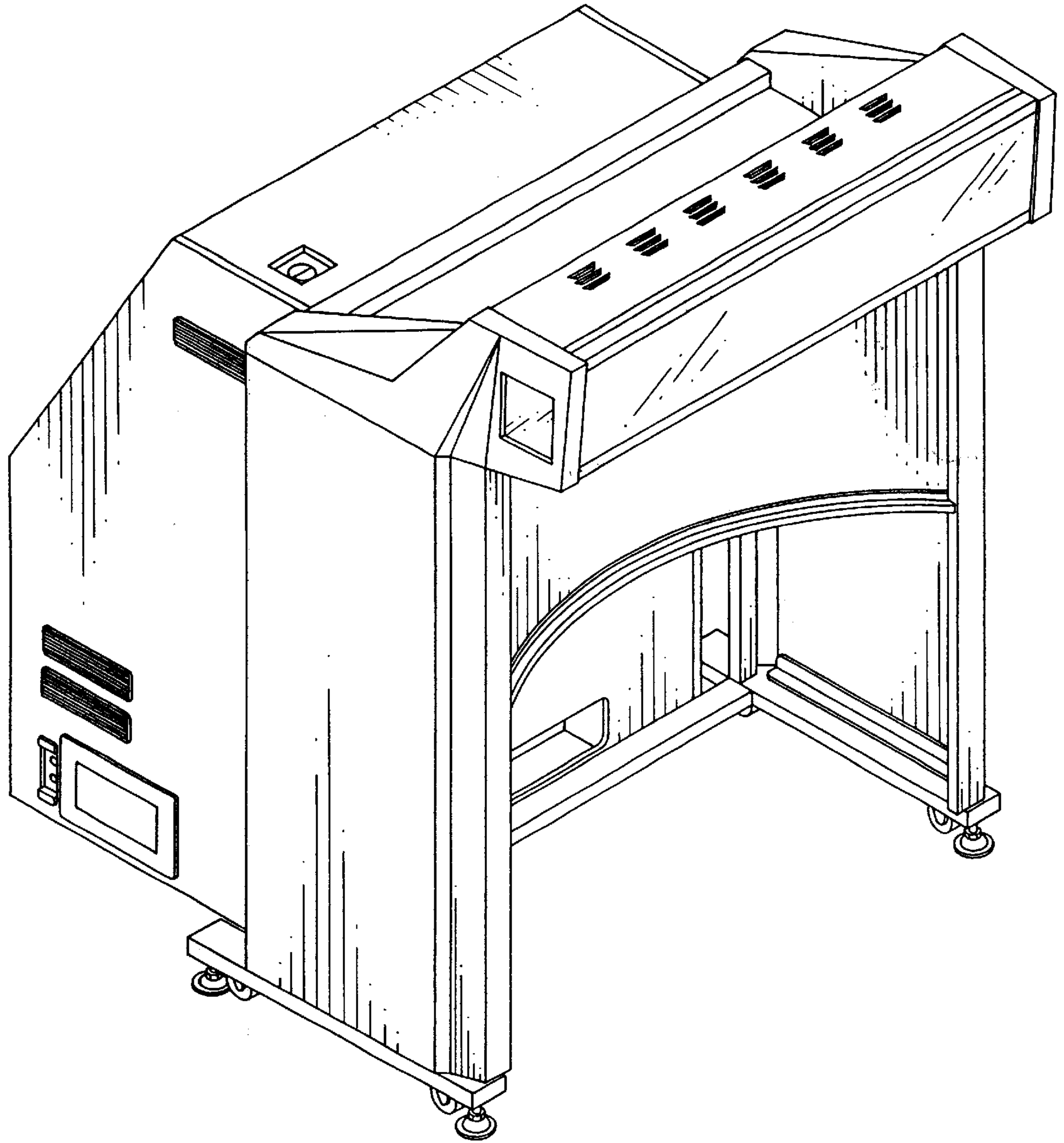


FIG. 2

→ 8

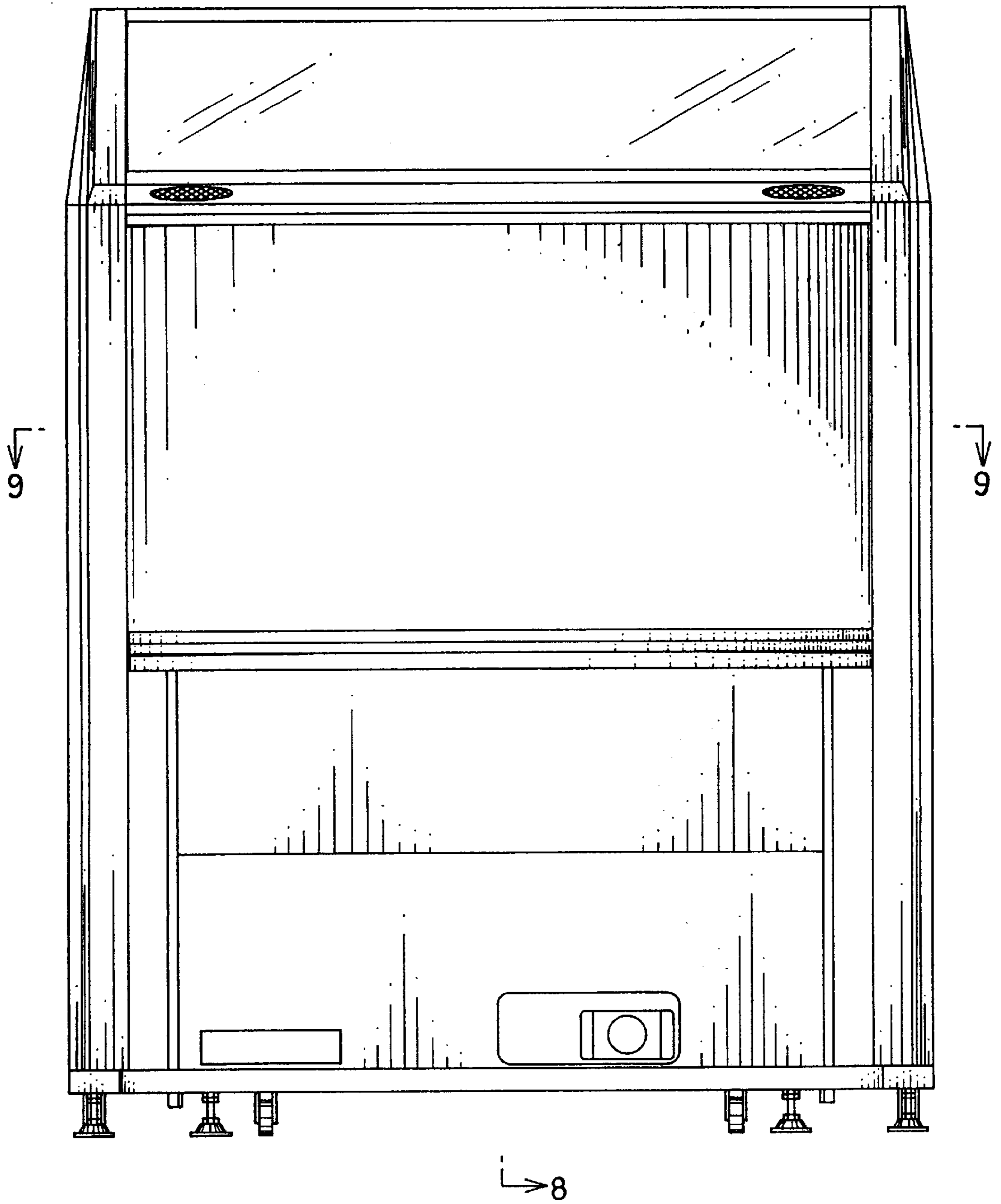


FIG. 3

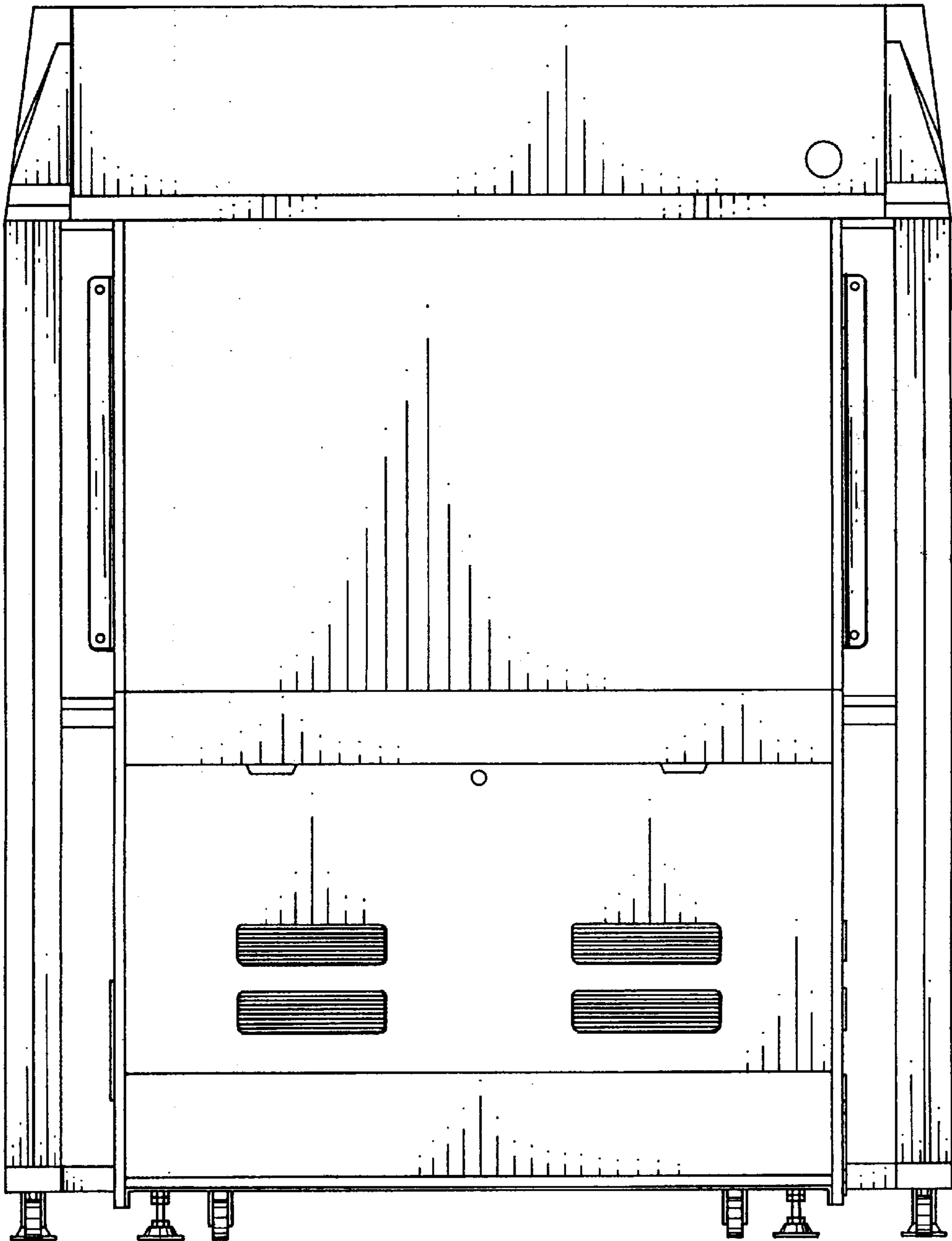


FIG. 4

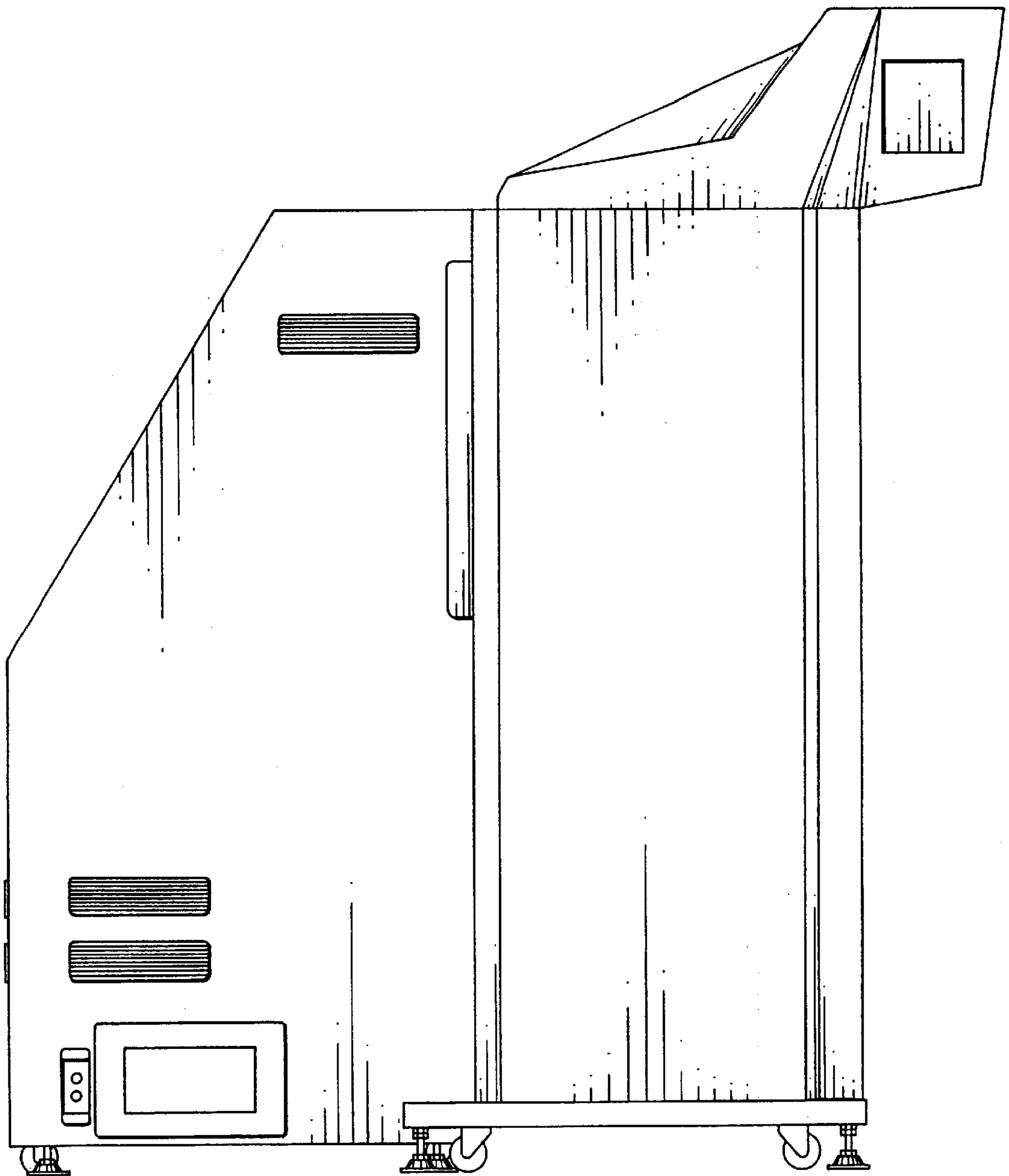


FIG. 5

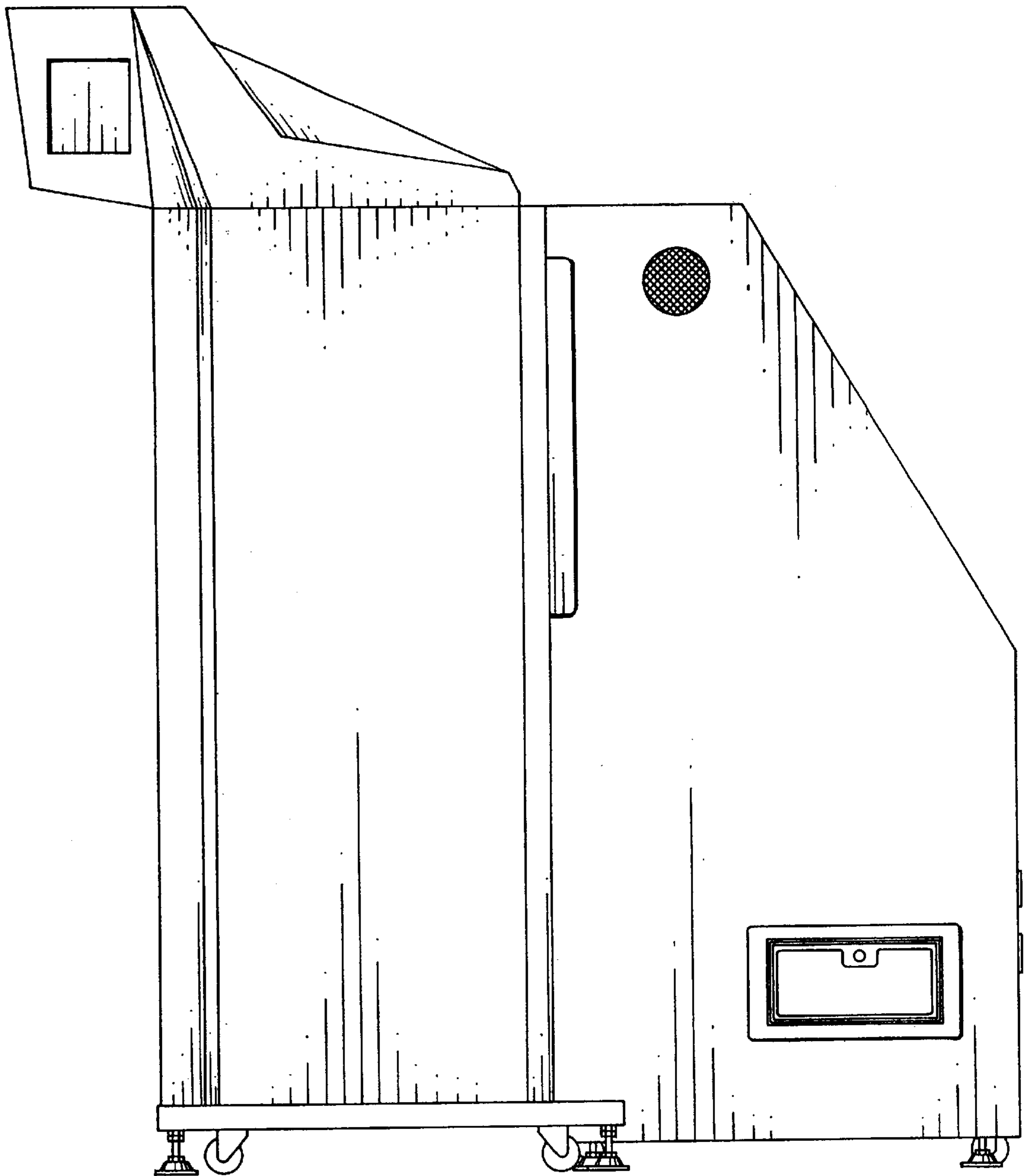


FIG. 6

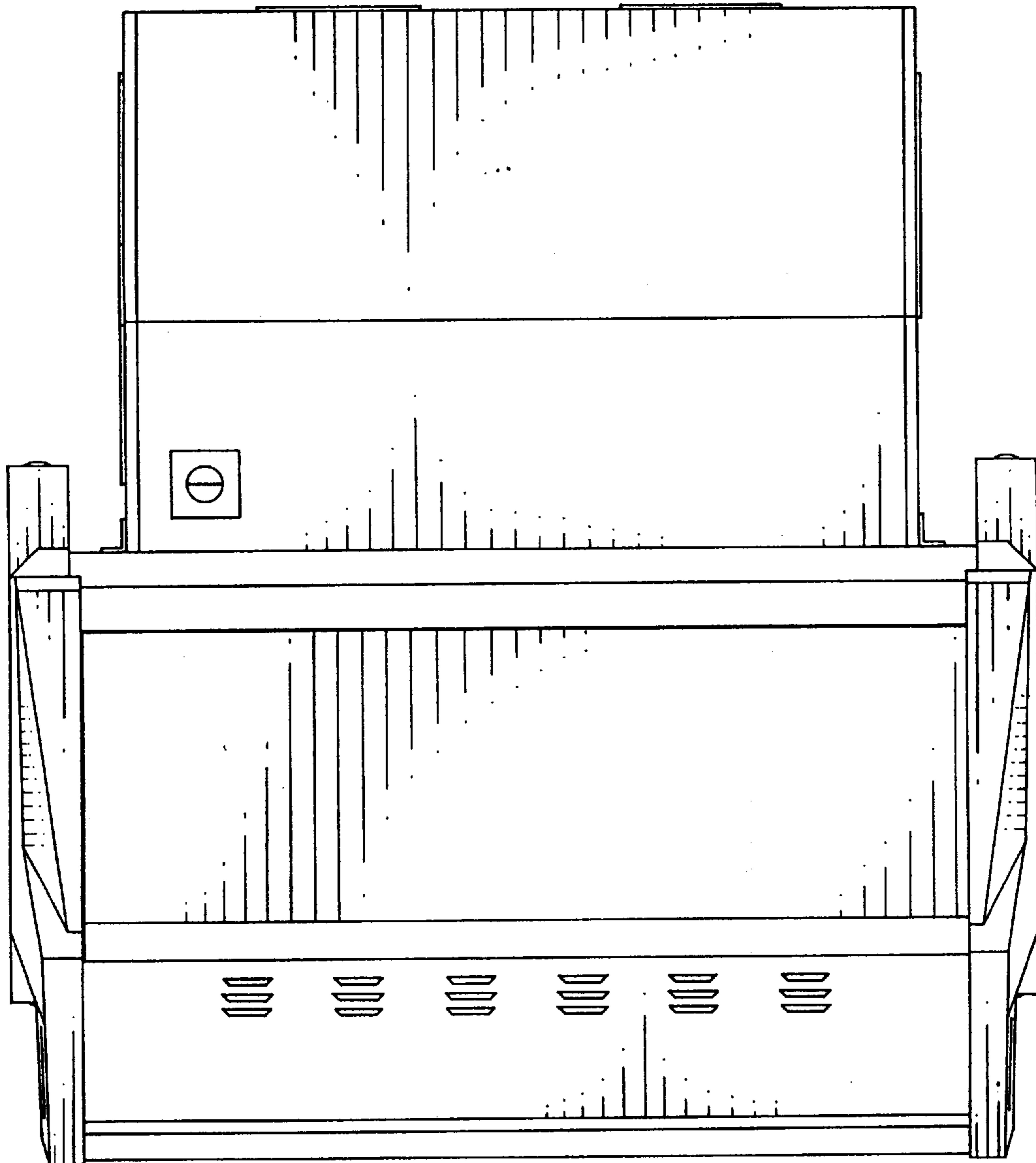


FIG. 7

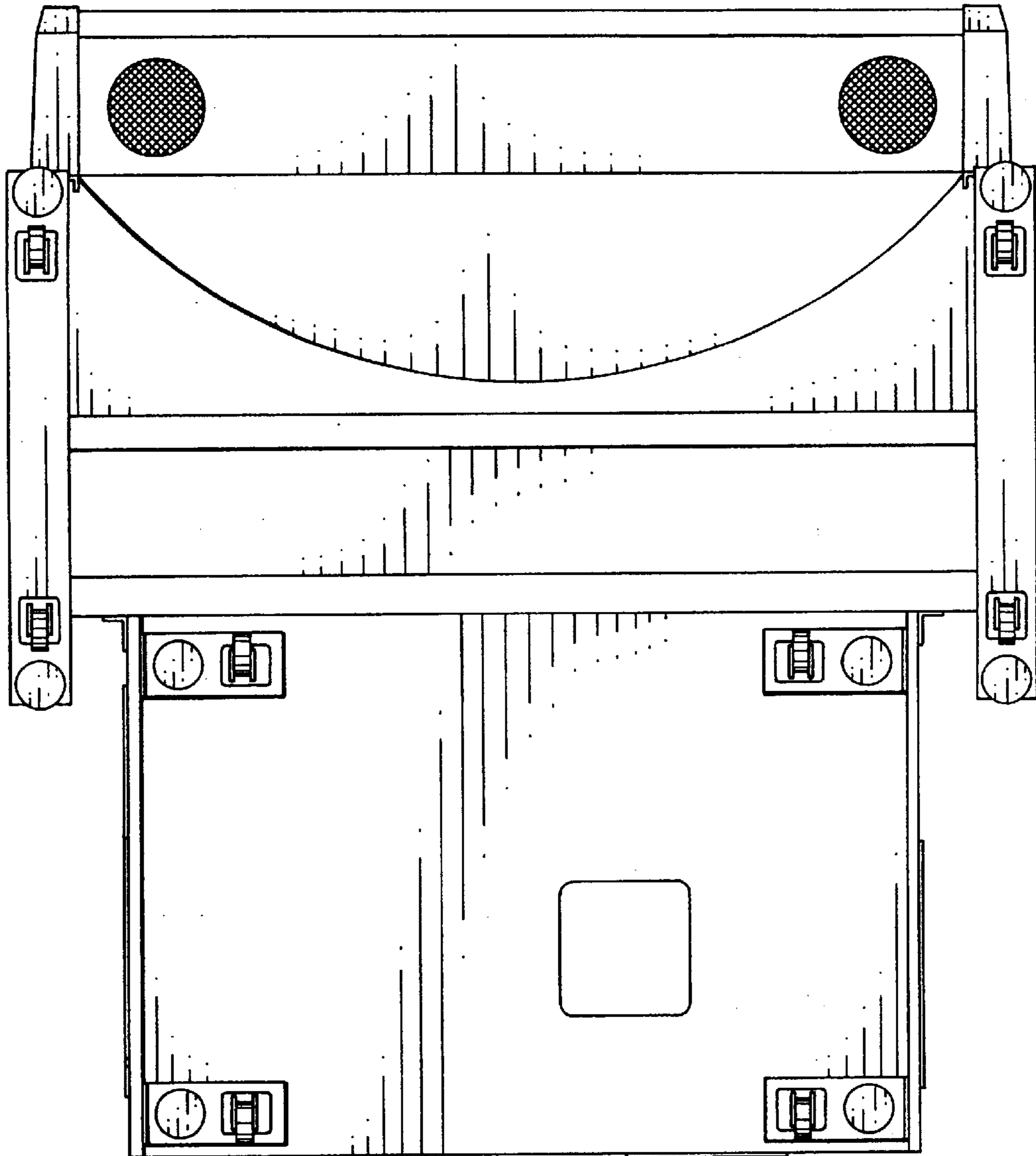




FIG. 8

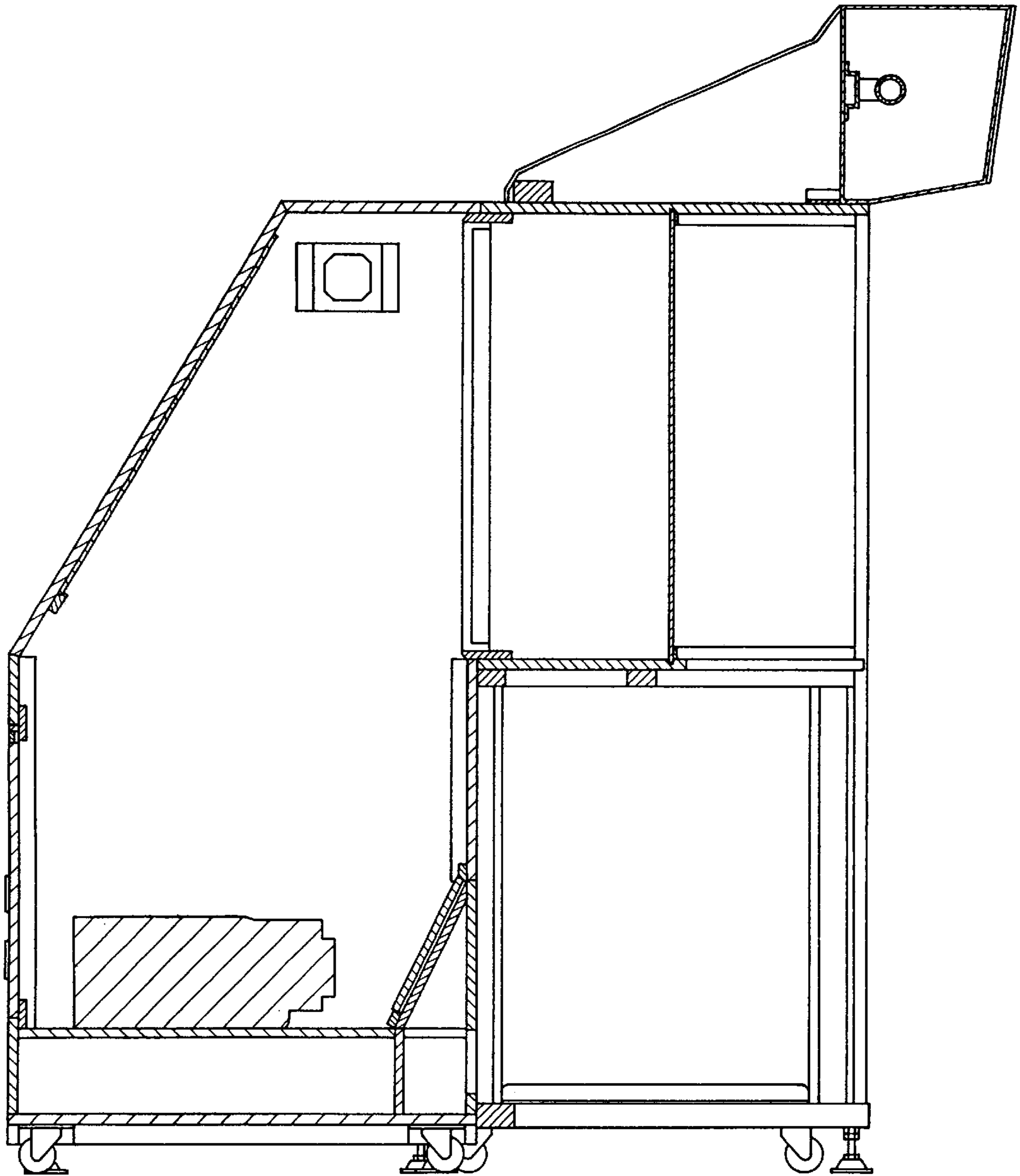


FIG. 9

