



US00D444495S

(12) **United States Design Patent**
Taniguchi et al.

(10) **Patent No.:** **US D444,495 S**

(45) **Date of Patent:** **** Jul. 3, 2001**

(54) **TONER CARTRIDGE**

(75) **Inventors:** **Masami Taniguchi; Yoshihiko Tanaka,**
both of Osaka (JP)

(73) **Assignee:** **Kyocera Mita Corporation, Osaka**
(JP)

(**) **Term:** **14 Years**

(21) **Appl. No.:** **29/050,057**

(22) **Filed:** **Feb. 6, 1996**

(30) **Foreign Application Priority Data**

Aug. 11, 1995 (JP) 7-23625

(51) **LOC (7) Cl.** **18-02**

(52) **U.S. Cl.** **D18/43; D18/56**

(58) **Field of Search** **D18/12, 43, 56;**
D14/114, 107; 222/DIG. 1; 118/653; 141/1;
355/260

(56) **References Cited**

U.S. PATENT DOCUMENTS

- D. 310,845 * 9/1990 Ohata D18/43
- D. 329,659 * 9/1992 Mizukami et al. D18/43
- D. 346,819 * 5/1994 Janiguchi et al. D18/43
- D. 366,278 * 1/1996 Nagashima D18/43
- 3,834,592 * 9/1974 Cherian 222/DIG. 1
- 5,030,998 * 7/1991 Shibata et al. 355/260
- 5,074,344 * 12/1991 Vacek et al. 222/DIG. 1
- 5,249,020 * 9/1993 Takano 355/260

- 5,307,128 * 4/1994 Murasaki et al. 355/260
- 5,313,993 * 5/1994 Corley et al. 355/260
- 5,449,095 * 9/1995 Kobayashi 222/DIG. 1

FOREIGN PATENT DOCUMENTS

- 67571 * 3/1987 (JP) 355/260
- 3087866 * 4/1991 (JP) 355/260
- 3294878 * 12/1991 (JP) 355/260
- 5323785 * 12/1993 (JP) 355/260
- 6019313 * 1/1994 (JP) 355/260
- 9216879 * 10/1992 (WO) 355/260

* cited by examiner

Primary Examiner—Cathy Anne MacCormac

(74) *Attorney, Agent, or Firm*—Jordan and Hamburg LLP

(57) **CLAIM**

The ornamental design for a toner cartridge, as shown and described.

DESCRIPTION

FIG. 1 is a top view of a toner cartridge of our new design; FIG. 2 is a bottom view of the toner cartridge; FIG. 3 is a front view of the toner cartridge; FIG. 4 is a rear view of the toner cartridge; FIG. 5 is a left side view of the toner cartridge; FIG. 6 is a right side view of the toner cartridge; FIG. 7 is a perspective view of the toner cartridge. FIG. 8 is another perspective view of the toner cartridge; and, FIG. 9 is still another perspective view of the toner cartridge.

1 Claim, 3 Drawing Sheets

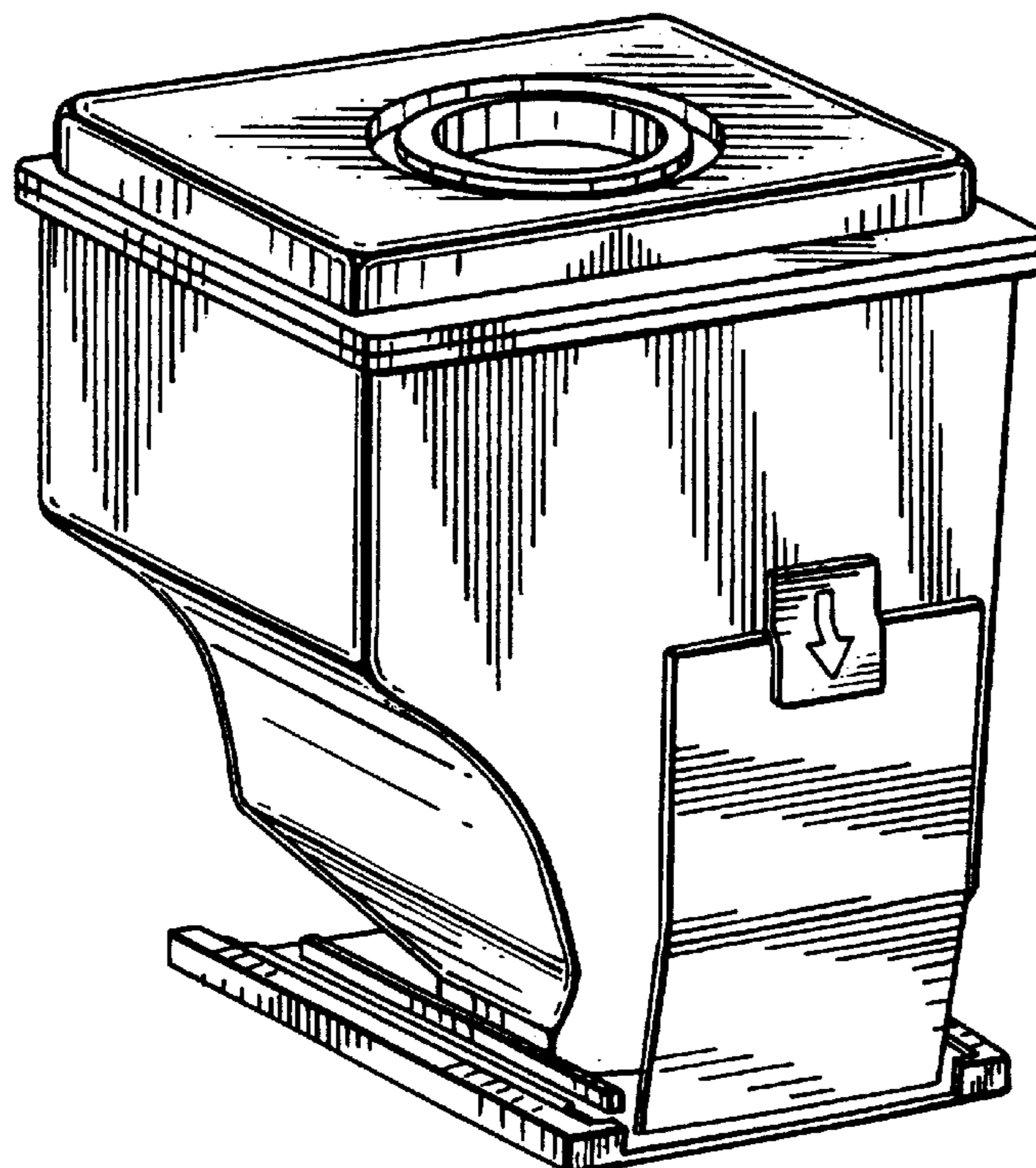


FIG. 1

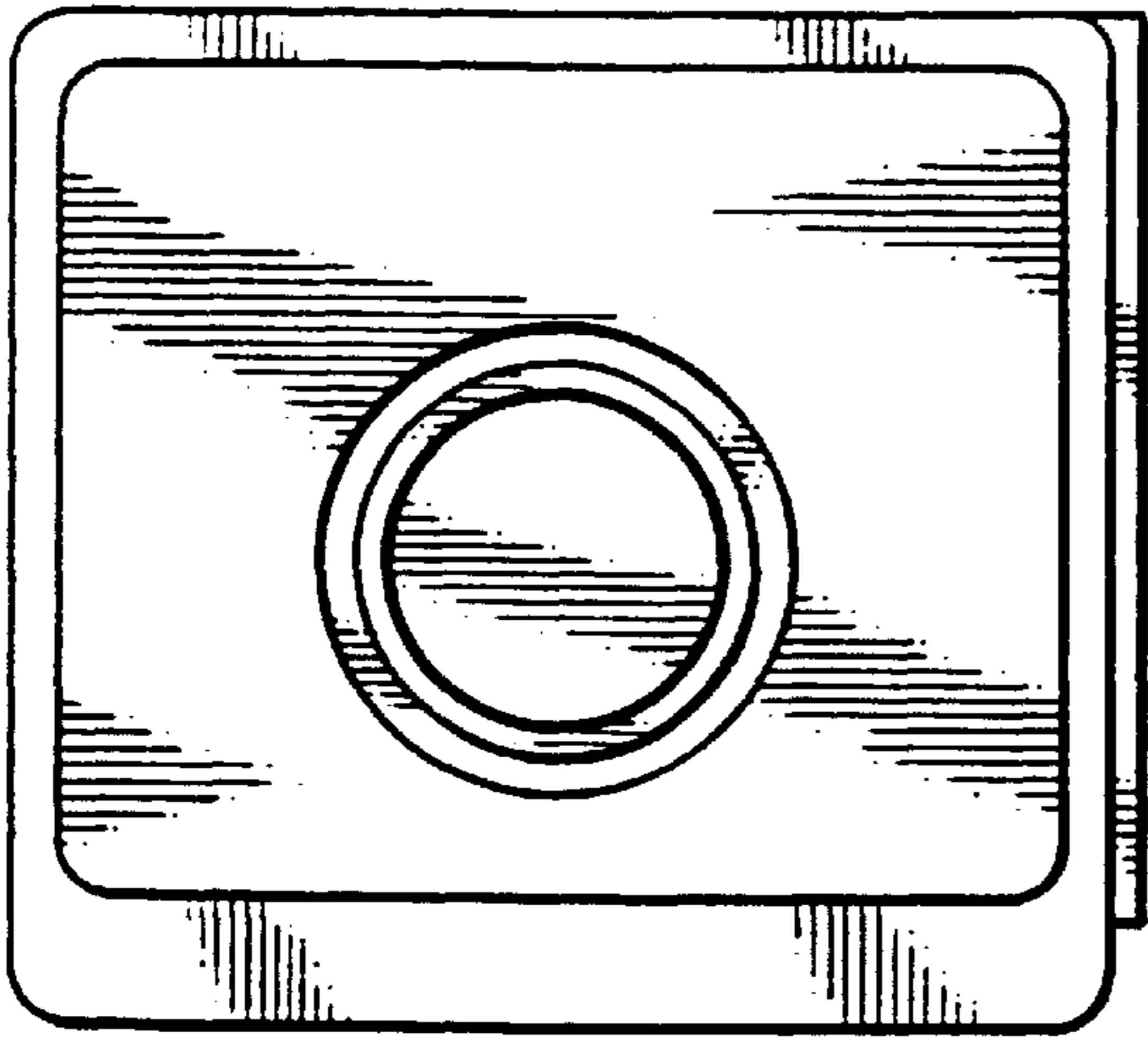


FIG. 2

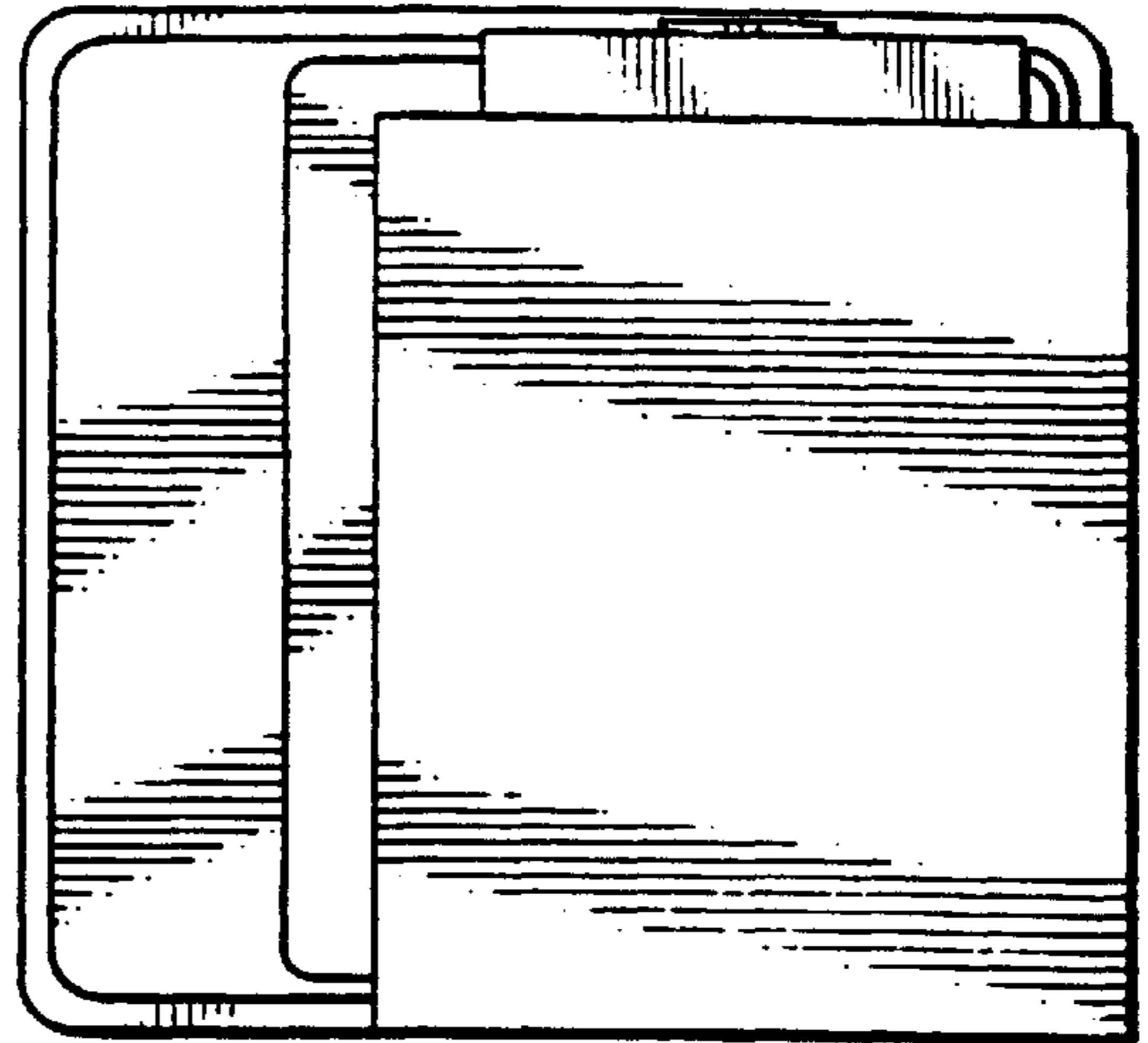


FIG. 3

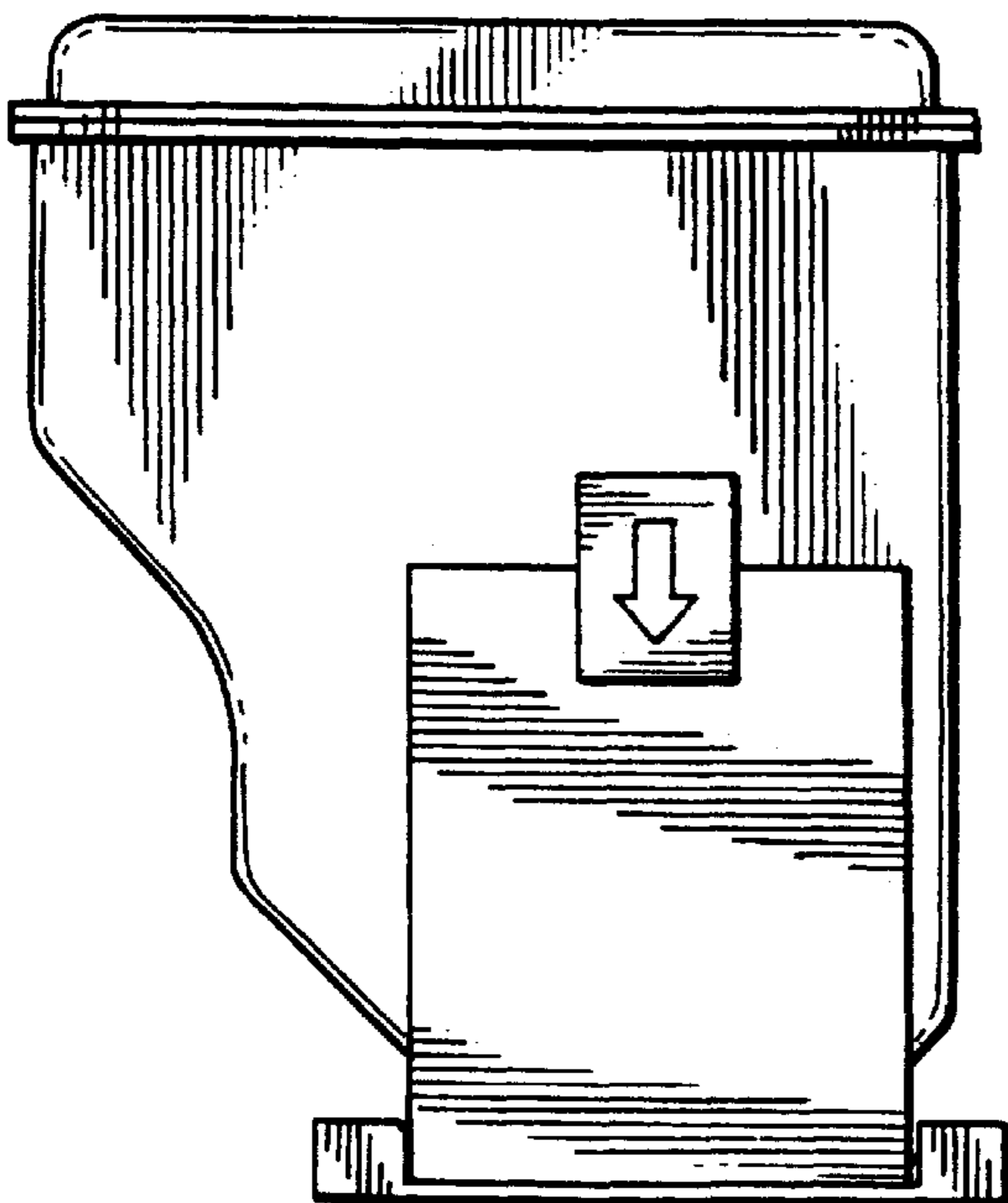


FIG. 4

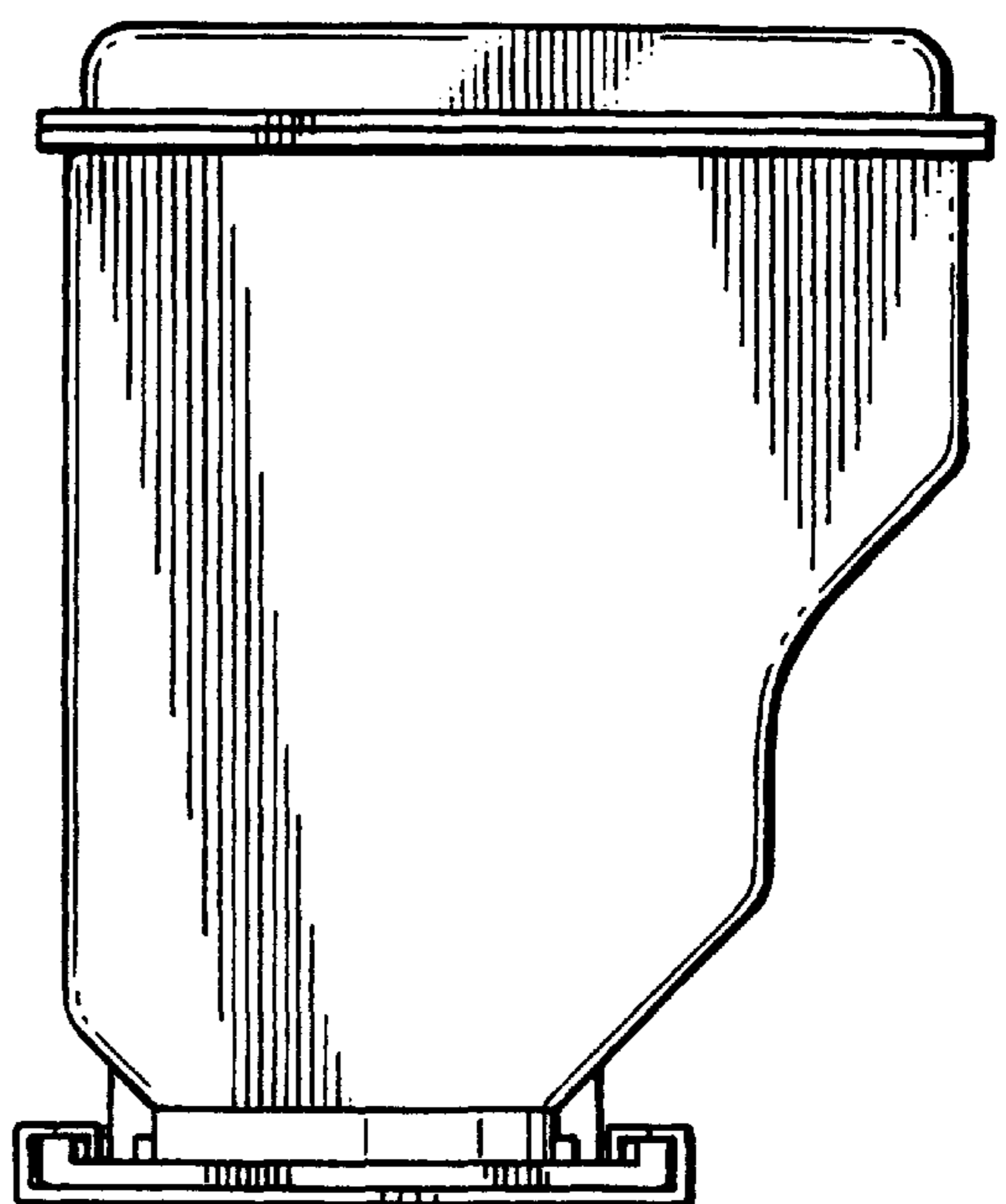


FIG. 5

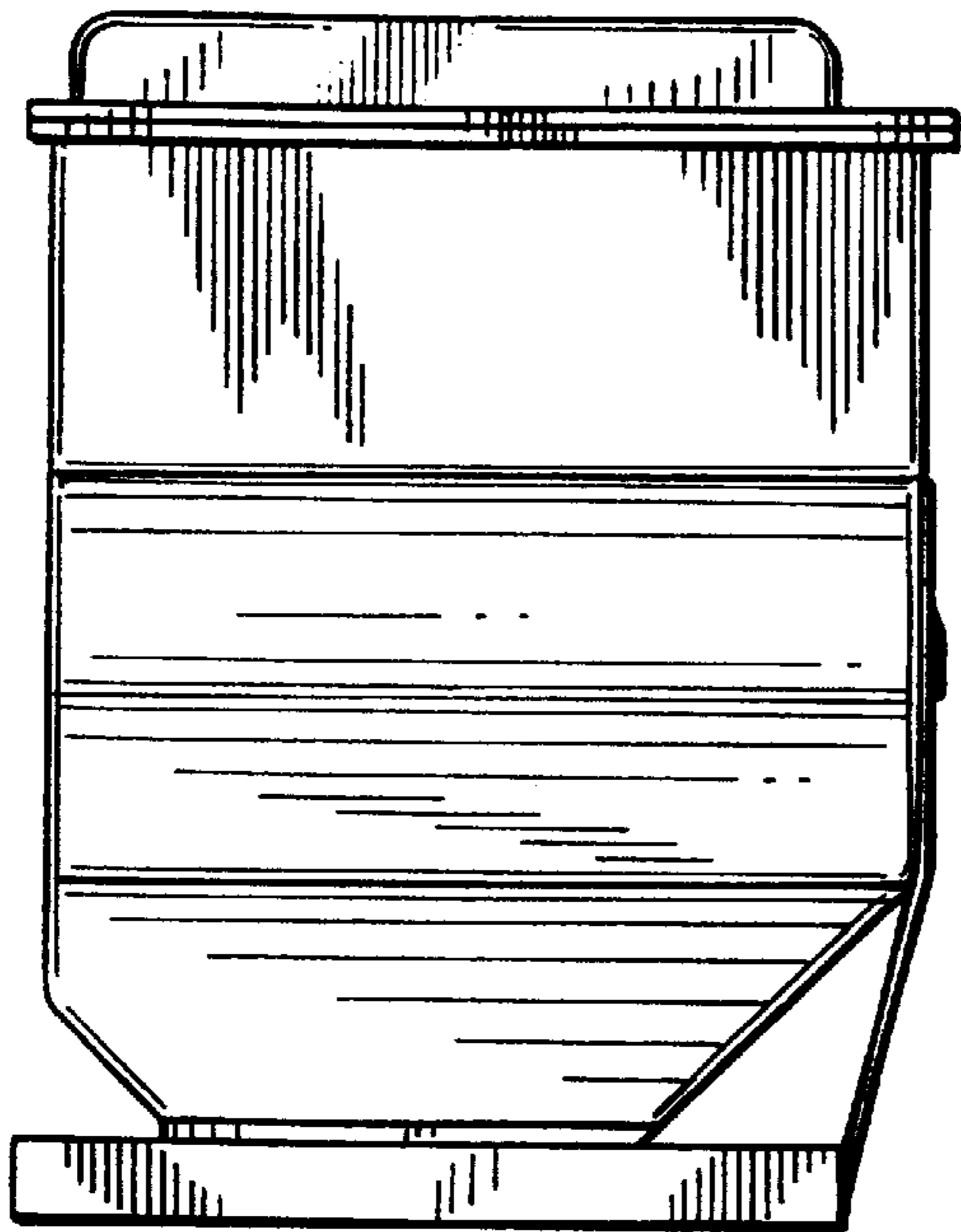


FIG. 6

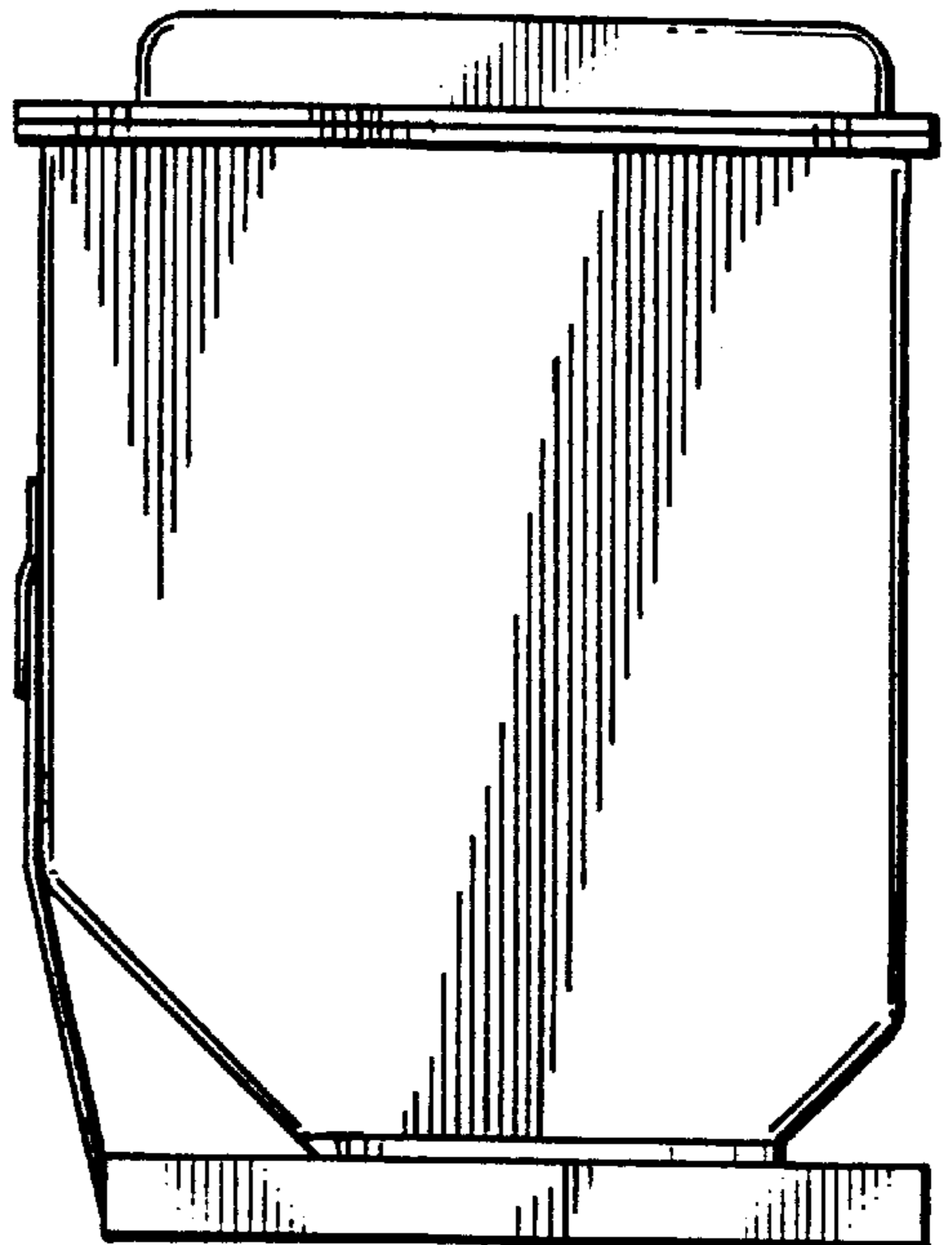


FIG. 7

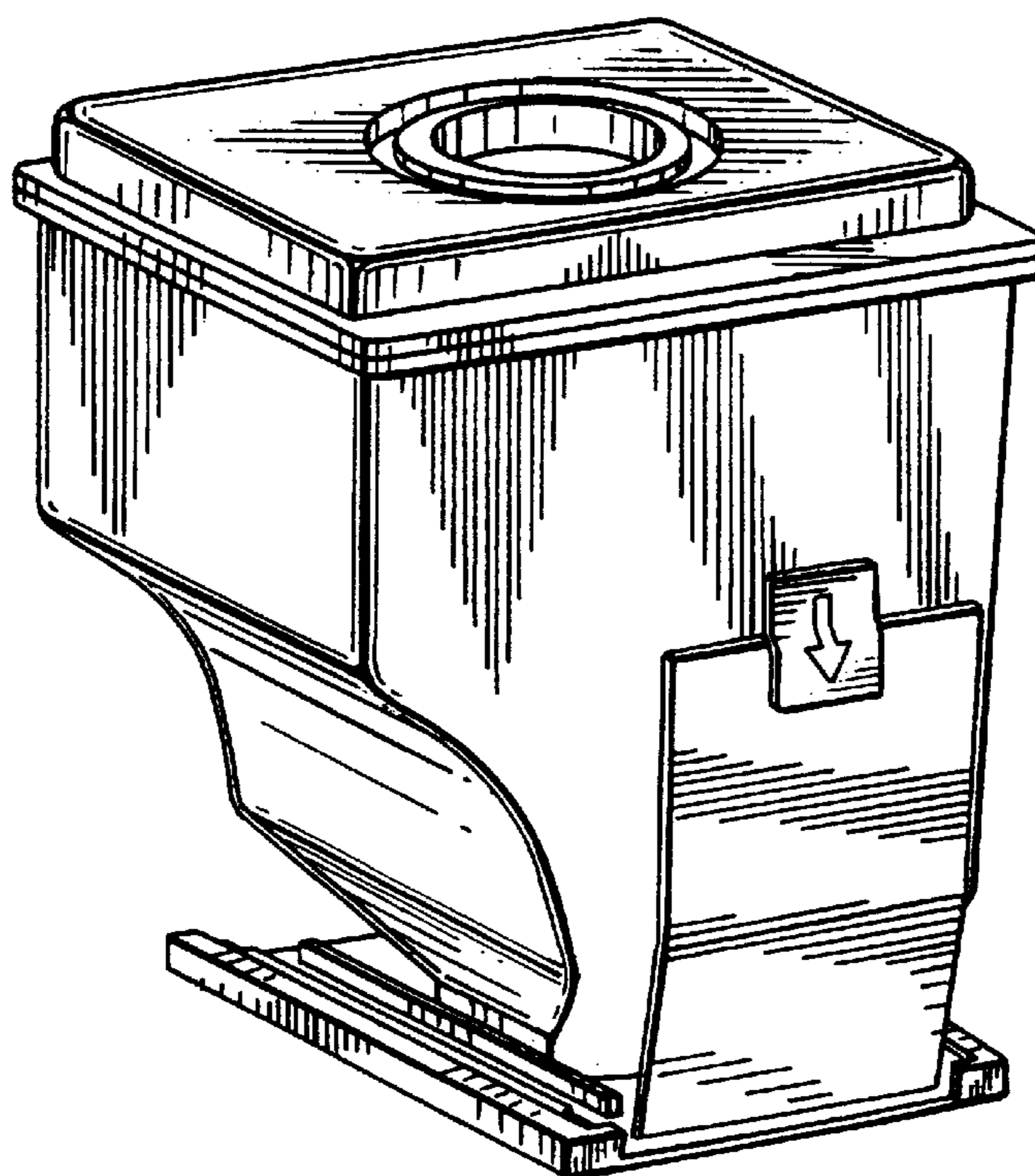


FIG. 8

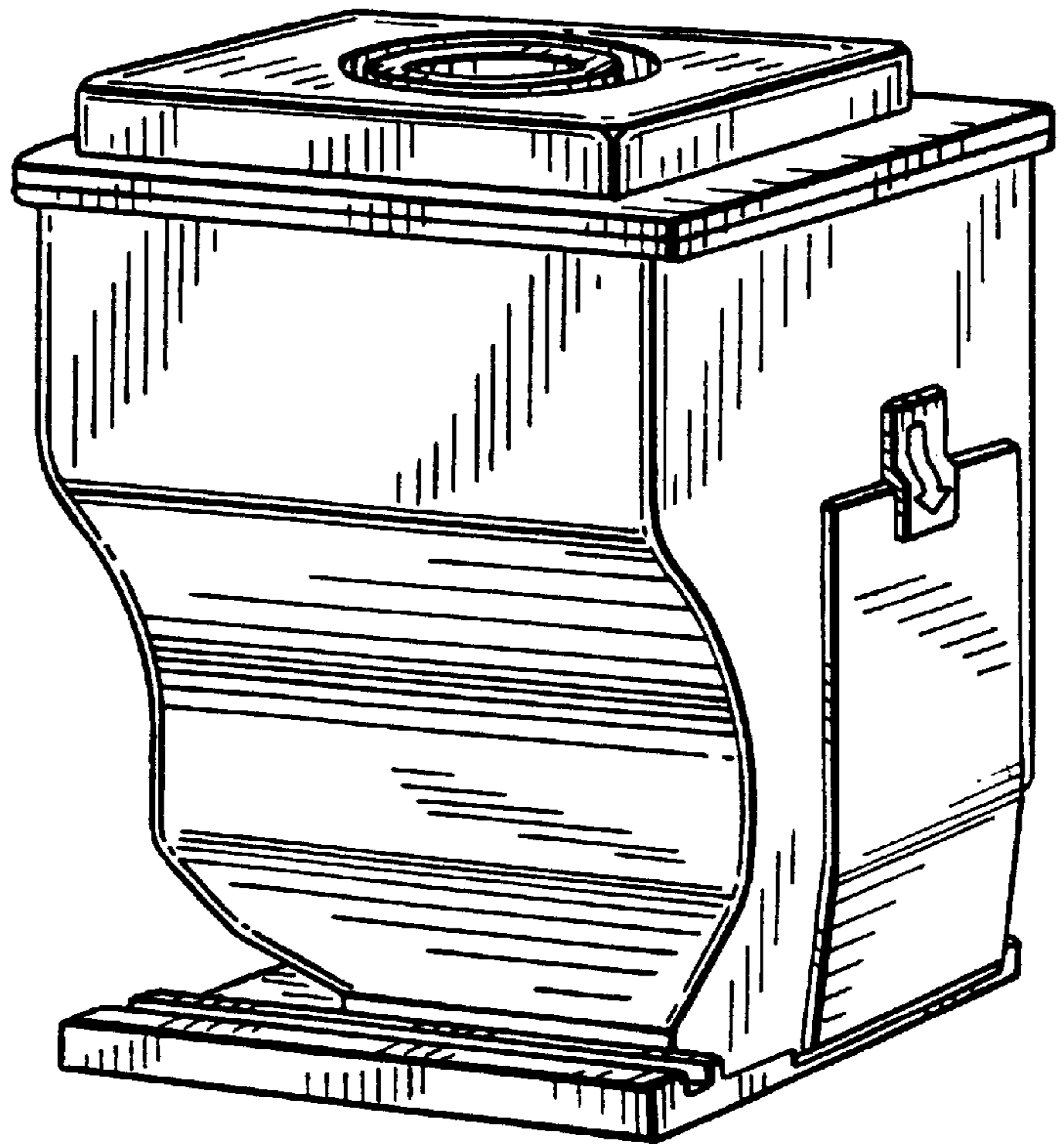


FIG. 9

