



US00D444493S

(12) **United States Design Patent**
Behringer

(10) **Patent No.:** **US D444,493 S**

(45) **Date of Patent:** **** Jul. 3, 2001**

(54) **ELECTRONIC INSTRUMENT PACKAGE**

(75) Inventor: **Ulrich Behringer**, Hong Kong (HK)

(73) Assignee: **Red Chip Company, Ltd.**, Tortola (VG)

(**) Term: **14 Years**

(21) Appl. No.: **29/123,940**

(22) Filed: **May 26, 2000**

(51) **LOC (7) Cl.** **17-99**

(52) **U.S. Cl.** **D17/99; D14/217**

(58) **Field of Search** **D14/217, 299; D17/20, 99; 84/644, 645, 662, 670, 724, 737-743**

(56) **References Cited**

U.S. PATENT DOCUMENTS

D. 236,212	*	8/1975	Beigel et al.	D17/99
D. 244,215	*	5/1977	Ross	D14/217
D. 324,048	*	2/1992	Tanaka	D14/217
D. 401,963	*	12/1998	Schneider et al.	D17/99
5,475,214	*	12/1995	DeFranco et al.	84/724
5,700,966	*	12/1997	LaMarra	84/645

OTHER PUBLICATIONS

Musician's Friend, Catalog, Spring 2000, Medford, Oregon, front cover, back cover, pp. 22 and 49.
"J-Station On Line Information Center", Johnson Amps., Internet URL www.johnson-amp.com/jstation.htm, p. 1 of 2.

"Line 6 Product Showroom, POD 2.0", Internet URL www.line6.com/Main/Products/productgroups/ProductDetails.cfm?ProductID=7, p. 1 of 2.

* cited by examiner

Primary Examiner—Adir Aronovich

(74) *Attorney, Agent, or Firm*—Stoel Rives LLP

(57) **CLAIM**

The ornamental design for an electronic instrument package, as shown and described.

DESCRIPTION

FIG. 1 is a perspective view of an electronic instrument package.

FIG. 2 is a top plan view of the electronic instrument package of FIG. 1.

FIG. 3 is a bottom plan view of the electronic instrument package of FIG. 1.

FIG. 4 is a rear elevation view of the electronic instrument package of FIG. 1.

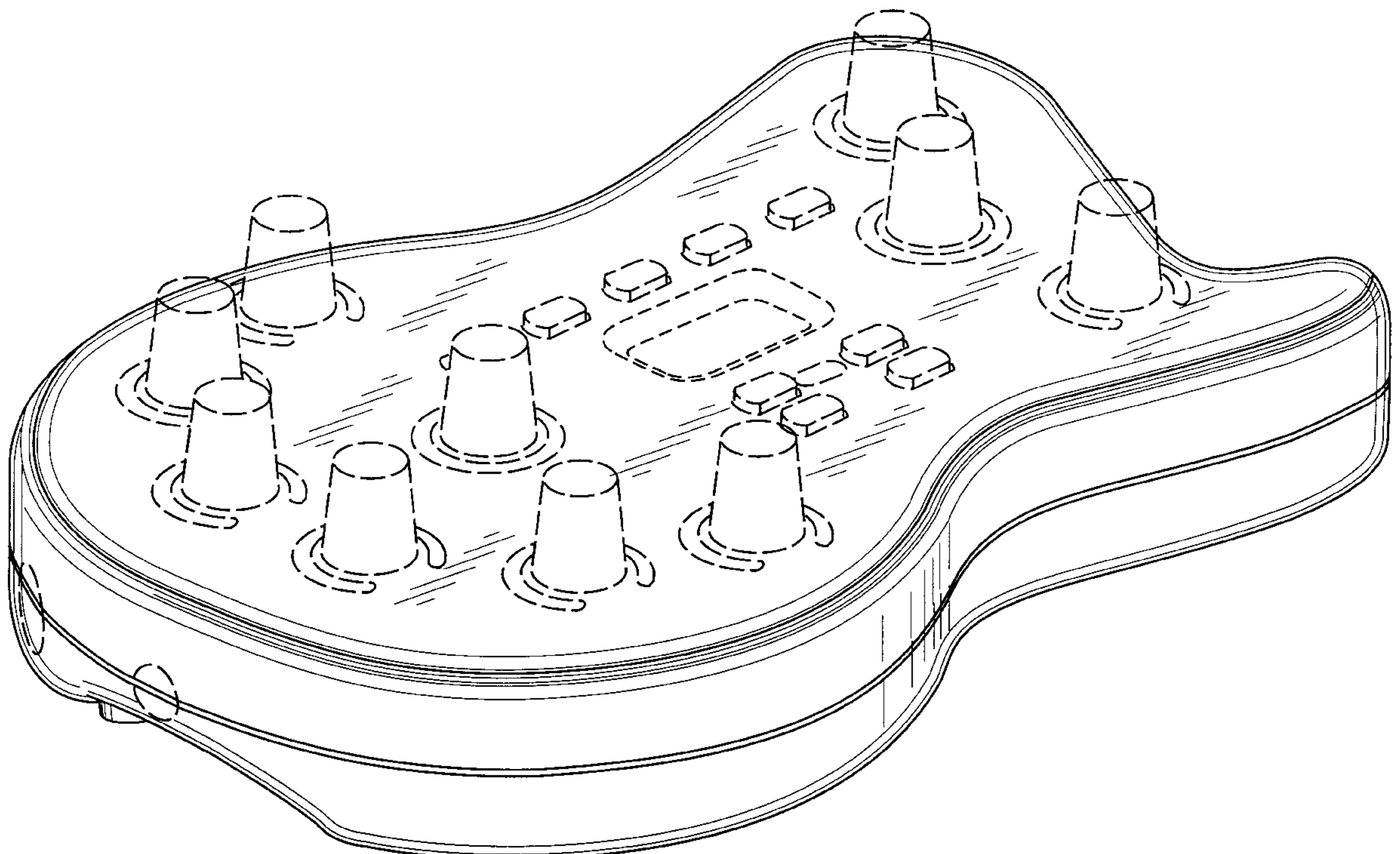
FIG. 5 is a front elevation view of the electronic instrument package of FIG. 1.

FIG. 6 is a left side elevation view of the electronic instrument package of FIG. 1; and,

FIG. 7 is a right elevation view of the electronic instrument package of FIG. 1.

The broken lines shown in FIGS. 1-7 are illustrative of environmental features only and form no part of the claimed design.

1 Claim, 5 Drawing Sheets



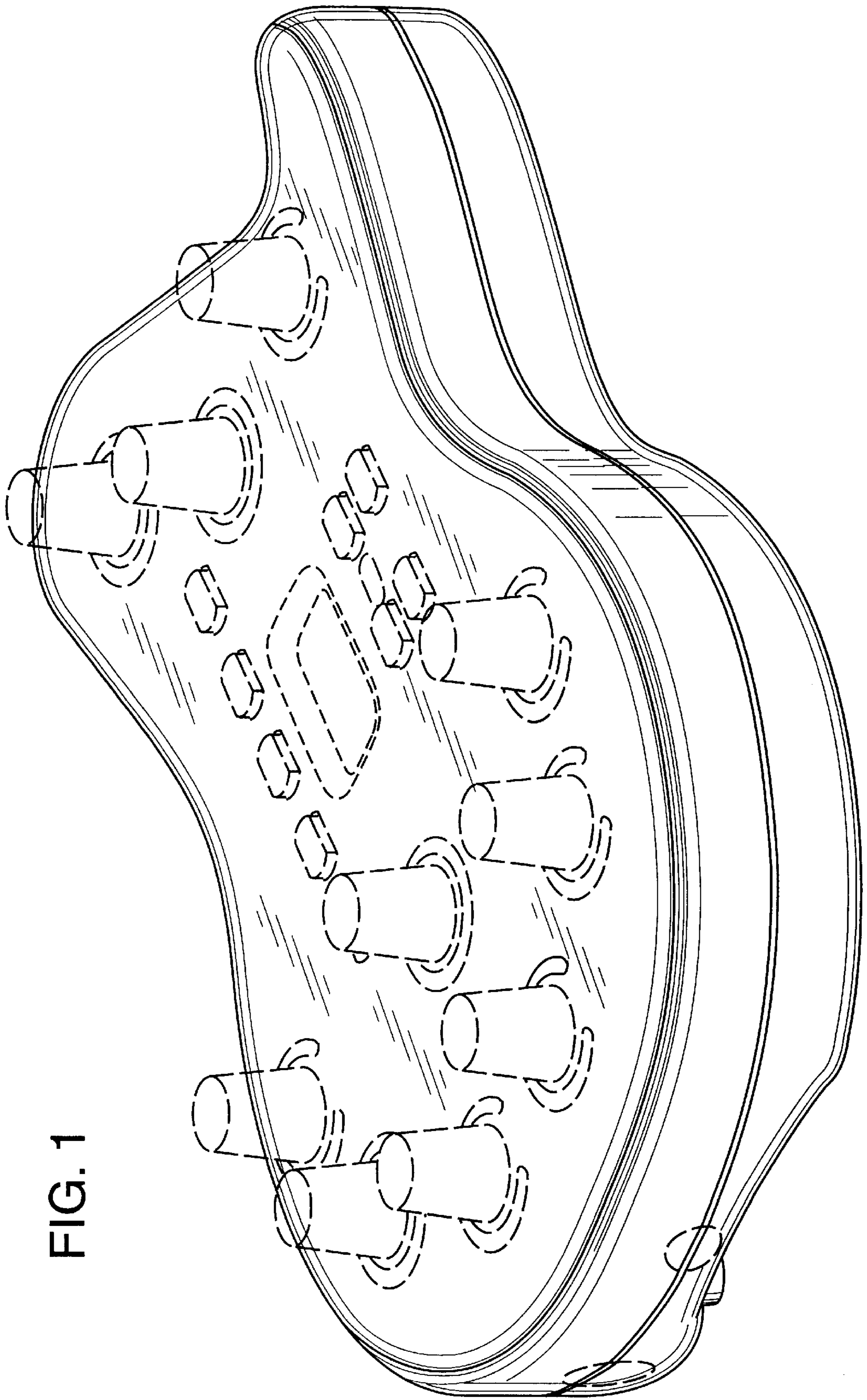


FIG. 1

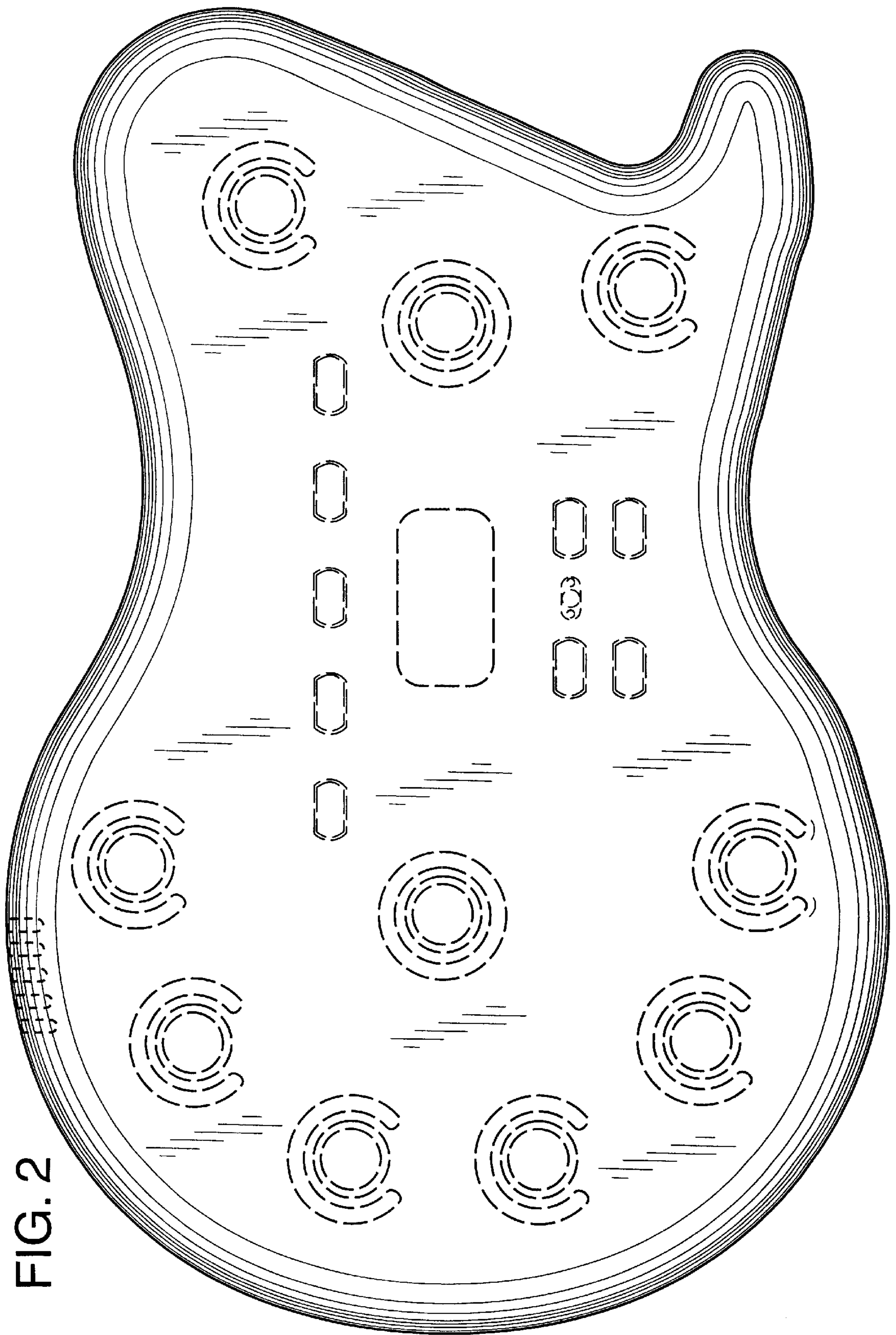


FIG. 2

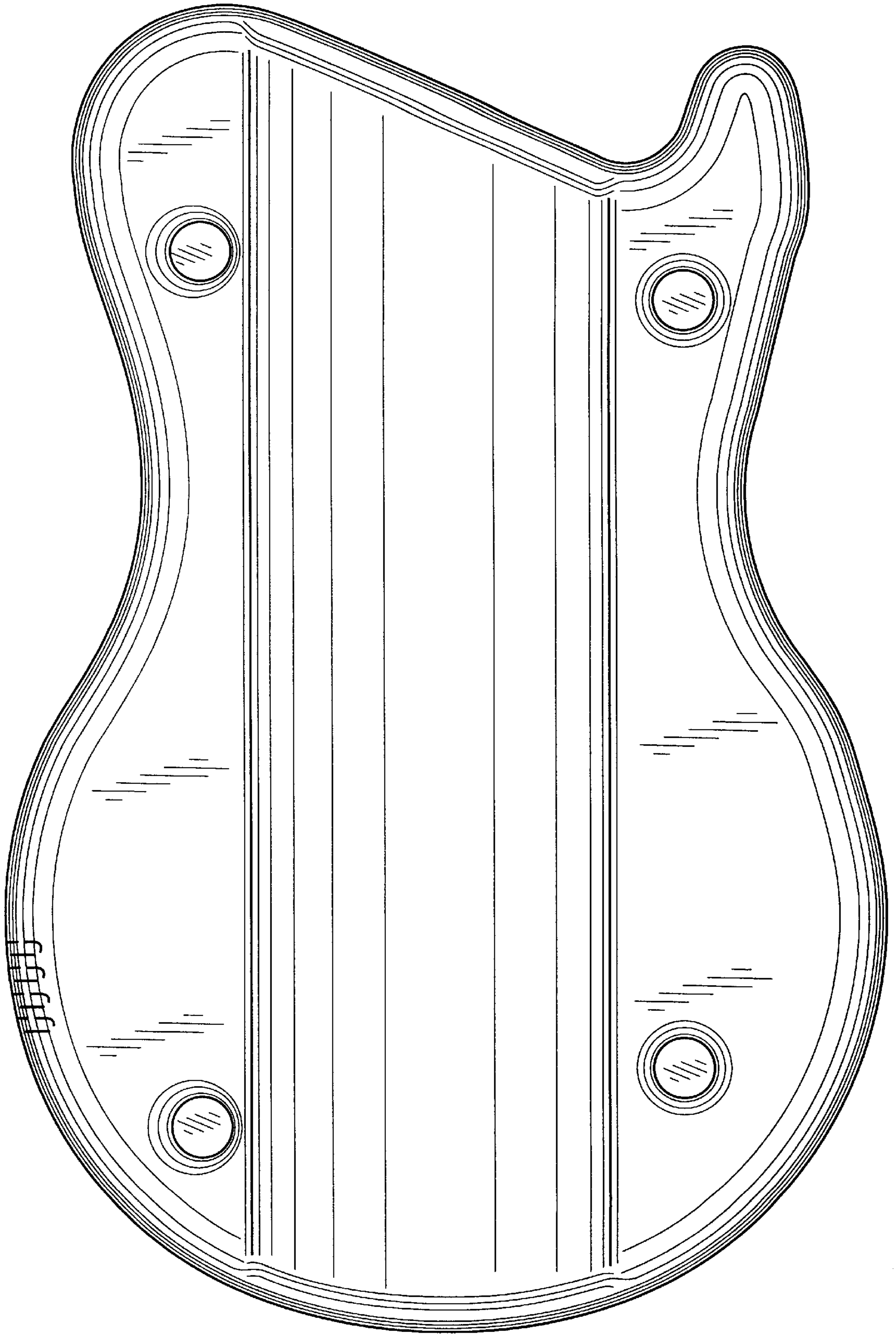
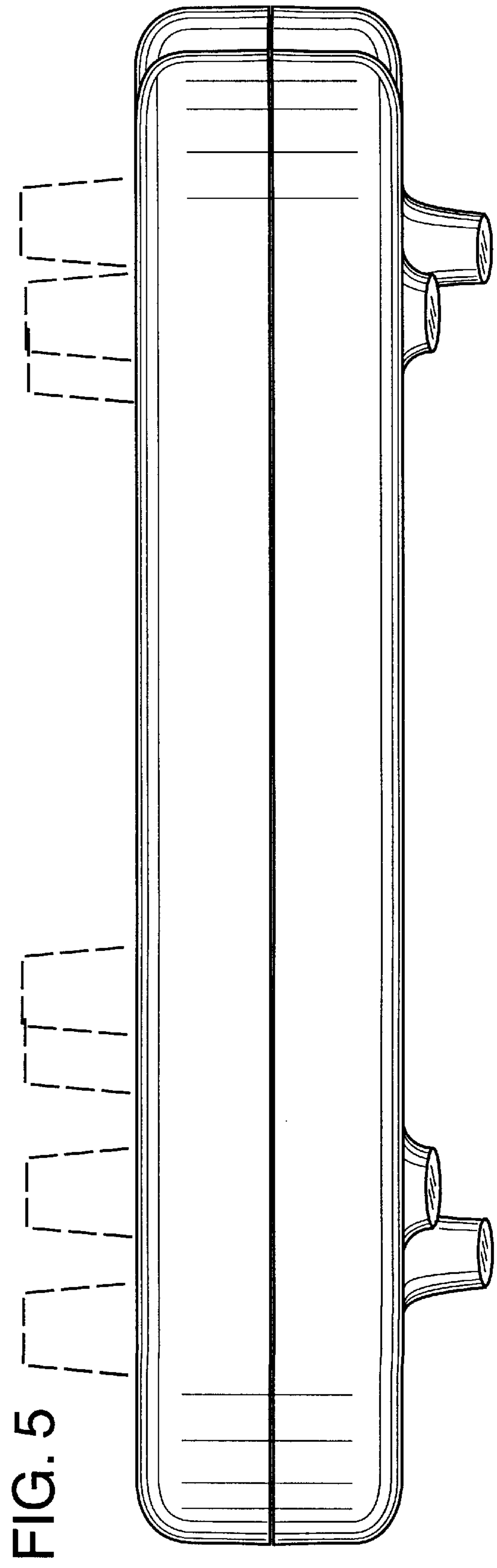
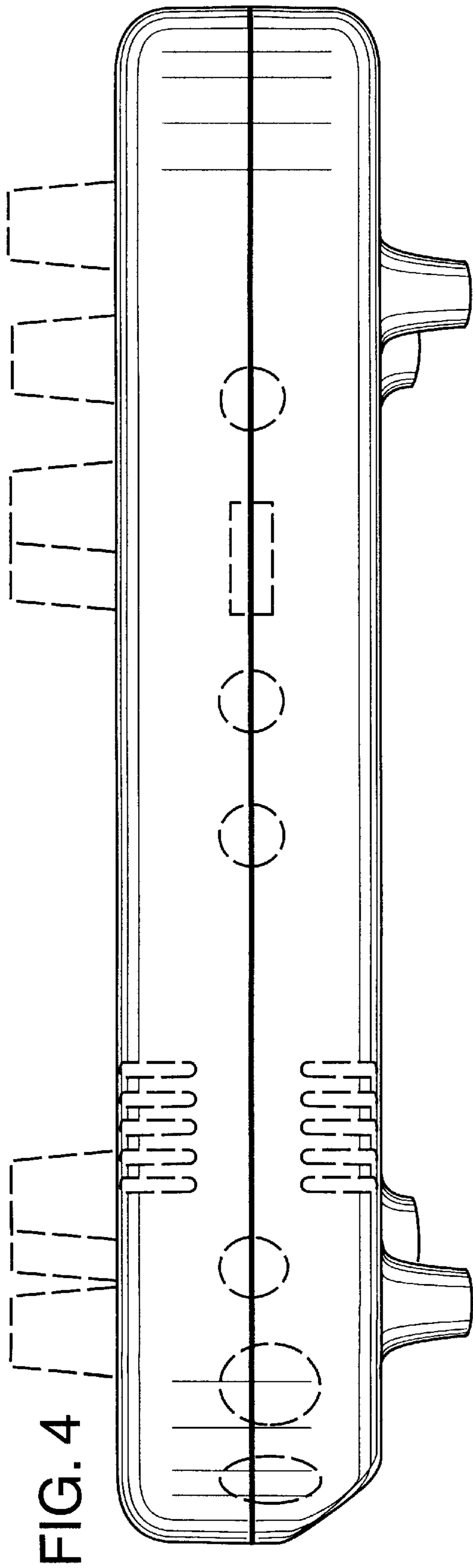


FIG. 3



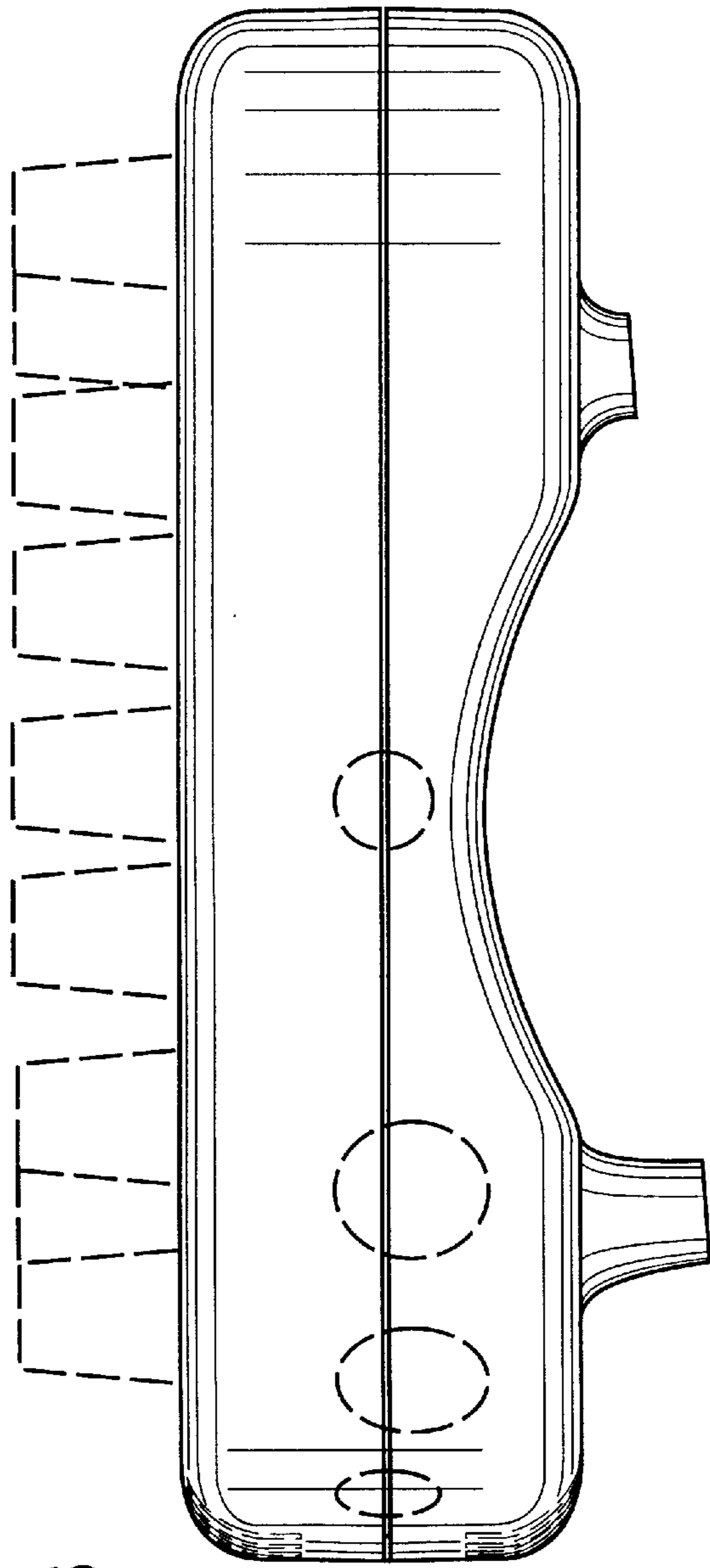


FIG. 6

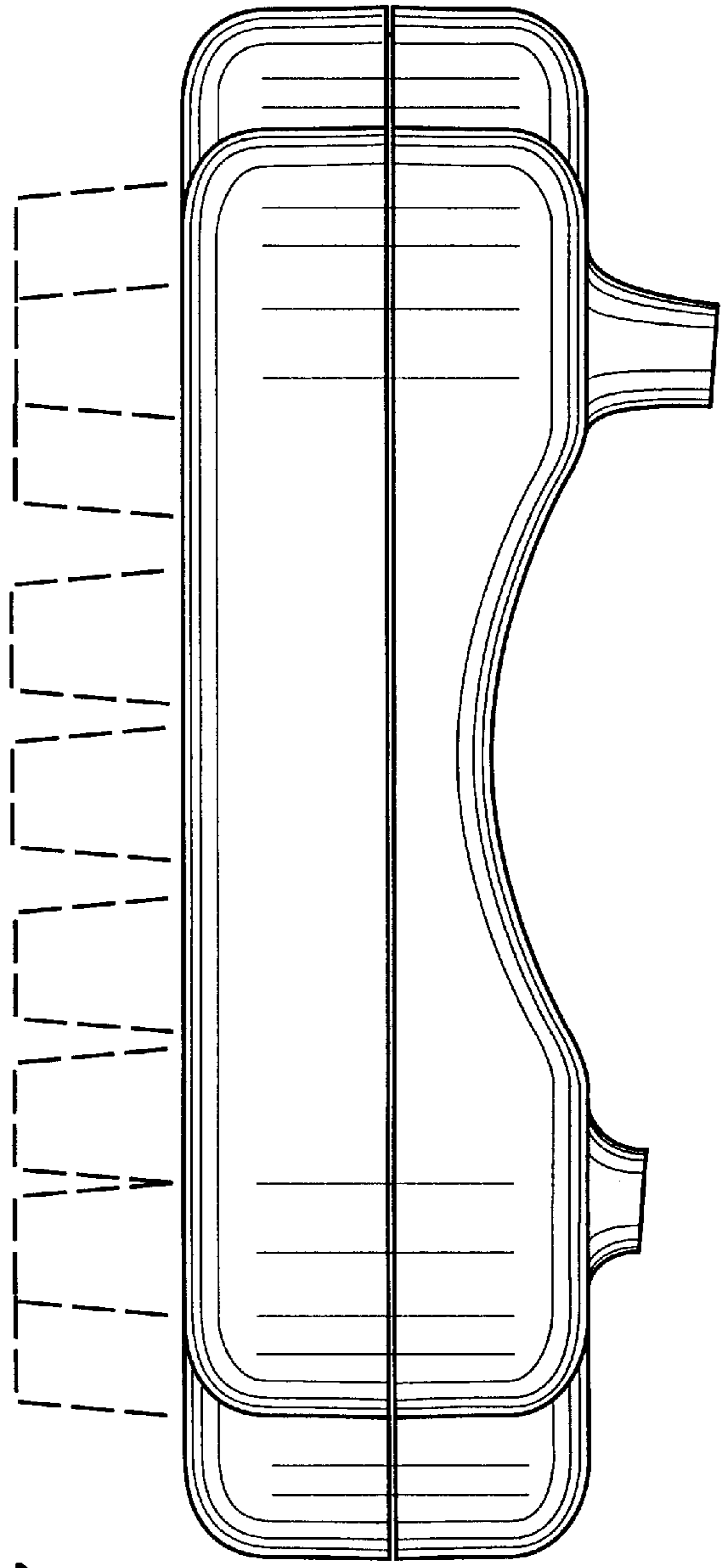


FIG. 7