



US00D444489S

(12) **United States Design Patent**
Suto et al.

(10) **Patent No.:** **US D444,489 S**

(45) **Date of Patent:** **** Jul. 3, 2001**

(54) **CAMERA**

(75) Inventors: **Masatoki Suto**, Hannan; **Keiji Takechi**, Habikino, both of (JP)

(73) Assignee: **Minolta Co., Ltd.**, Osaka (JP)

(**) Term: **14 Years**

(21) Appl. No.: **29/130,944**

(22) Filed: **Oct. 10, 2000**

Related U.S. Application Data

(62) Division of application No. 29/111,493, filed on Sep. 30, 1999.

(30) **Foreign Application Priority Data**

Mar. 31, 1999 (JP) 11-8438
Mar. 31, 1999 (JP) 11-8439

(51) **LOC (7) Cl.** **16-01**

(52) **U.S. Cl.** **D16/218; D16/212**

(58) **Field of Search** D16/200-205, D16/208, 209, 212, 218; 396/448, 535-541

(56) **References Cited**

U.S. PATENT DOCUMENTS

D. 257,982 1/1981 Maitani D16/212
D. 343,405 1/1994 Nojima et al. D16/209
D. 389,849 1/1998 Kim D16/209
D. 406,158 * 2/1999 Akiyama et al. D16/202
D. 407,425 * 3/1999 Lin D16/209

D. 415,511 10/1999 Funakoshi et al. D16/209
D. 428,038 * 7/2000 Suto D16/219
4,556,304 12/1985 Fukuda 396/448
4,557,574 12/1985 Kohno et al. 396/448
5,212,510 * 5/1993 Baxter 396/348

FOREIGN PATENT DOCUMENTS

863026 3/1993 (JP) .

* cited by examiner

Primary Examiner—Adir Aronovich

(74) *Attorney, Agent, or Firm*—Burns, Doane, Swecker & Mathis, LLP

(57) **CLAIM**

The ornamental design for a camera, as shown and described.

DESCRIPTION

FIG. 1 is a front perspective view of a camera showing our new design;
FIG. 2 is a rear perspective view thereof;
FIG. 3 is a front elevational view thereof;
FIG. 4 is a rear elevational view thereof;
FIG. 5 is a left side elevational view thereof;
FIG. 6 is a right side elevational view thereof;
FIG. 7 is a top plan view thereof;
FIG. 8 is a bottom plan view thereof; and,
FIG. 9 is a sectional view (inside mechanism omitted) taken along the line 9—9 in FIG. 3.

1 Claim, 4 Drawing Sheets

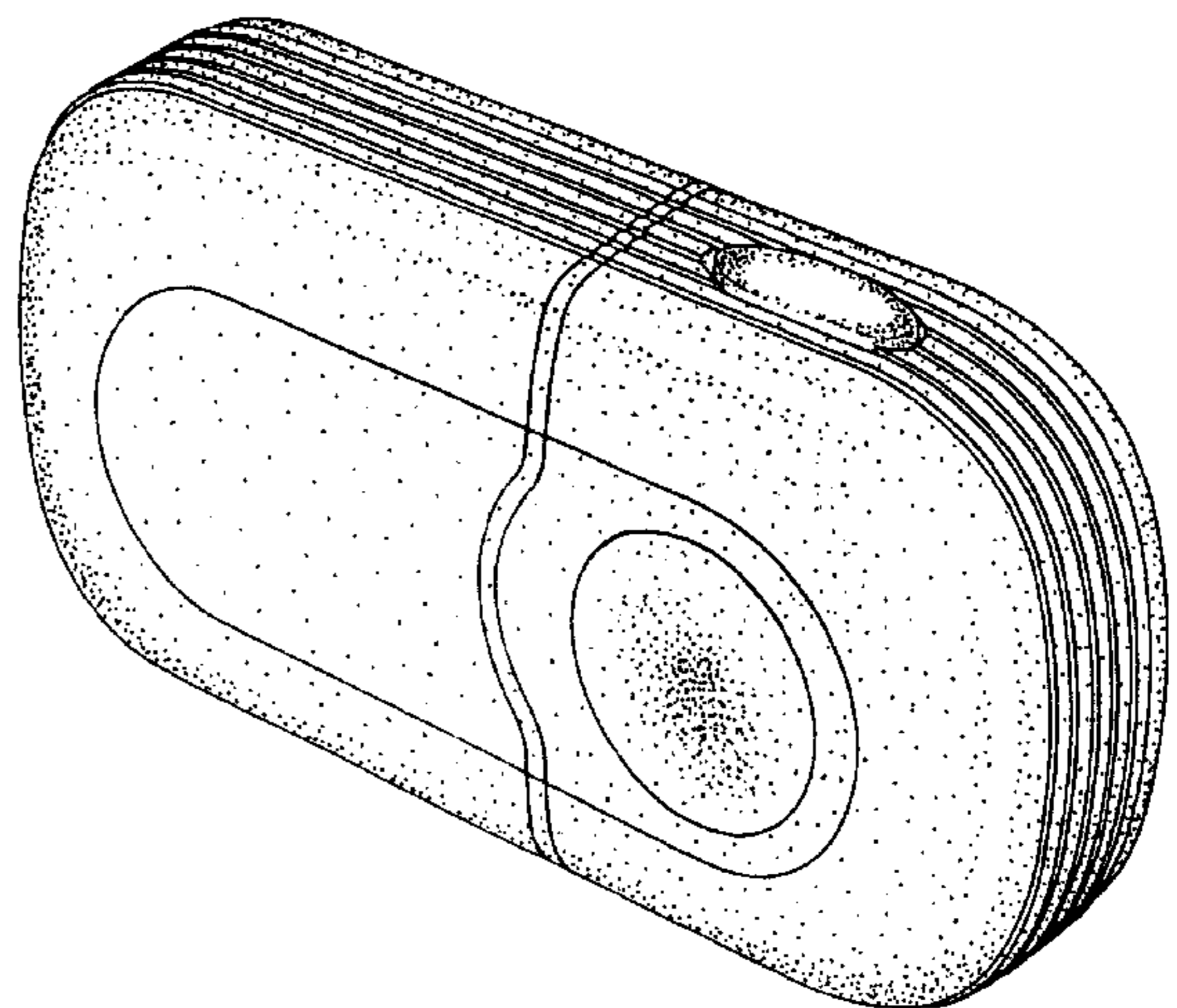
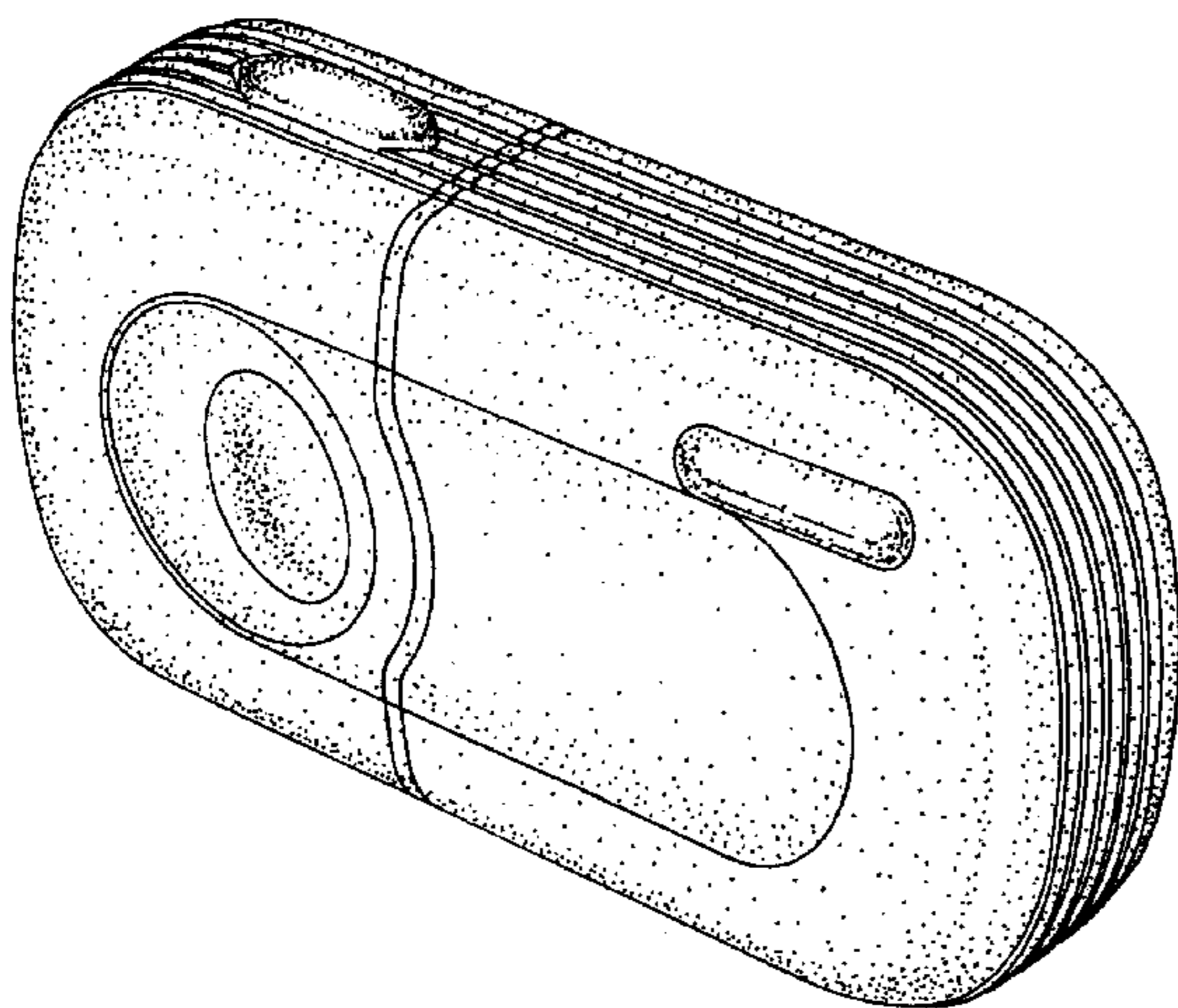


FIG. 1

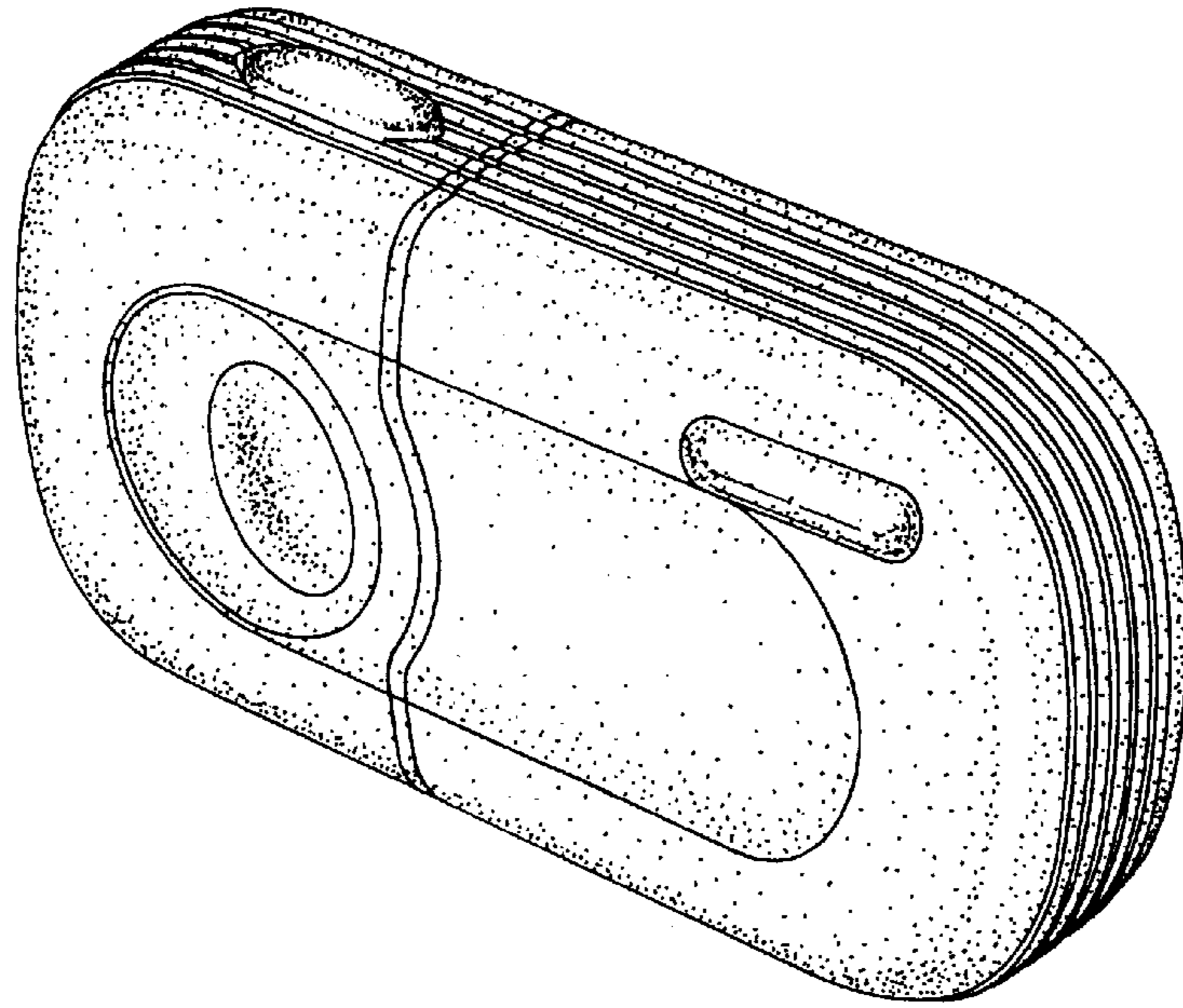


FIG. 2

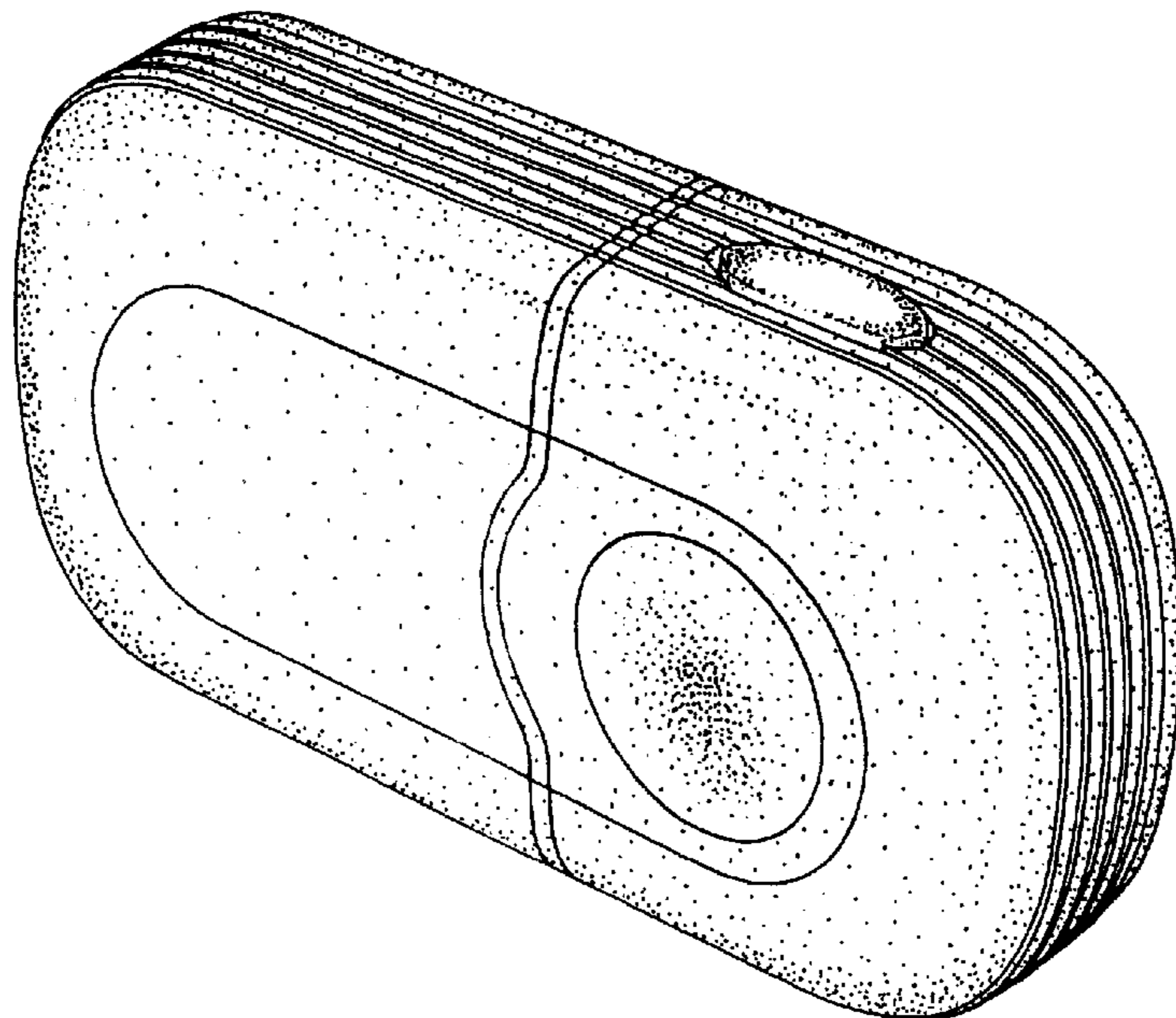


FIG. 3

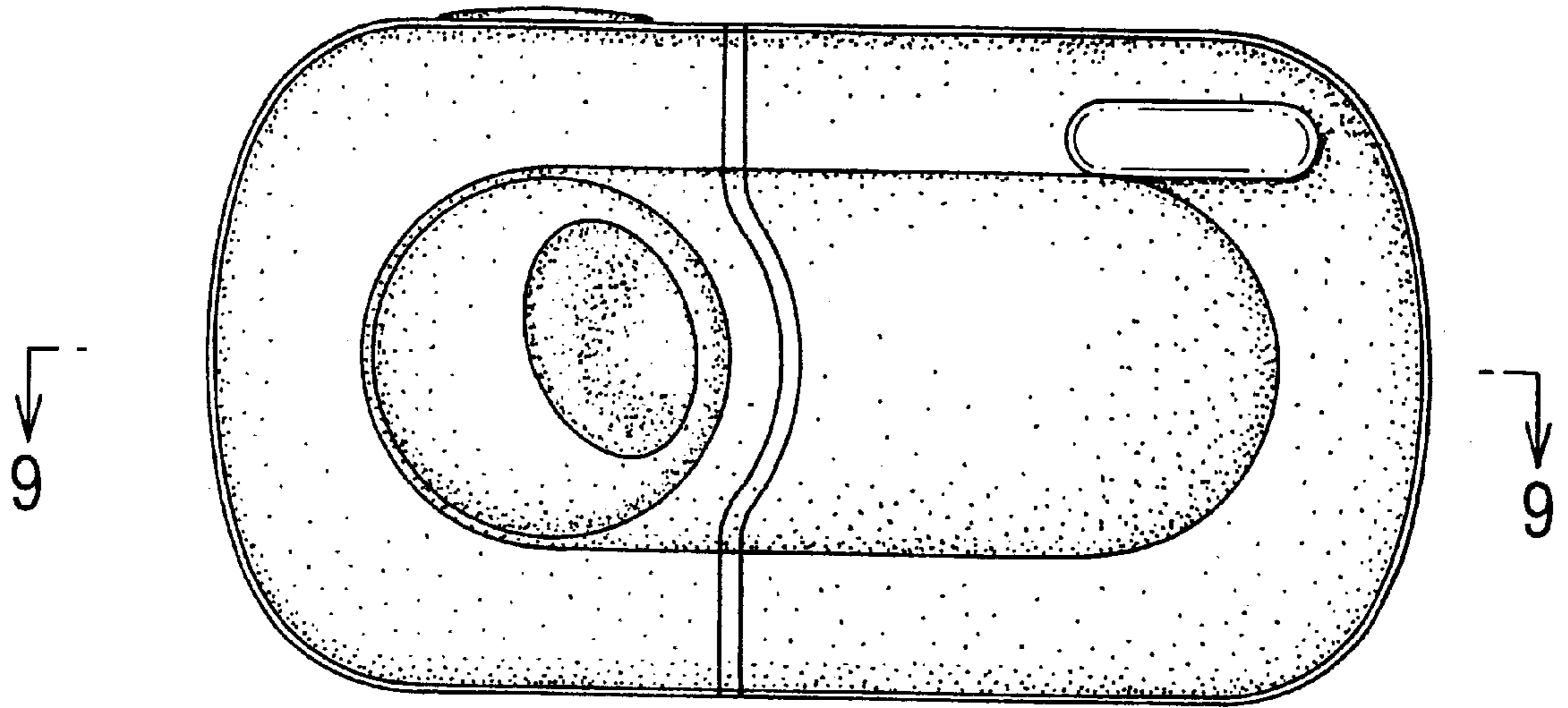


FIG. 4

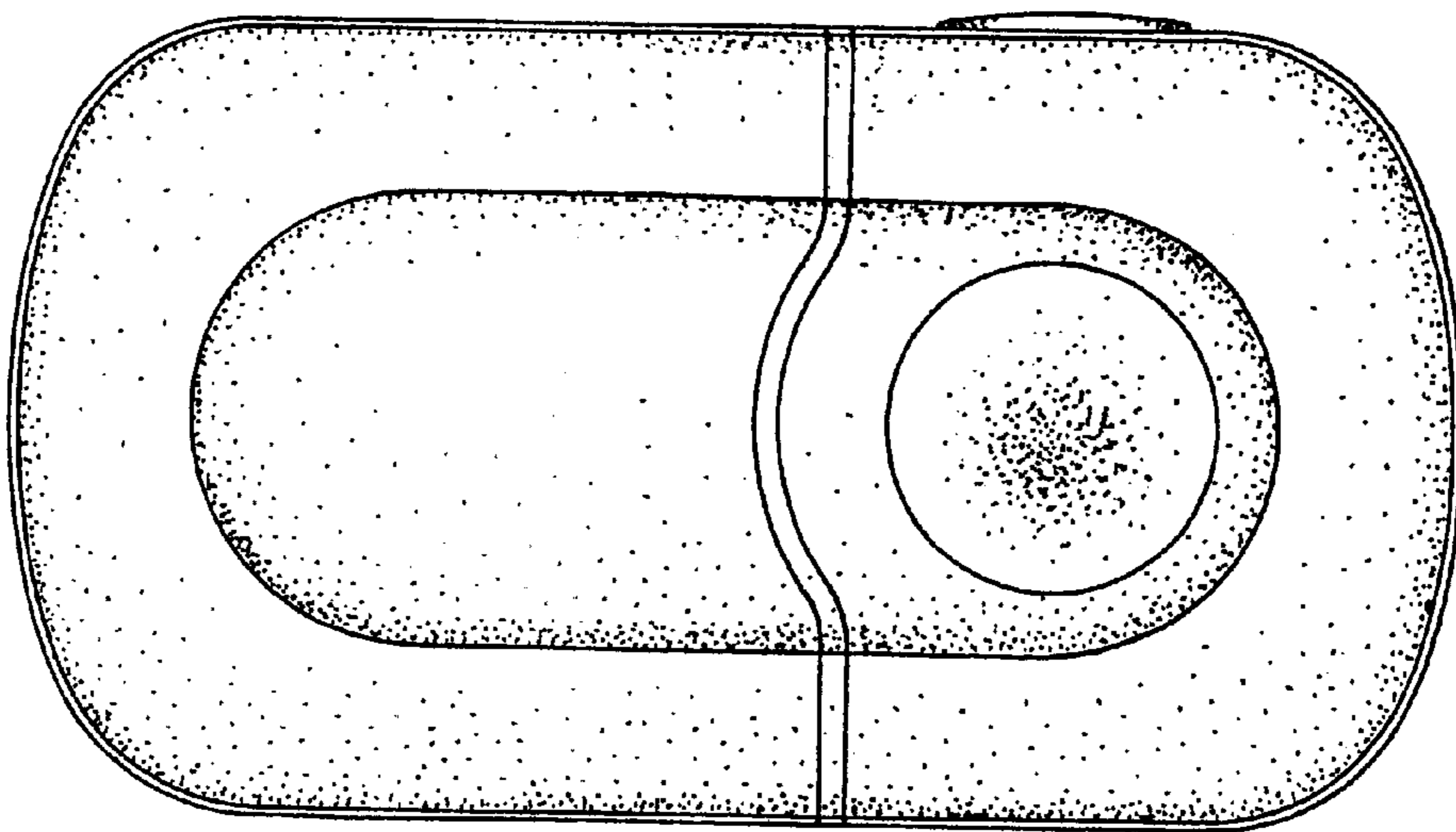


FIG. 5

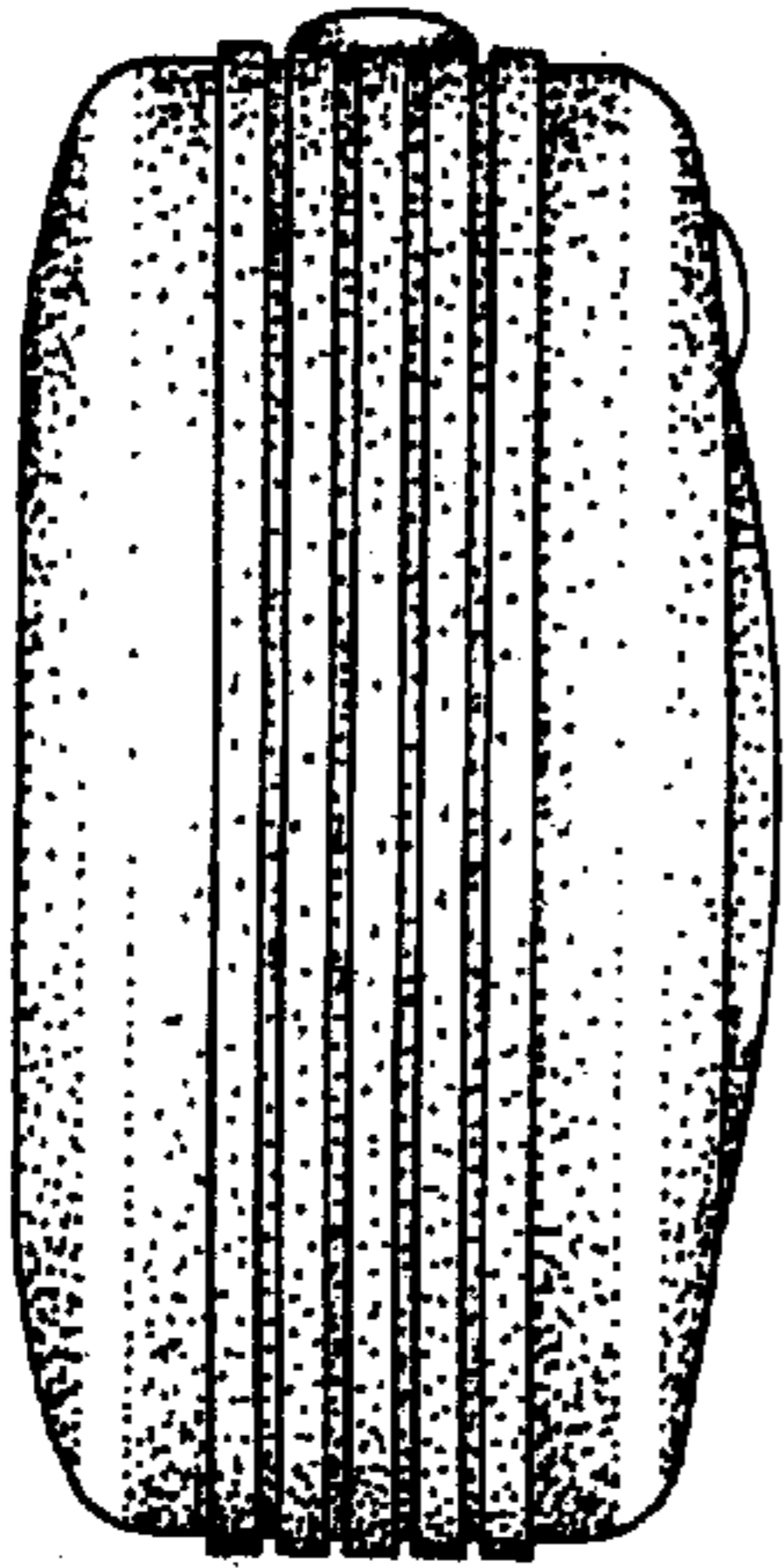


FIG. 6

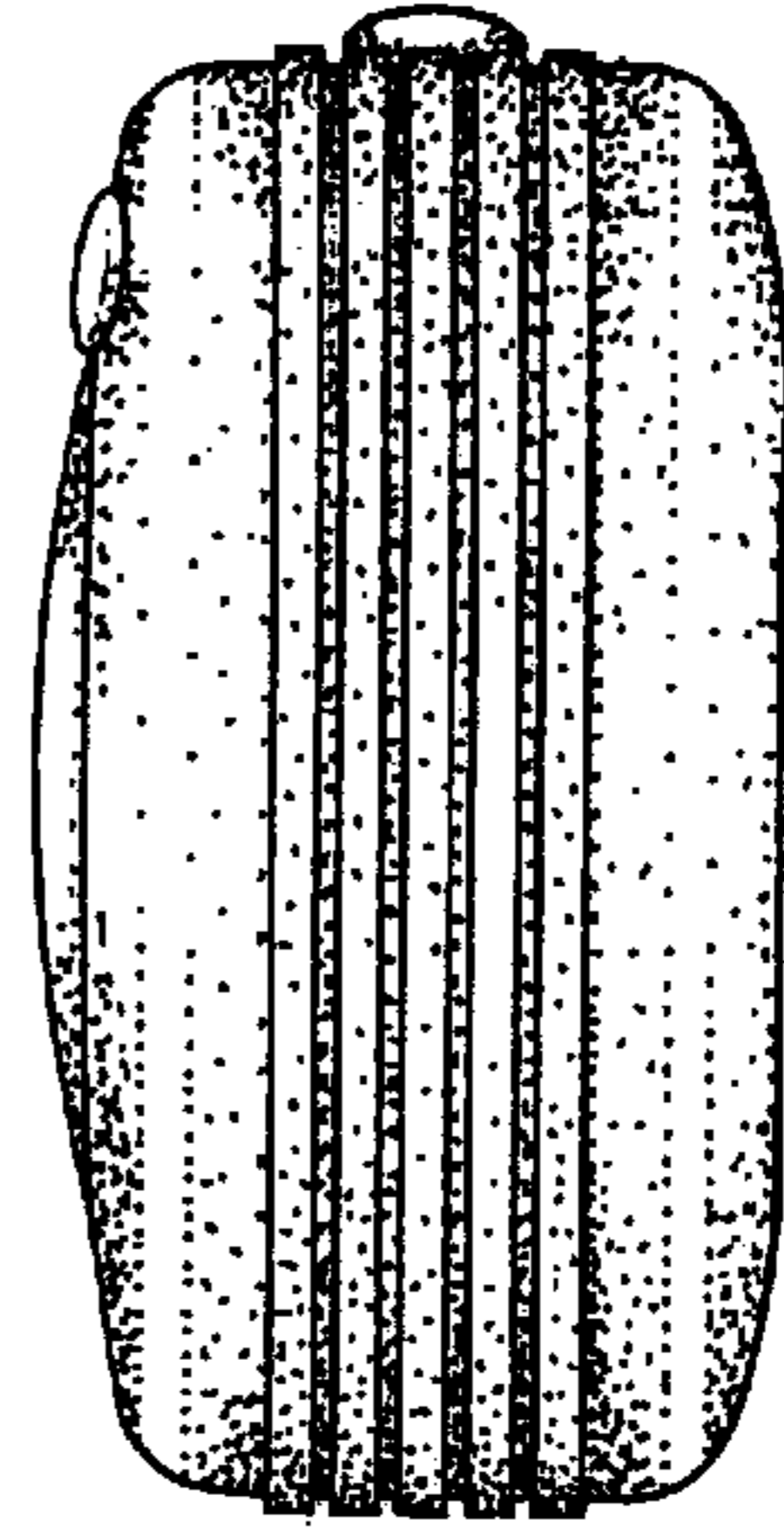


FIG. 7

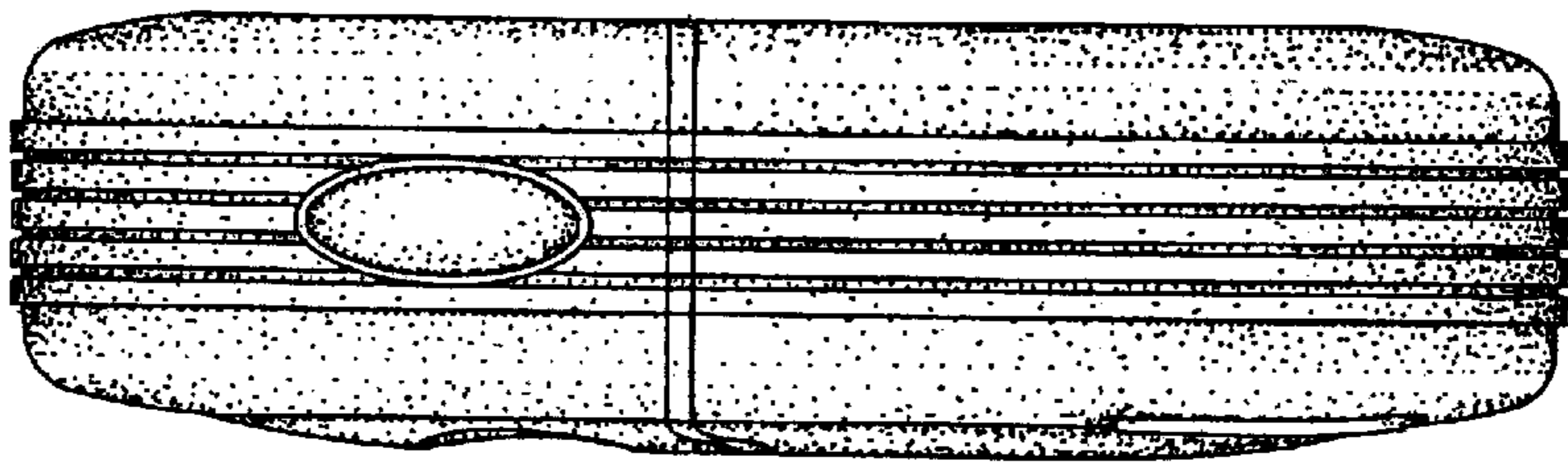


FIG. 8

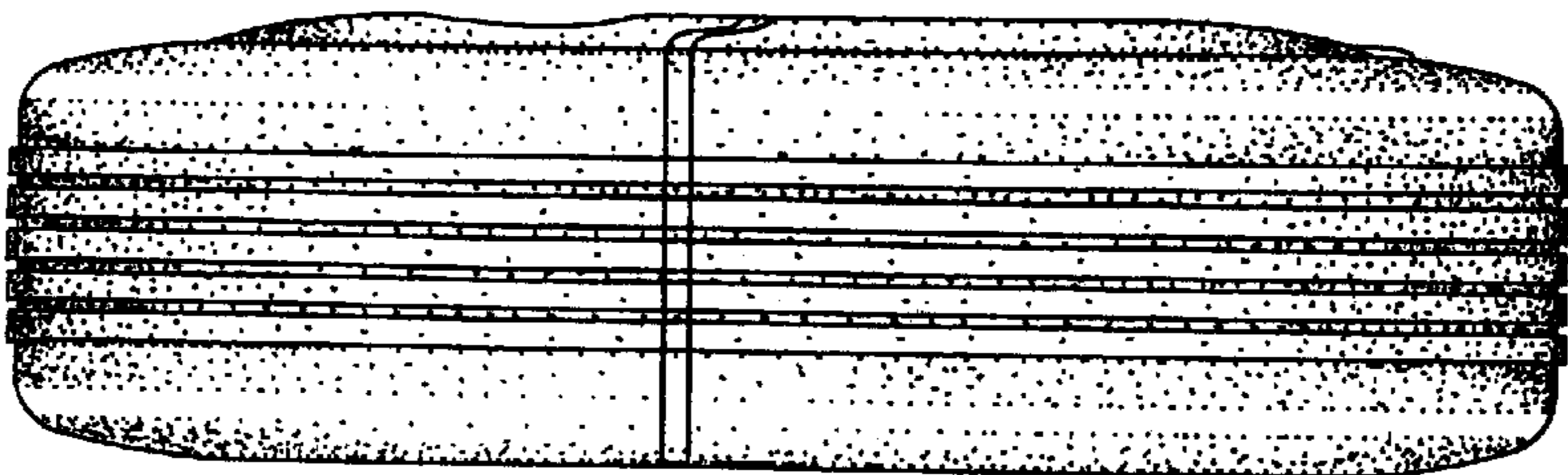


FIG. 9

