



US00D444486S

(12) **United States Design Patent**  
**Biller**

(10) **Patent No.:** **US D444,486 S**

(45) **Date of Patent:** **\*\* Jul. 3, 2001**

(54) **CHIPPER KNIFE**

6,142,197 \* 11/2000 Kokko ..... 144/176

(75) Inventor: **Sven-Olov Biller**, Hudiksvall (SE)

**FOREIGN PATENT DOCUMENTS**

(73) Assignee: **Iggesund AB**, Iggesund (SE)

9200567 2/1992 (SE) .

(\*\*) Term: **14 Years**

\* cited by examiner

(21) Appl. No.: **29/114,328**

*Primary Examiner*—Antoine Duval Davis

(22) Filed: **Nov. 23, 1999**

(74) *Attorney, Agent, or Firm*—Fitzpatrick, Cella, Harper & Scinto

(30) **Foreign Application Priority Data**

May 25, 1998 (SE) ..... 9901871

(51) **LOC (7) Cl.** ..... **15-09**

(52) **U.S. Cl.** ..... **D15/139**

(58) **Field of Search** ..... D15/138, 139;  
144/176, 241, 240 F, 218

(57) **CLAIM**

The ornamental design for a chipper knife, as shown and described.

**DESCRIPTION**

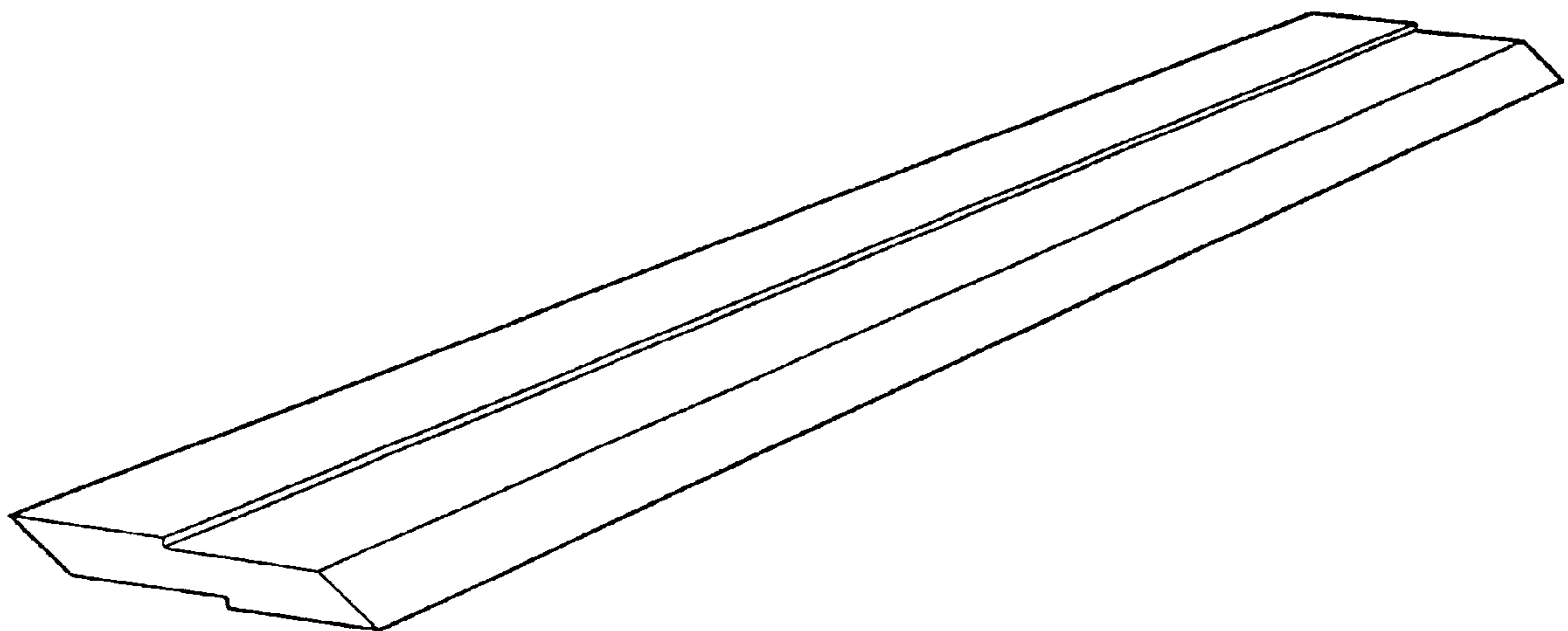
(56) **References Cited**

**U.S. PATENT DOCUMENTS**

- D. 370,611 \* 6/1996 Frick et al. .... D15/139 X
- 4,047,670 9/1977 Svensson ..... 241/92
- 4,545,413 10/1985 Sundberg et al. .... 144/176
- 4,969,605 11/1990 Morin ..... 241/192
- 5,501,256 3/1996 Dyer et al. .... 144/241
- 5,649,579 7/1997 Kokko et al. .... 144/176

FIG. 1 is a top plan view of one embodiment of a chipper knife showing my new design;  
 FIG. 2 is a bottom view thereof;  
 FIG. 3 is an end view thereof;  
 FIG. 4 is a perspective view thereof;  
 FIG. 5 is a top plan view of another embodiment thereof;  
 FIG. 6 is a bottom view of the embodiment of FIG. 5;  
 FIG. 7 is an end view of the embodiment of FIG. 5; and,  
 FIG. 8 is a perspective view of the embodiment of FIG. 5.

**1 Claim, 4 Drawing Sheets**



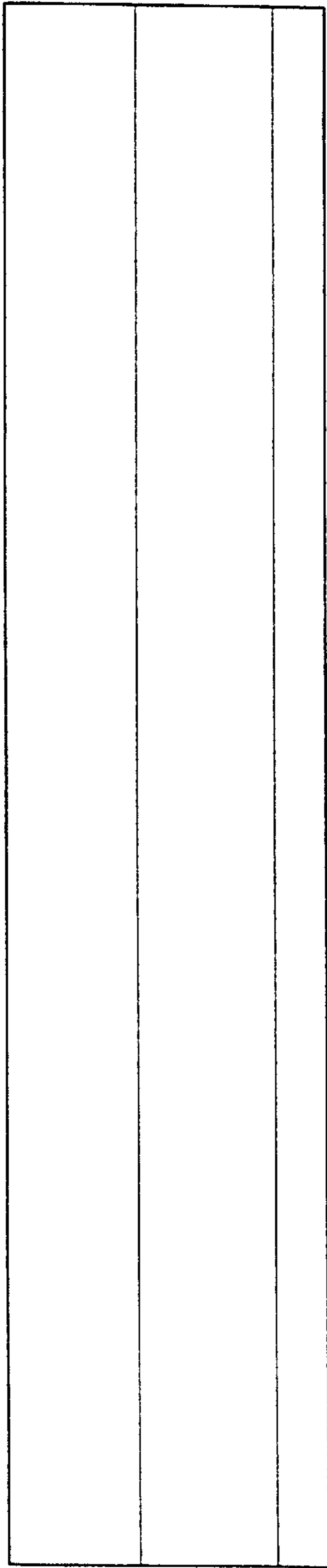


FIG. 1

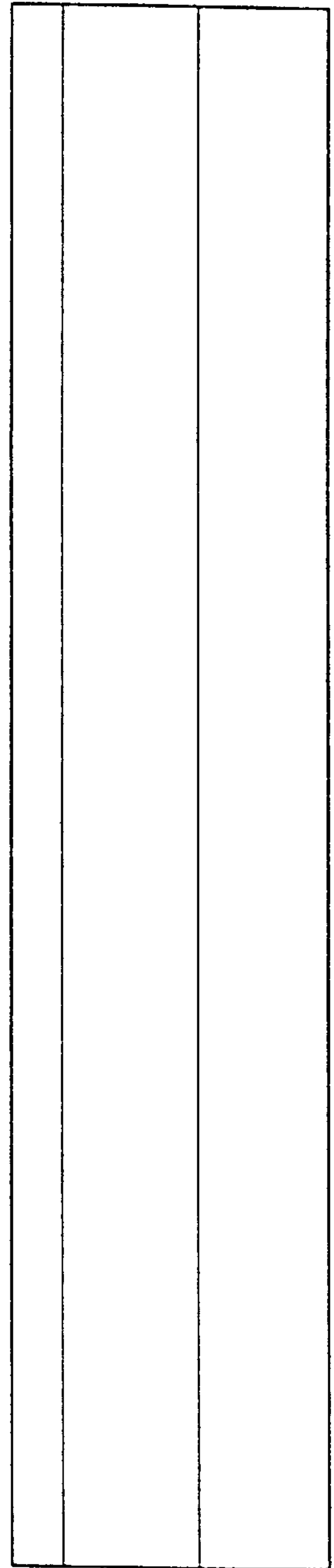


FIG. 2

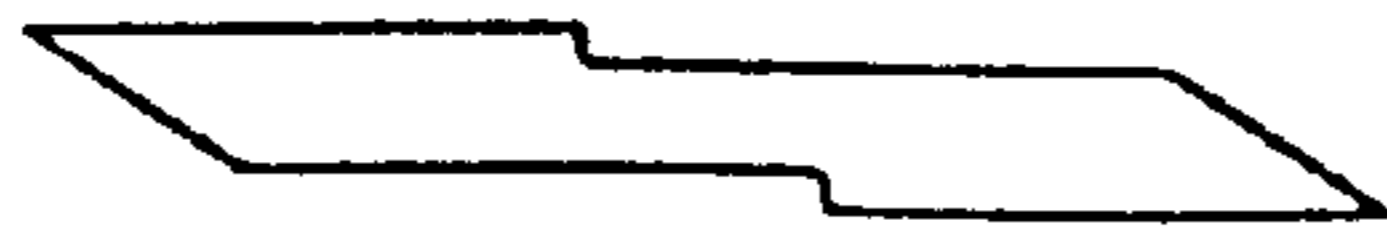


FIG. 3

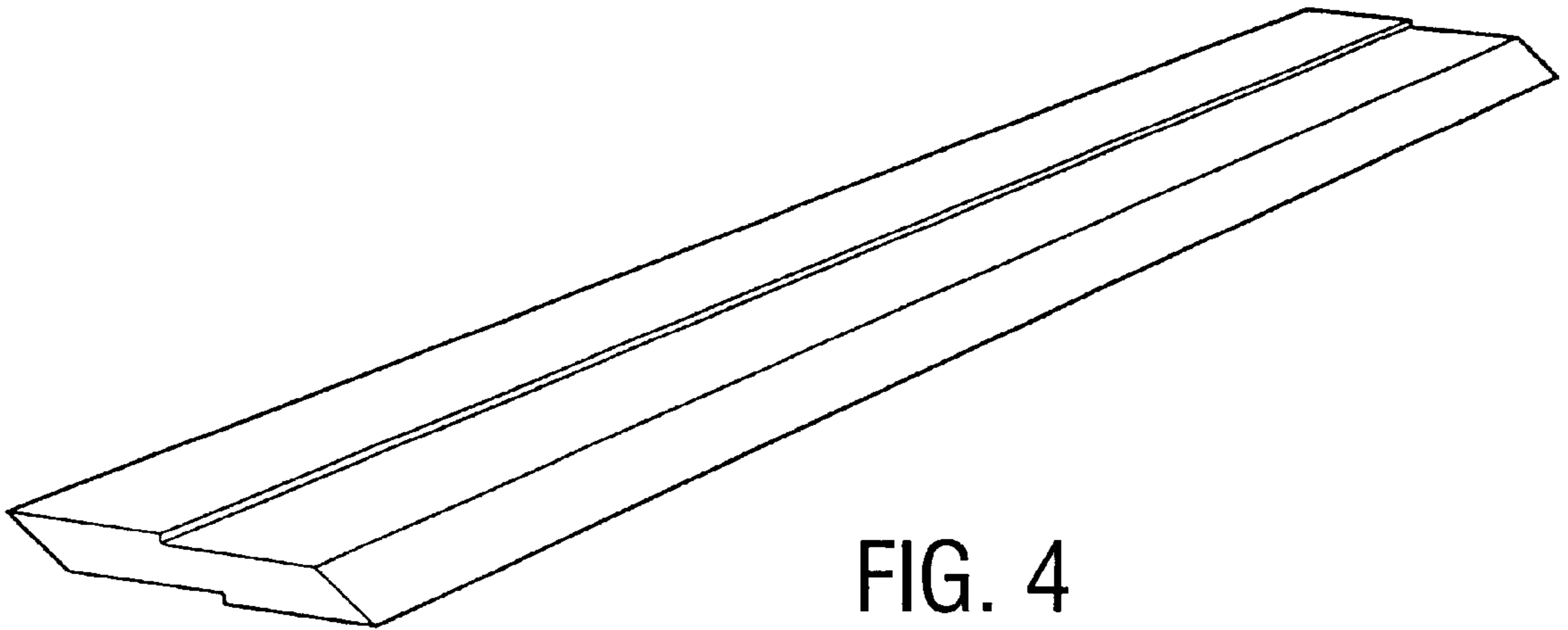


FIG. 4

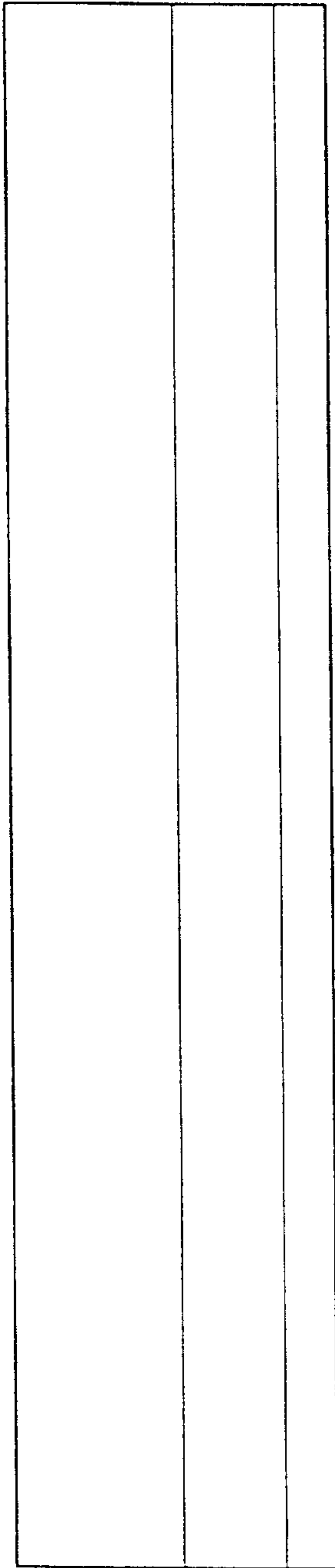


FIG. 5

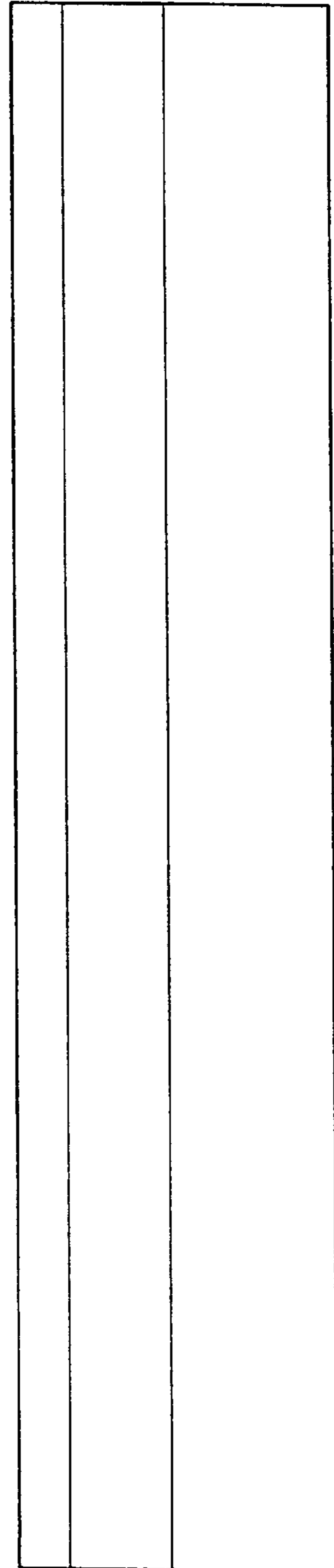


FIG. 6



FIG. 7

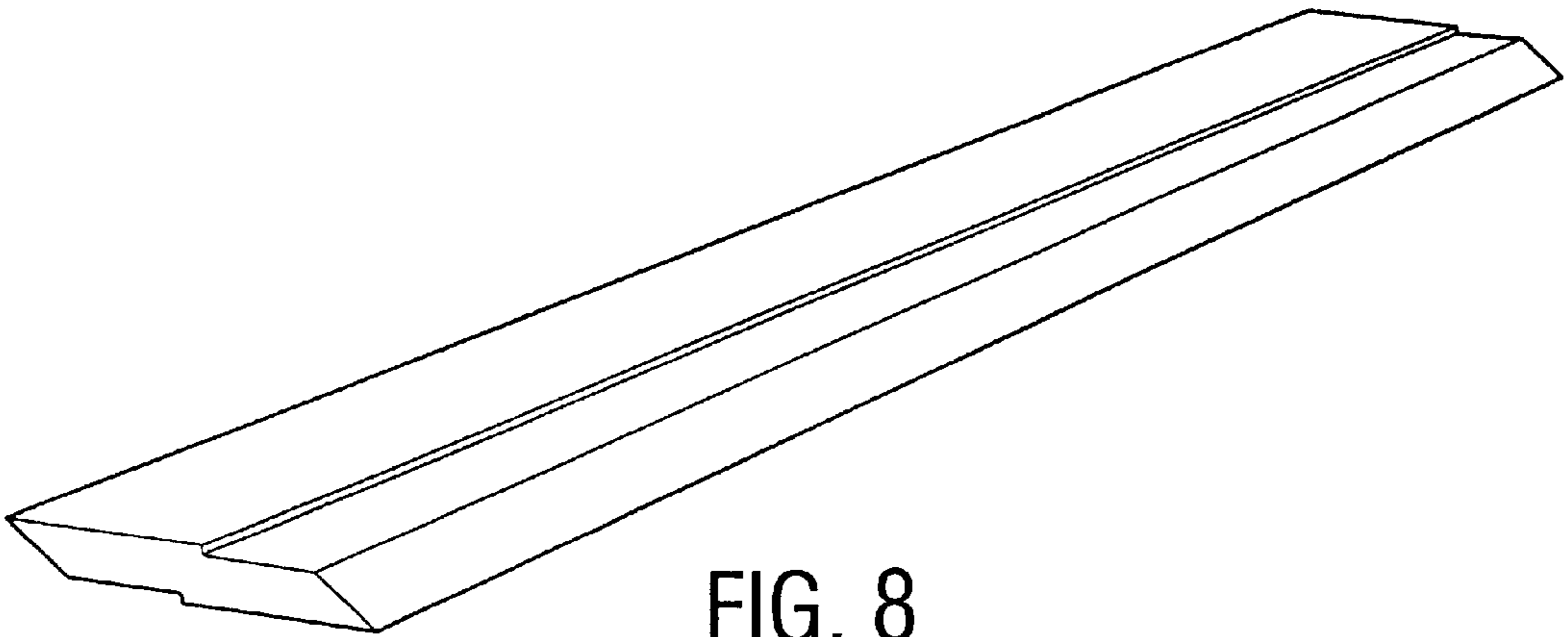


FIG. 8