



US00D444485S

(12) **United States Design Patent**
Ceroll et al.

(10) **Patent No.: US D444,485 S**

(45) **Date of Patent: ** Jul. 3, 2001**

(54) **CUTTING TOOL GUARD FOR A TABLE SAW**

(56)

References Cited

(75) Inventors: **Warren A. Ceroll**, Owings Mills;
Robert S. Gehret, Hampstead; **Daniel Puzio**, Baltimore; **Frederick R. Bean**, Finksburg; **Michael L. O'Banion**, Westminster, all of MD (US); **David A. Porter**, Hanover, PA (US); **Daniel A. Ferrara, Jr.**, Bantam, CT (US)

U.S. PATENT DOCUMENTS

D. 354,757 * 1/1995 Wixey D15/133
5,116,249 * 5/1992 Shiotani et al. 83/468.7 X
5,230,269 * 7/1993 Shiotani et al. 83/468.7

* cited by examiner

Primary Examiner—Antoine Duval Davis

(74) *Attorney, Agent, or Firm*—Adan Ayala

(73) Assignee: **Black & Decker Inc.**, Newark, DE (US)

(**) Term: **14 Years**

(57) **CLAIM**

The ornamental design for a cutting tool guard for a table saw, as shown and described.

(21) Appl. No.: **29/126,986**

(22) Filed: **Jul. 27, 2000**

DESCRIPTION

Related U.S. Application Data

(63) Continuation of application No. 29/118,568, filed on Feb. 9, 2000, which is a continuation of application No. 29/096,838, filed on Nov. 20, 1998, now Pat. No. Des. 414,786, which is a continuation of application No. 29/090,751, filed on Jul. 15, 1998, now Pat. No. Des. 407,725, which is a continuation of application No. 29/083,053, filed on Jan. 20, 1998, now Pat. No. Des. 410,474, which is a continuation of application No. 29/070,477, filed on May 8, 1997, now Pat. No. Des. 395,322, which is a continuation of application No. 29/057,853, filed on Aug. 1, 1996, now Pat. No. Des. 394,071, which is a continuation of application No. 29/051,851, filed on Mar. 1, 1996, now abandoned.

FIG. 1 is a front elevational view of a cutting tool guard for a table saw showing our new design.

FIG. 2 is a right side elevational of the cutting tool guard.

FIG. 3 is a rear elevational of the cutting tool guard.

FIG. 4 is a left side elevational of the cutting tool guard.

FIG. 5 is a front perspective view from the left side of the cutting tool guard.

FIG. 6 is a rear perspective view from the right side of the cutting tool guard; and,

FIG. 7 is a top plan view of the cutting tool guard.

In the above drawing, any broken line illustration is not part of the design sought to be patented. In addition, any views not shown thereof do not form a part of the invention.

(51) **LOC (7) Cl.** **15-09**

(52) **U.S. Cl.** **D15/133**

(58) **Field of Search** D15/133; 83/432,
83/435, 468.7, 468.3, 477, 477.2, 478,
522.3, 522.1; 269/318, 165, 180

1 Claim, 7 Drawing Sheets

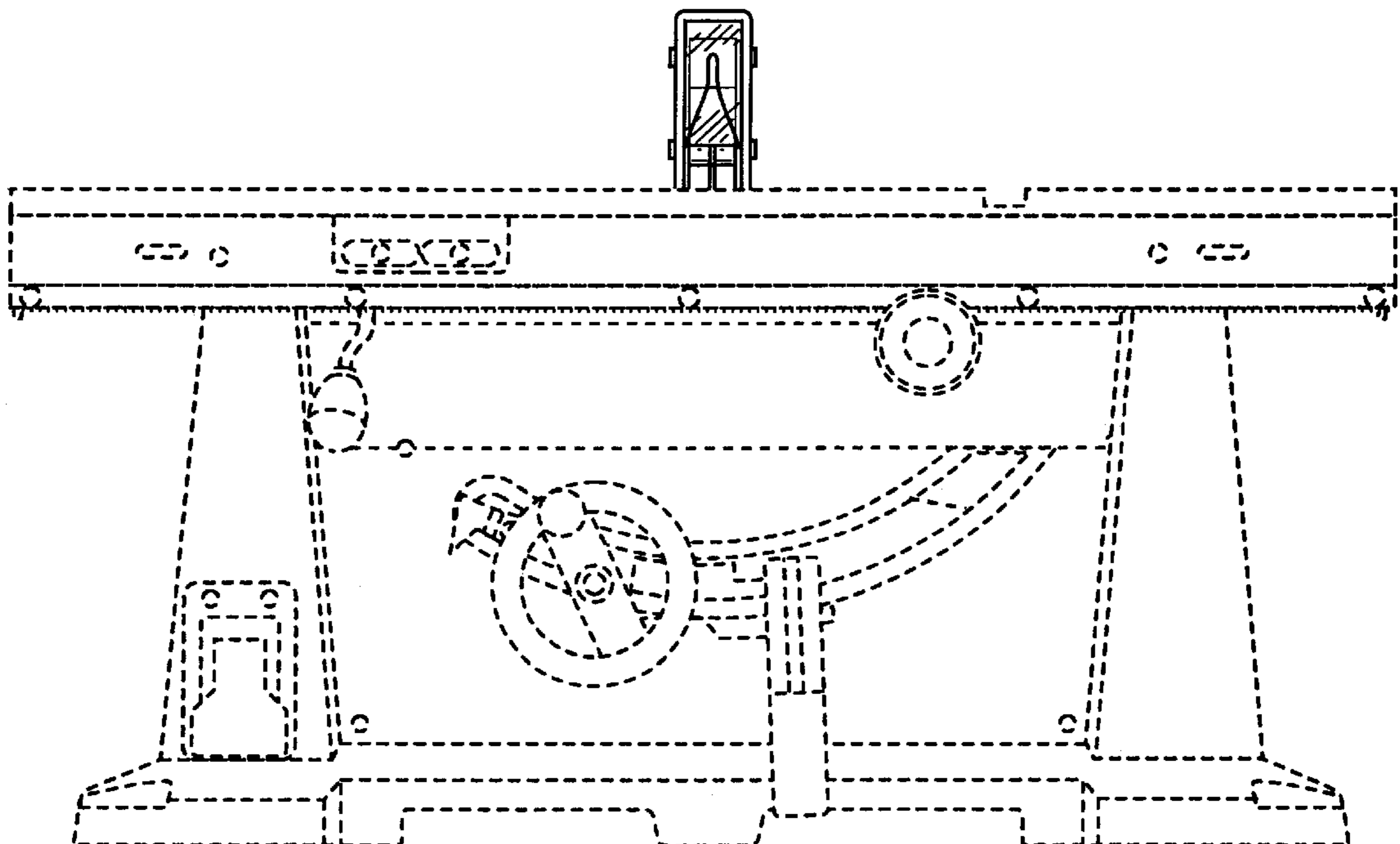


FIG. 1

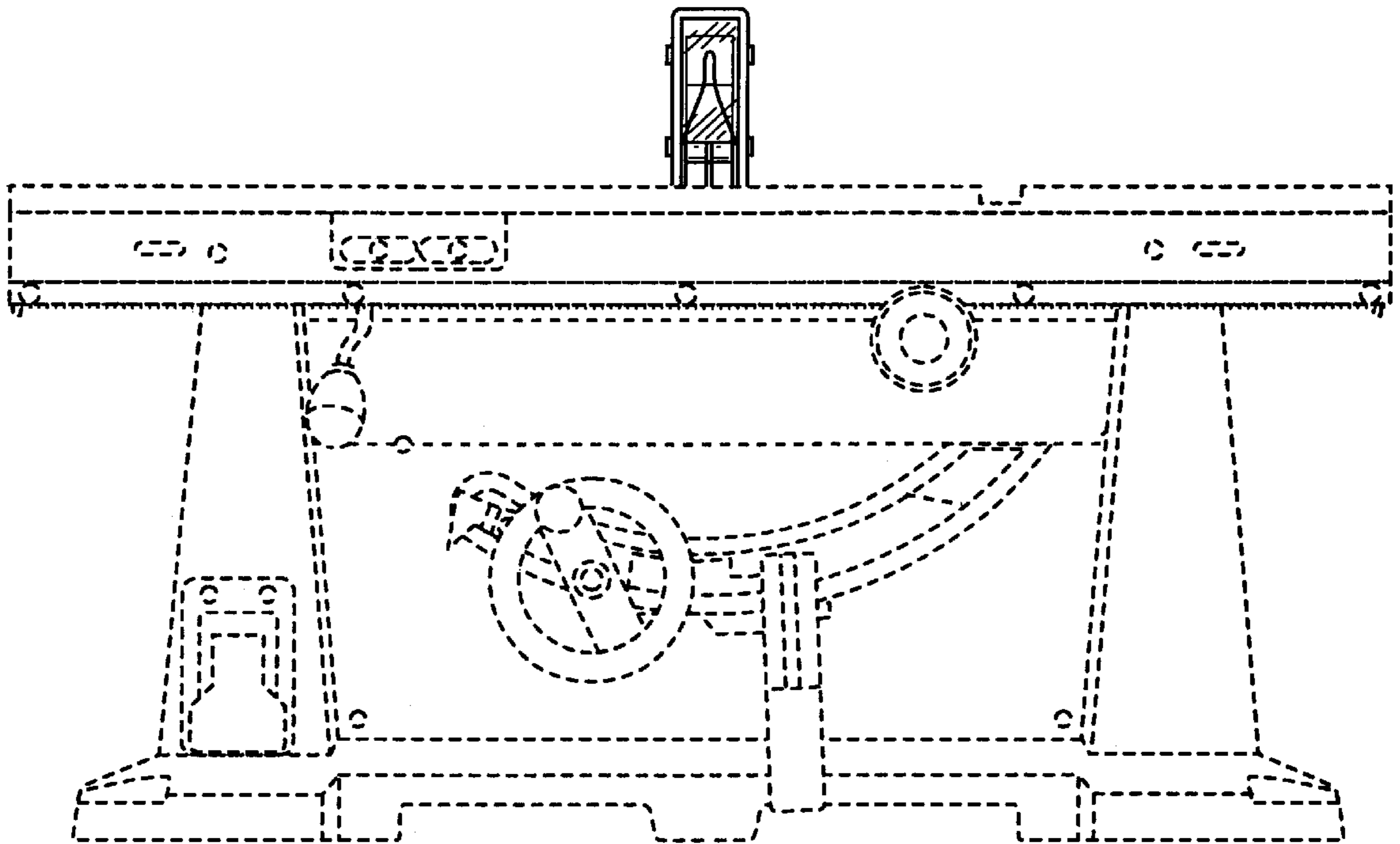


FIG. 2

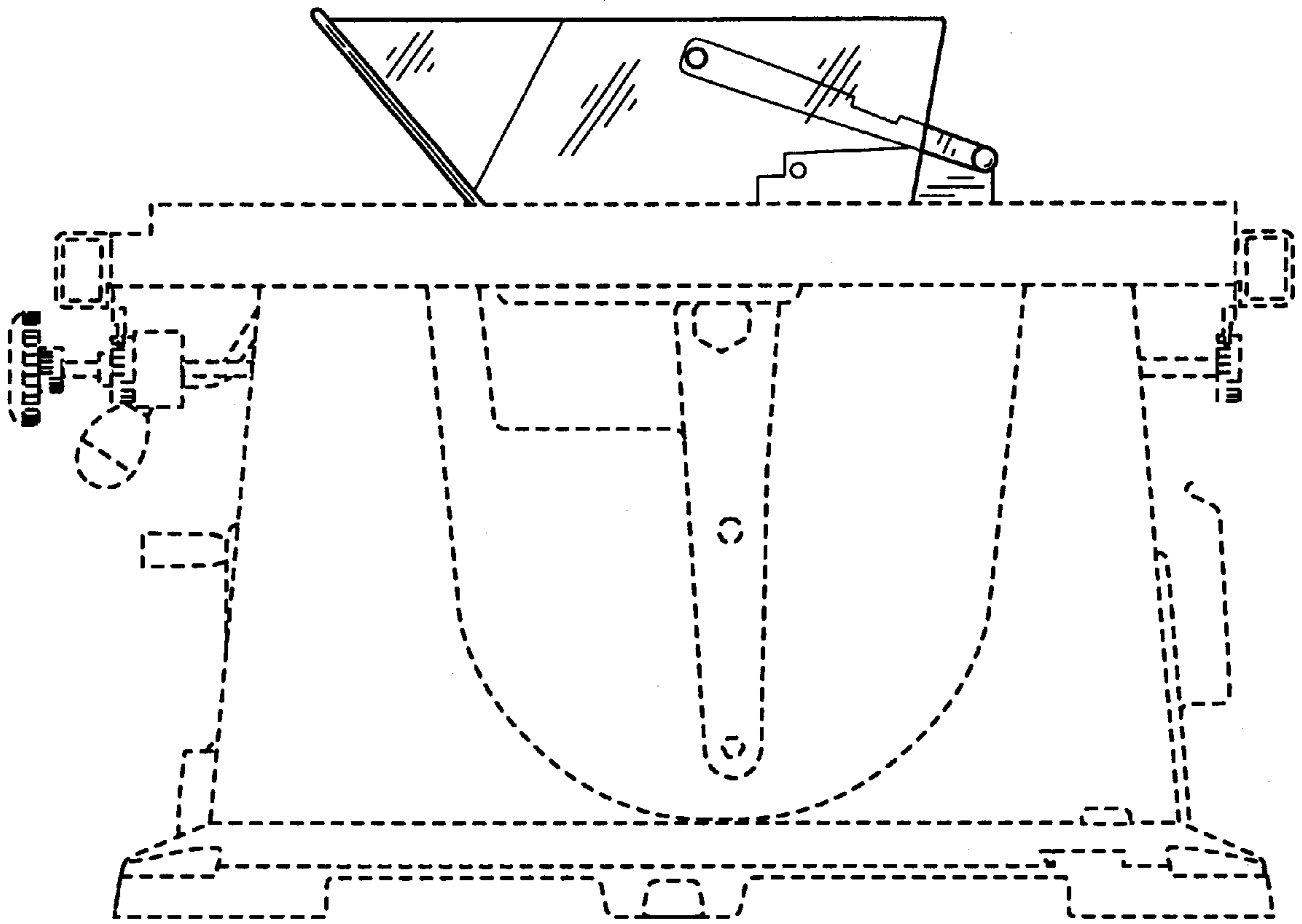


FIG. 3

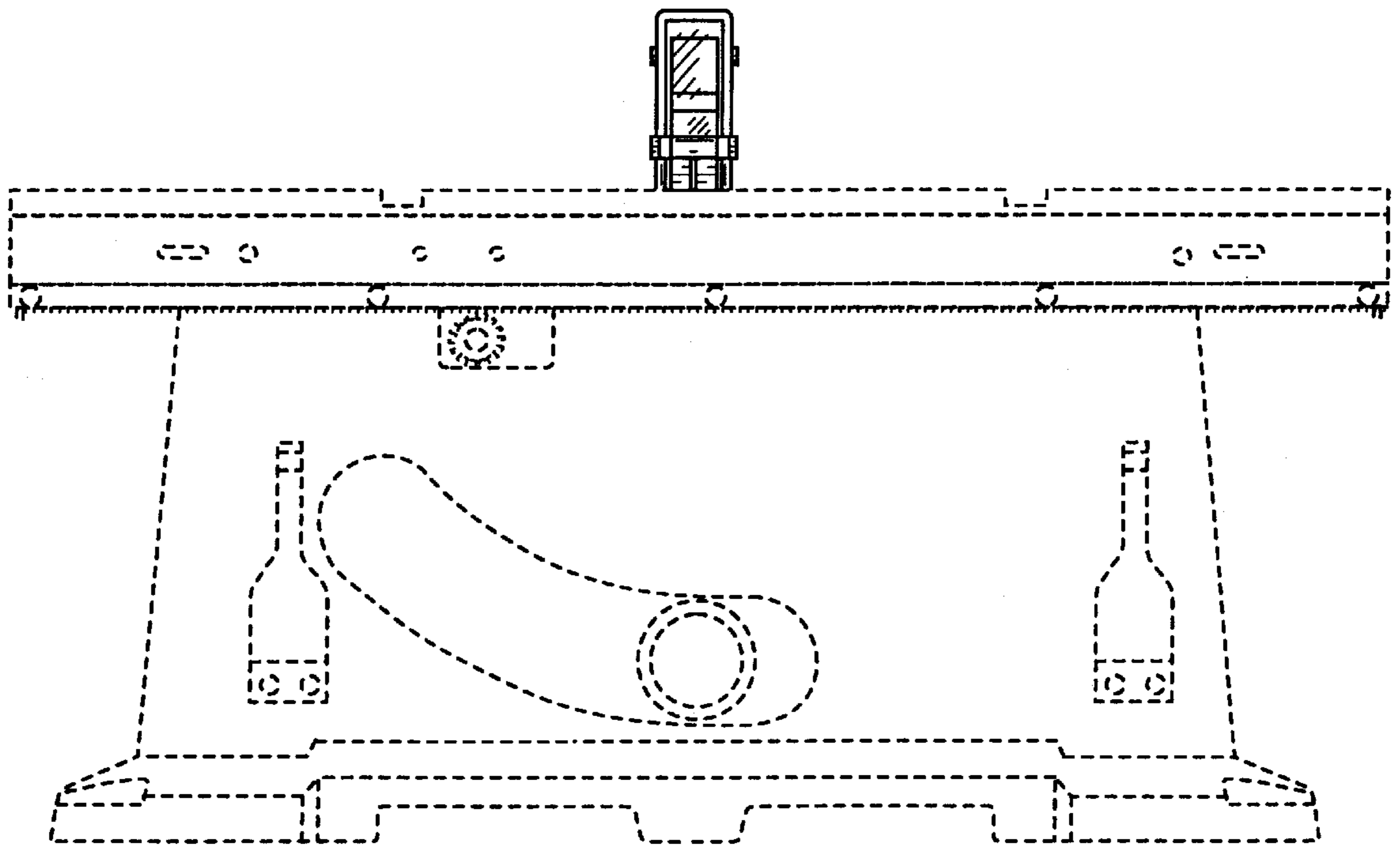


FIG. 4

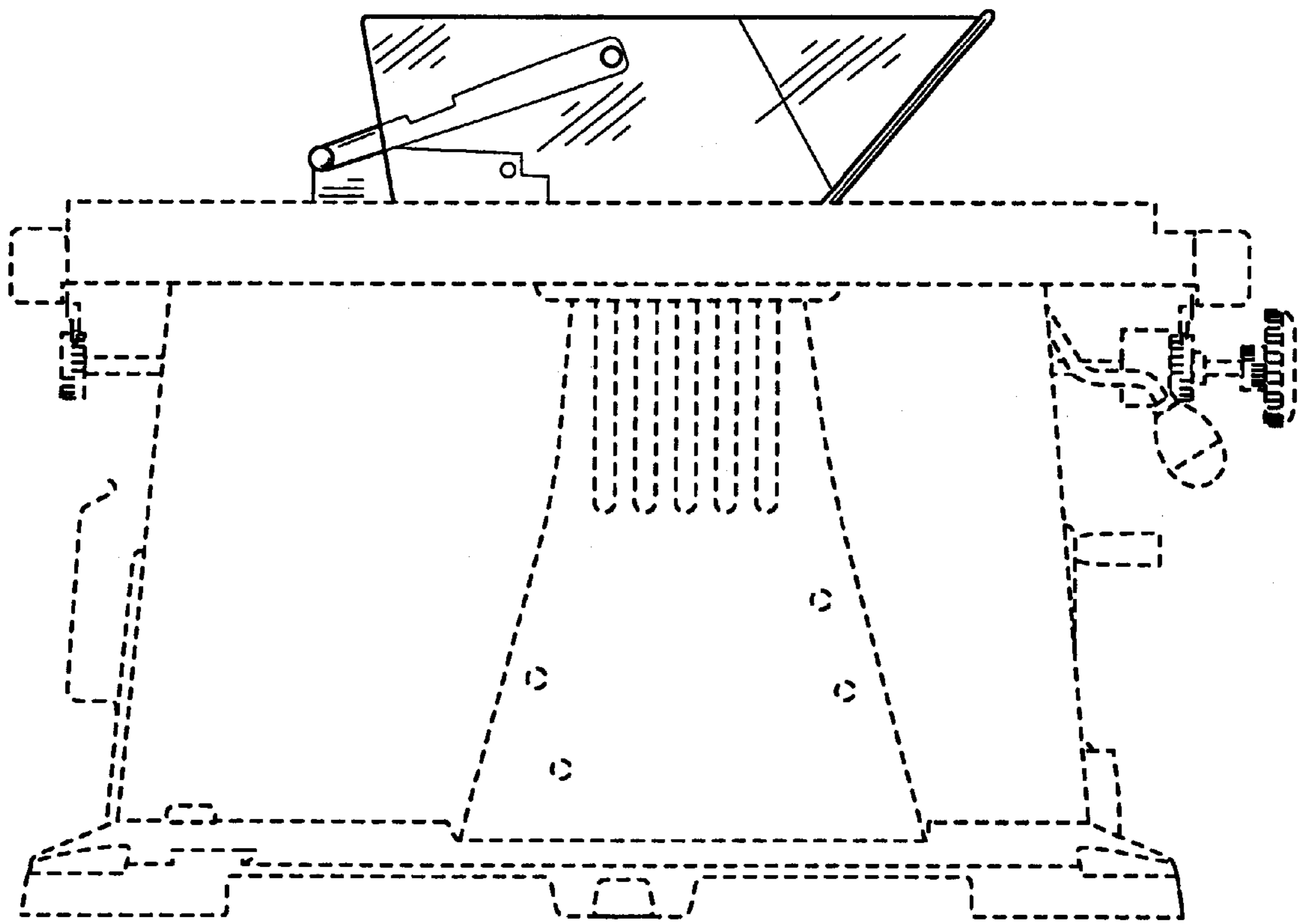


FIG. 5

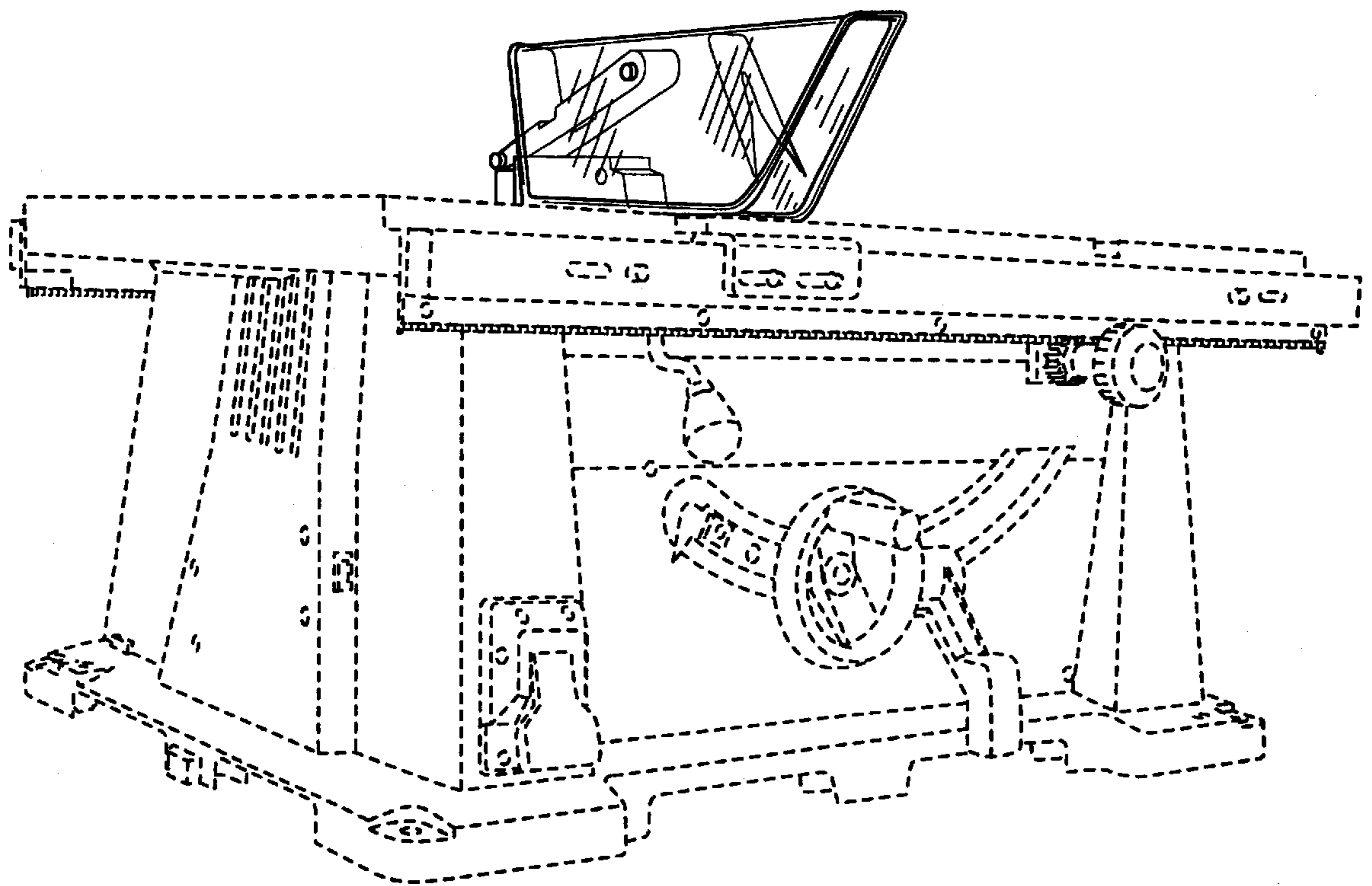


FIG. 6

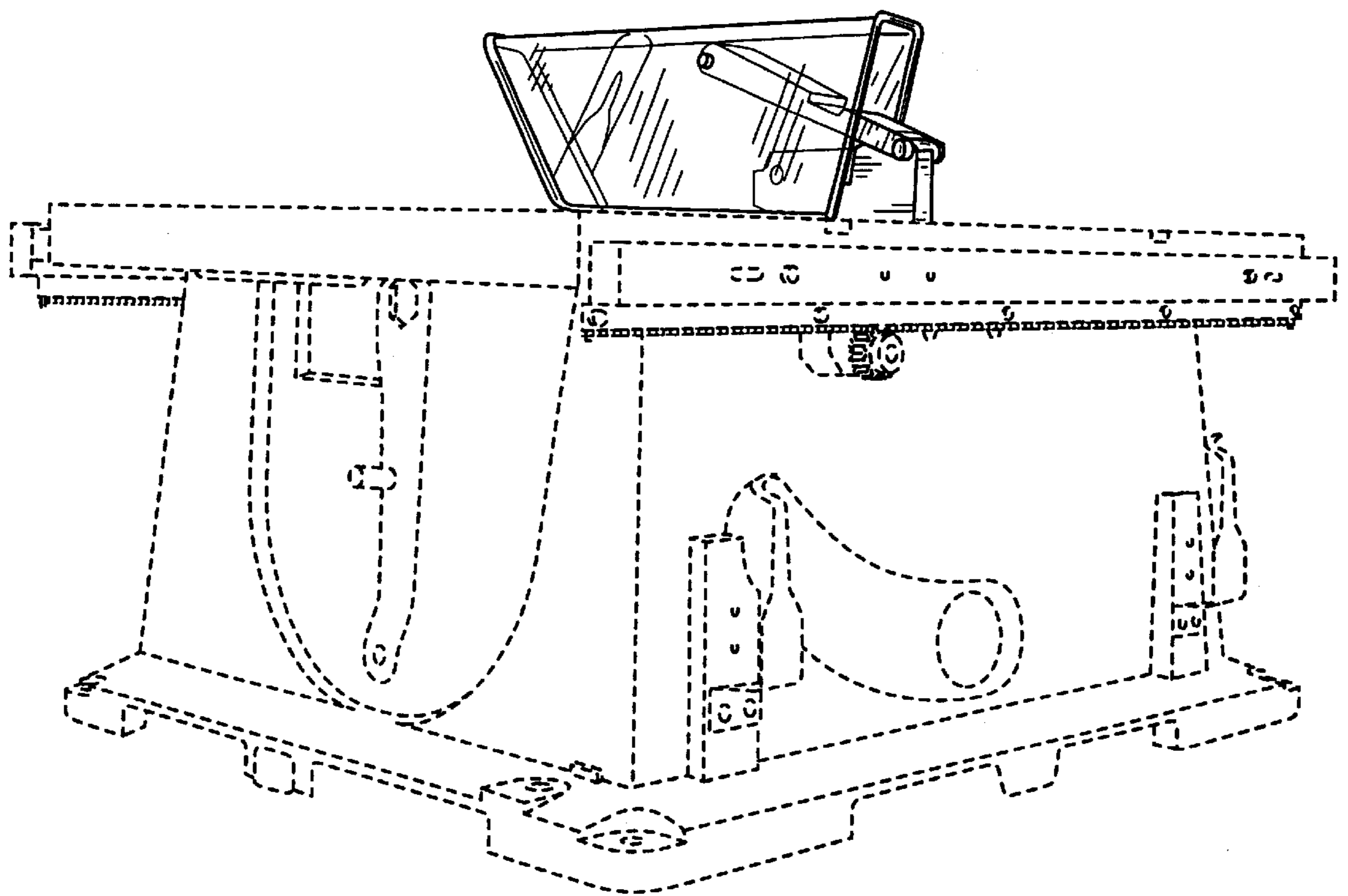


FIG. 7

