



US00D444484S

(12) **United States Design Patent**  
**Rettenweber**

(10) **Patent No.:** **US D444,484 S**

(45) **Date of Patent:** **\*\* Jul. 3, 2001**

(54) **JOINT CUTTER**

(75) Inventor: **Alfred Rettenweber**, München (DE)

(73) Assignee: **Wacker-Werke GmbH & Co. KG**  
(DE)

(\*\*) Term: **14 Years**

(21) Appl. No.: **29/124,669**

(22) Filed: **Jun. 9, 2000**

(30) **Foreign Application Priority Data**

Dec. 10, 1999 (XH) ..... DM/050 581

(51) **LOC (7) Cl.** ..... **15-09**

(52) **U.S. Cl.** ..... **D15/127**

(58) **Field of Search** ..... D15/127; 299/10,  
299/39.6; 404/90; 144/24.12, 334; 37/302

(56) **References Cited**

**U.S. PATENT DOCUMENTS**

D. 433,428 \* 11/2000 Pullen ..... D15/127  
4,690,183 \* 9/1987 Eilertson ..... 144/24.12

\* cited by examiner

*Primary Examiner*—Antoine Duval Davis  
(74) *Attorney, Agent, or Firm*—D. Peter Hochberg;  
Katherine R. Vieyra; William H. Holt

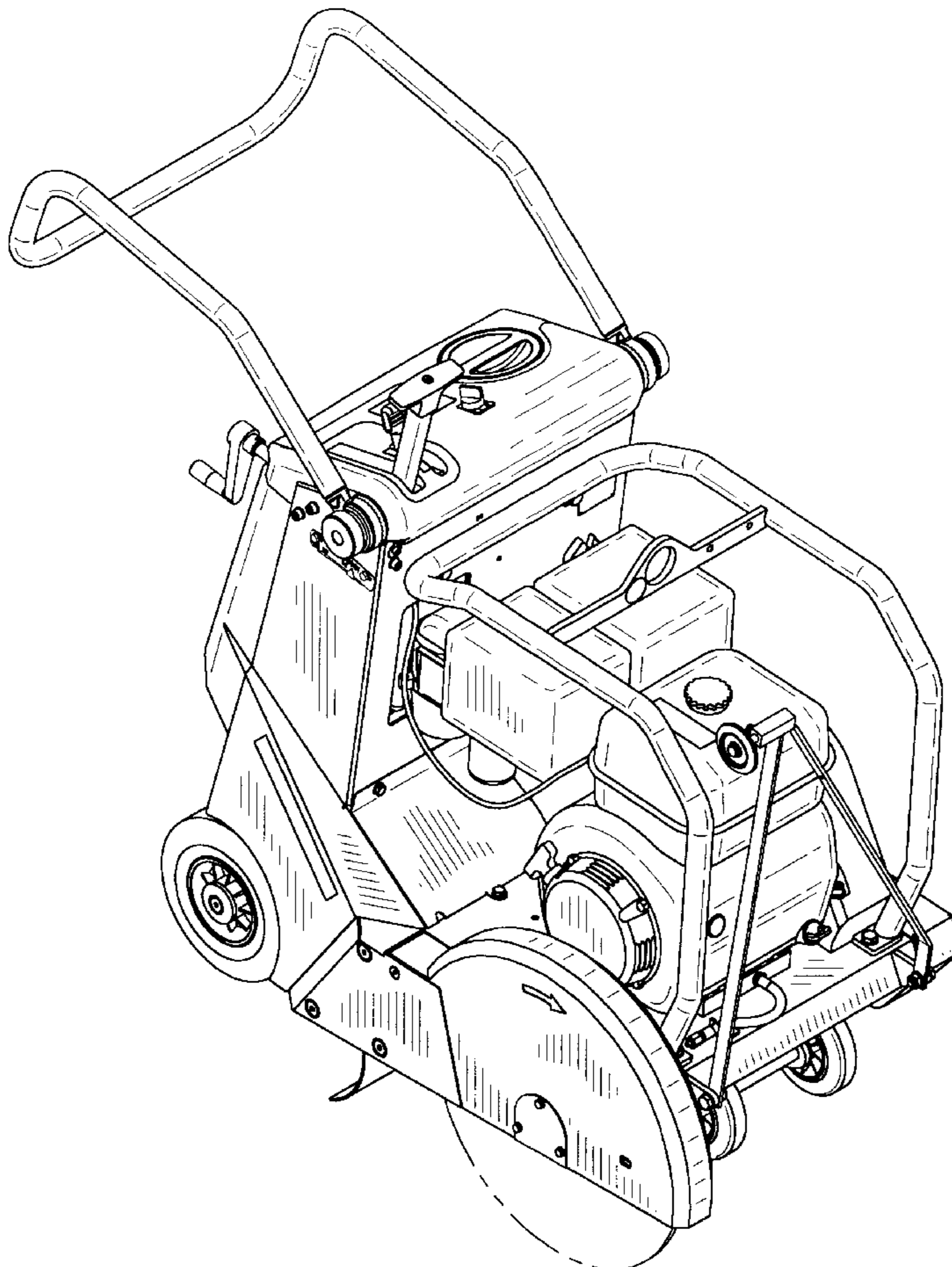
(57) **CLAIM**

The ornamental design for a joint cutter, as shown and described.

**DESCRIPTION**

FIG. 1 is a side view of the joint cutter to the invention; FIG. 2 is an opposite side view of the joint cutter as shown in FIG. 1; FIG. 3 is a front view of the joint cutter as shown in FIG. 1; FIG. 4 is a top view of the joint cutter as shown in FIG. 1; FIG. 5 is a rear view of the joint cutter as shown in FIG. 1; FIG. 6 is a bottom view of the joint cutter as shown in FIG. 1; FIG. 7 is a perspective view of the joint cutter as shown in FIG. 1 as taken from one front corner of the joint cutter; and, FIG. 8 is a perspective view of the joint cutter as shown in FIG. 1 as taken from the other front corner of the joint cutter. The broken line showing is for illustrative purposes only and forms no part of the claimed design.

**1 Claim, 8 Drawing Sheets**



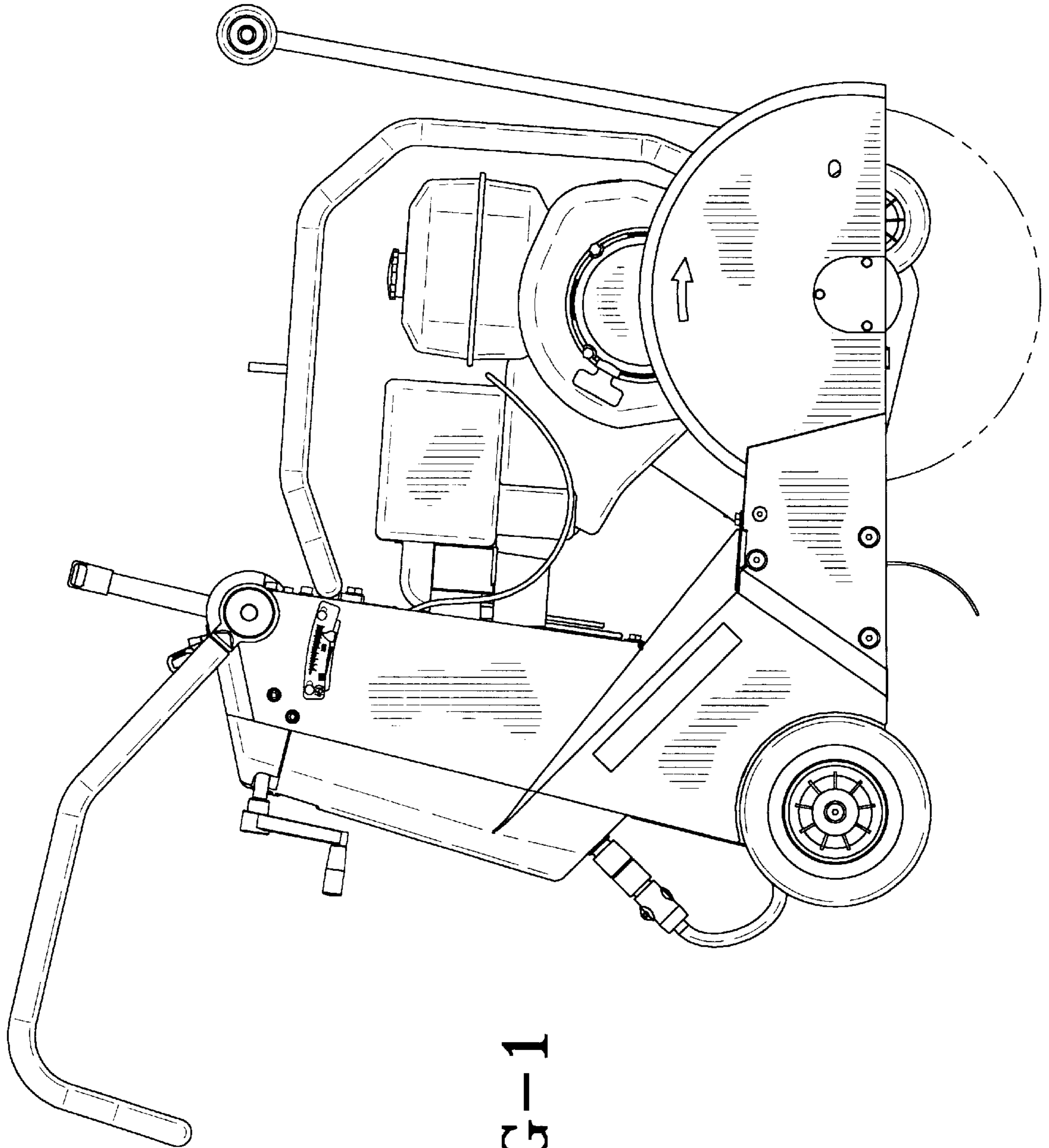
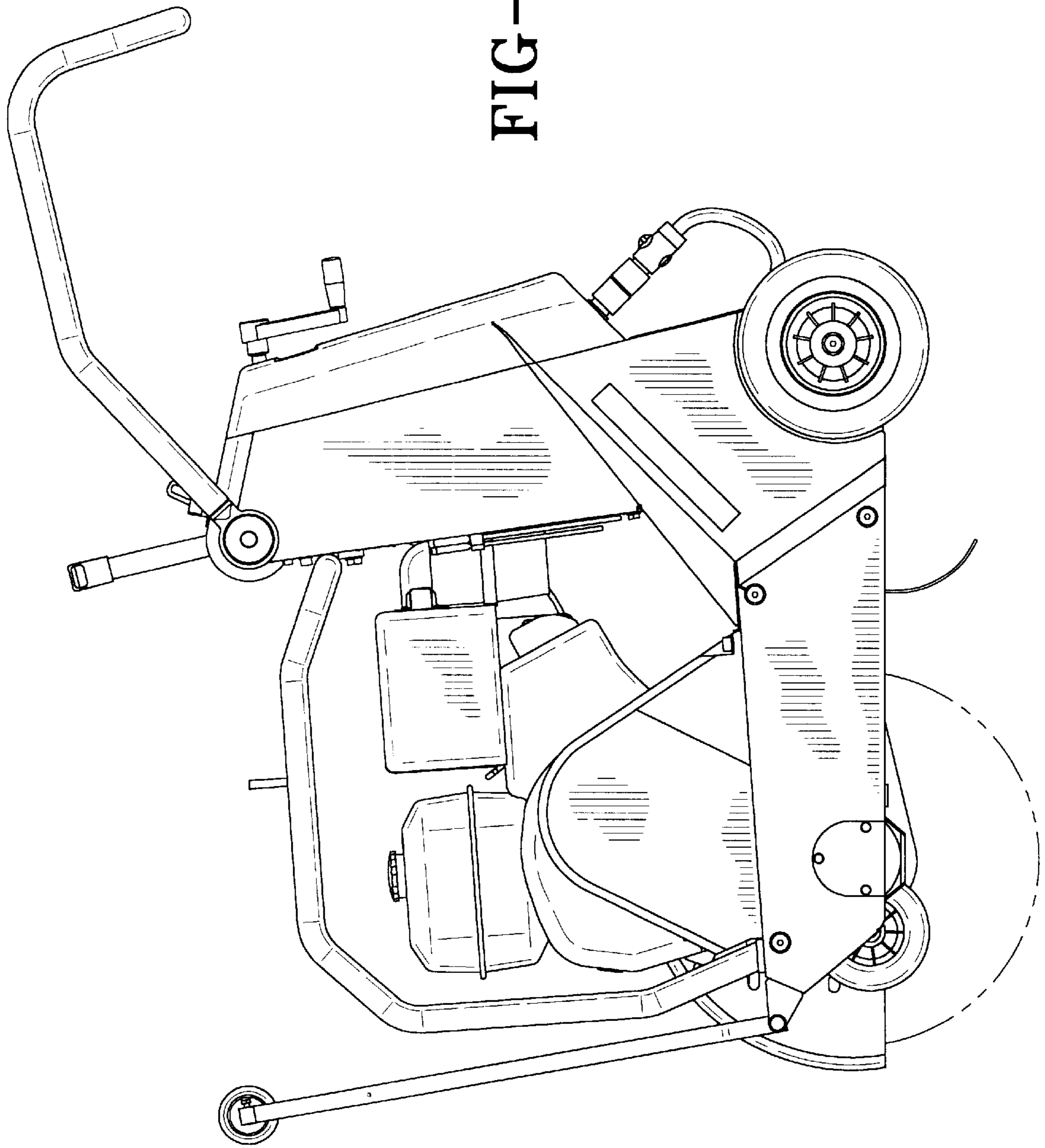


FIG-1

FIG-2



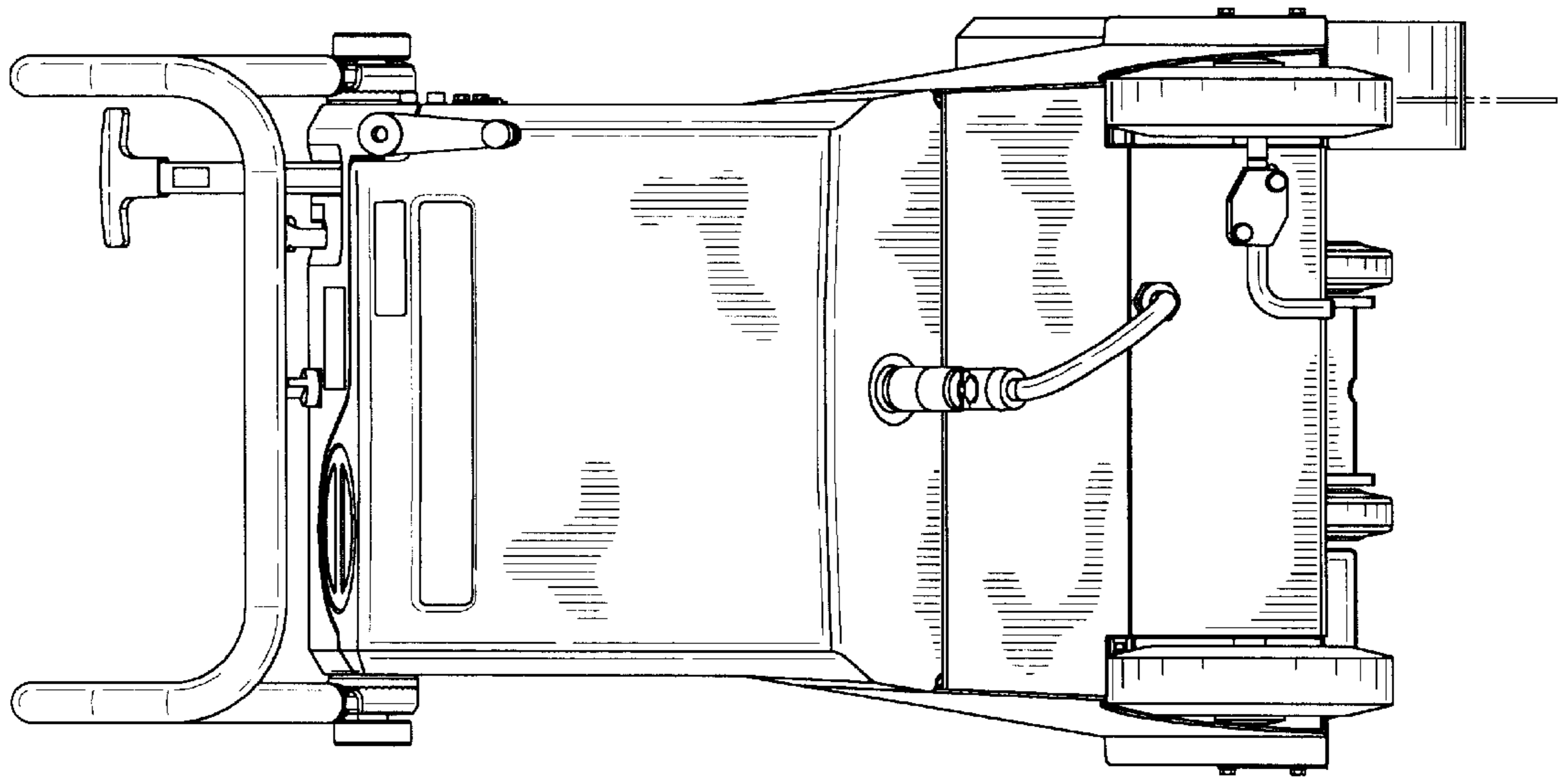


FIG-3

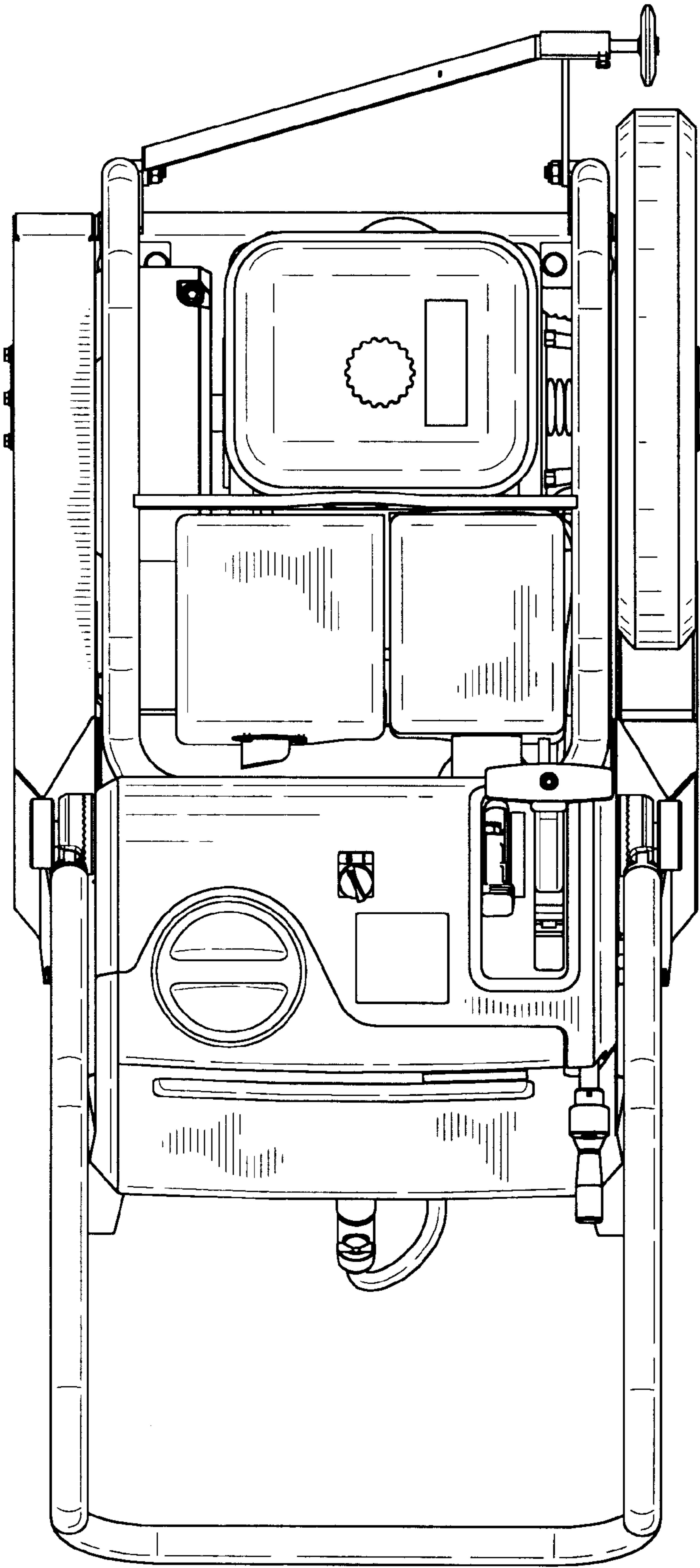
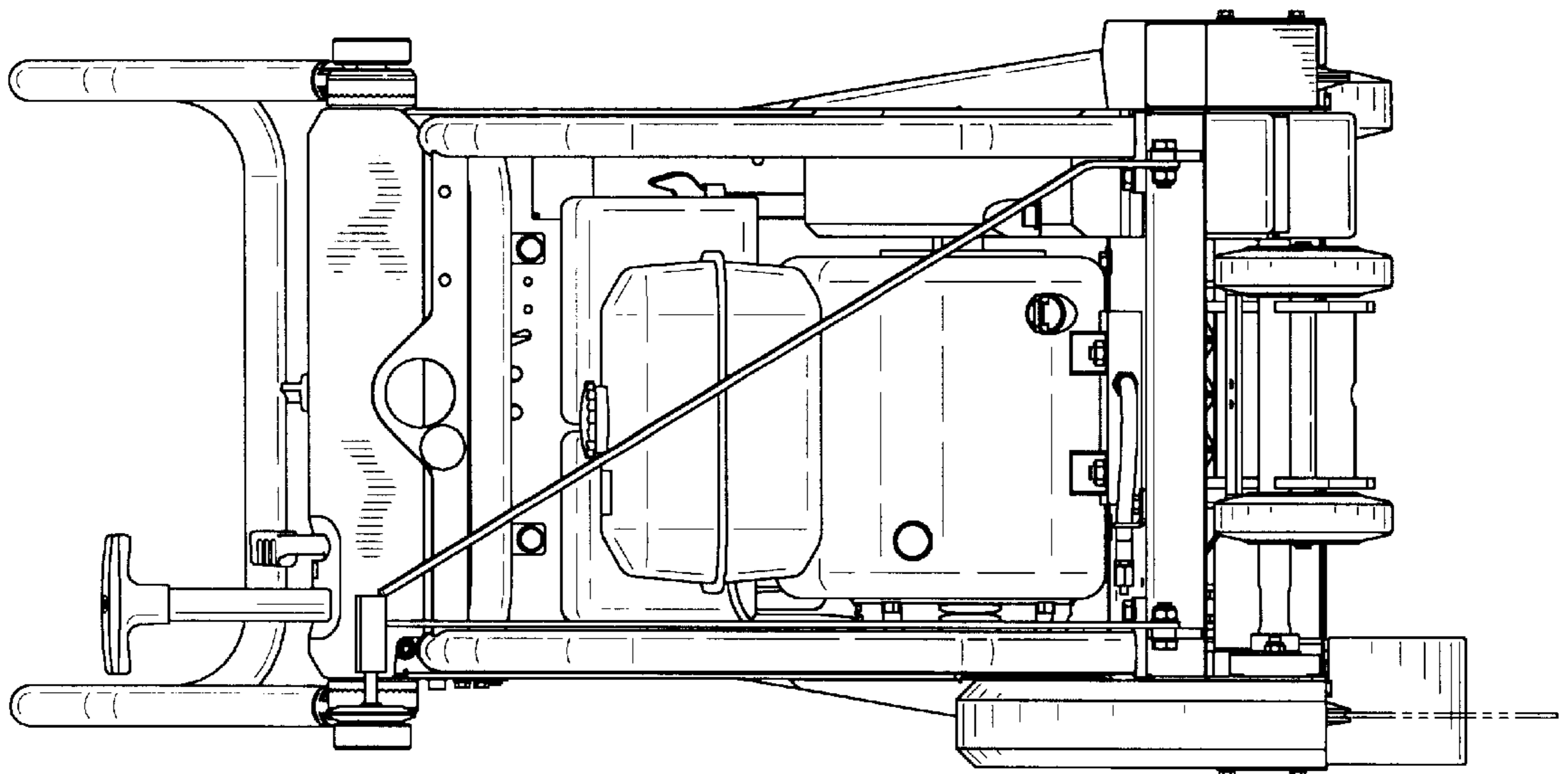


FIG-4

FIG-5



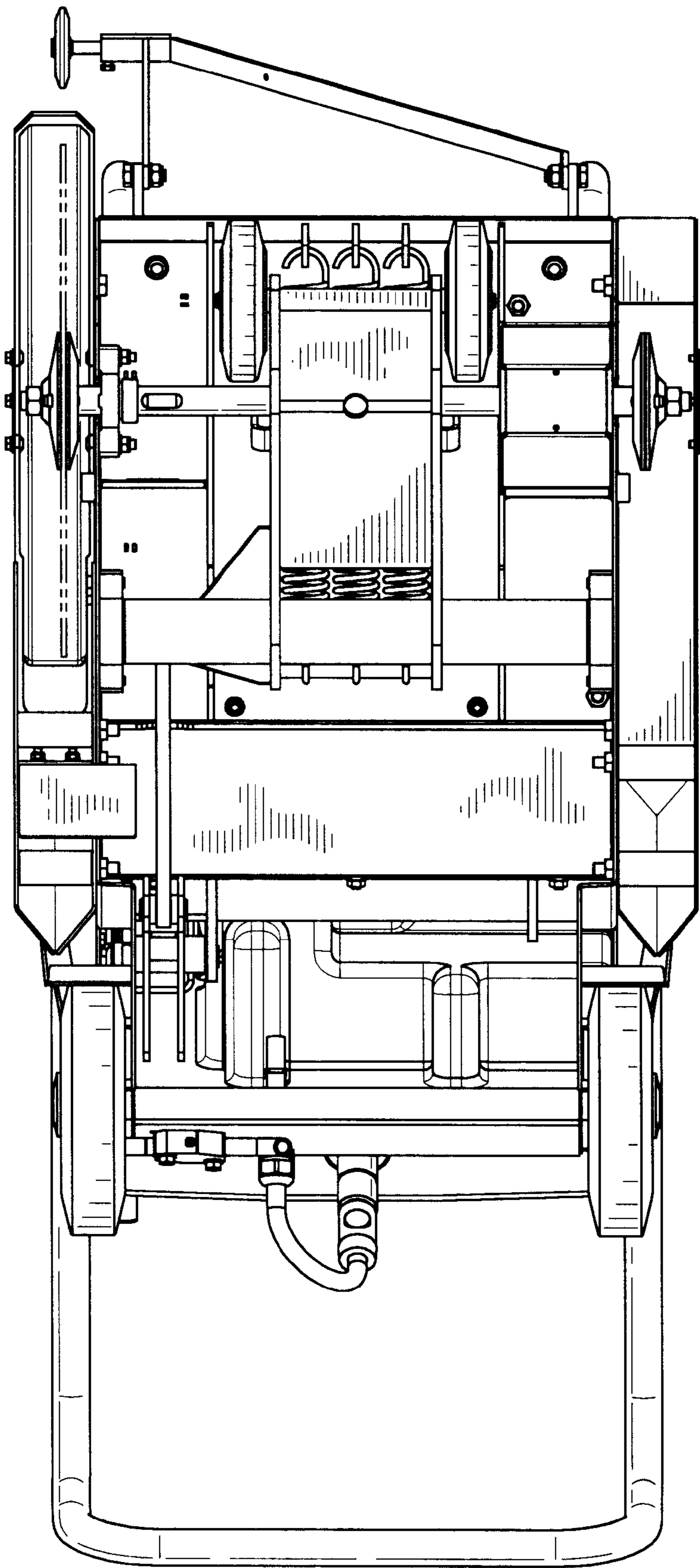


FIG-6

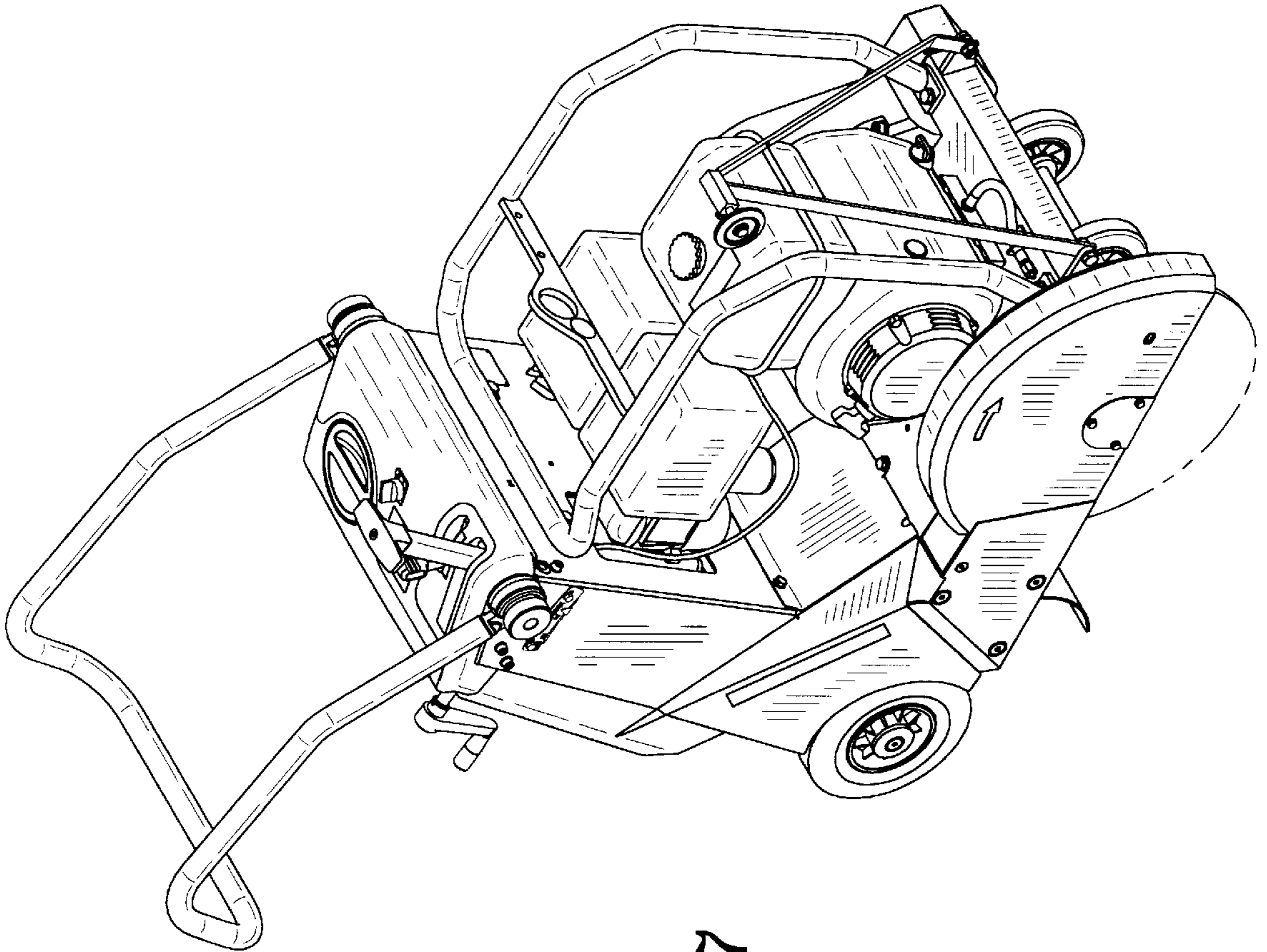


FIG-7



FIG-8

