



US00D444482S

(12) **United States Design Patent**  
**Welsh**

(10) **Patent No.:** **US D444,482 S**

(45) **Date of Patent:** **\*\* Jul. 3, 2001**

(54) **TABLES FOR A PLANER**

(56) **References Cited**

(75) **Inventor:** **Robert P. Welsh**, Hunt Valley, MD  
(US)

**U.S. PATENT DOCUMENTS**

(73) **Assignee:** **Black & Decker Inc.**, Newark, DE  
(US)

D. 394,070	*	5/1998	Garcia et al.	.....	D15/124
D. 430,175	*	8/2000	Hayakawa et al.	.....	D15/124
5,795,113	*	8/1998	Wixey et al.	.....	144/177.1 X
6,106,388	*	8/2000	Green	.....	451/299 X

(\*\*) **Term:** **14 Years**

\* cited by examiner

(21) **Appl. No.:** **29/132,328**

*Primary Examiner*—Antoine Duval Davis

(22) **Filed:** **Nov. 7, 2000**

(74) *Attorney, Agent, or Firm*—Adan Ayala

**Related U.S. Application Data**

(57) **CLAIM**

(63) Continuation of application No. 29/121,853, filed on Apr. 12, 2000, now Pat. No. Des. 437,604, which is a continuation of application No. 29/112,894, filed on Oct. 26, 1999, now Pat. No. Des. 430,580, which is a continuation of application No. 29/100,427, filed on Feb. 10, 1999, now Pat. No. Des. 421,996, which is a continuation of application No. 29/093,569, filed on Sep. 14, 1998, now Pat. No. Des. 412,914, which is a continuation of application No. 29/088,229, filed on May 19, 1998, now Pat. No. Des. 411,548, which is a continuation of application No. 29/081,850, filed on Dec. 15, 1997, now Pat. No. Des. 397,122, which is a continuation of application No. 29/065,049, filed on Jan. 17, 1997, now Pat. No. Des. 395,320, which is a continuation of application No. 29/062,168, filed on Nov. 8, 1996, now Pat. No. Des. 387,070.

The ornamental design for tables for a planer, as shown and described.

**DESCRIPTION**

FIG. 1 is a left side perspective view from the front of tables for a planer showing my new design;  
FIG. 2 is a top plan view of my new design;  
FIG. 3 is a back elevational view of my new design;  
FIG. 4 is a front elevational view of my new design;  
FIG. 5 is a right elevational view of my new design; and,  
FIG. 6 is a left elevational view of my new design.

In the attached drawings, any broken line illustration is not part of the design sought to be patented.

(51) **LOC (7) Cl.** ..... **15-09**

(52) **U.S. Cl.** ..... **D15/124**

(58) **Field of Search** ..... D15/124; 144/177.1-177.4,  
144/131; 451/296-301, 456

**1 Claim, 5 Drawing Sheets**

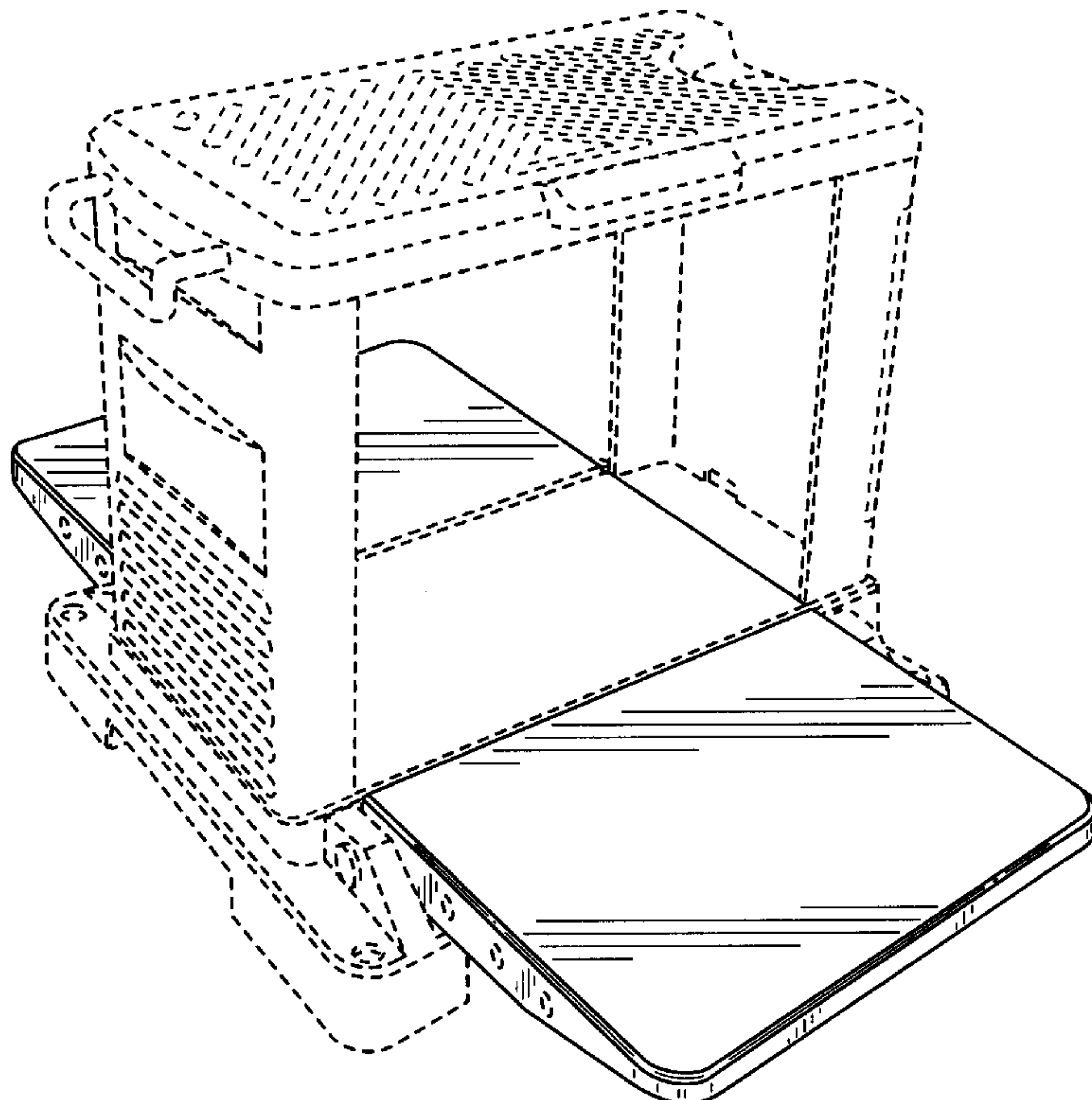


FIG. 1

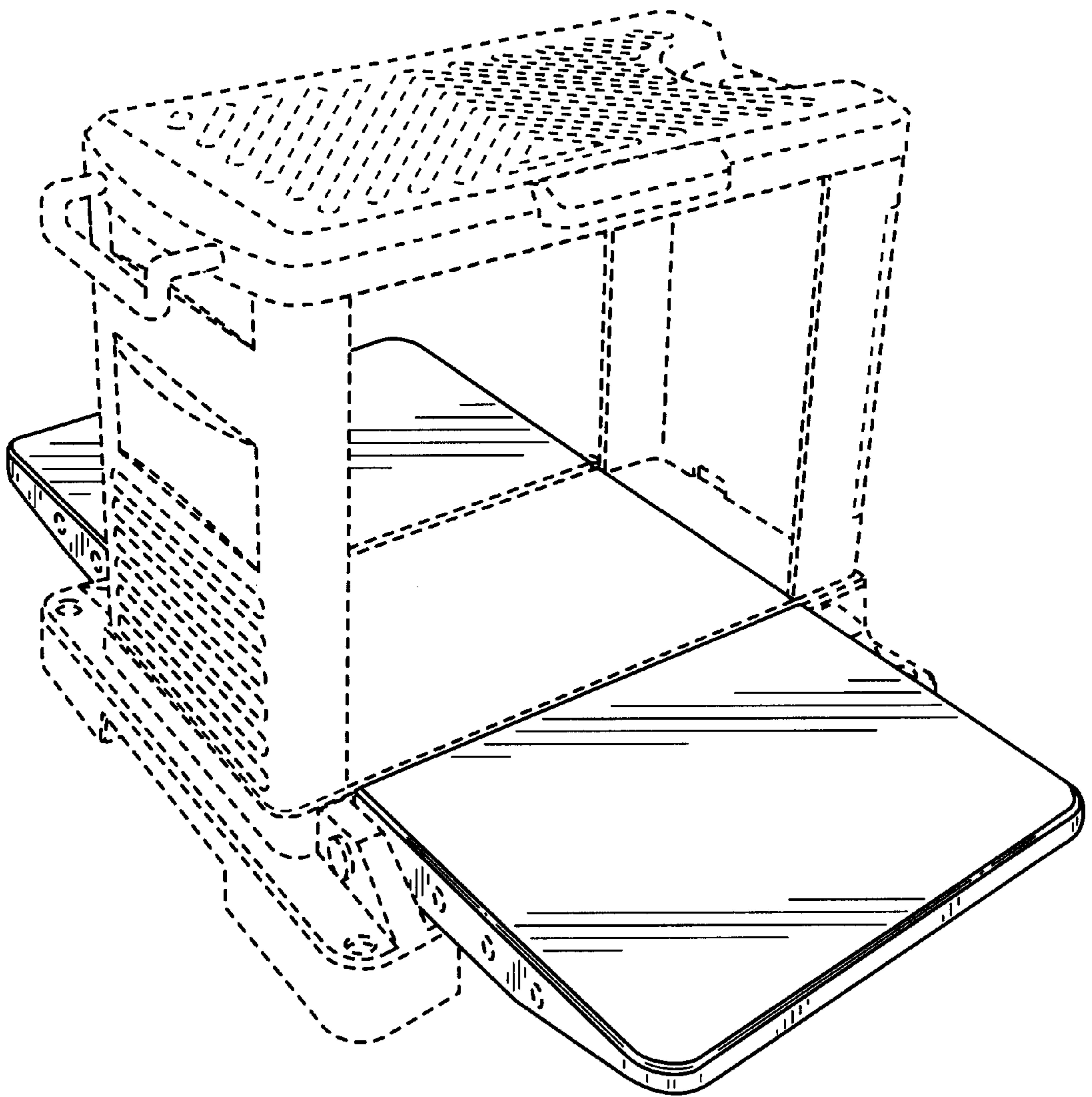


FIG. 2

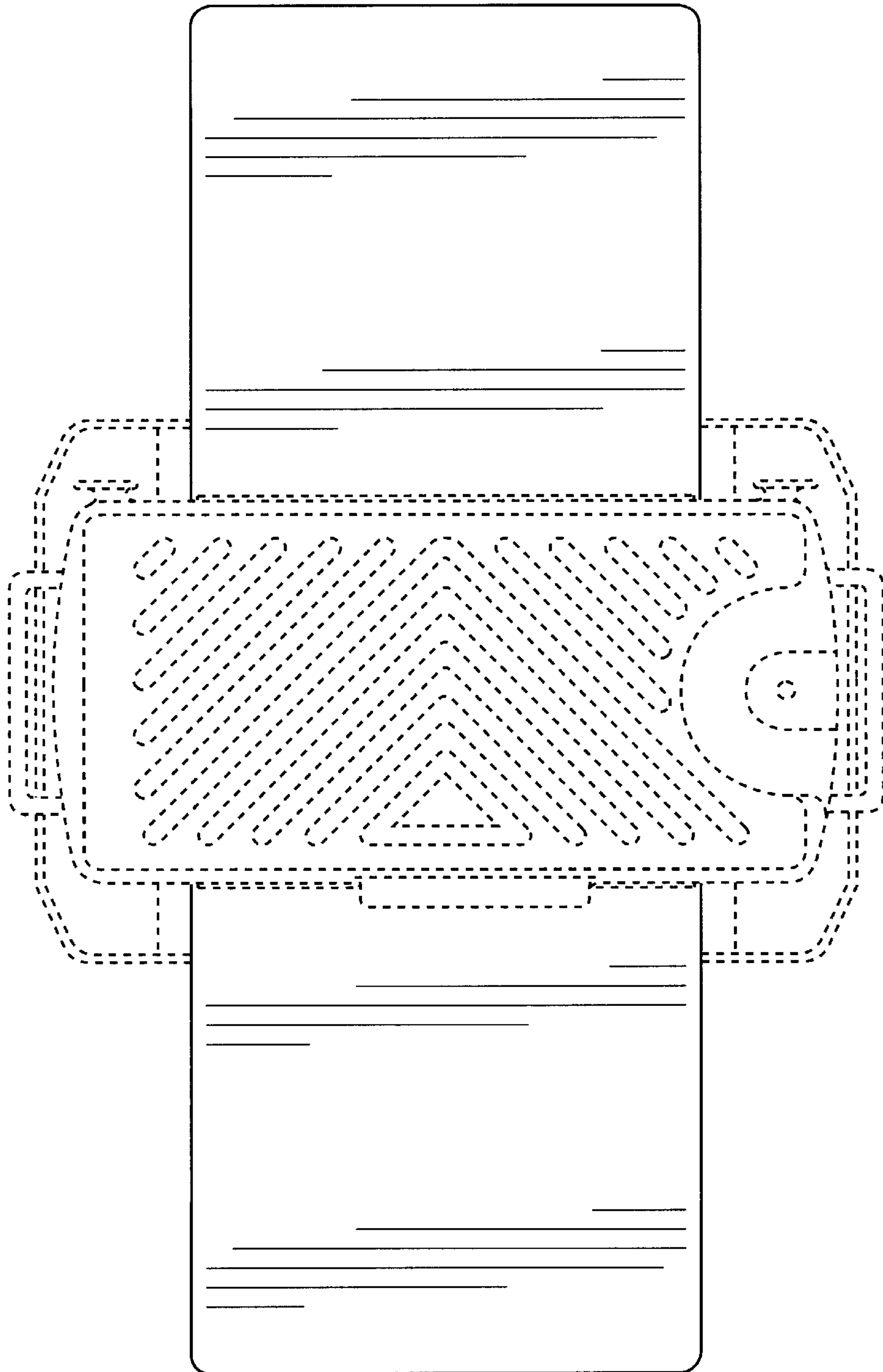


FIG. 3

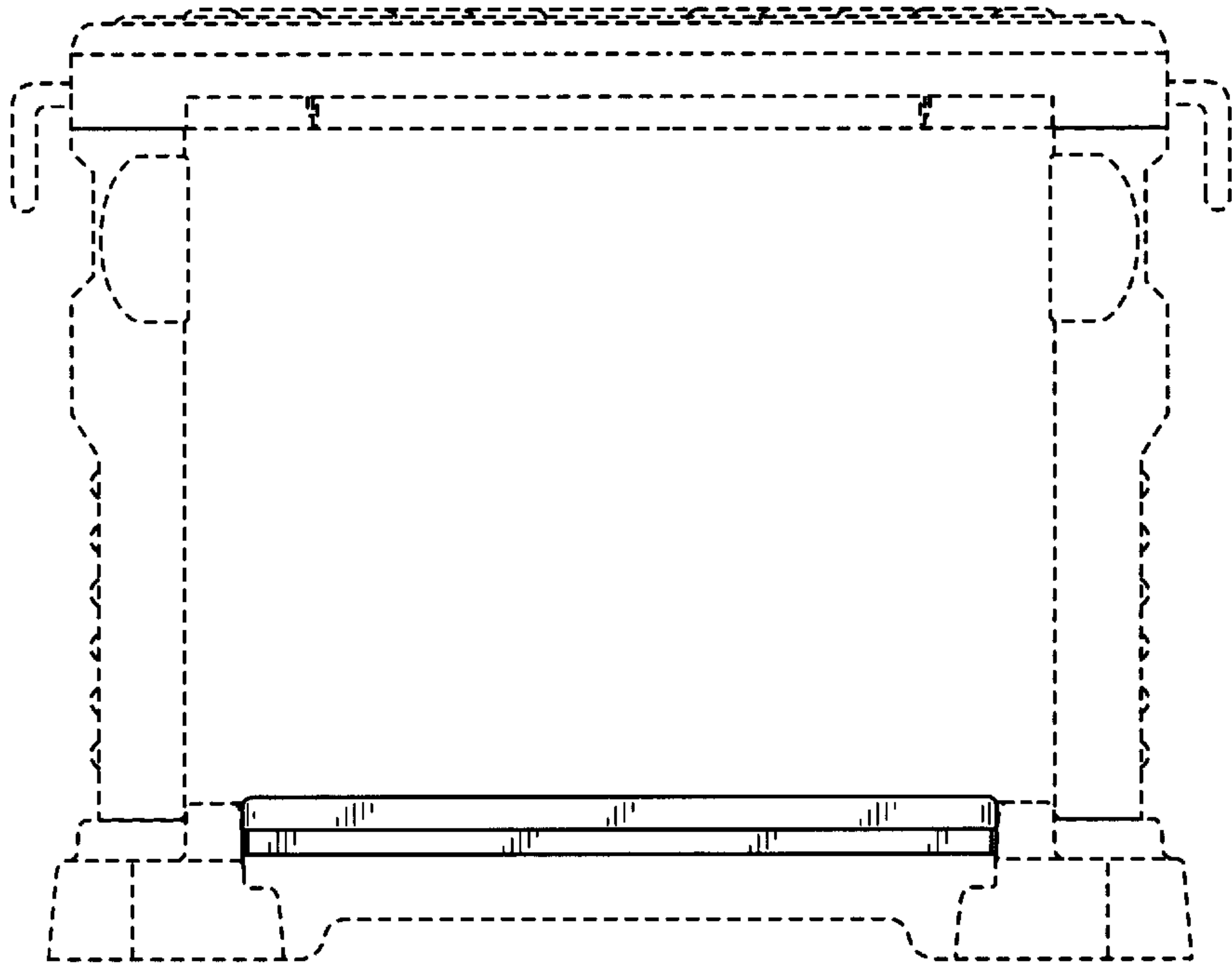


FIG. 4

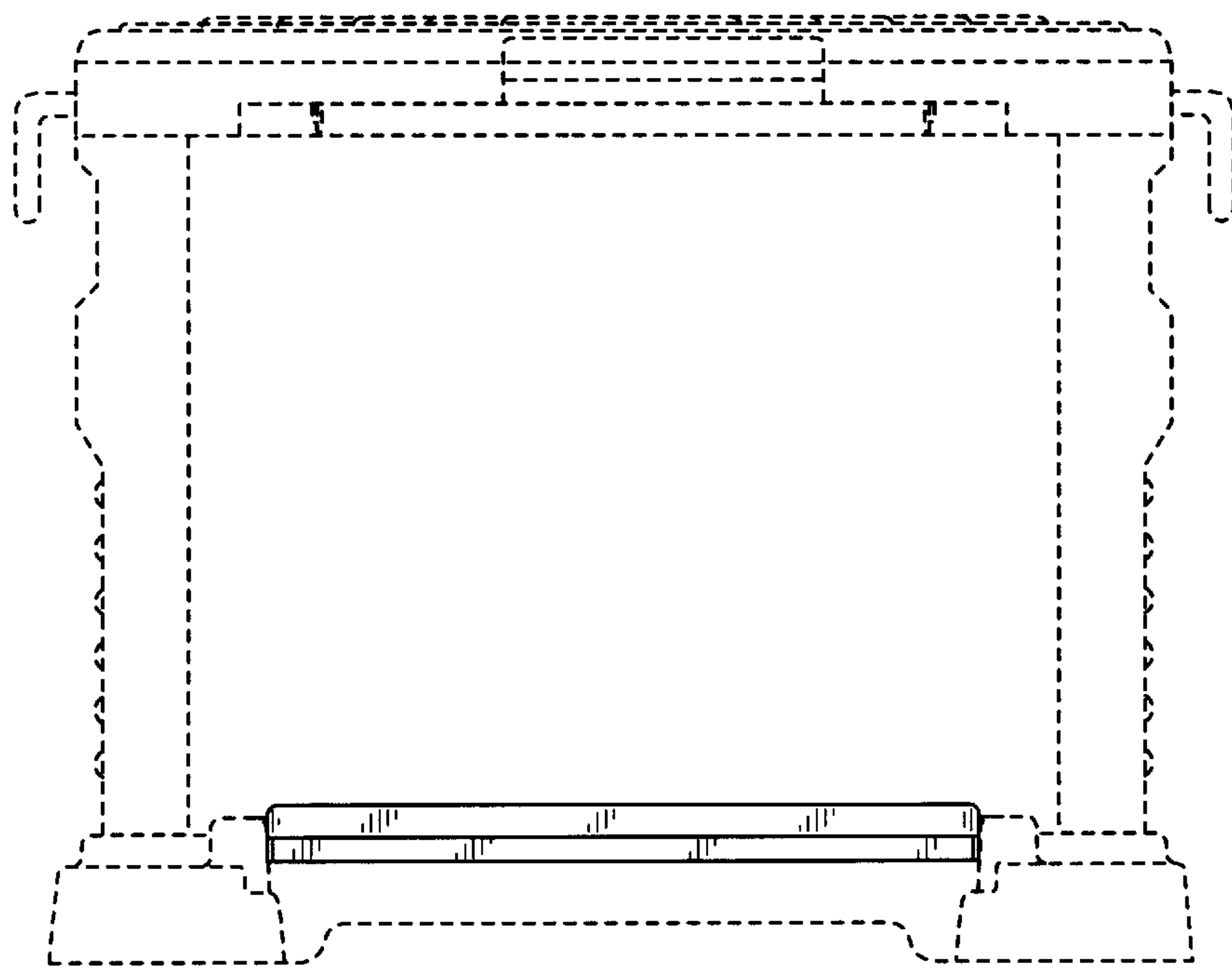


FIG. 5

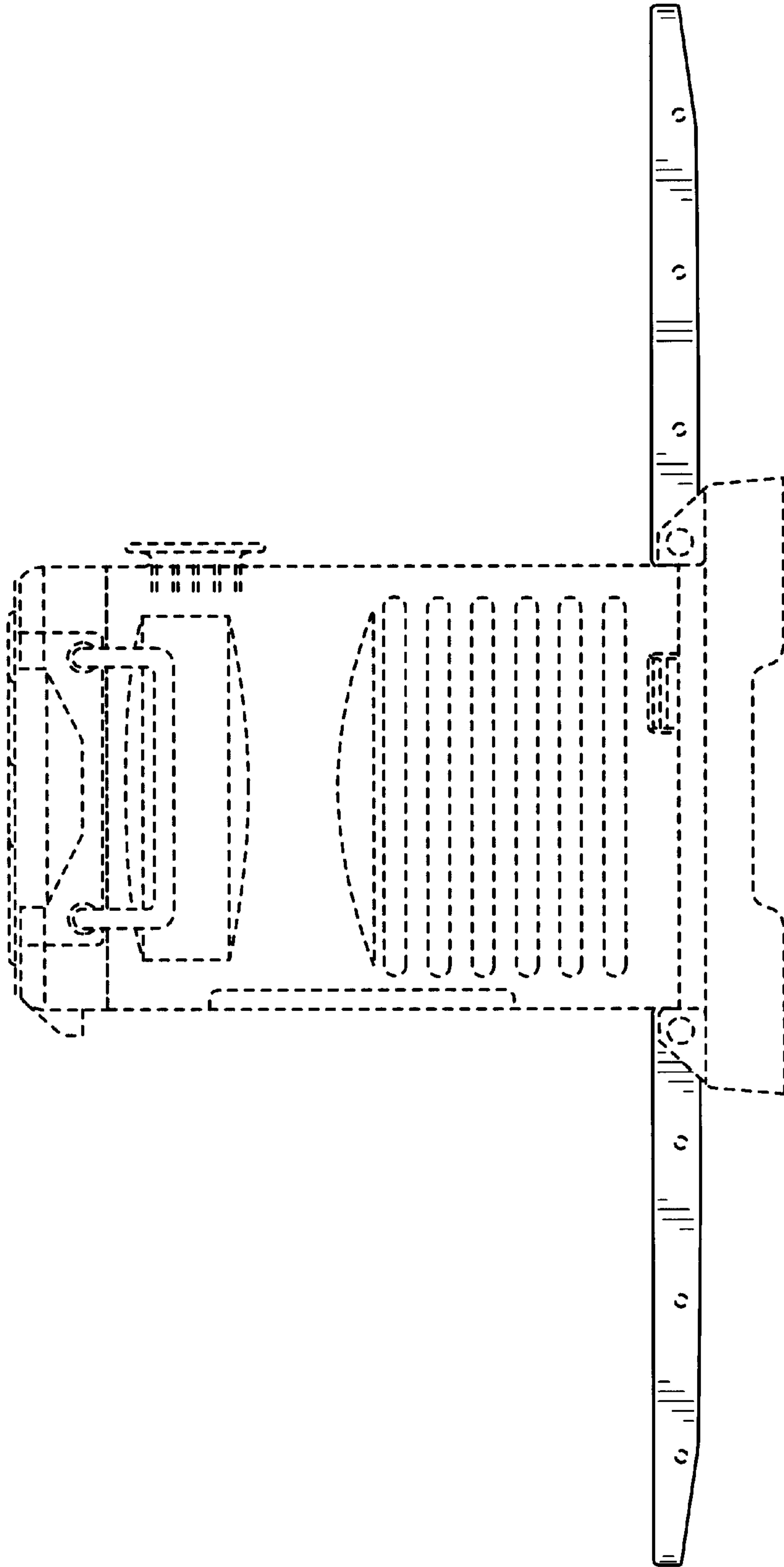


FIG. 6

