



US00D444481S

(12) **United States Design Patent**
Hoshino

(10) **Patent No.:** **US D444,481 S**

(45) **Date of Patent:** **** Jul. 3, 2001**

- (54) **THICKNESS PLANER**
- (75) Inventor: **Kiyoshi Hoshino**, Chesterfield, MO (US)
- (73) Assignee: **Emerson Electric Co.**, St. Louis, MO (US)
- (**) Term: **14 Years**

4,932,448	6/1990	Maioli et al.	144/117
4,991,636	2/1991	Robson	144/116
5,174,348	12/1992	Miyamoto et al.	144/117
5,176,190	1/1993	Miyamoto et al.	144/117
5,284,192	2/1994	Sato et al.	144/117
5,771,949	6/1998	Welsh et al.	144/130
5,794,675	8/1998	Garcia	144/117.1
5,927,357	7/1999	Welsh et al.	144/130

FOREIGN PATENT DOCUMENTS

- (21) Appl. No.: **29/127,119**
- (22) Filed: **Jul. 31, 2000**
- (51) **LOC (7) Cl.** **15-09**
- (52) **U.S. Cl.** **D15/124**
- (58) **Field of Search** D15/124; 144/177.1, 144/177.2, 177.3, 177.4, 131, 130, 117.1; 451/296-301, 456; 83/522.11, 522.16, 522.19

3541728A1	3/1954	(DE)
760 672	3/1954	(DE)
1068129	10/1959	(DE)
2552484	5/1977	(DE)
3615978A1	11/1986	(DE)

OTHER PUBLICATIONS

Delta Machinery Internet pages; Oct. 24, 2000 (6 pages).
DeWalt Internet pages; Oct. 24, 2000 (3pages).

* cited by examiner

Primary Examiner—Antoine Duval Davis
(74) *Attorney, Agent, or Firm*—Howrey Simon Arnold & White, LLP

(56) **References Cited**

U.S. PATENT DOCUMENTS

D. 394,070	*	5/1998	Garcia et al.	D15/124
D. 430,175	*	8/2000	Hayakawa et al.	D15/124
1,802,096		4/1931	Tautz	.
2,577,975		12/1951	Moore	144/117
2,624,382		1/1953	Moore	144/116
2,780,251		2/1957	Williams	144/130
3,545,140		12/1970	Jones	51/170
3,718,168		2/1973	Berends	144/117
3,785,416		1/1974	Anthony	144/116
3,913,642		10/1975	Porter	144/114
4,067,370		1/1978	Chang	144/117
4,118,141		10/1978	Spohn, Jr.	408/90
4,335,768		6/1982	Bachmann	144/114
4,363,343		12/1982	Cuneo	145/4
4,394,878		7/1983	Rice et al.	144/116
4,436,126		3/1984	Lawson	144/114
4,436,462		3/1984	Martinez	409/218
4,440,204		4/1984	Bartlett	144/130
4,457,350		7/1984	Finnila	144/2
4,485,859		12/1984	Krogstad et al.	144/117

(57) **CLAIM**

The ornamental design for a thickness planer, as shown and described.

DESCRIPTION

FIG. 1 is a front and right perspective view of a thickness planer showing my new design;
FIG. 2 is a front view thereof;
FIG. 3 is a rear view thereof;
FIG. 4 is a left side view thereof;
FIG. 5 is a right side view thereof;
FIG. 6 is a top view thereof; and,
FIG. 7 is a bottom view thereof.

1 Claim, 4 Drawing Sheets

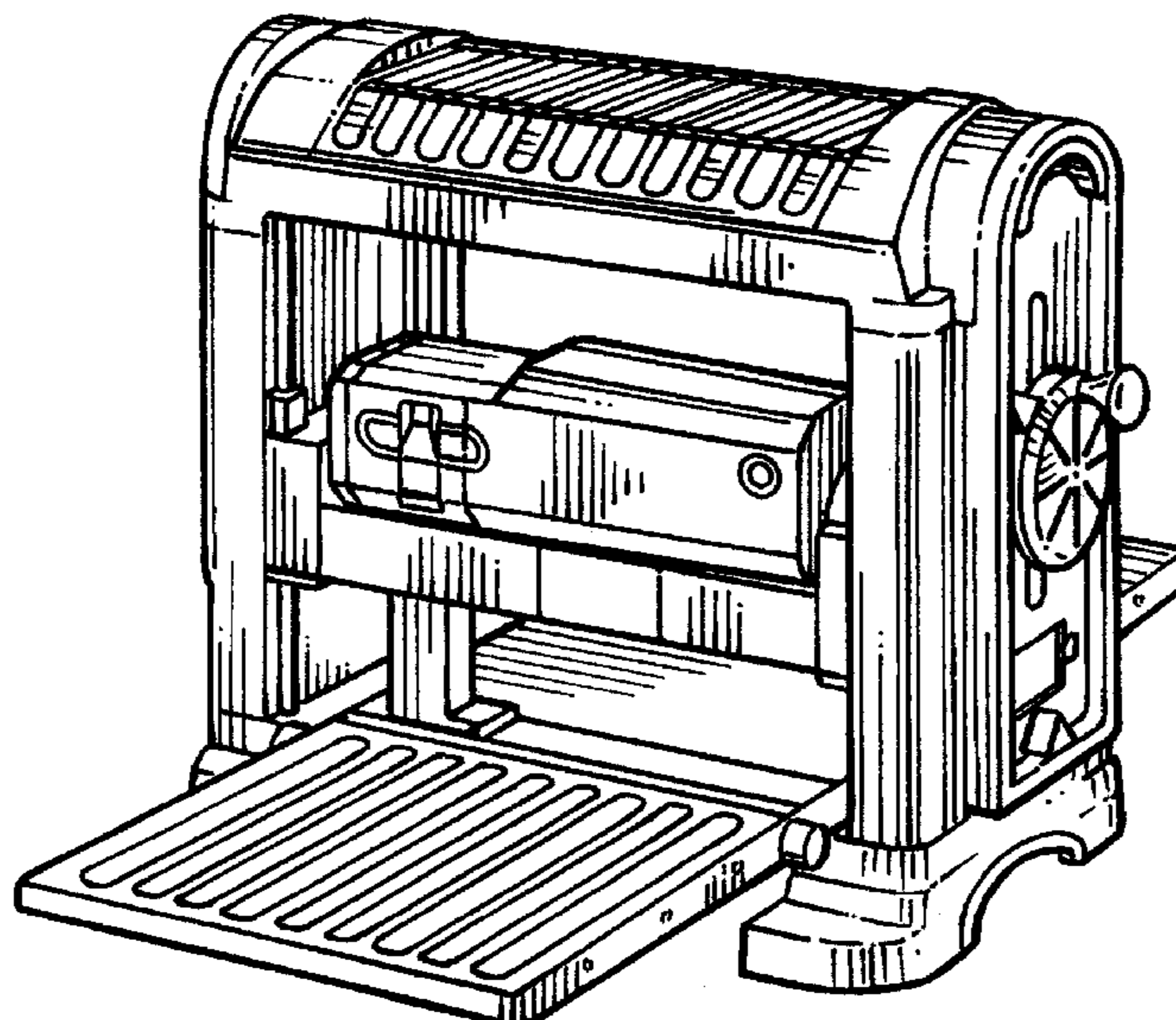


FIG. 1

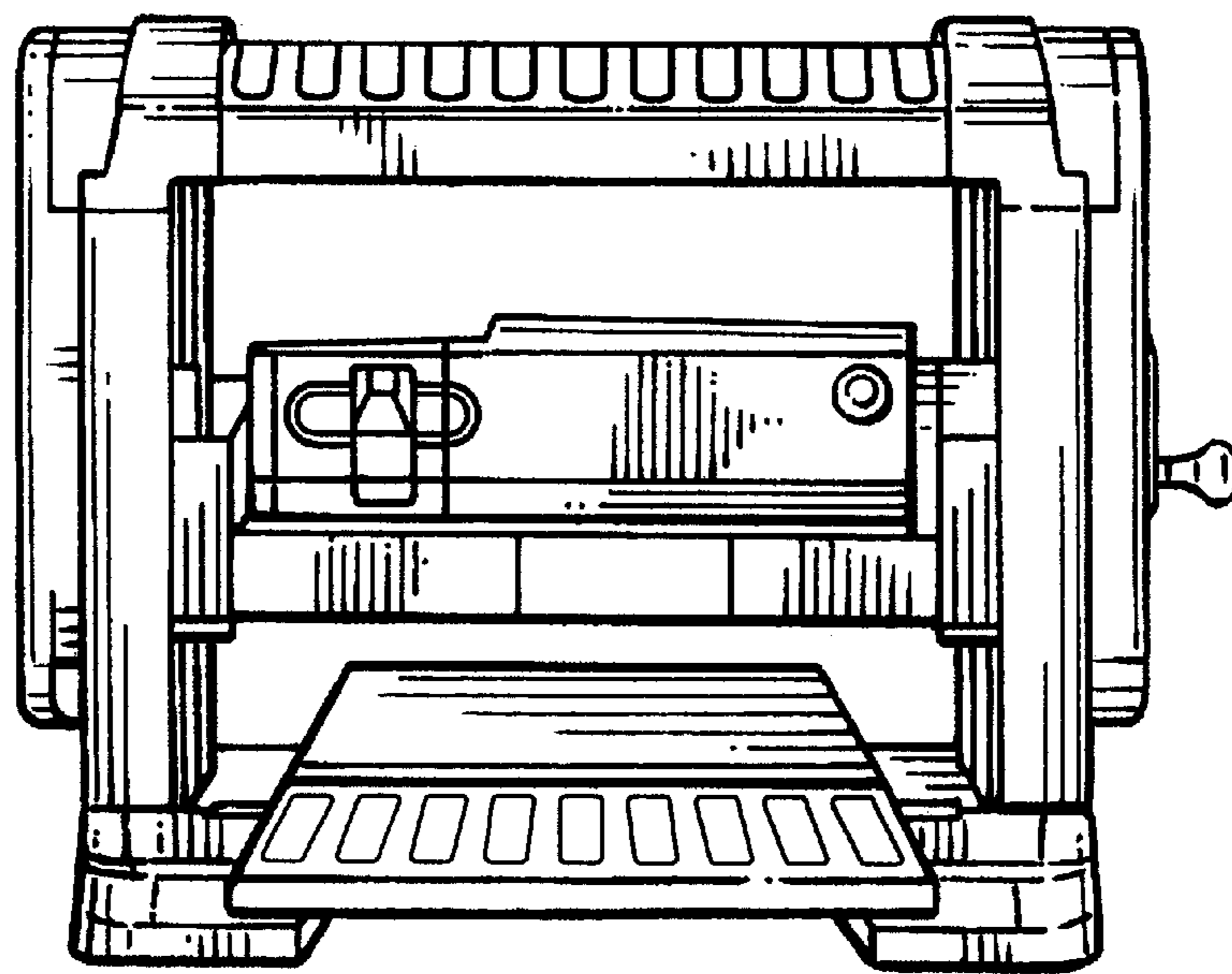
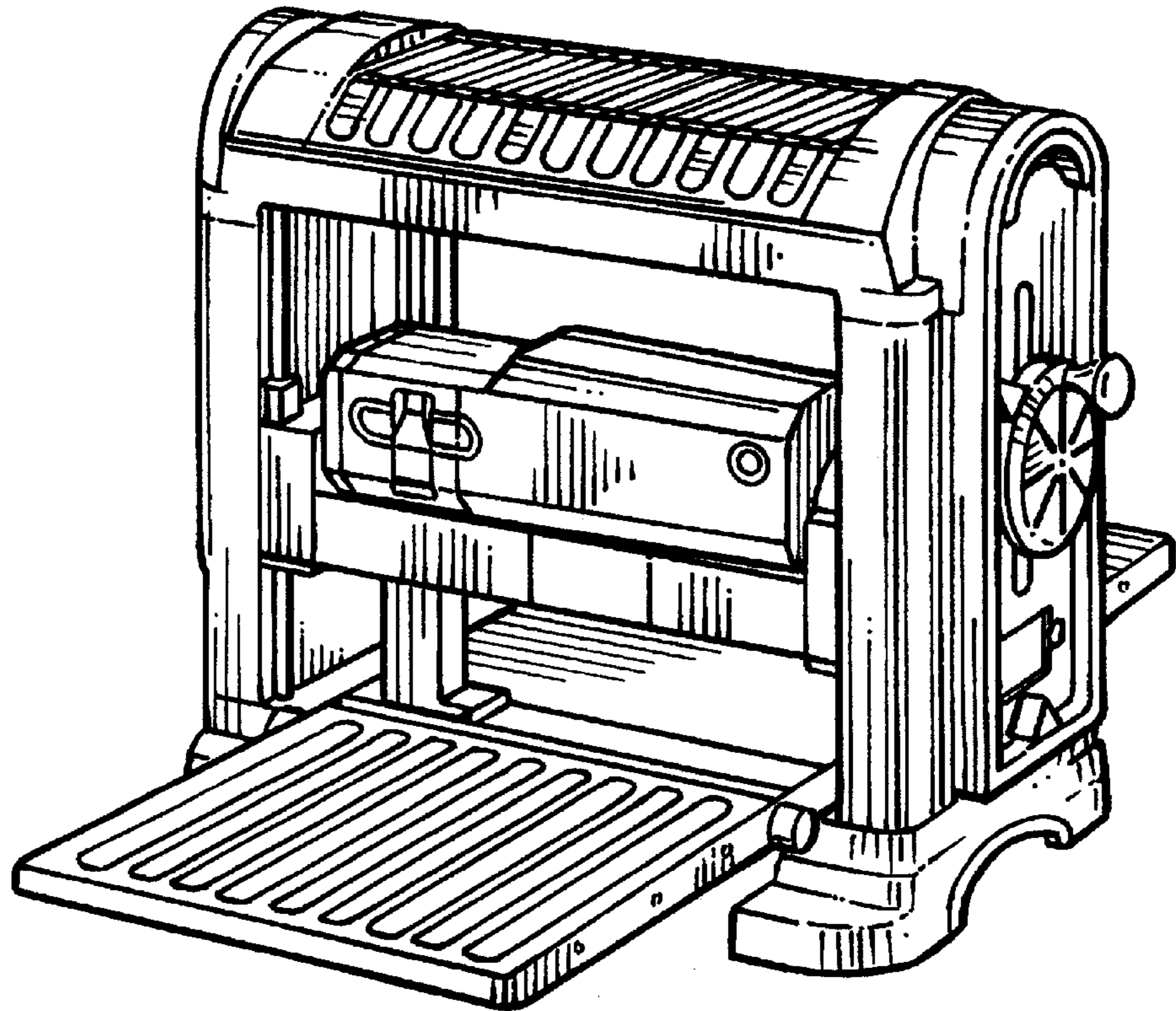


FIG. 2

FIG. 3

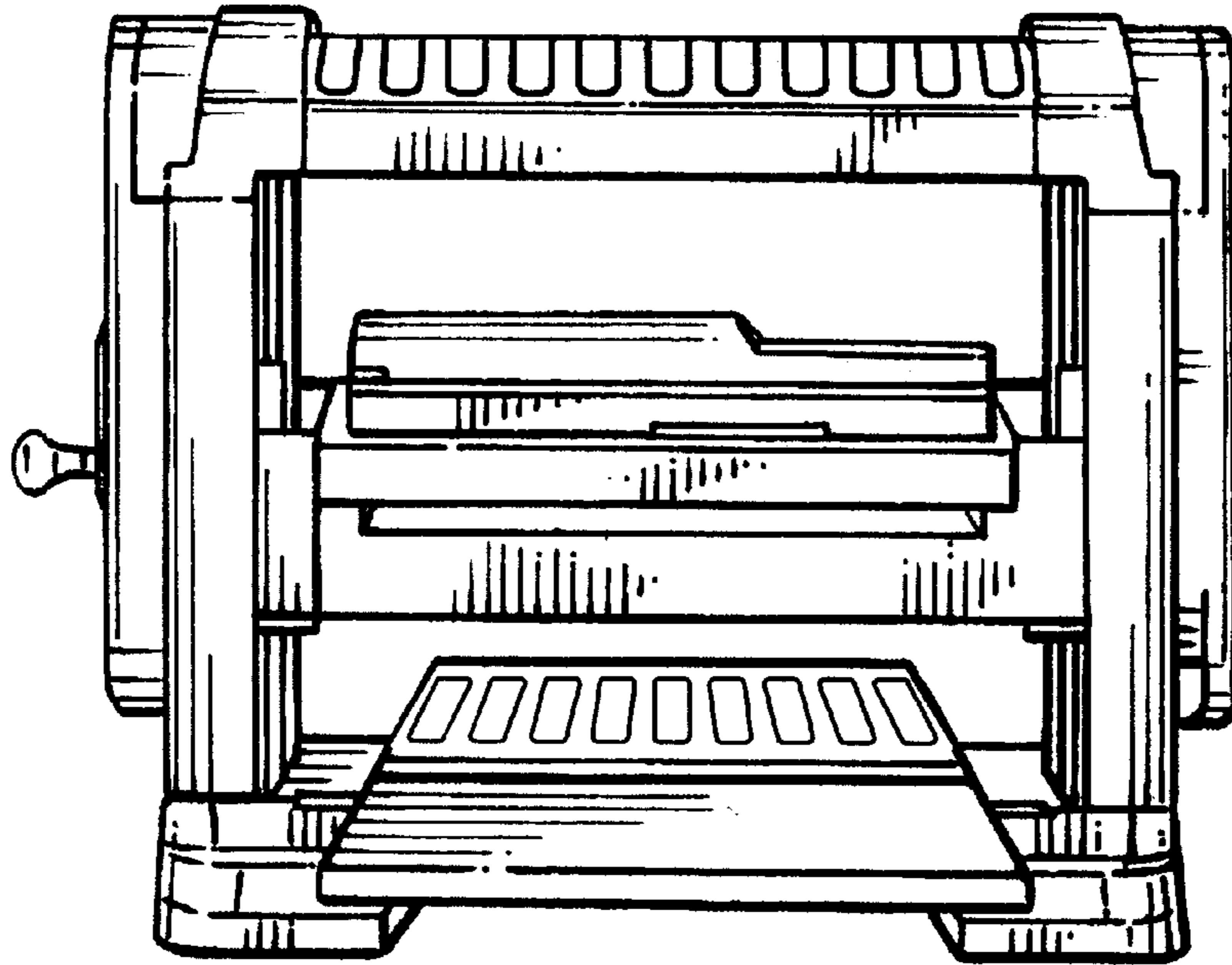
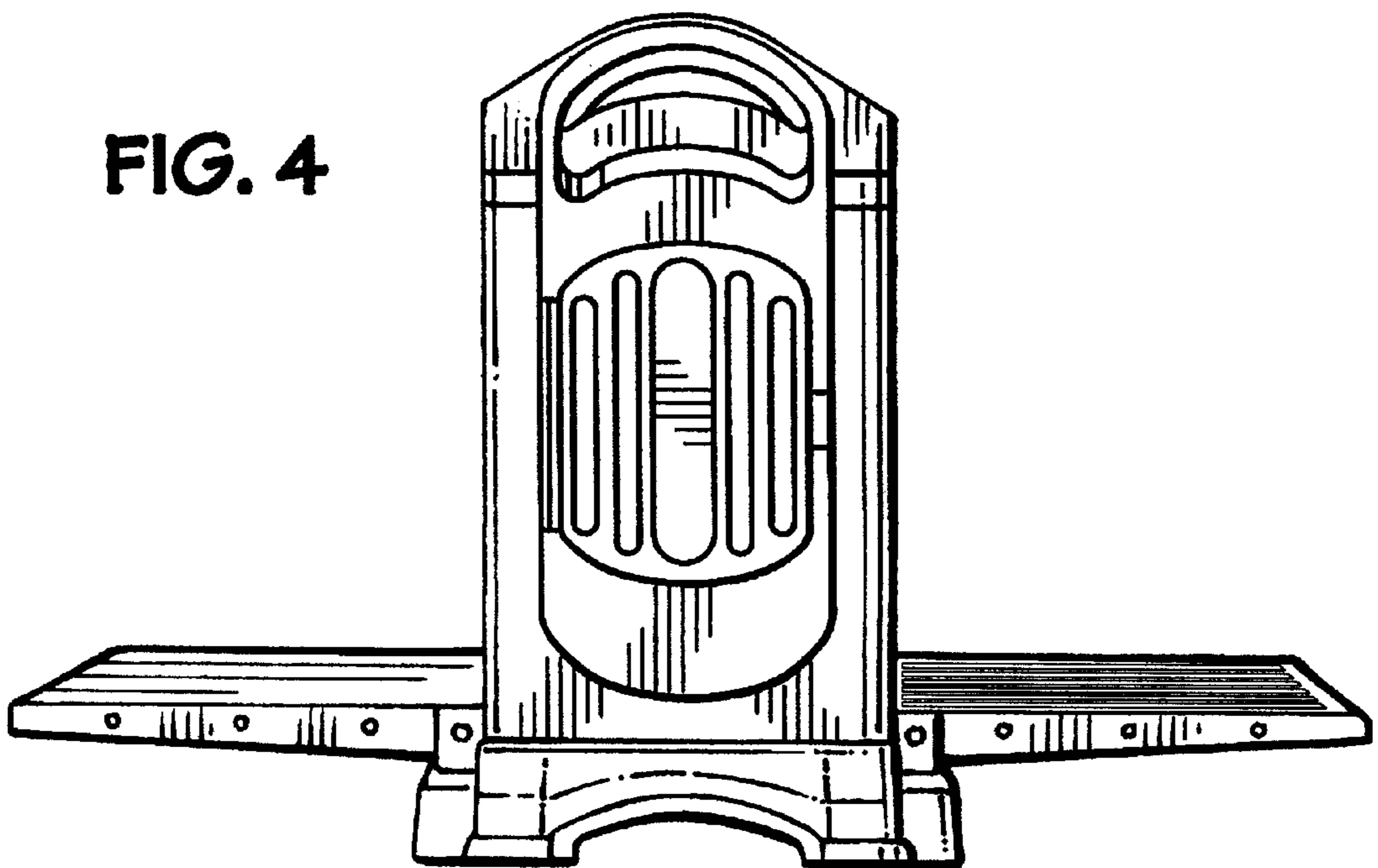


FIG. 4



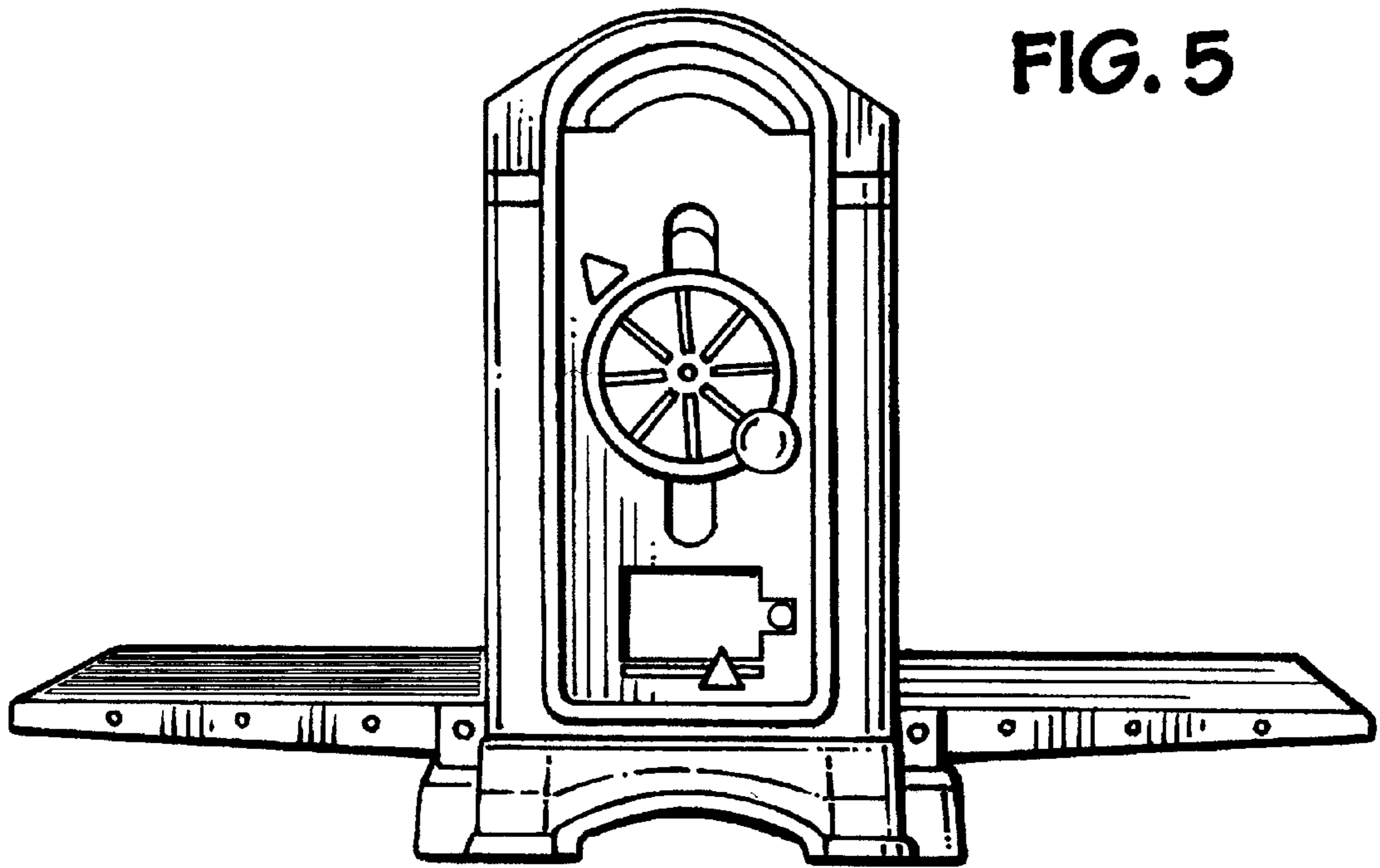


FIG. 5

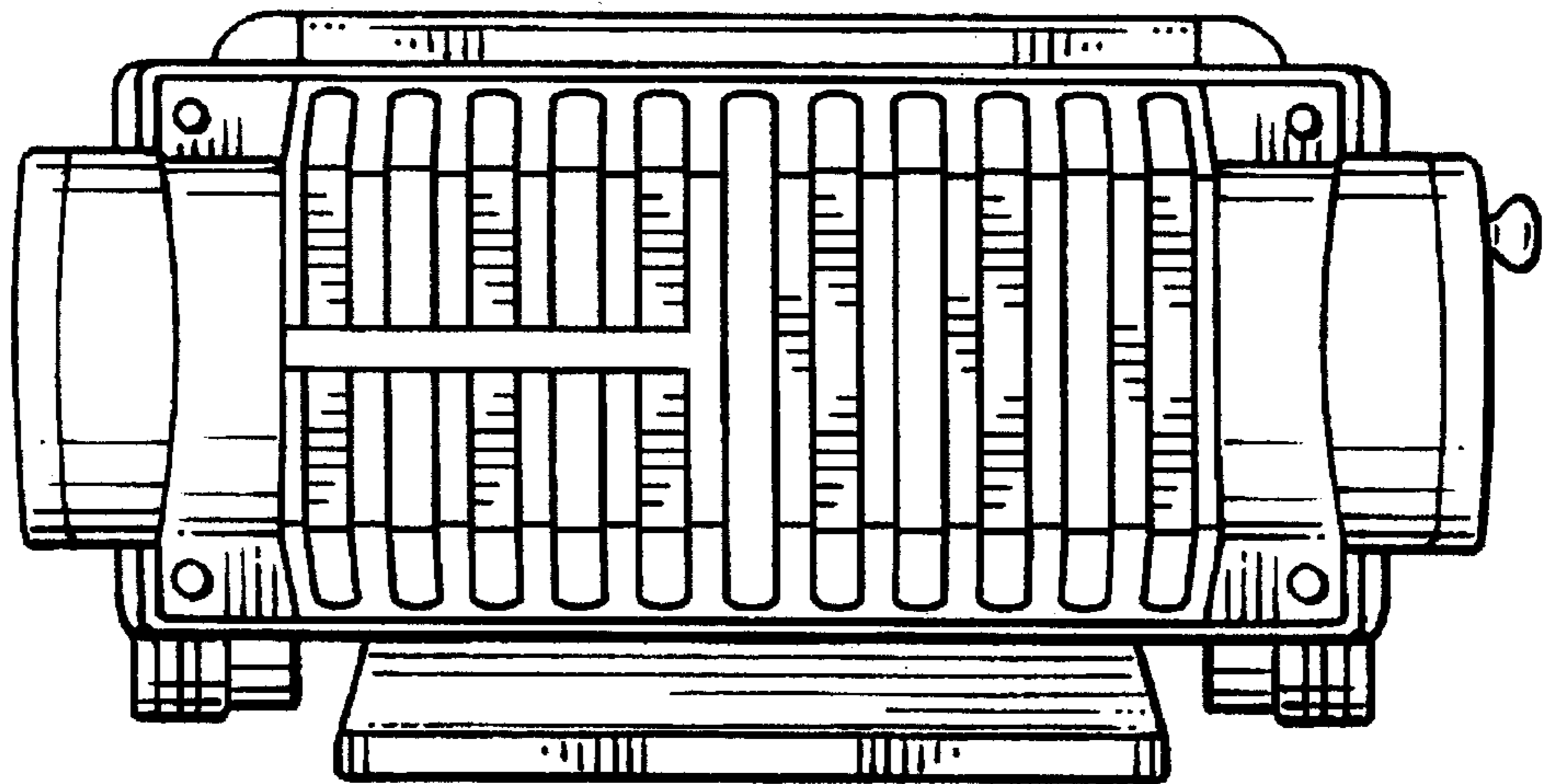


FIG. 6

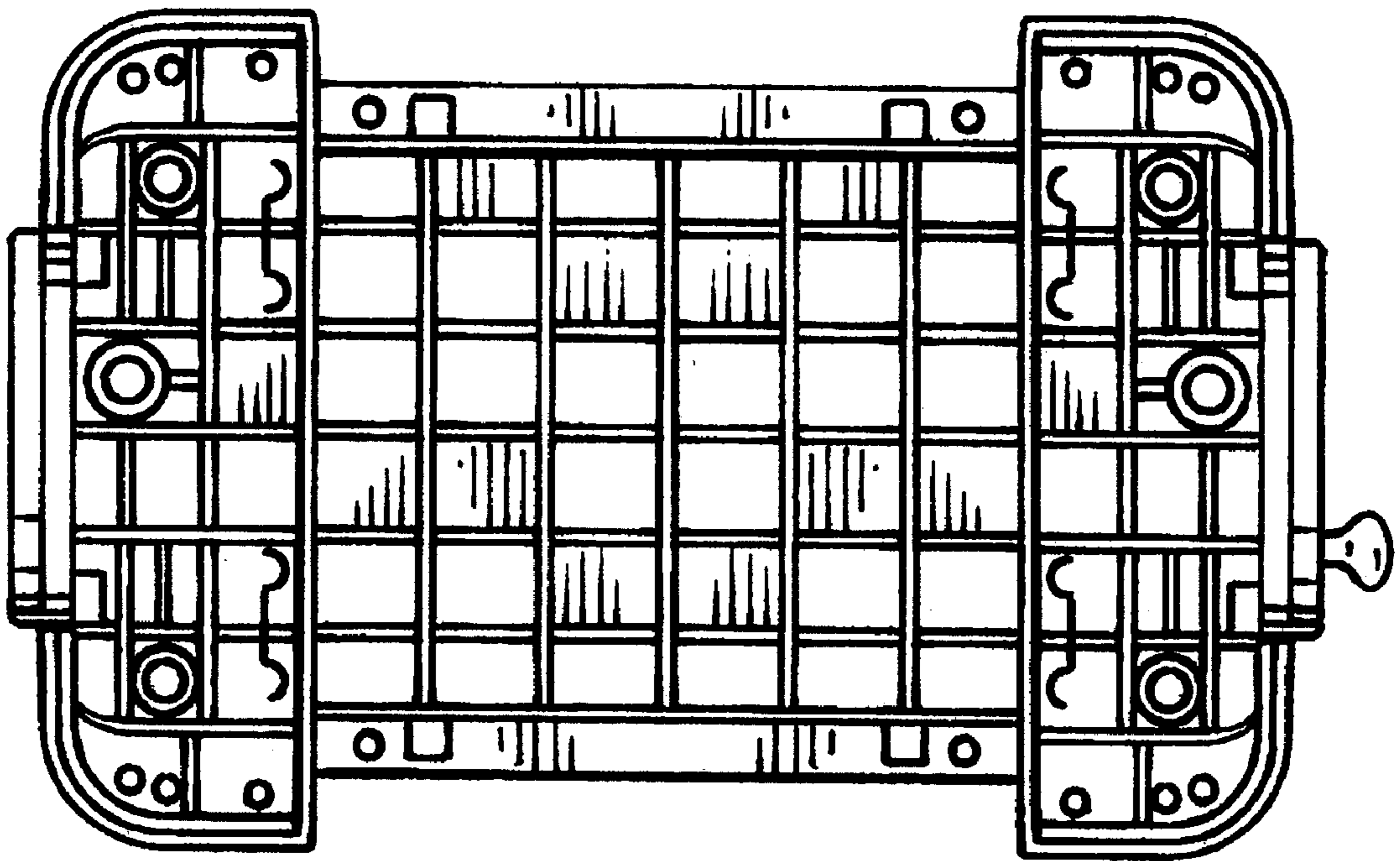


FIG. 7