



US00D444480S

(12) **United States Design Patent**  
**Shultz, Jr. et al.**

(10) **Patent No.:** **US D444,480 S**

(45) **Date of Patent:** **\*\* Jul. 3, 2001**

(54) **ICE CUBE TRAY**

2,796,742 \* 6/1957 Platt .  
4,148,457 \* 4/1979 Gurbin ..... 249/127

(76) Inventors: **Marcus L. Shultz, Jr.; Betty Jean Whetstone**, both of 13845 120th Rd., Erie, KS (US) 66733; **Thomas C. Hall**, 601 S. 21st St., Parsons, KS (US) 67357

\* cited by examiner

*Primary Examiner*—B. J. Bullock  
(74) *Attorney, Agent, or Firm*—Martin & Associates, LLC; Derek P. Martin

(\*\*) Term: **14 Years**

(57) **CLAIM**

(21) Appl. No.: **29/105,972**

The ornamental design for an ice cube tray, as shown and described.

(22) Filed: **Jun. 4, 1999**

**DESCRIPTION**

(51) **LOC (7) Cl.** ..... **15-07**

(52) **U.S. Cl.** ..... **D15/90; D7/553.3**

(58) **Field of Search** ..... D15/90; 249/121, 249/126, 127, 119; 221/91; 206/561; D3/313, 314; D7/553.2, 553.3

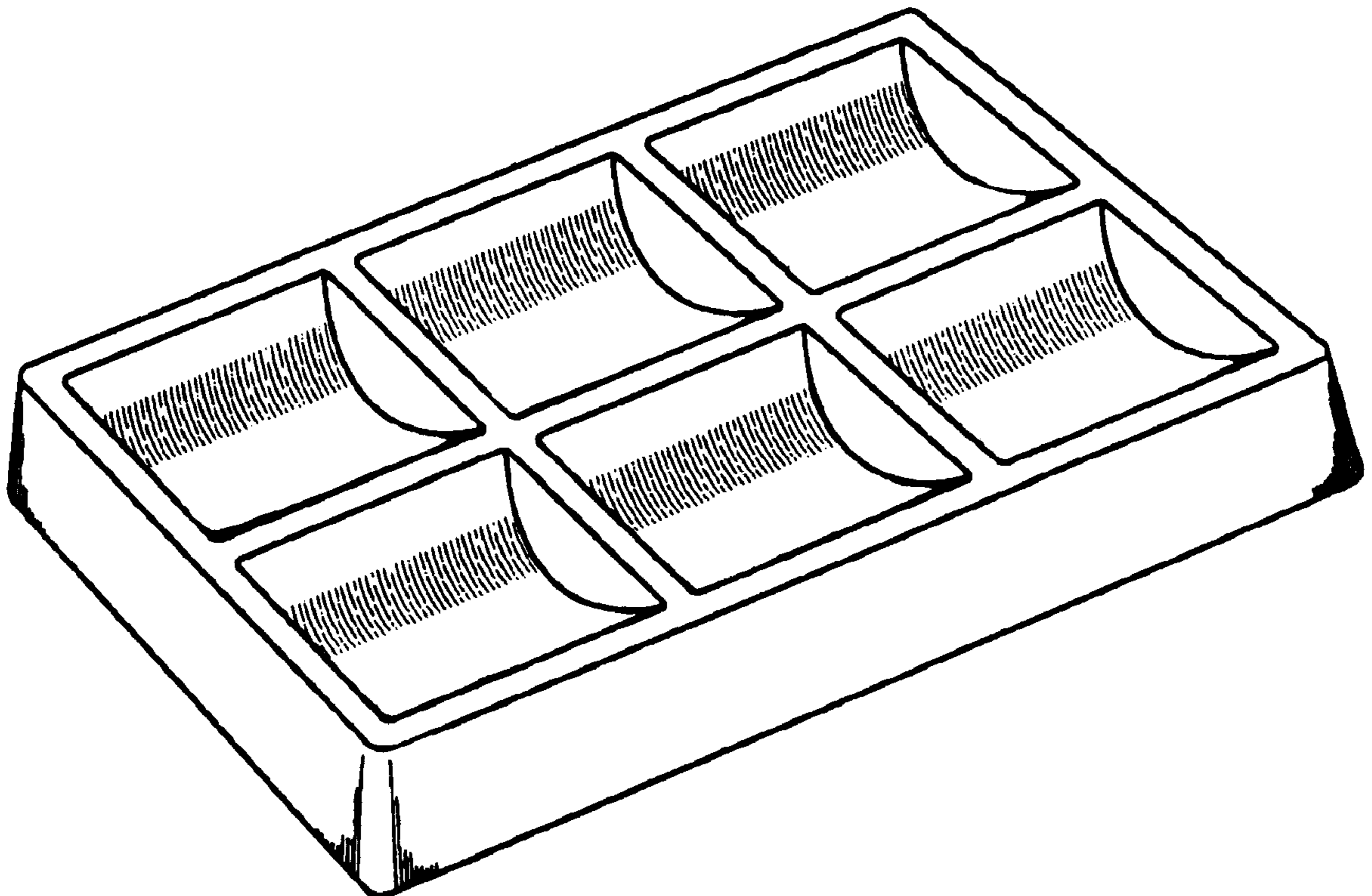
FIG. 1 is a top view of an ice cube tray or similar article showing my new design;  
FIG. 2 is an end view taken in the direction of arrow 2, with the opposing end being identical;  
FIG. 3 is a side view taken in the direction of arrow 3, with the opposing side being identical;  
FIG. 4 is a bottom view thereof;  
FIG. 5 is a perspective top view thereof; and,  
FIG. 6 is a perspective bottom view thereof.

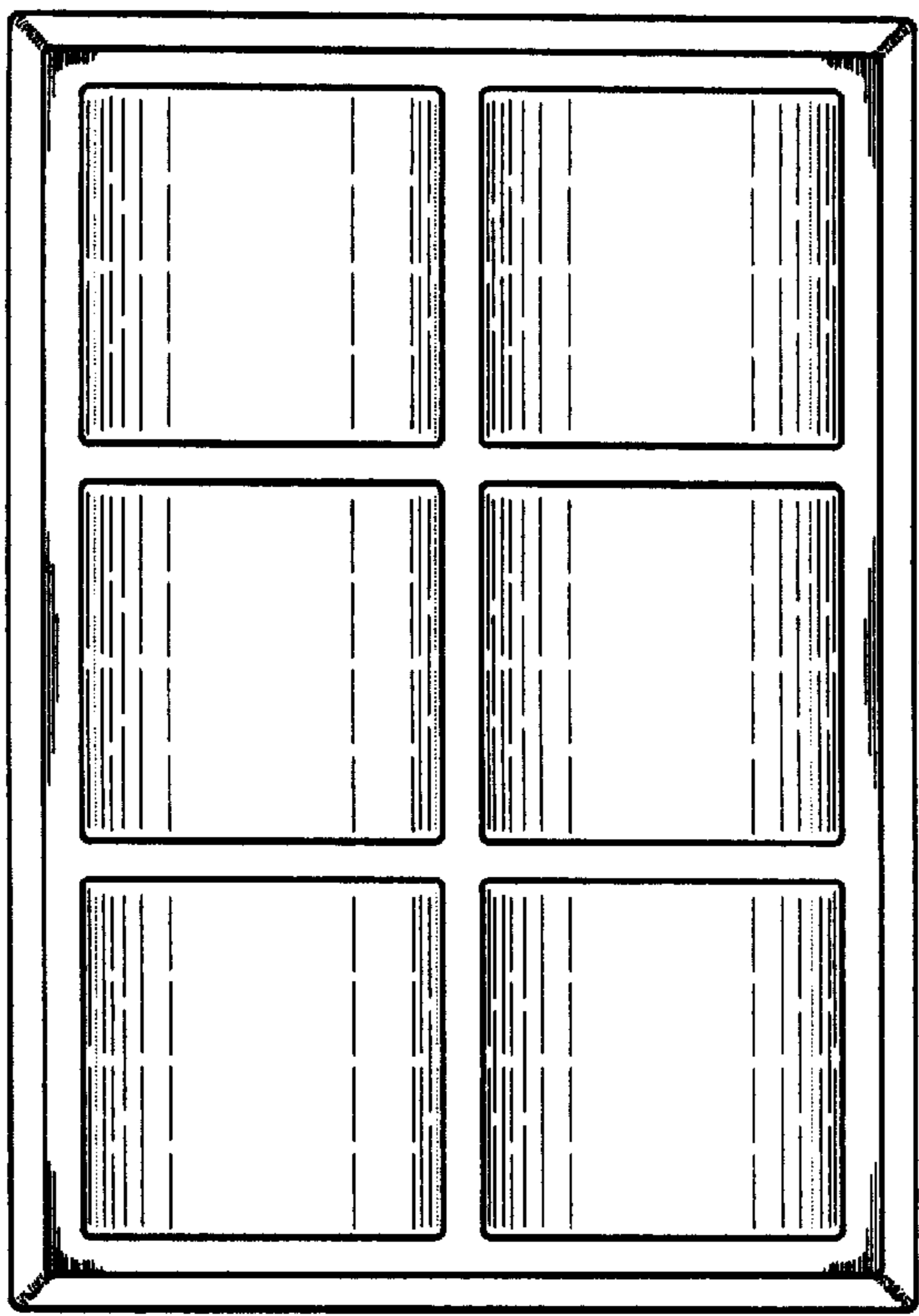
(56) **References Cited**

**U.S. PATENT DOCUMENTS**

- D. 245,008 \* 7/1977 LaLonde ..... D15/90
- 1,389,986 \* 9/1921 Ristenpart .
- 1,868,503 \* 7/1932 Kennedy, Jr. .

**1 Claim, 2 Drawing Sheets**



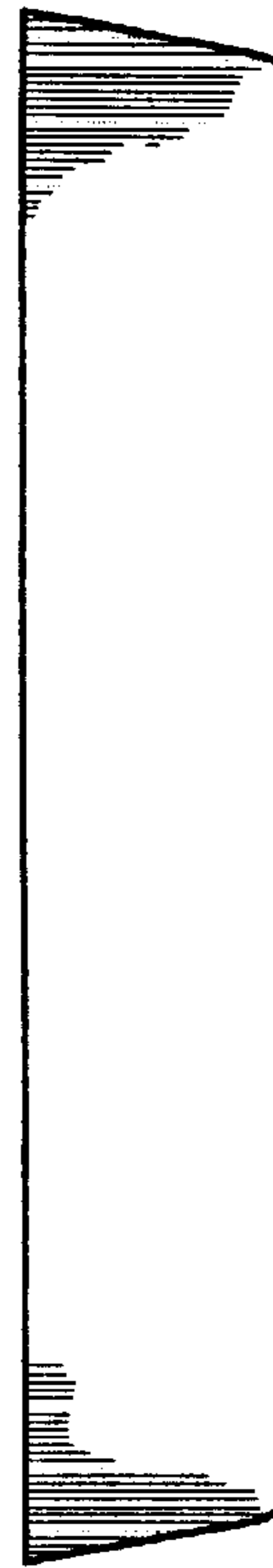


**FIG. 1**

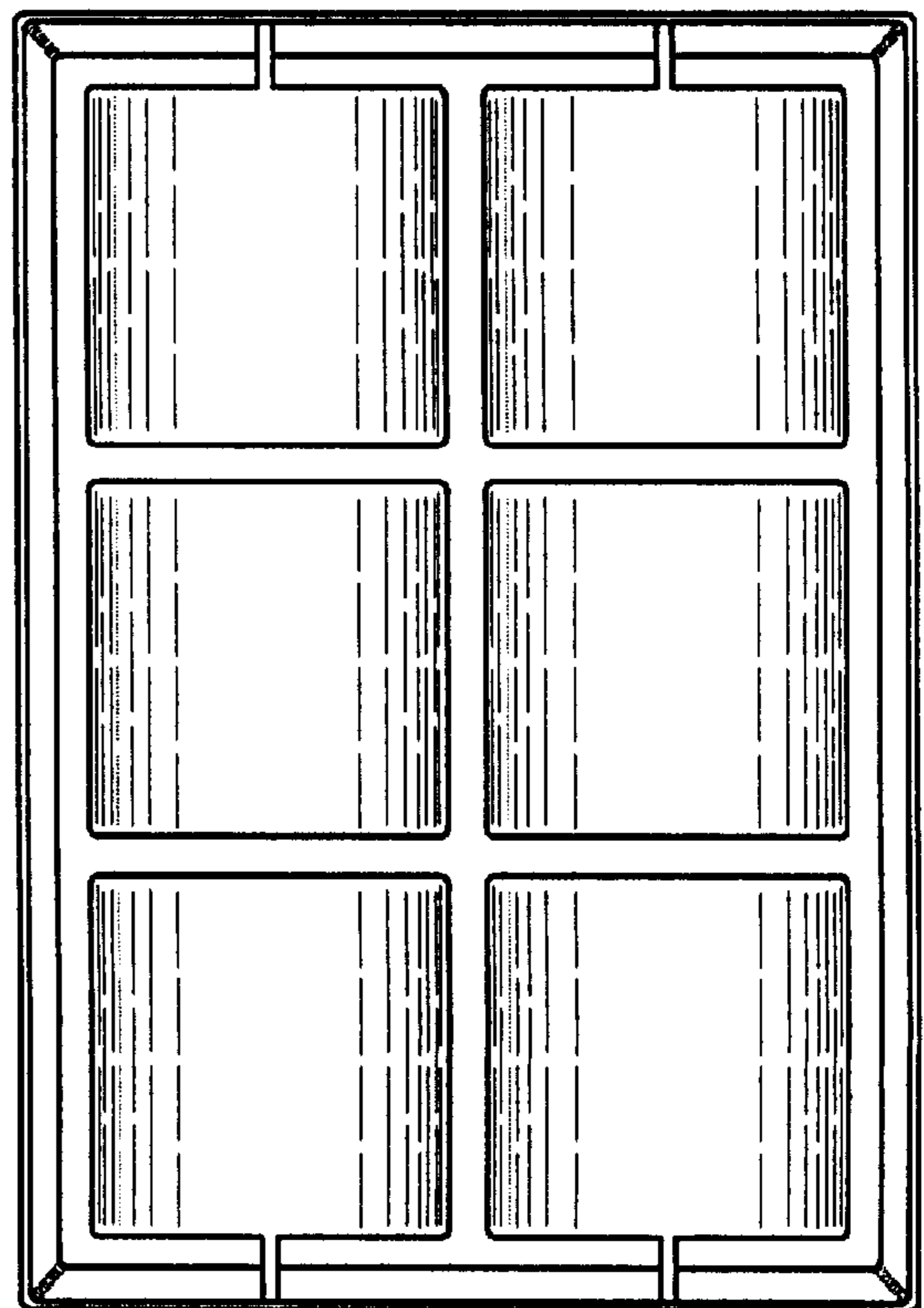


**FIG. 2**

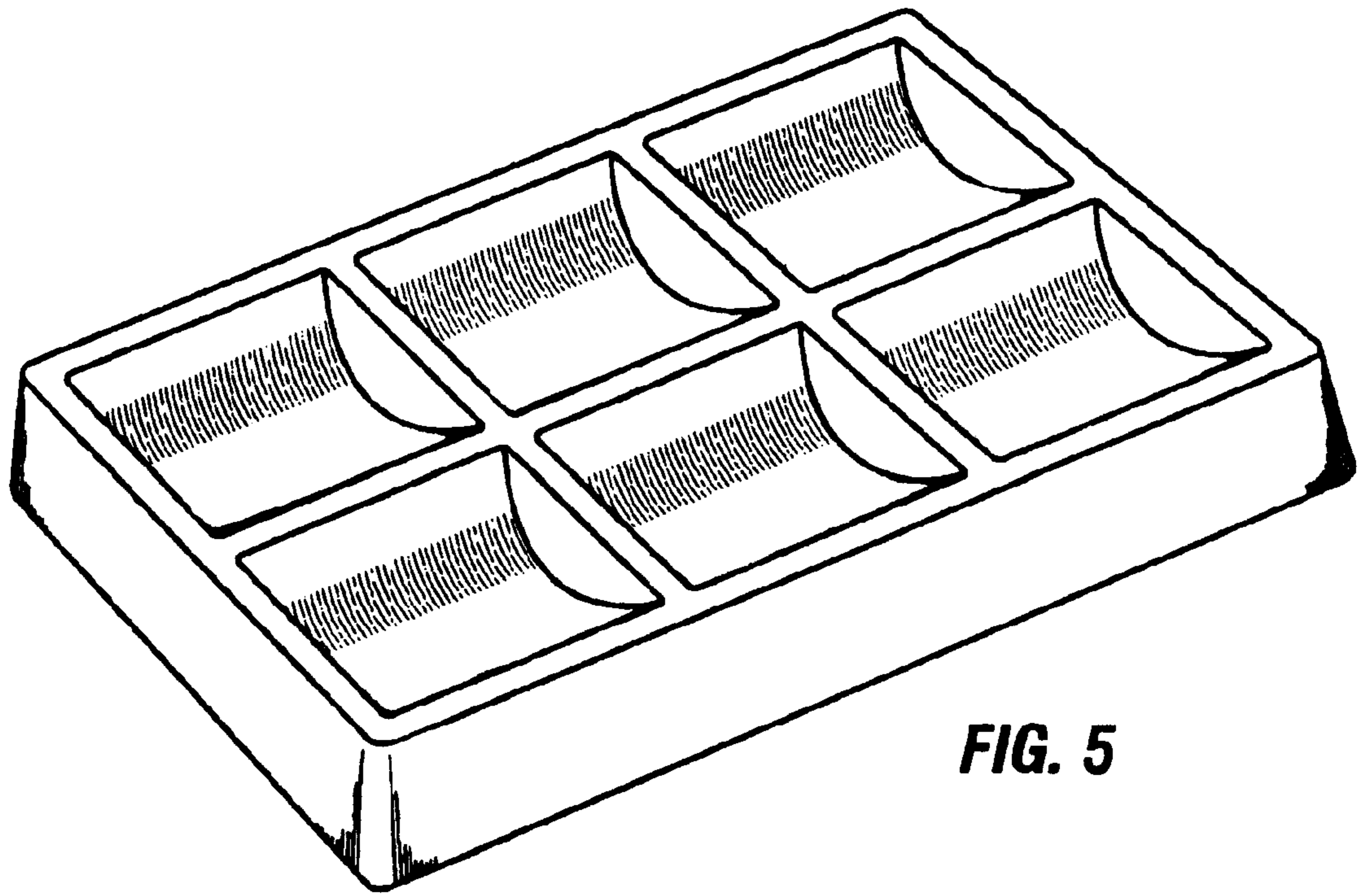
← 3



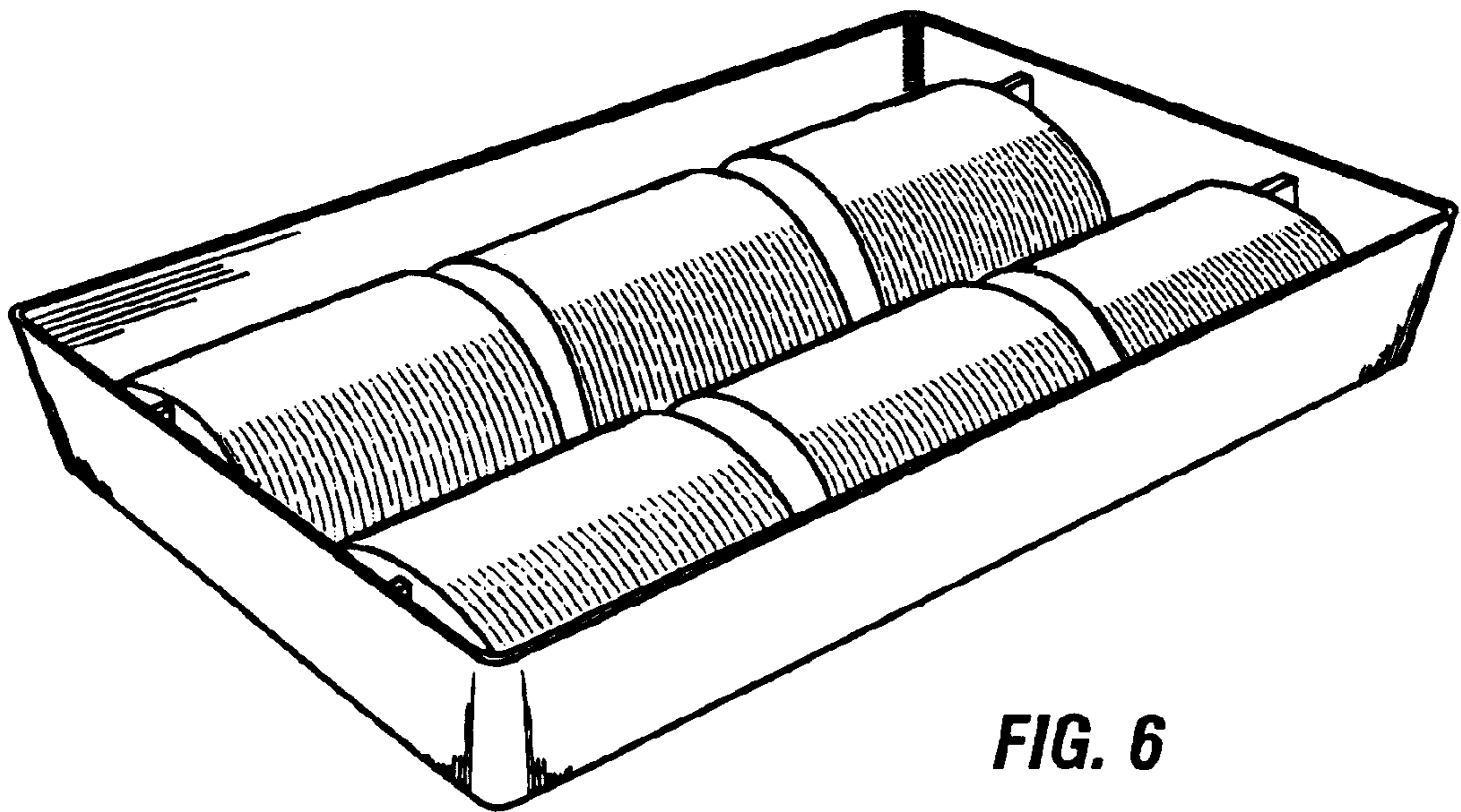
**FIG. 3**



**FIG. 4**



**FIG. 5**



**FIG. 6**