



US00D444479S

(12) **United States Design Patent**
Pace

(10) **Patent No.:** **US D444,479 S**

(45) **Date of Patent:** **** Jul. 3, 2001**

(54) **AUTO AIR CONDITIONING MANIFOLD**

(76) **Inventor:** **Scot M. Pace**, 15520 Lake Grace Dr.,
Odessa, FL (US) 33556

(**) **Term:** **14 Years**

(21) **Appl. No.:** **29/125,871**

(22) **Filed:** **Jun. 30, 2000**

(51) **LOC (7) Cl.** **15-01**

(52) **U.S. Cl.** **D15/5**

(58) **Field of Search** D15/5, 1-4, 194;
60/299, 302, 313, 323, 324; 123/184.35,
184.55, 184.61, 572

(56) **References Cited**

U.S. PATENT DOCUMENTS

D. 400,890	*	11/1998	Gambardella	D15/5
D. 405,095	*	2/1999	Wada	D15/5
5,595,150	*	1/1997	Horlacher	123/184.36
5,632,239	*	5/1997	Patyi et al.	123/184.36

OTHER PUBLICATIONS

Nippondenso—Model No. 6P148A.

Nippondenso—Model No. 10PA17A.

* cited by examiner

Primary Examiner—Melody N. Brown

(74) *Attorney, Agent, or Firm*—Pettis & Van Royen, P.A.

(57) **CLAIM**

The ornamental design for an auto air conditioning manifold, as shown and described.

DESCRIPTION

FIG. 1 is an isometric view of the auto air conditioning manifold of this invention;

FIG. 2 is a top plan view thereof;

FIG. 3 is a front elevational view thereof;

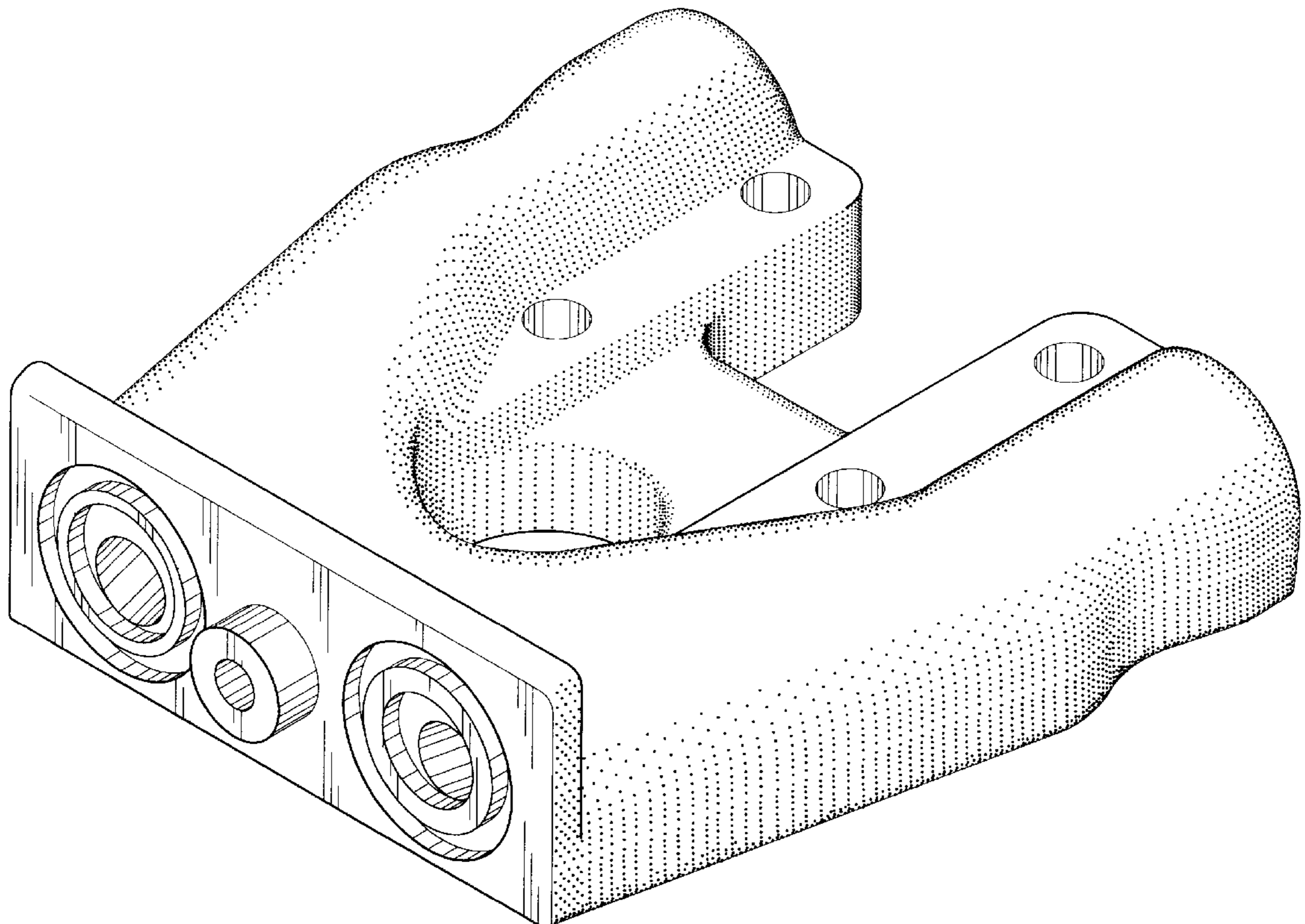
FIG. 4 is rear elevational view thereof; and,

FIG. 5 is bottom plan view thereof.

FIG. 6 is a right side elevational view thereof; and,

FIG. 7 is left side elevational view thereof.

1 Claim, 4 Drawing Sheets



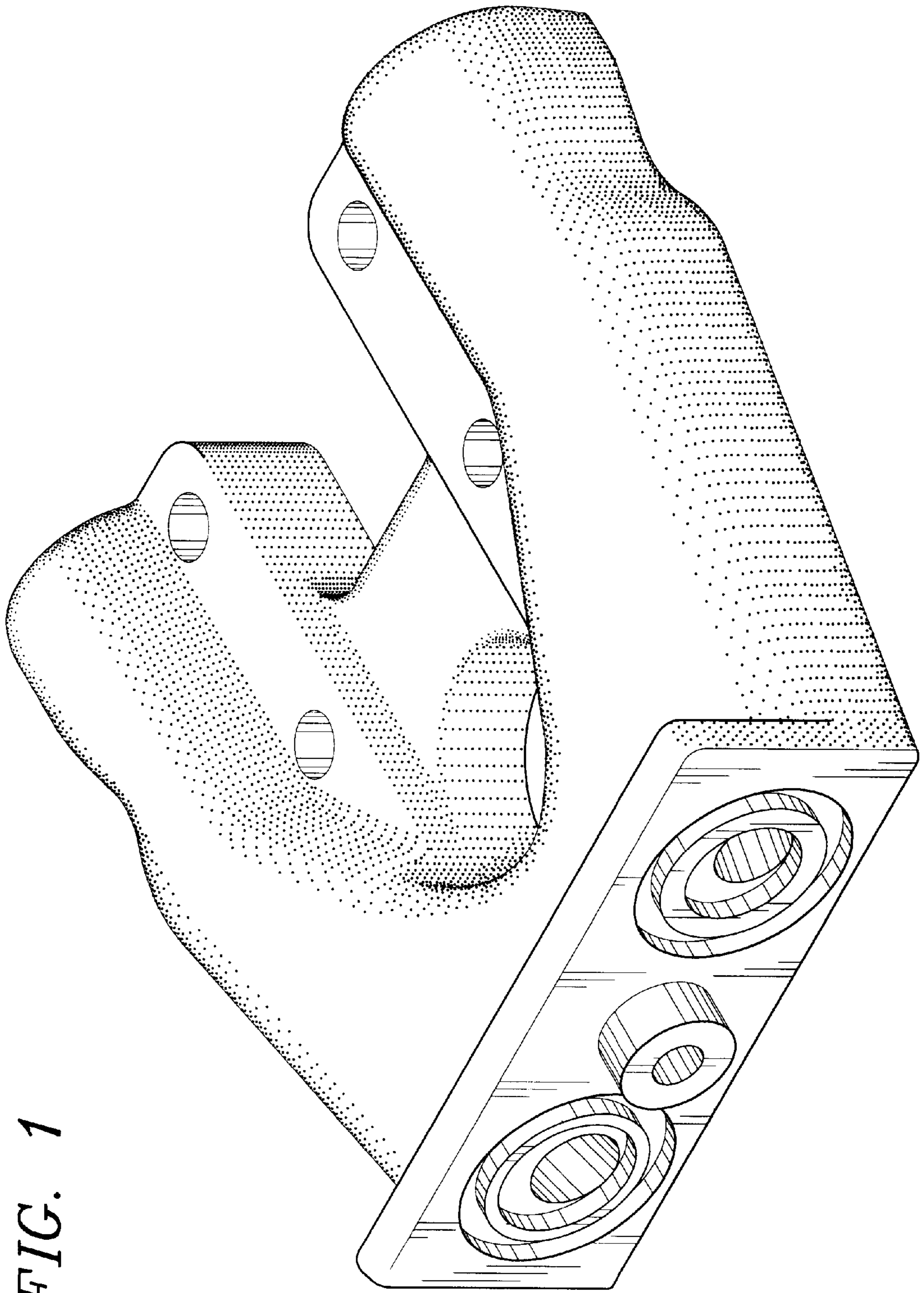


FIG. 1

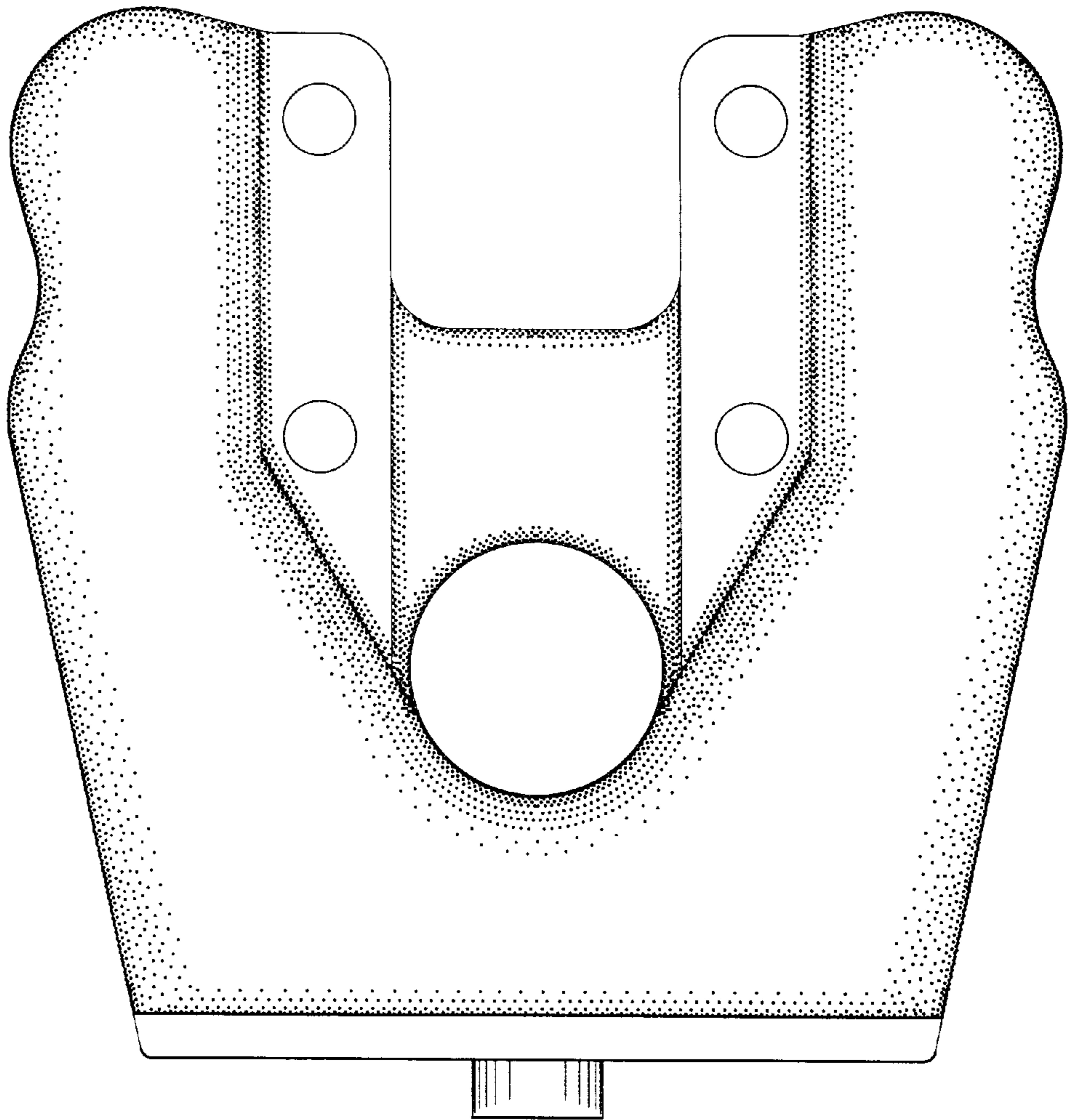


FIG. 2

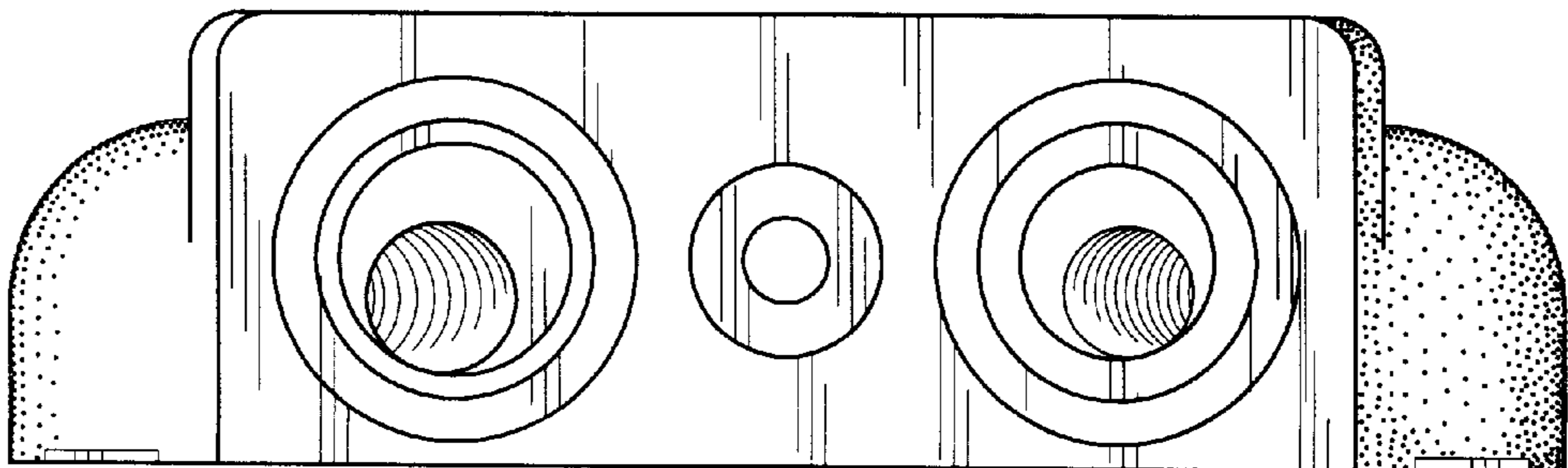


FIG. 3

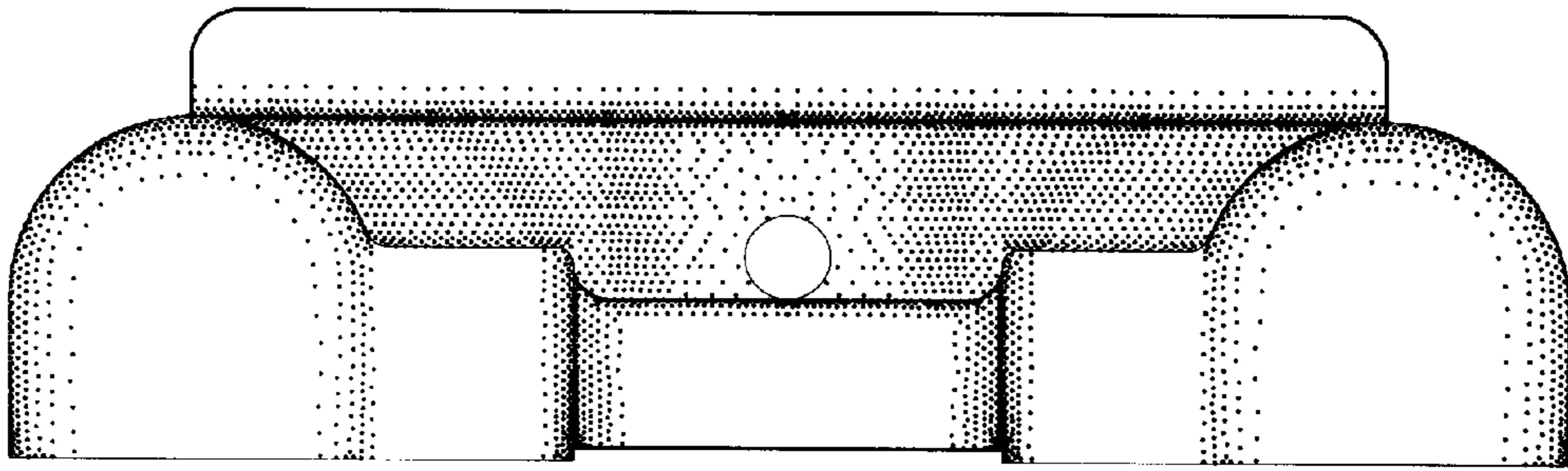


FIG. 4

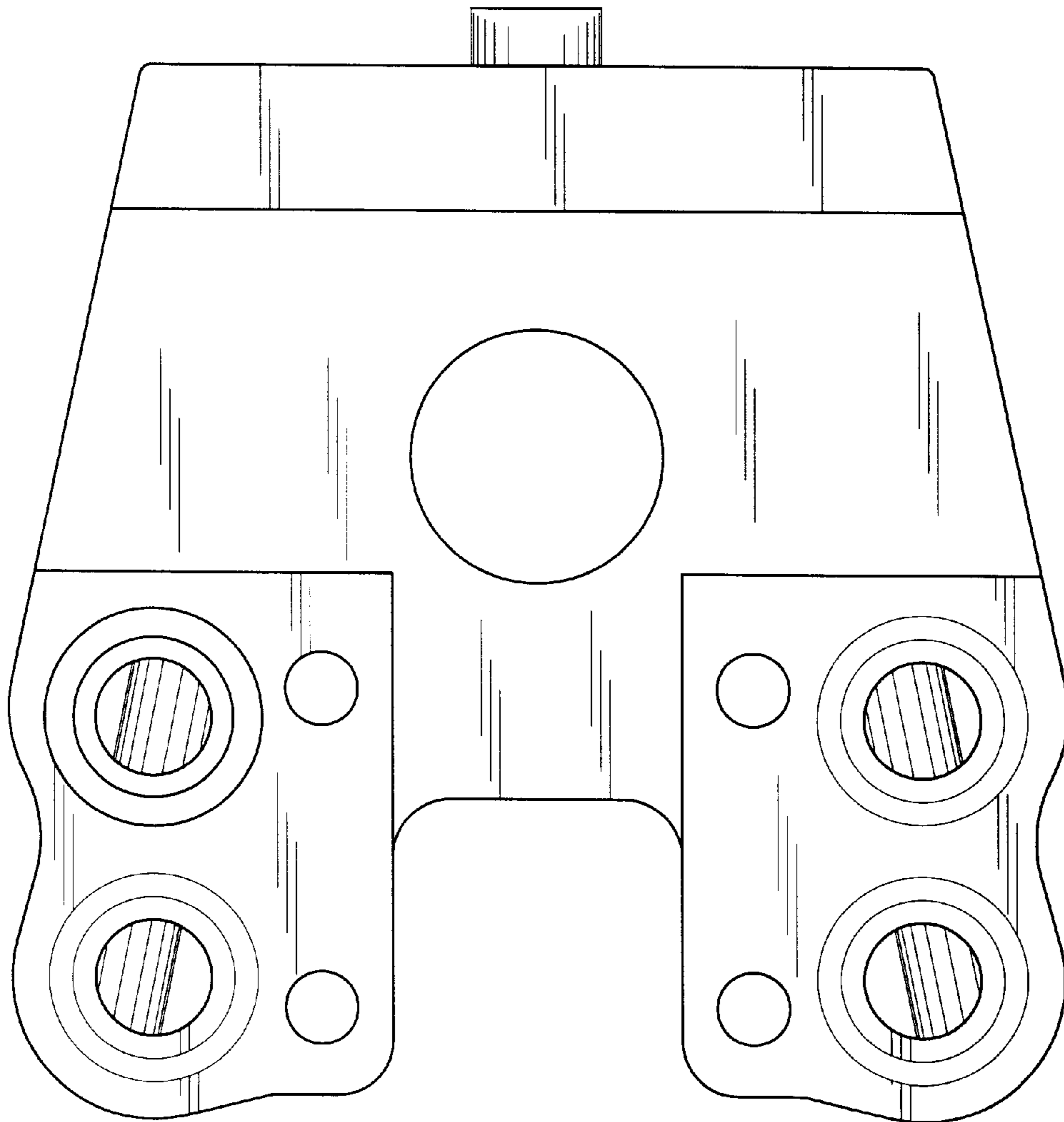


FIG. 5

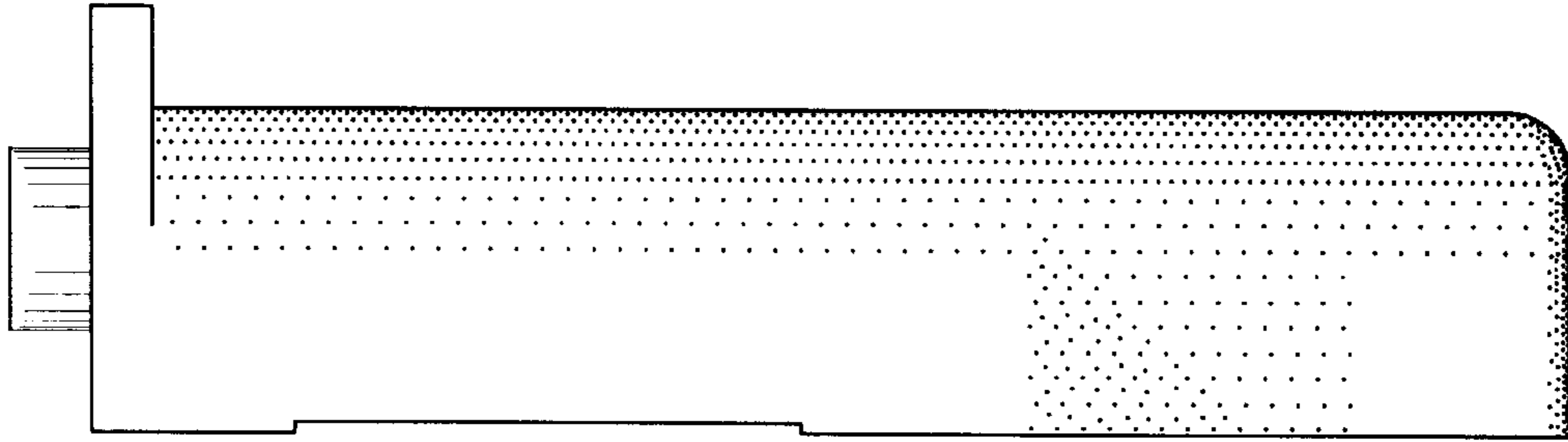


FIG. 6

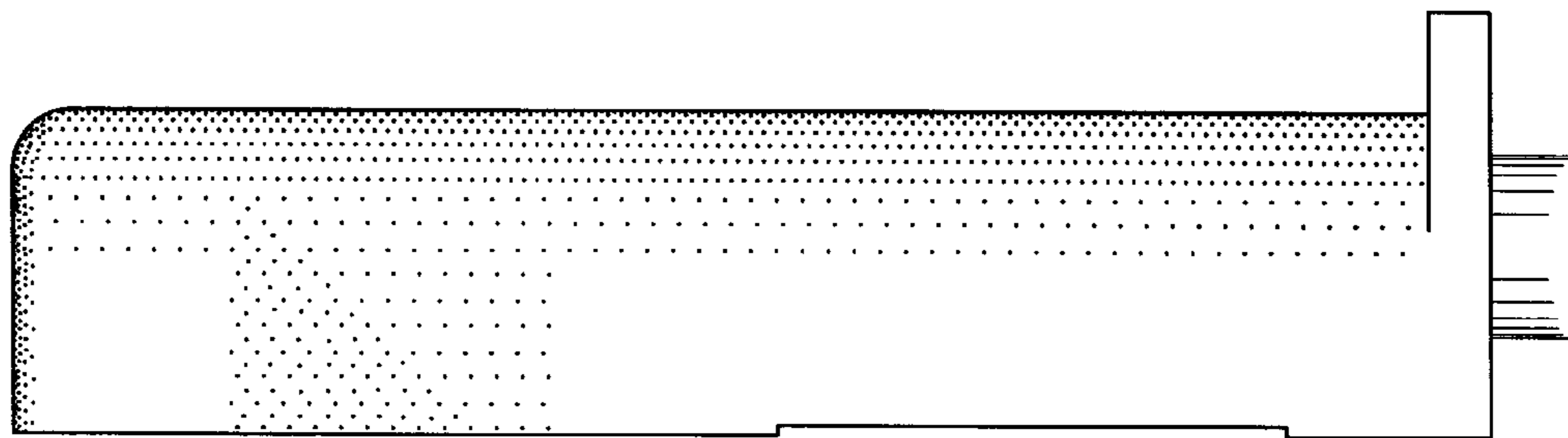


FIG. 7