



US00D444474S

(12) **United States Design Patent**
Koken et al.

(10) **Patent No.:** **US D444,474 S**

(45) **Date of Patent:** **** Jul. 3, 2001**

(54) **DRIVE SLED COVER**

D. 408,386 * 4/1999 Yeh et al. D14/445

(75) Inventors: **Michael A. Koken**, Sunnyvale; **Chris L. Whittall**, Berkeley; **Erik A. Jensen**, San Francisco; **Max G. Chen**, Palo Alto, all of CA (US)

* cited by examiner

Primary Examiner—Freda Nunn
(74) *Attorney, Agent, or Firm*—Baker Botts L.L.P.

(73) Assignee: **Silicon Graphics, Inc.**, Mountain View, CA (US)

(57) **CLAIM**

The ornamental design for a drive sled cover, as shown and described.

(**) Term: **14 Years**

DESCRIPTION

(21) Appl. No.: **29/125,873**

FIG. 1 is a perspective view taken from the top and right side of a drive sled cover showing our new design;

(22) Filed: **Jun. 30, 2000**

FIG. 2 is a front elevational view thereof;

(51) **LOC (7) Cl.** **14-02**

FIG. 3 is a right side elevational view thereof;

(52) **U.S. Cl.** **D14/445**

FIG. 4 is a left side elevational view thereof; and,

(58) **Field of Search** D14/441-446,
D14/257, 258; D13/164, 177; D10/103;
312/223.2

FIG. 5 is a top plan view thereof.

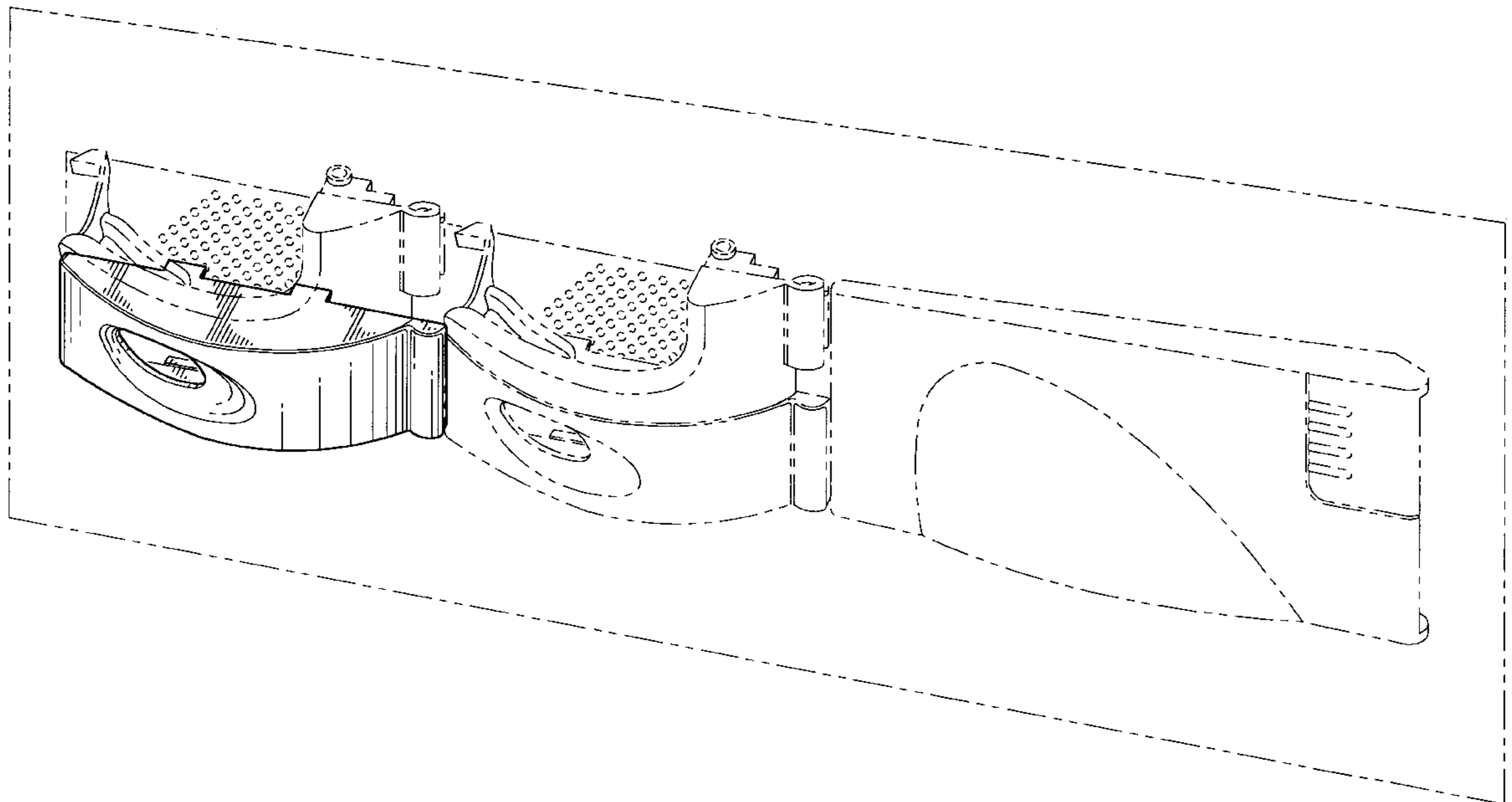
FIG. 1 is shown with the drive sled cover as used in the environment and the broken lines are shown for illustrative purposes only and form no part of the claimed design.

(56) **References Cited**

U.S. PATENT DOCUMENTS

D. 363,477 * 10/1995 Tinsley, Jr. et al. D14/445

1 Claim, 2 Drawing Sheets



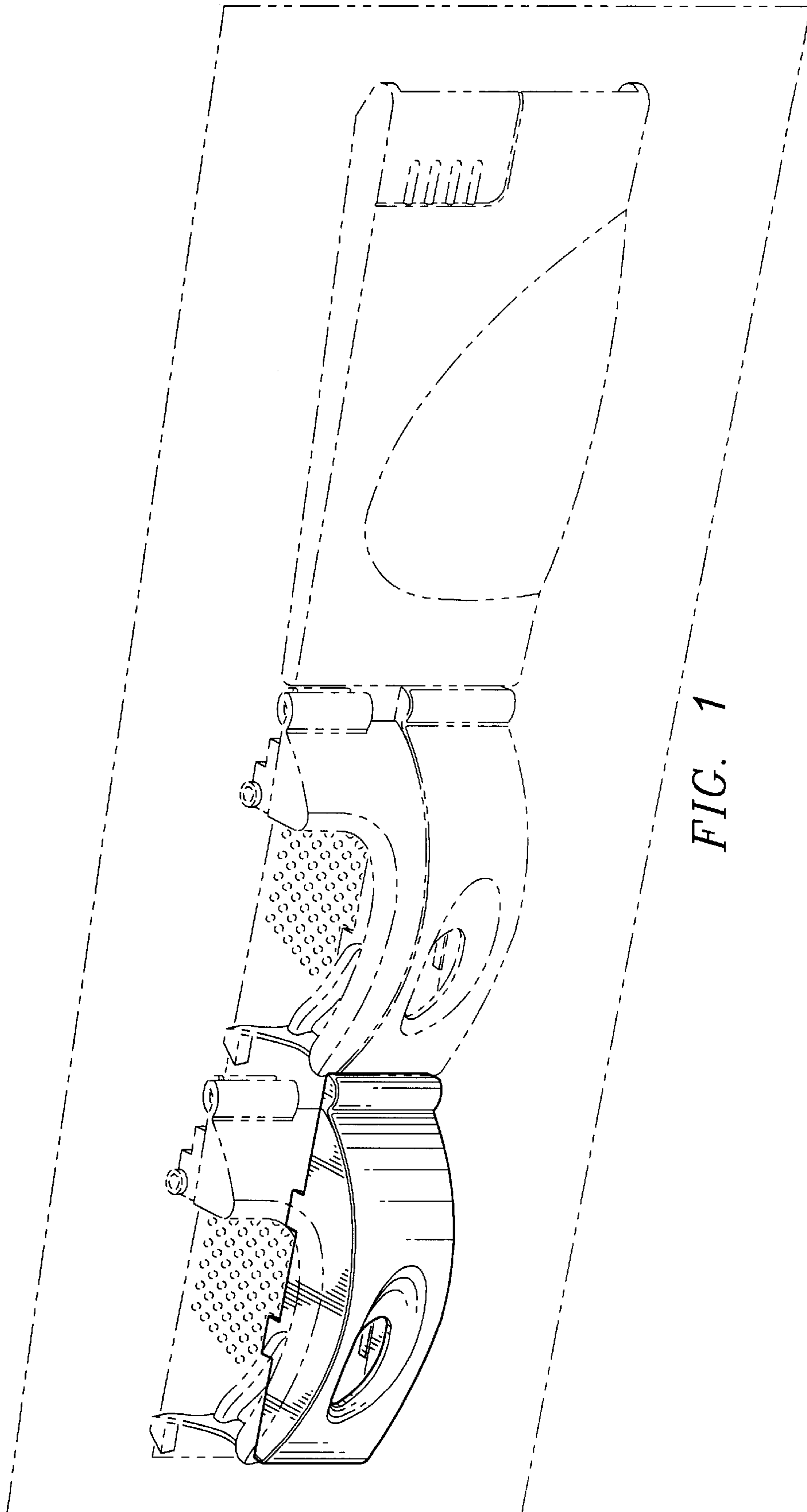


FIG. 1

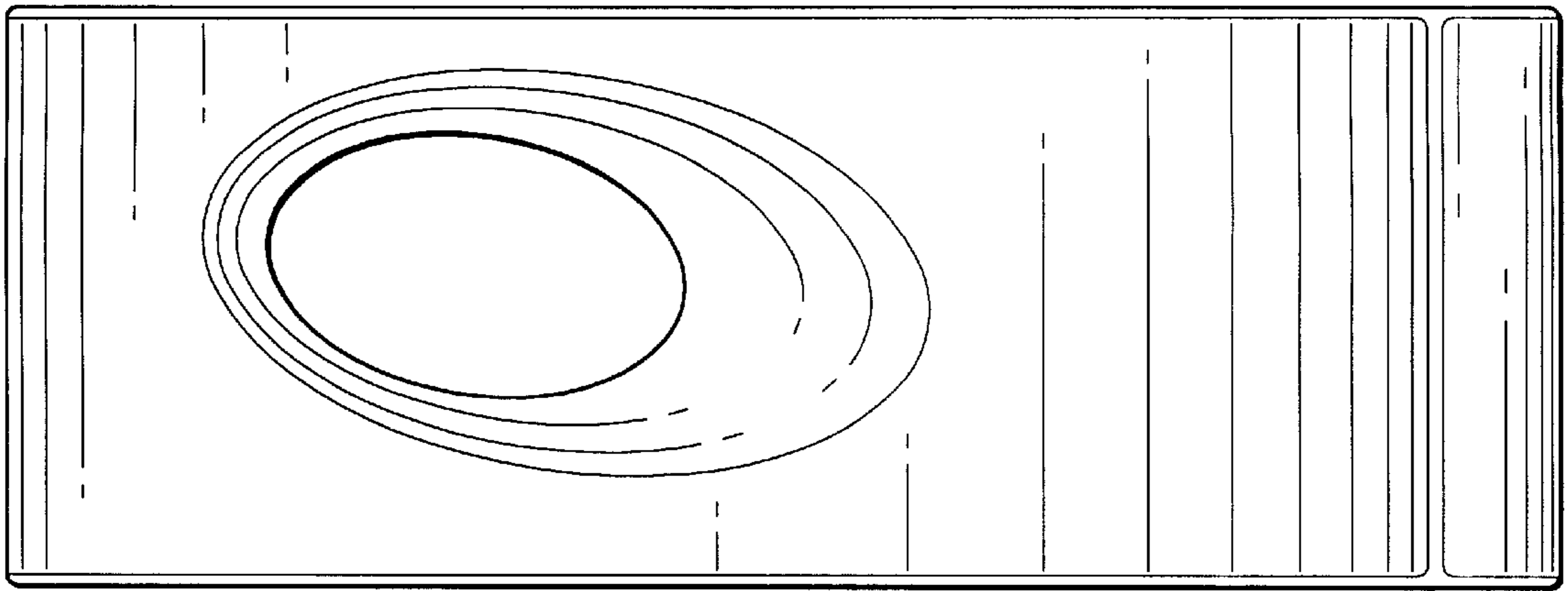


FIG. 2

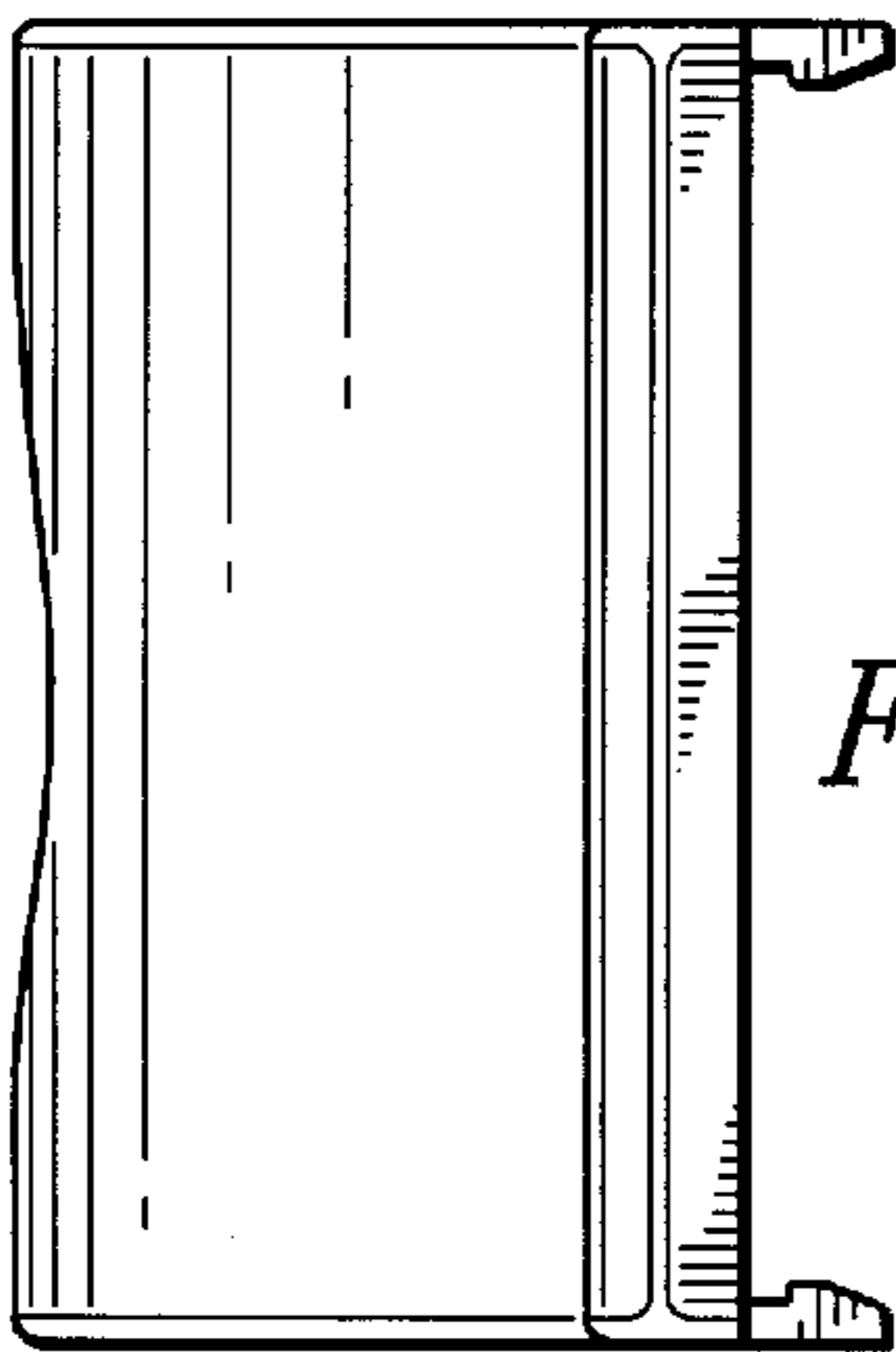


FIG. 3

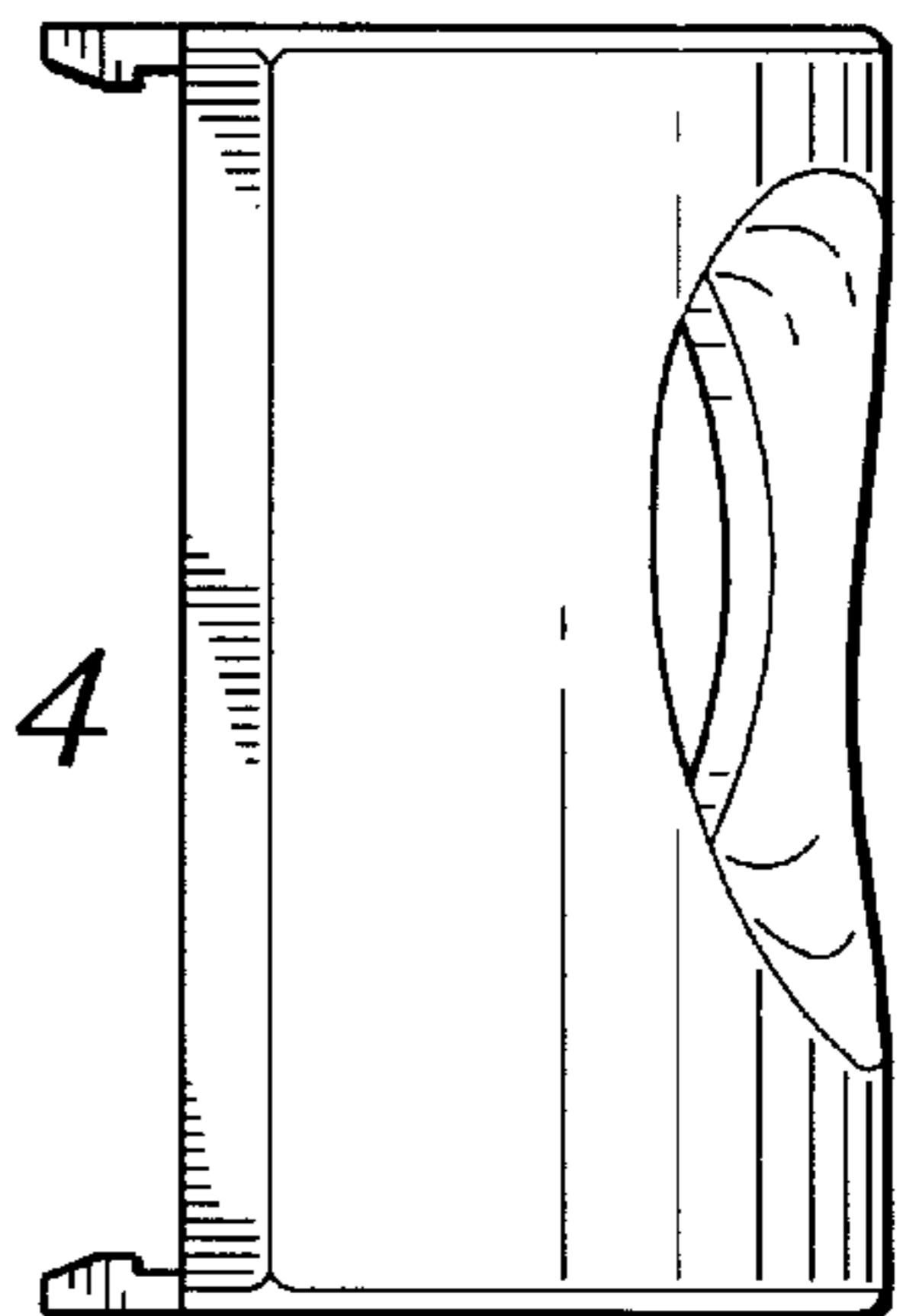


FIG. 4

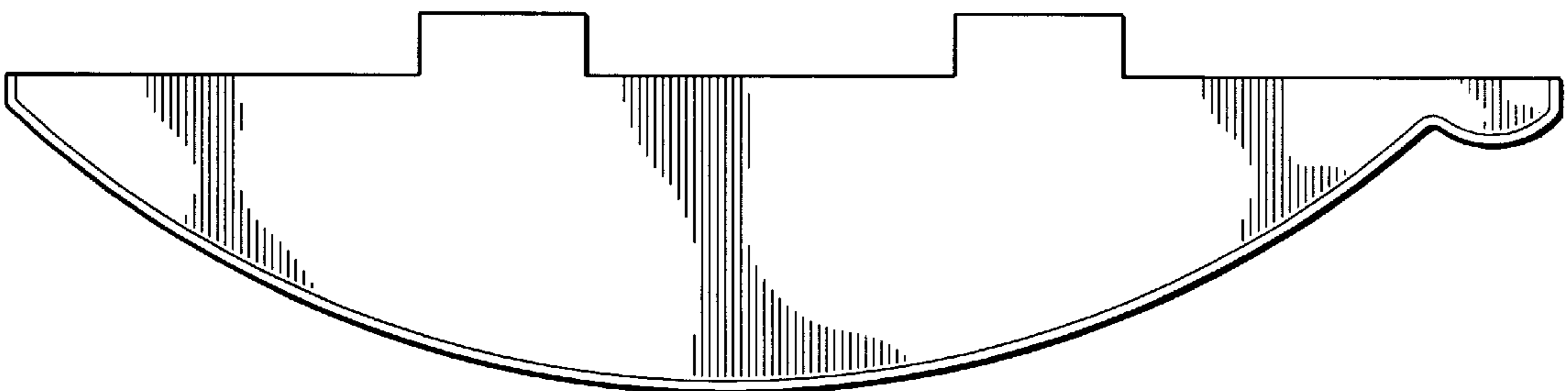


FIG. 5