



US00D444471S

(12) **United States Design Patent**  
**Koken et al.**

(10) **Patent No.: US D444,471 S**

(45) **Date of Patent: \*\* Jul. 3, 2001**

(54) **DRIVE SLED HANDLE**

D. 423,479 \* 4/2000 Alo et al. .... D14/432  
5,526,662 \* 6/1996 Lin ..... 70/233

(75) Inventors: **Michael A. Koken**, Sunnyvale; **Chris L. Whittall**, Berkeley; **Erik A. Jensen**, San Francisco; **Max G. Chen**, Palo Alto, all of CA (US)

\* cited by examiner

*Primary Examiner*—Freda Nunn  
(74) *Attorney, Agent, or Firm*—Baker Botts L.L.P.

(73) Assignee: **Silicon Graphics, Inc.**, Mountain View, CA (US)

(57) **CLAIM**

(\*\*) Term: **14 Years**

The ornamental design for a drive sled handle, as shown and described.

(21) Appl. No.: **29/125,872**

**DESCRIPTION**

(22) Filed: **Jun. 30, 2000**

FIG. 1 is a perspective view taken from the top and right side of a drive sled handle showing our new design;  
FIG. 2 is a front elevational view thereof;  
FIG. 3 is a right side elevational view thereof;  
FIG. 4 is a rear elevational view thereof  
FIG. 5 is a left side elevational view thereof;  
FIG. 6 is a top plan view thereof; and,  
FIG. 7 is a bottom plan view thereof.  
FIG. 1 is shown with the drive sled handle as used in the environment and the broken lines are shown for illustrative purposes only and form no part of the claimed design.

(51) **LOC (7) Cl.** ..... **14-02**

(52) **U.S. Cl.** ..... **D14/432**

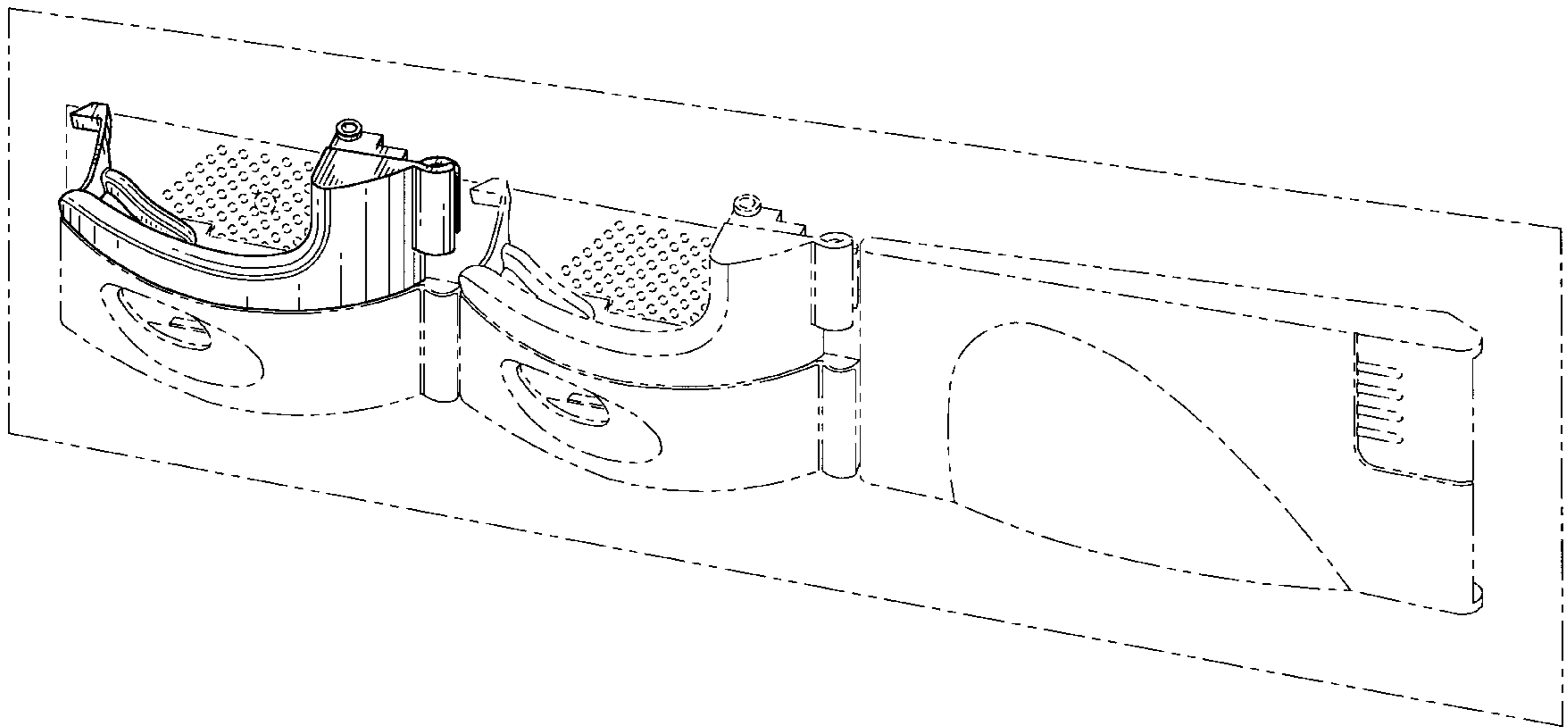
(58) **Field of Search** ..... D14/432, 439,  
D14/367; D8/300, 302, 306, 307, 308;  
70/233

(56) **References Cited**

**U.S. PATENT DOCUMENTS**

D. 117,800 \* 11/1939 Sawicki ..... D8/306  
D. 383,736 \* 9/1997 Corrington et al. .... D14/367

**1 Claim, 2 Drawing Sheets**



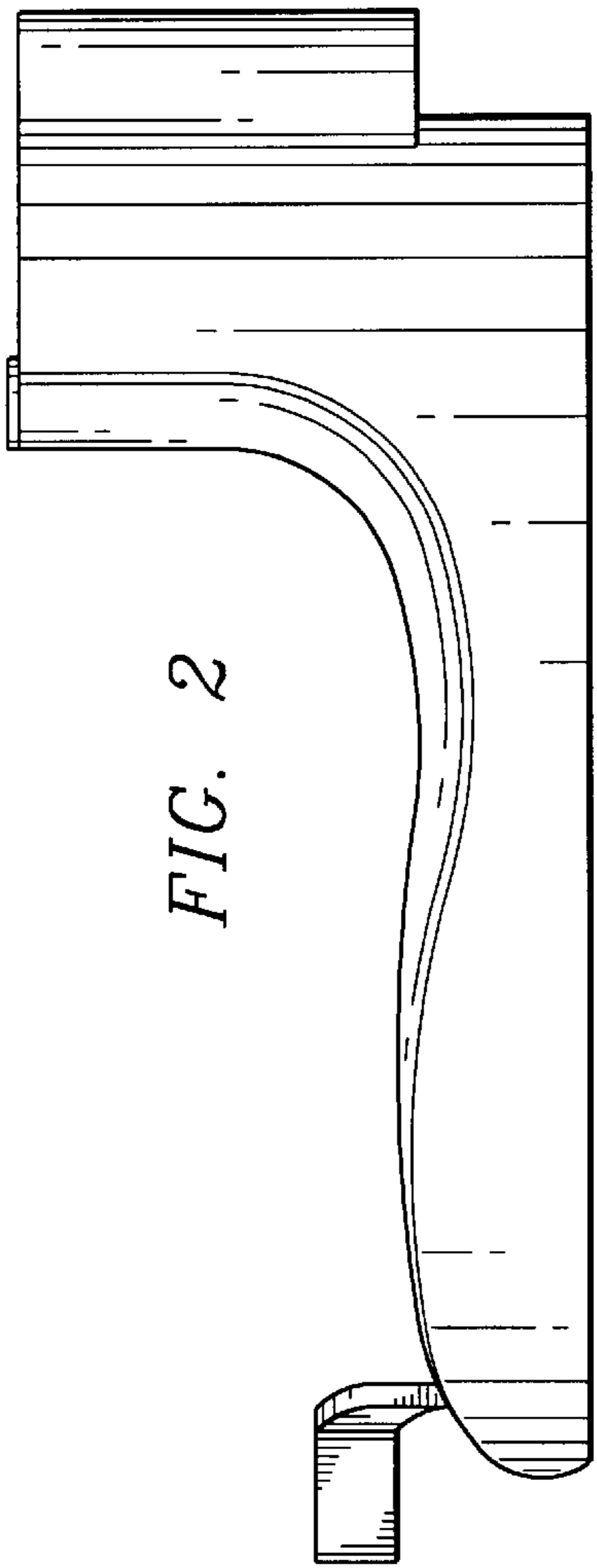


FIG. 2

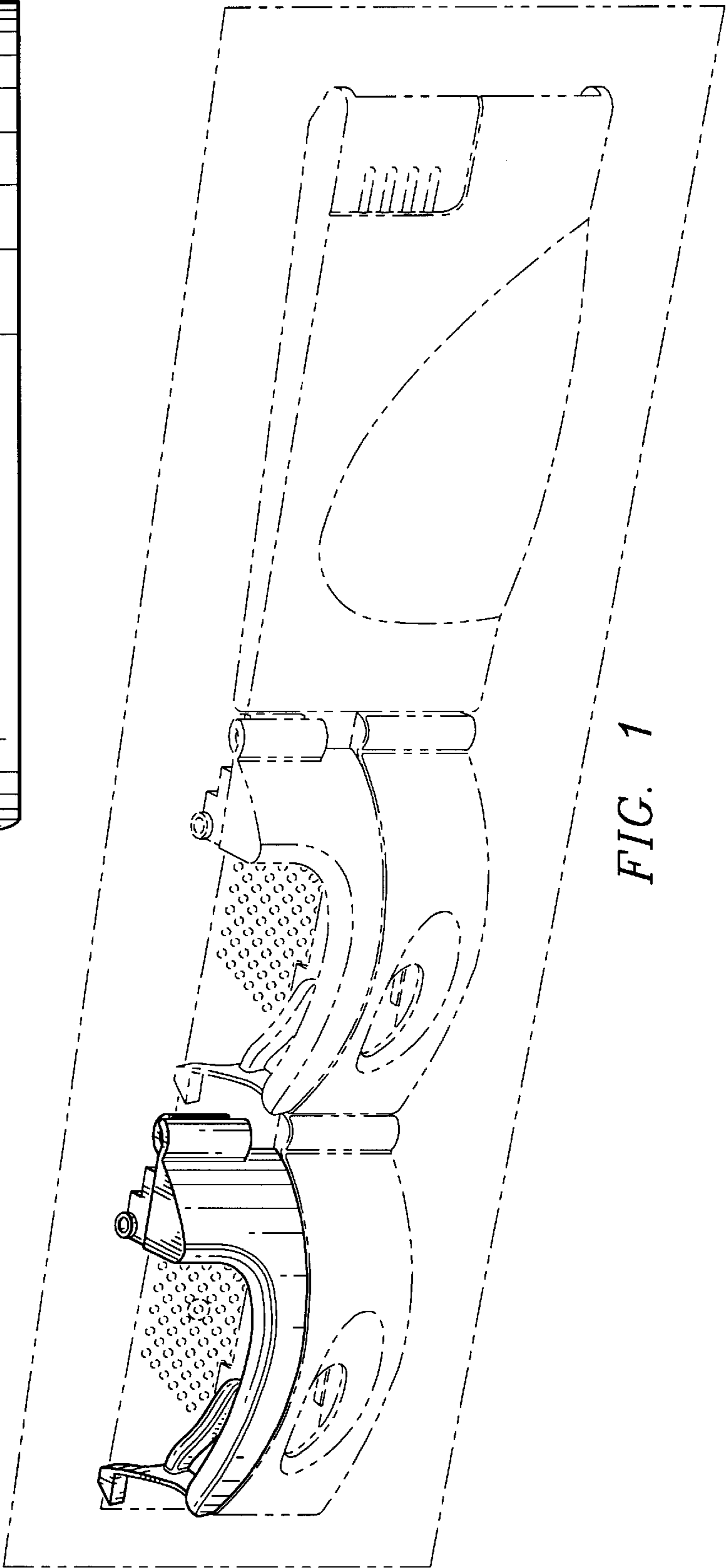


FIG. 1

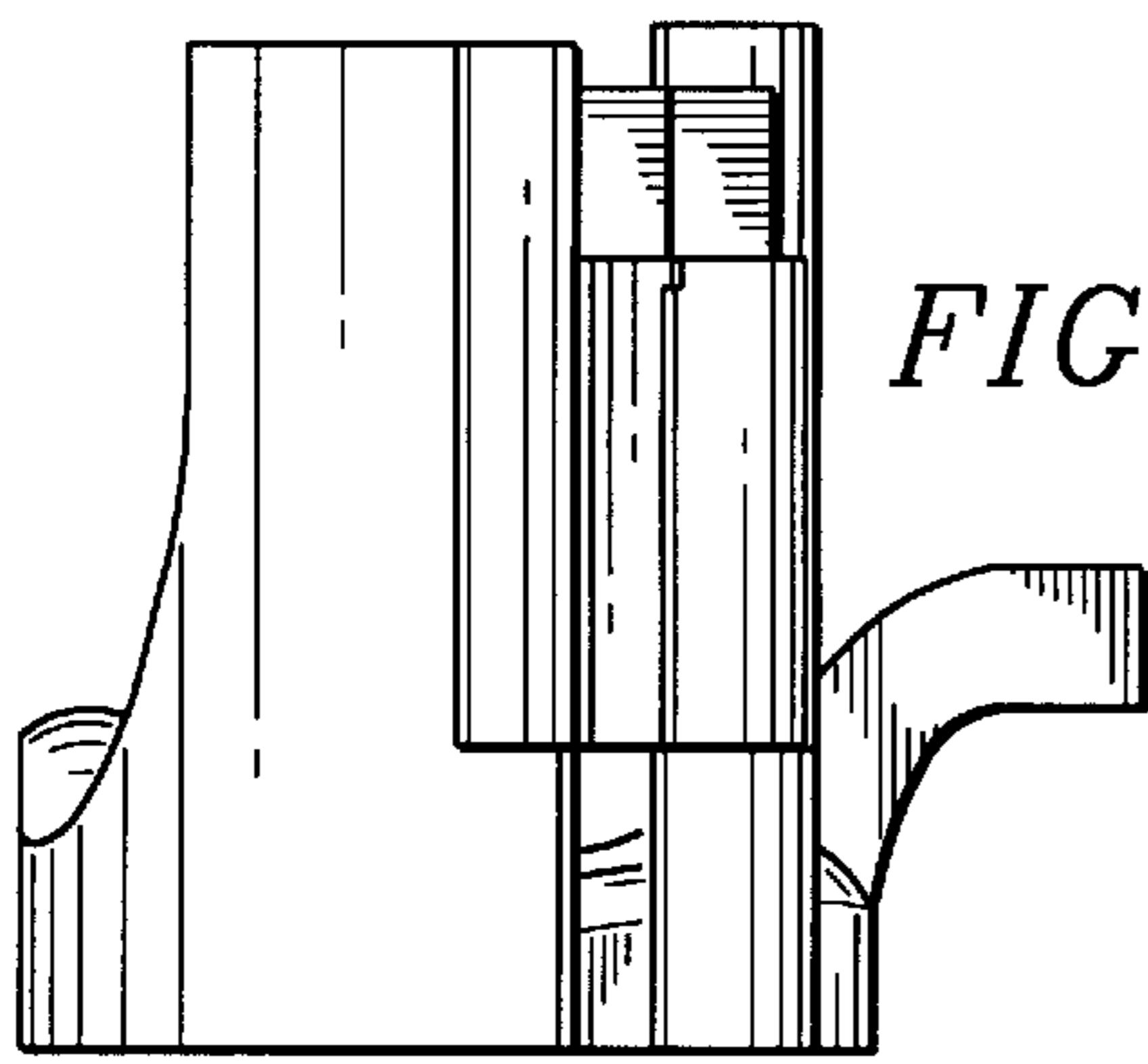


FIG. 3

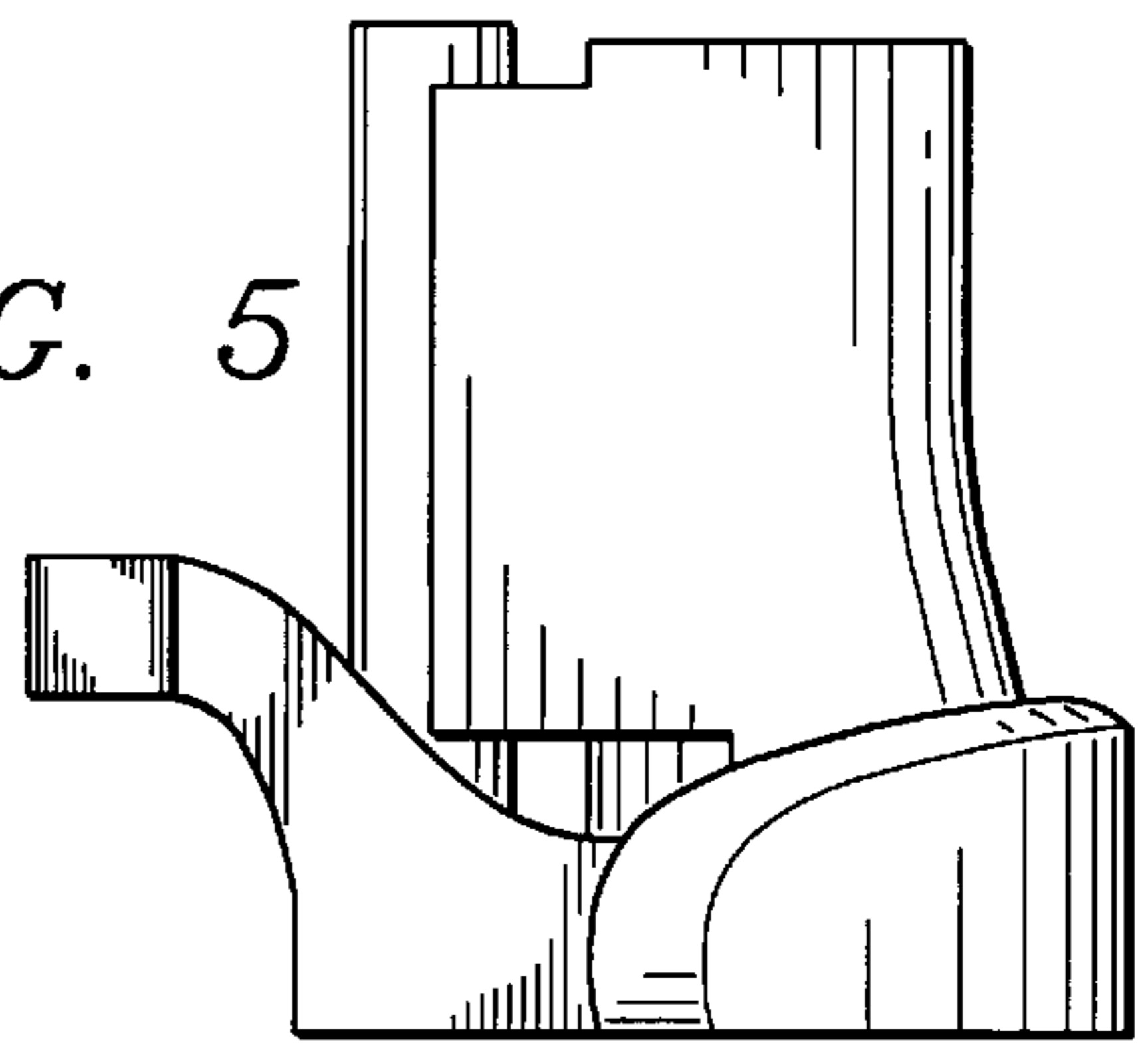


FIG. 5

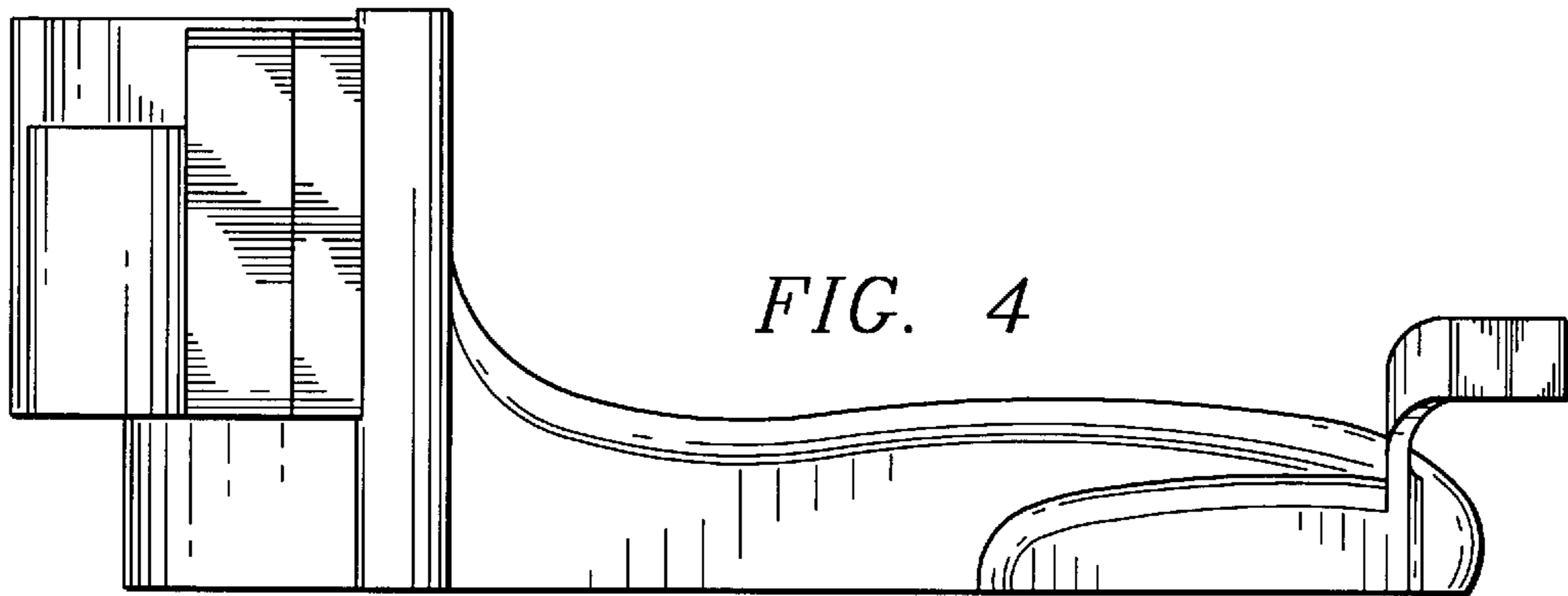


FIG. 4

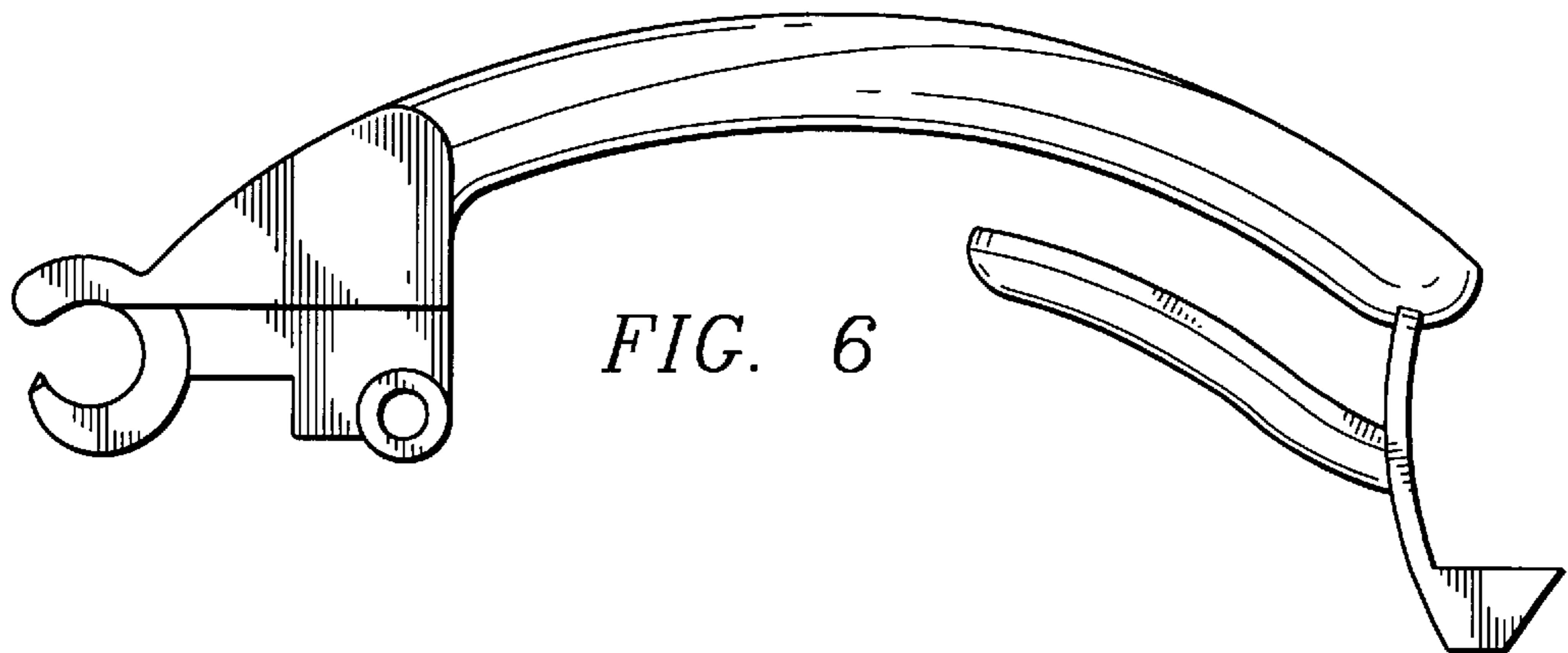


FIG. 6

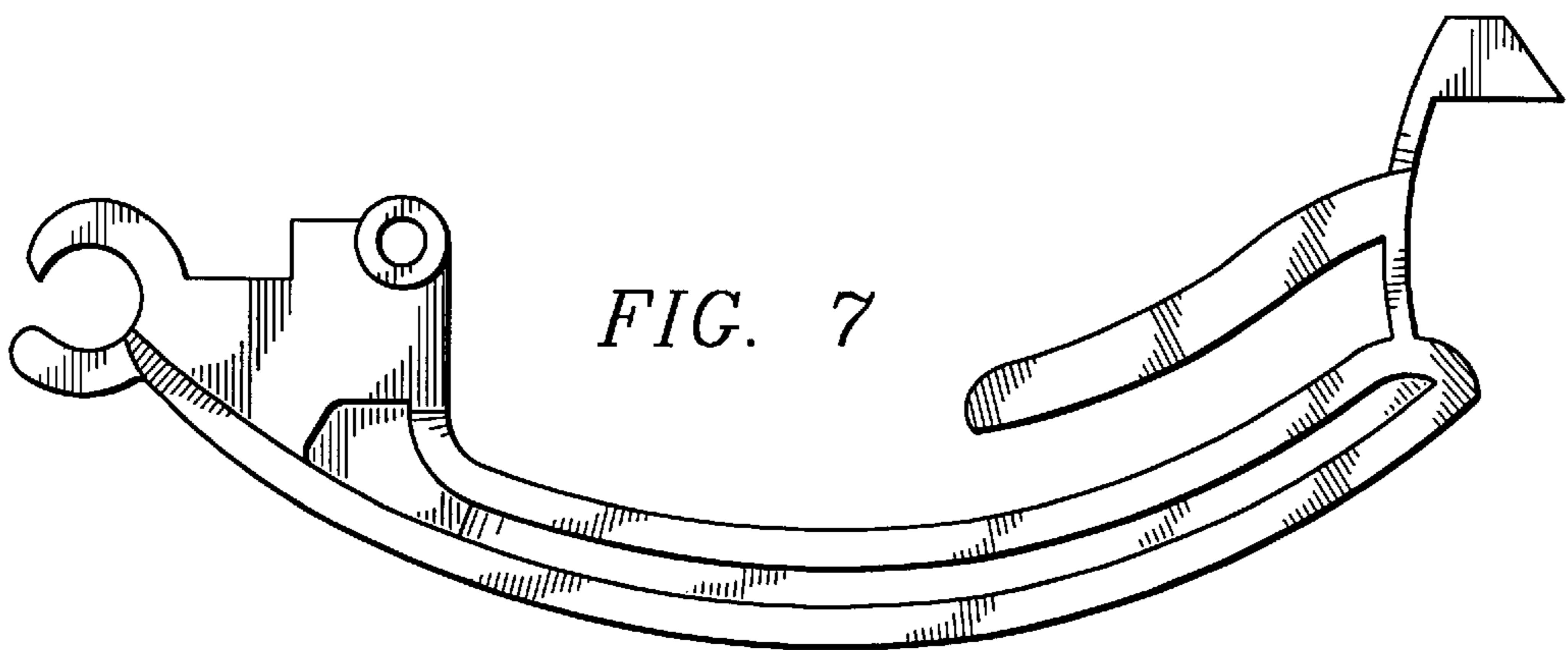


FIG. 7