



US00D444466S

(12) **United States Design Patent**
Nishida

(10) **Patent No.:** **US D444,466 S**

(45) **Date of Patent:** **** Jul. 3, 2001**

(54) **ELECTRONIC ORGANIZER**

(75) **Inventor:** **Kohji Nishida, Nara-ken (JP)**

(73) **Assignee:** **Sharp Kabushiki Kaisha, Osaka (JP)**

(**) **Term:** **14 Years**

(21) **Appl. No.:** **29/127,617**

(22) **Filed:** **Aug. 10, 2000**

(30) **Foreign Application Priority Data**

Feb. 10, 2000 (JP) 12-002183

(51) **LOC (7) Cl.** **14-02**

(52) **U.S. Cl.** **D14/345**

(58) **Field of Search** D14/341, 345,
D14/346; D18/1, 2, 7; 235/145 A, 145 R;
341/22, 23; 345/156, 168, 169, 172, 173,
87; 349/12

(56) **References Cited**

U.S. PATENT DOCUMENTS

- D. 330,016 10/1992 Mizusugi et al. .
- D. 334,182 3/1993 Mizusugi et al. .
- D. 335,124 4/1993 Mizusugi et al. .
- D. 338,880 8/1993 Mizusugi et al. .
- D. 339,114 9/1993 Mizusugi et al. .
- D. 340,920 11/1993 Okuda et al. .
- D. 340,921 11/1993 Mizusugi et al. .
- D. 343,167 1/1994 Mizusugi et al. .
- D. 344,496 2/1994 Mizusugi et al. .
- D. 351,613 10/1994 Sakaguchi et al. .
- D. 354,046 1/1995 Sakaguchi et al. .
- D. 355,166 2/1995 Sakaguchi et al. .
- D. 357,674 4/1995 Mizusugi .

- D. 360,621 * 7/1995 Schoening D14/345
- D. 368,702 4/1996 Shimizu .
- D. 384,043 9/1997 Tamaki .
- D. 385,856 11/1997 Kawa .
- D. 388,456 * 12/1997 Takahata et al. D14/345
- D. 402,967 * 12/1998 Hanafsa et al. D14/345
- D. 404,021 1/1999 Nishida .
- D. 405,434 2/1999 Mizuno .
- D. 409,987 5/1999 Okumura .
- D. 413,107 8/1999 Kawa et al. .
- D. 425,874 5/2000 Tanimura .

FOREIGN PATENT DOCUMENTS

955508 3/1996 (JP) .

* cited by examiner

Primary Examiner—Freda Nunn

(74) *Attorney, Agent, or Firm*—Nixon & Vanderhye

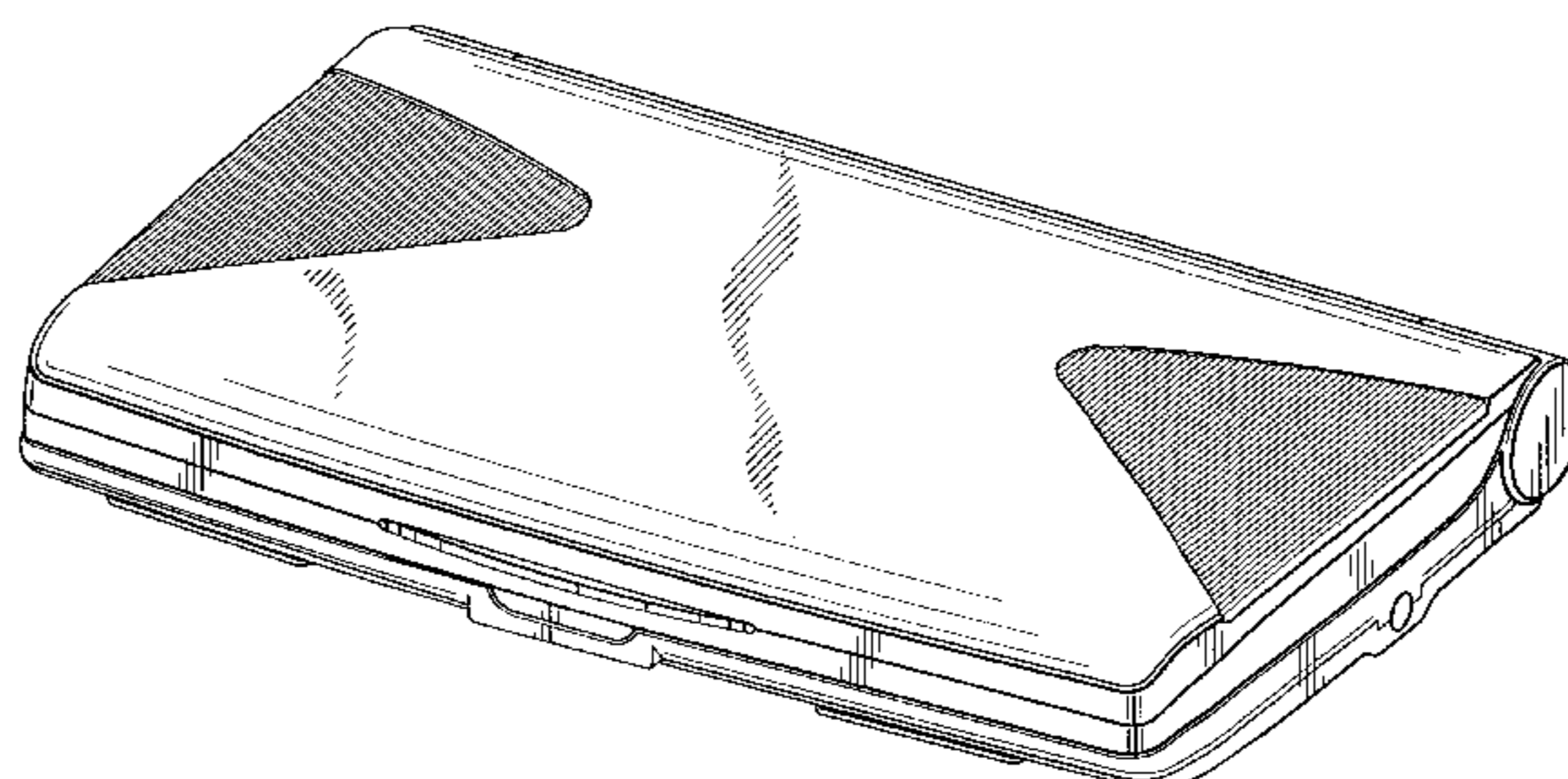
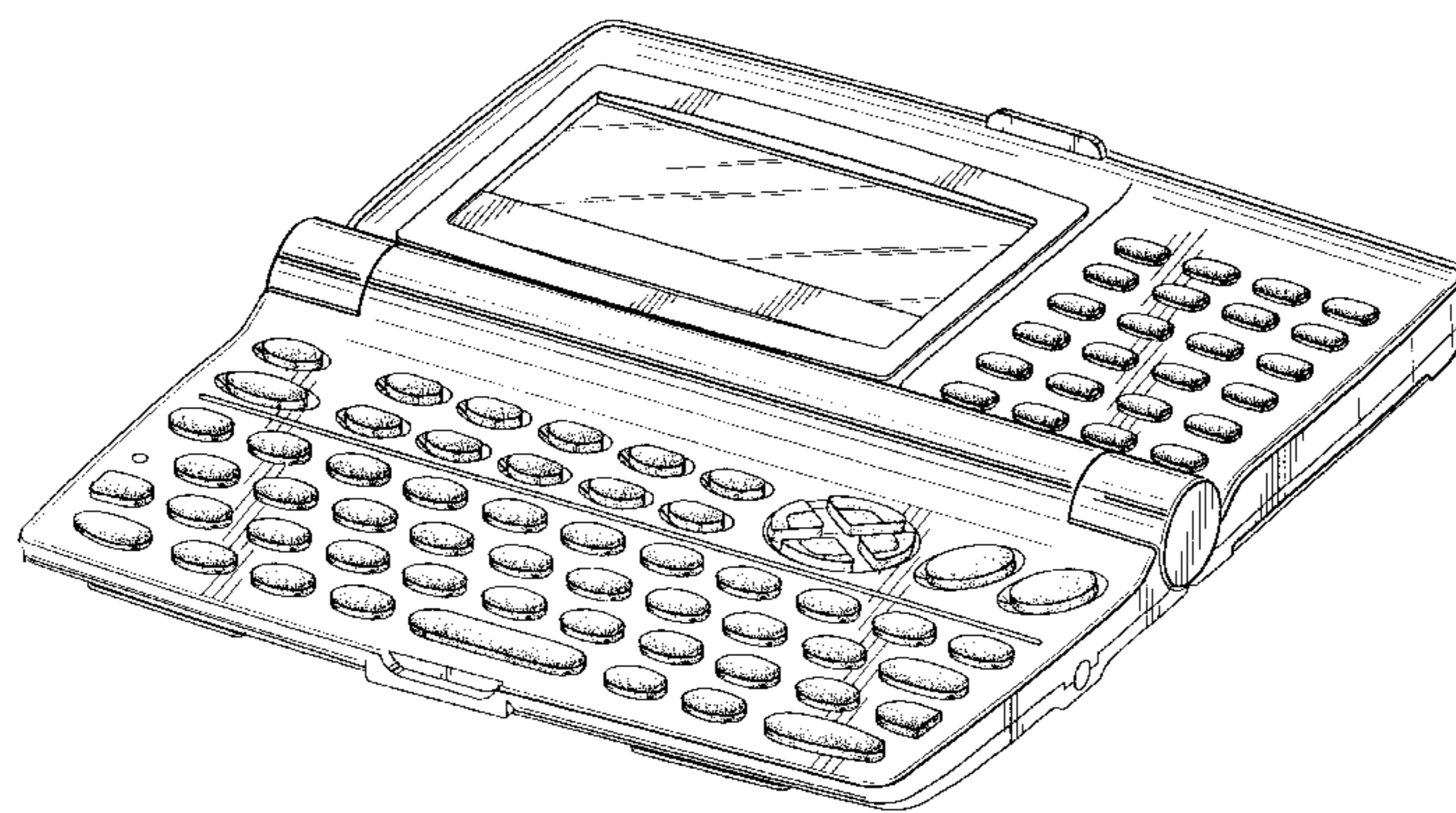
(57) **CLAIM**

The ornamental design for an “electronic organizer,” as shown and described.

DESCRIPTION

FIG. 1 is a top, front and right side perspective view of an electronic organizer according to my design;
 FIG. 2 is a top plan view thereof;
 FIG. 3 is a bottom plan view thereof;
 FIG. 4 is a front elevational view thereof;
 FIG. 5 is a rear elevational view thereof;
 FIG. 6 is a right side elevational view thereof;
 FIG. 7 is a left side elevational view thereof; and,
 FIG. 8 is a top, front and right side perspective view thereof in a closed position.

1 Claim, 5 Drawing Sheets



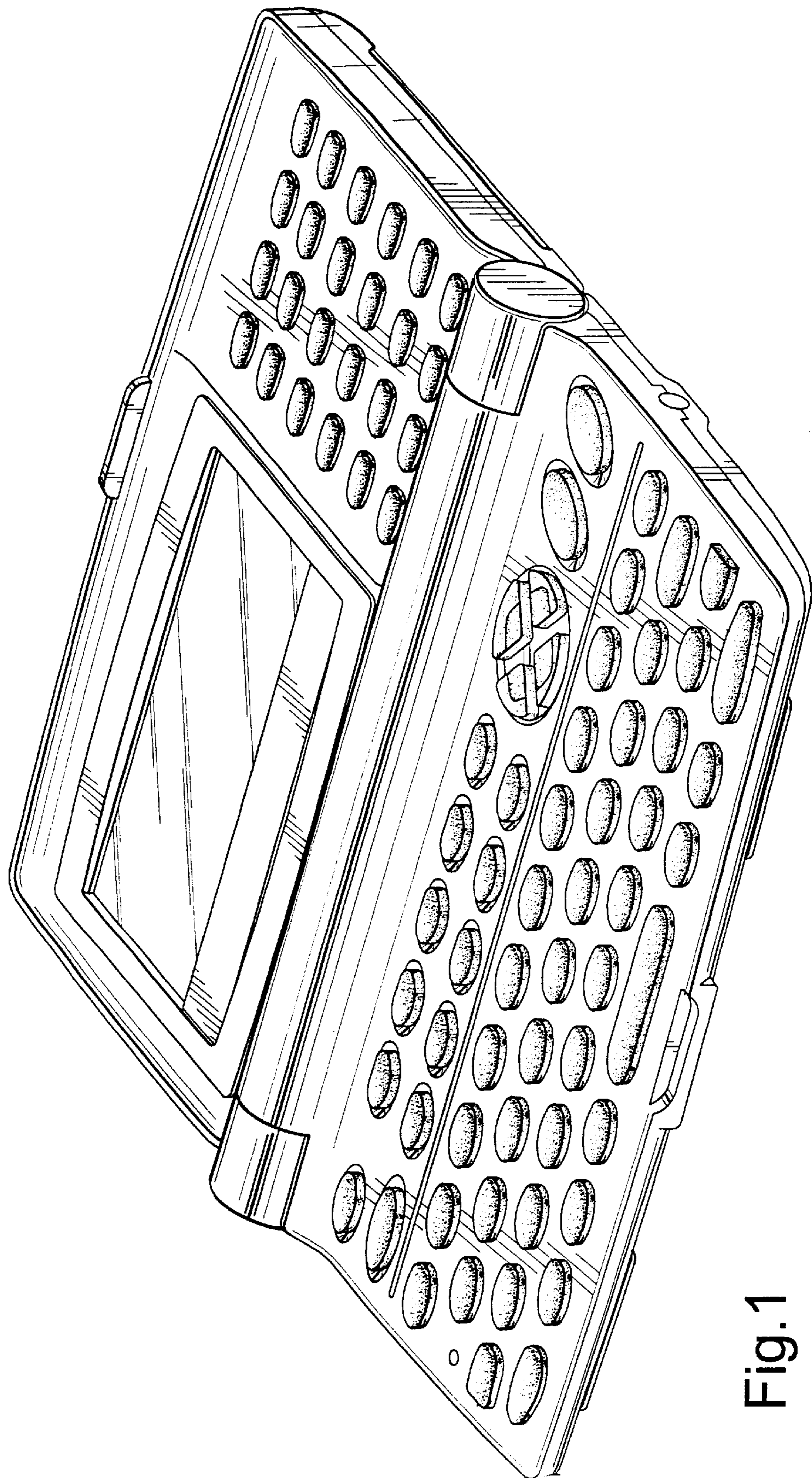


Fig. 1

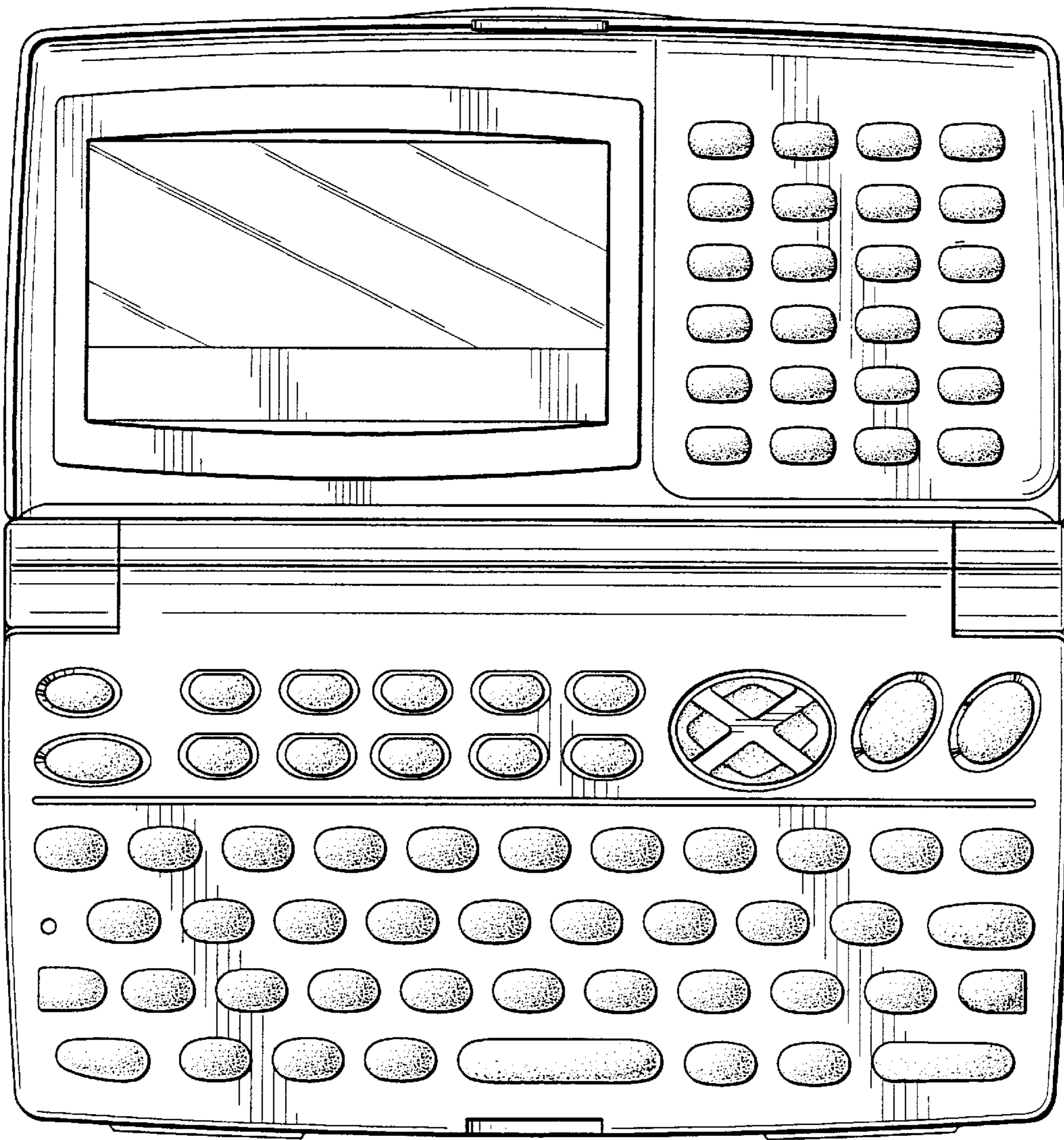


Fig.2

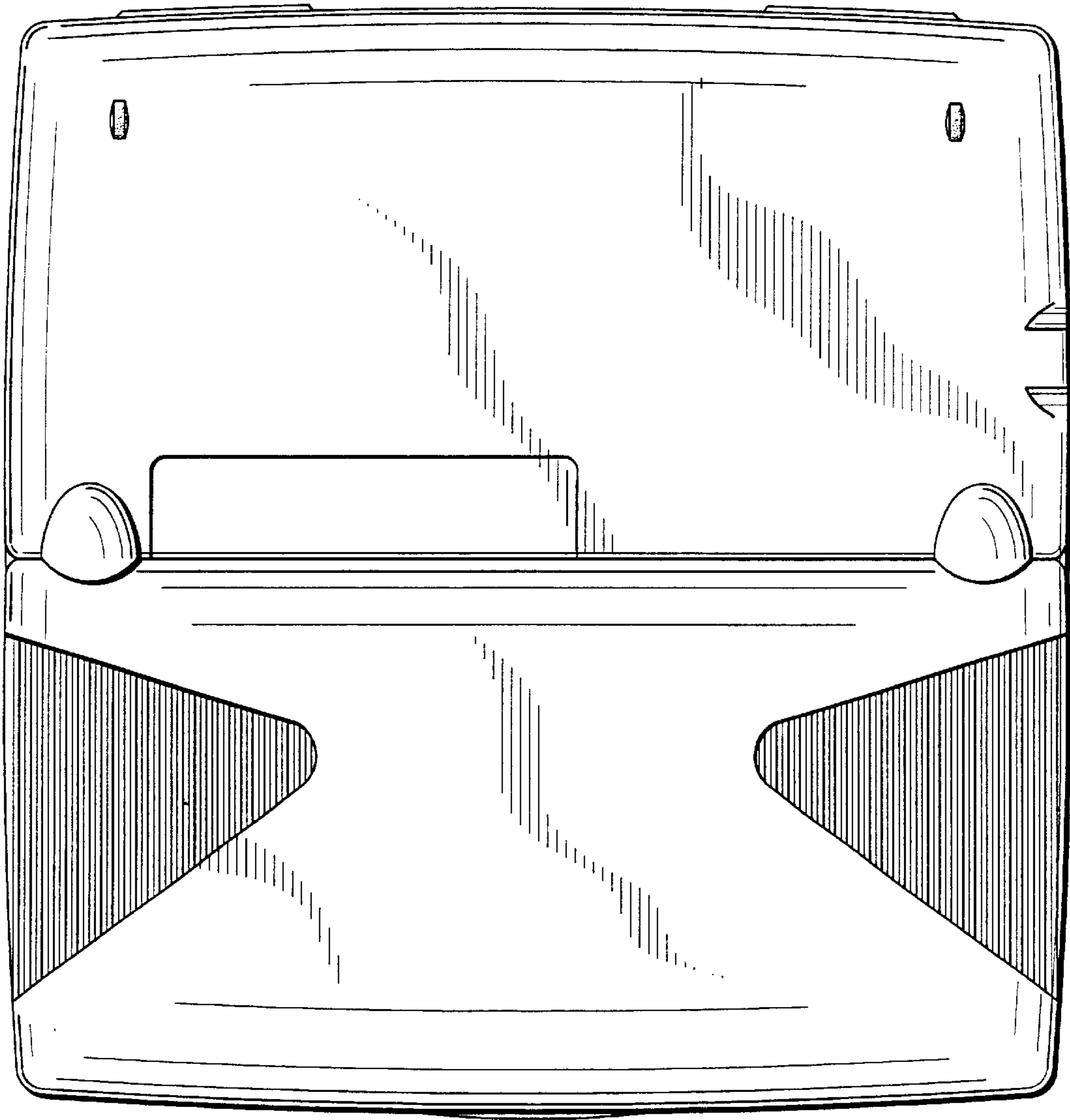


Fig.3

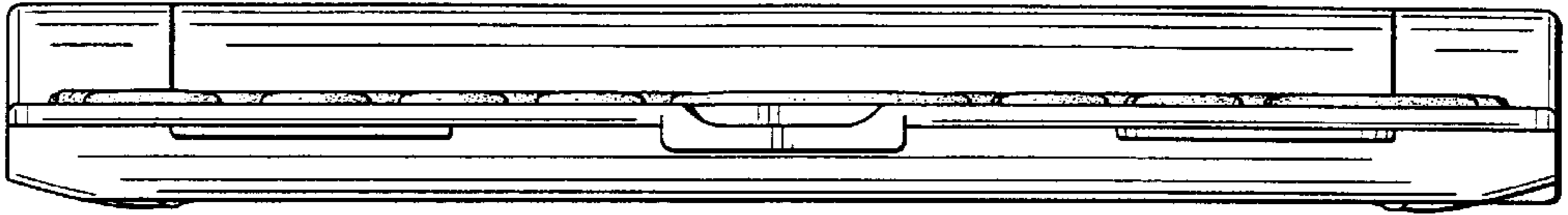


Fig.4

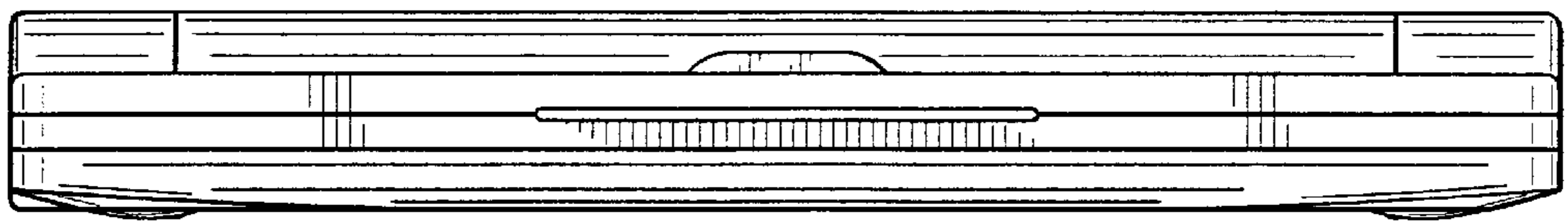


Fig.5

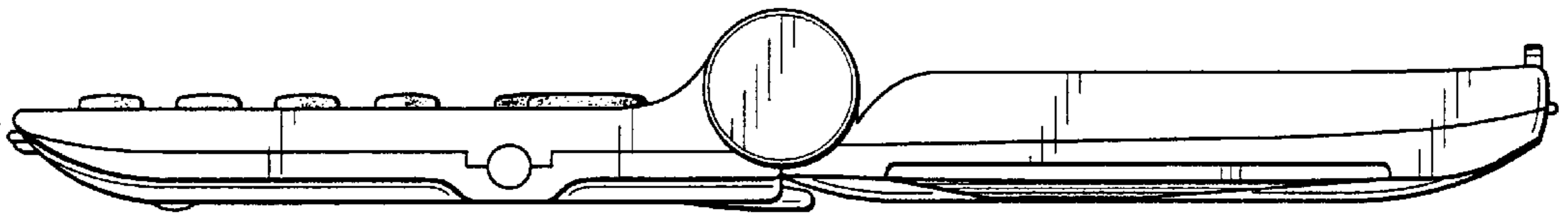


Fig.6

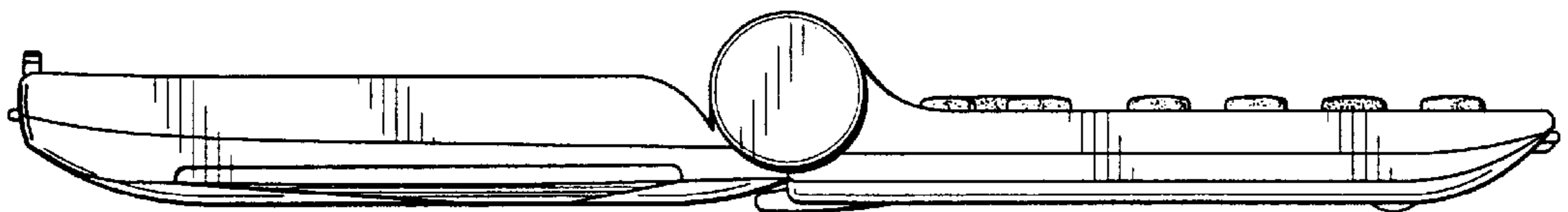


Fig.7

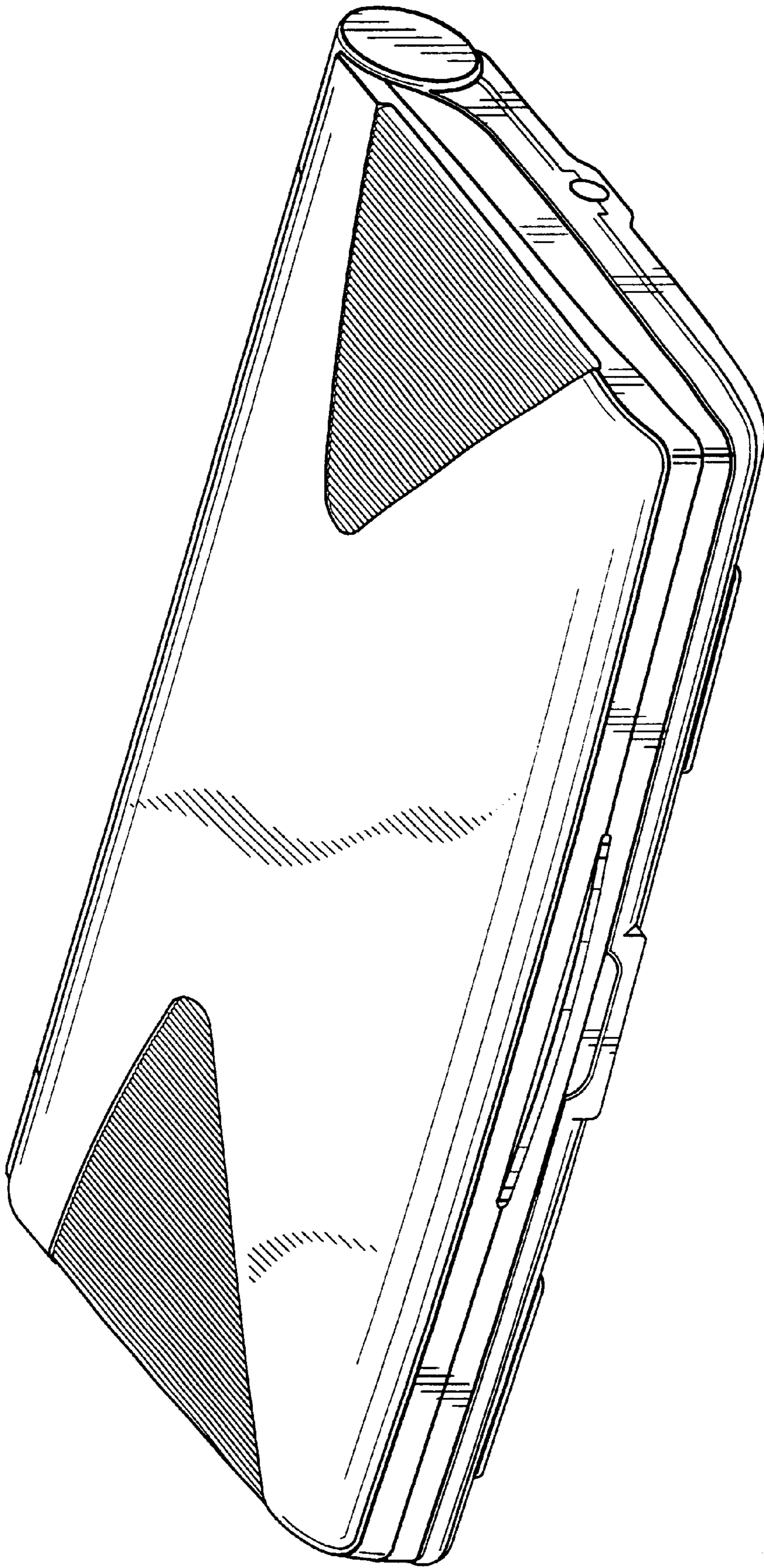


Fig.8