



US00D444461S

(12) **United States Design Patent**  
**Koken et al.**

(10) **Patent No.: US D444,461 S**

(45) **Date of Patent: \*\* Jul. 3, 2001**

(54) **SERVER COVER**

D. 418,490 \* 1/2000 Jobs et al. .... D14/351  
5,646,823 \* 7/1997 Amori ..... 361/695

(75) Inventors: **Michael A. Koken**, Sunnyvale;  
**Stephen D. Smithson**, Redwood City;  
**Chris L. Whittall**, Berkeley; **Erik A. Jensen**, San Francisco; **Max G. Chen**, Palo Alto, all of CA (US)

\* cited by examiner

*Primary Examiner*—Freda Nunn  
(74) *Attorney, Agent, or Firm*—Baker Botts L.L.P.

(73) Assignee: **Silicon Graphics, Inc.**, Mountain View, CA (US)

(57) **CLAIM**

(\*\*) Term: **14 Years**

The ornamental design for a server cover, as shown and described.

(21) Appl. No.: **29/127,590**

**DESCRIPTION**

(22) Filed: **Aug. 8, 2000**

FIG. 1 is a perspective view taken from the top and right side of a server cover showing our new design;

(51) **LOC (7) Cl.** ..... **14-02**

FIG. 2 is a front elevational view thereof;

(52) **U.S. Cl.** ..... **D14/301; D14/349; D14/356**

FIG. 3 is a right side elevational view thereof;

(58) **Field of Search** ..... D14/349, 351,  
D14/356, 301, 440; D13/162, 184, 199;  
360/99.12; 361/694-696, 683, 686; 369/34,  
36

FIG. 4 is a left side elevational view thereof; and,

FIG. 5 is a top plan view thereof.

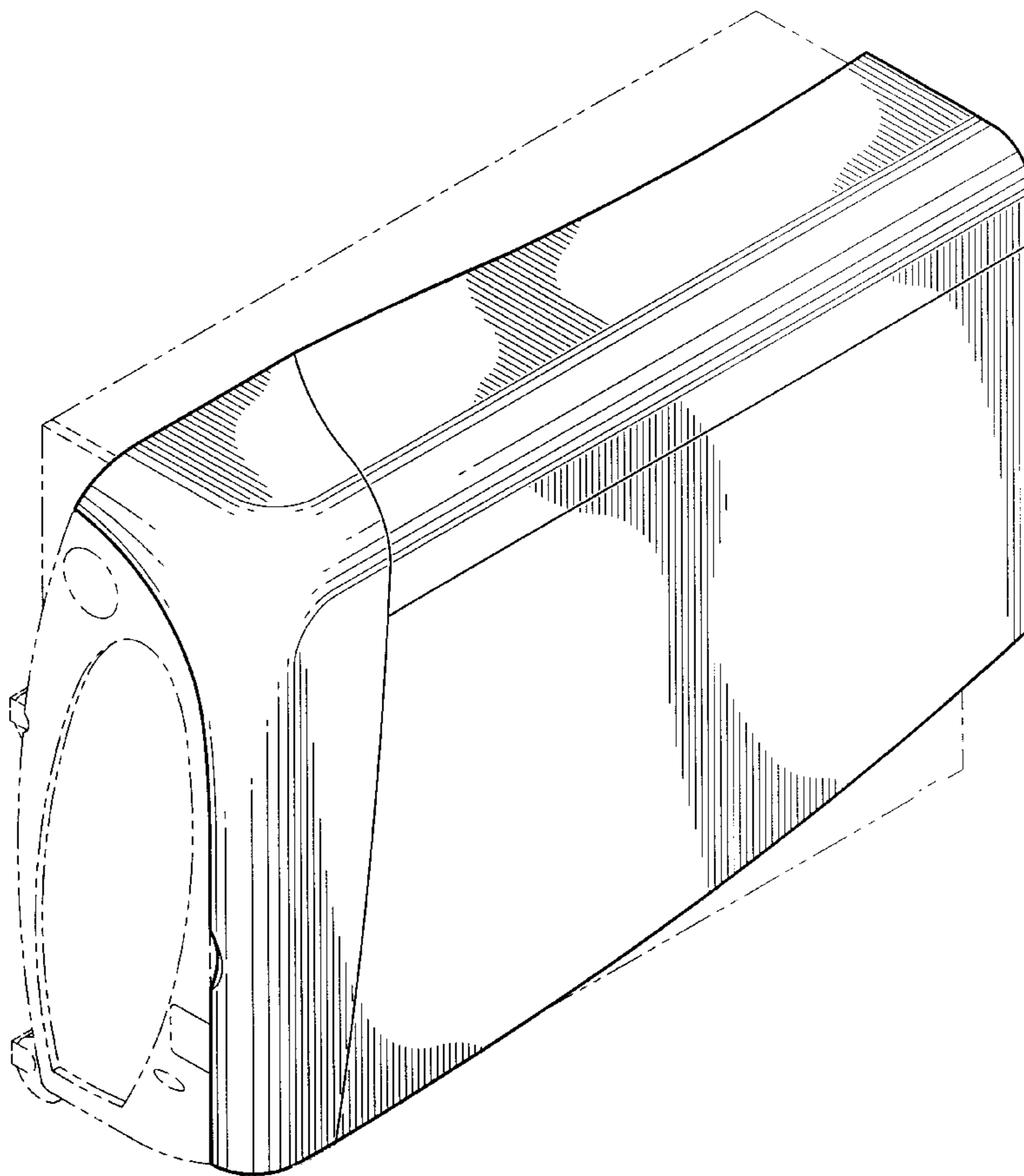
The broken lines are shown in the views for illustrative purposes only and form no part of the claimed design.

(56) **References Cited**

**U.S. PATENT DOCUMENTS**

D. 396,699 \* 8/1998 Vackar ..... D14/349

**1 Claim, 3 Drawing Sheets**



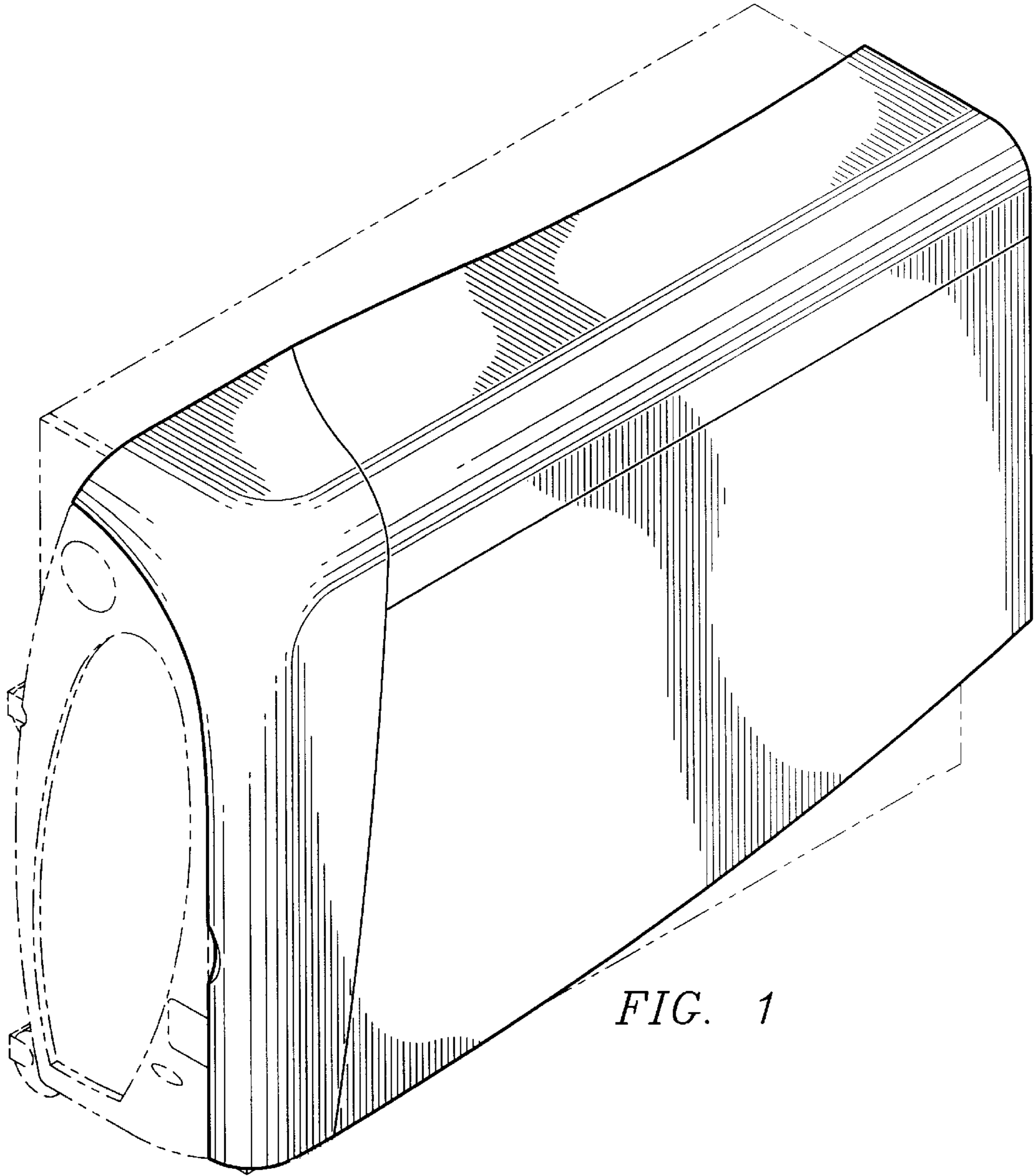


FIG. 1

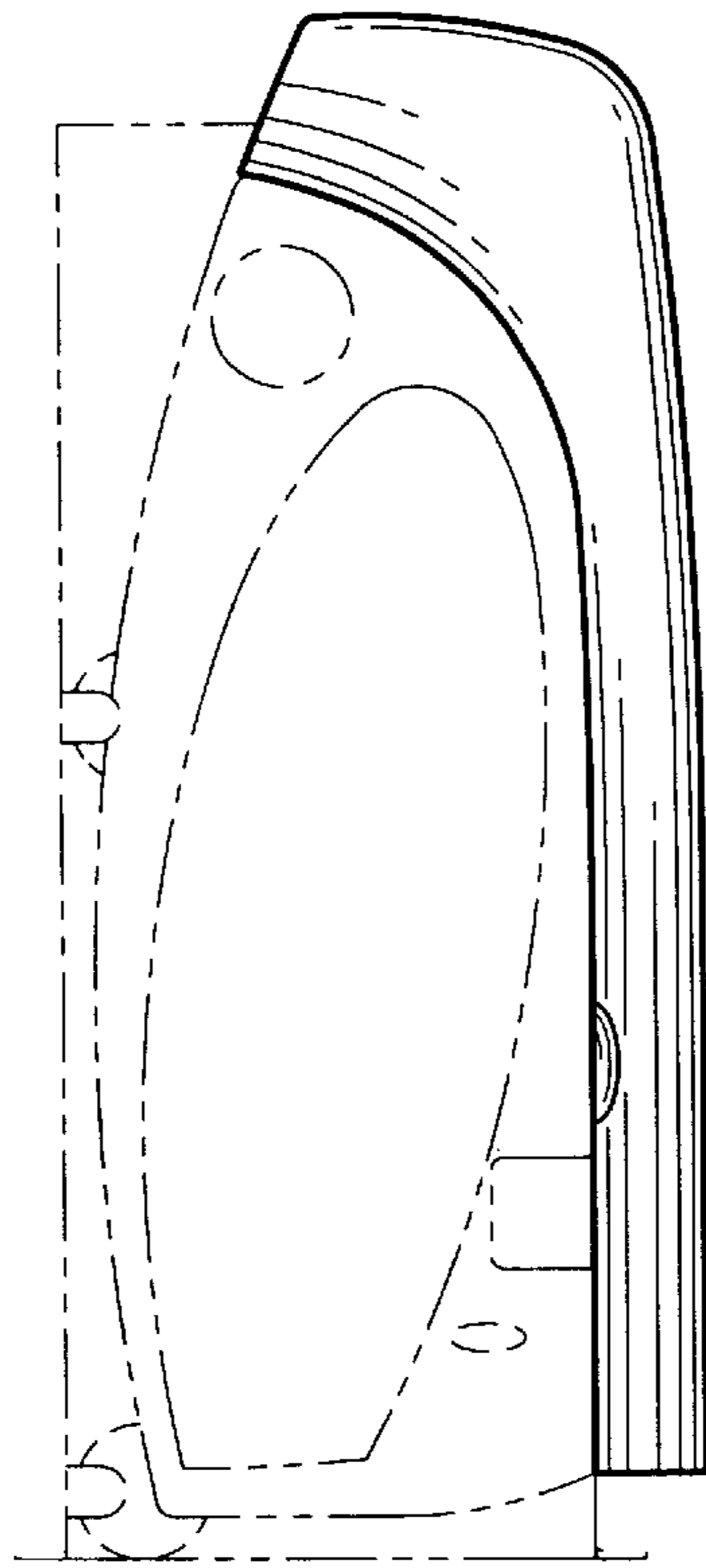


FIG. 2

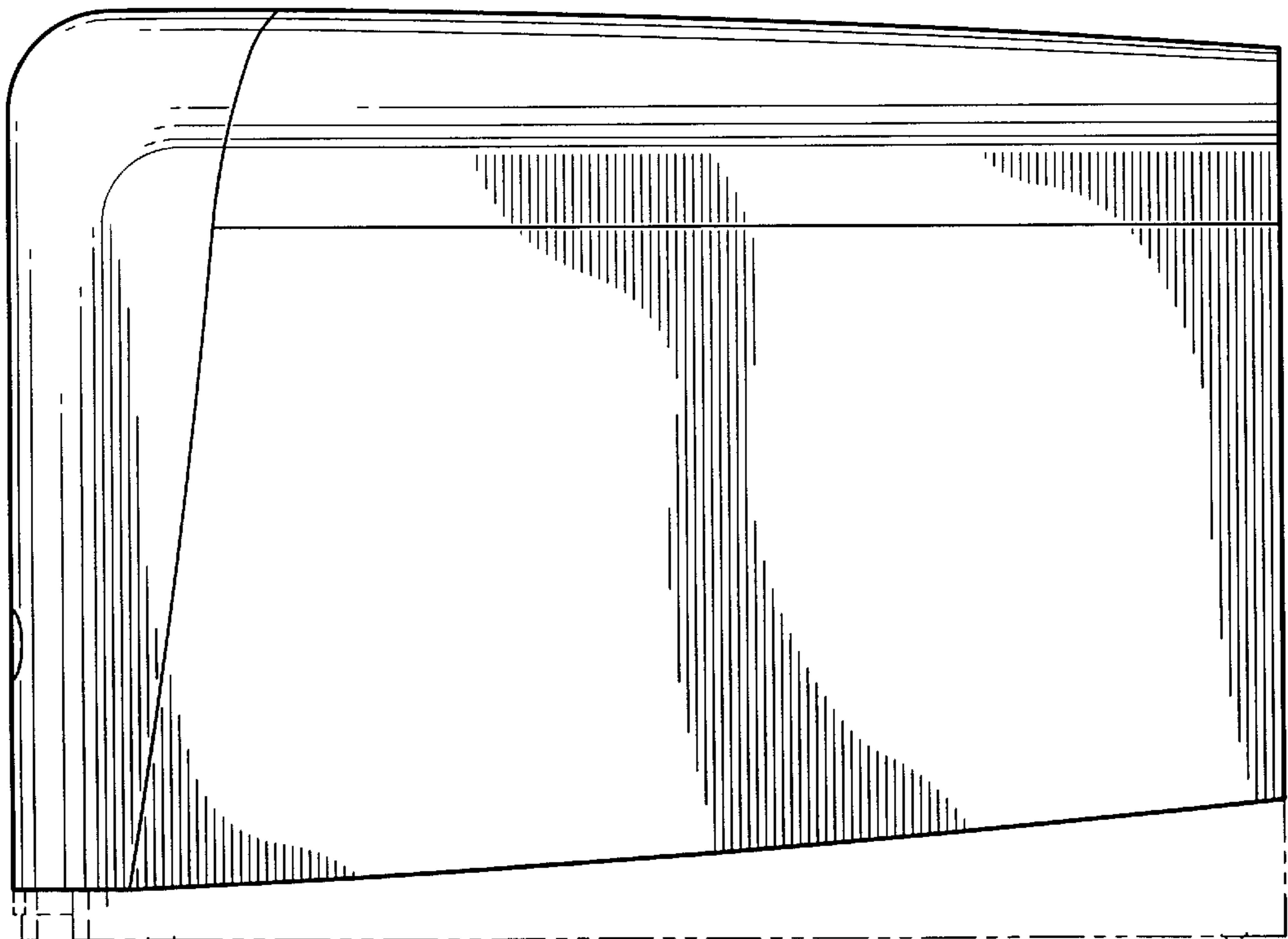


FIG. 3

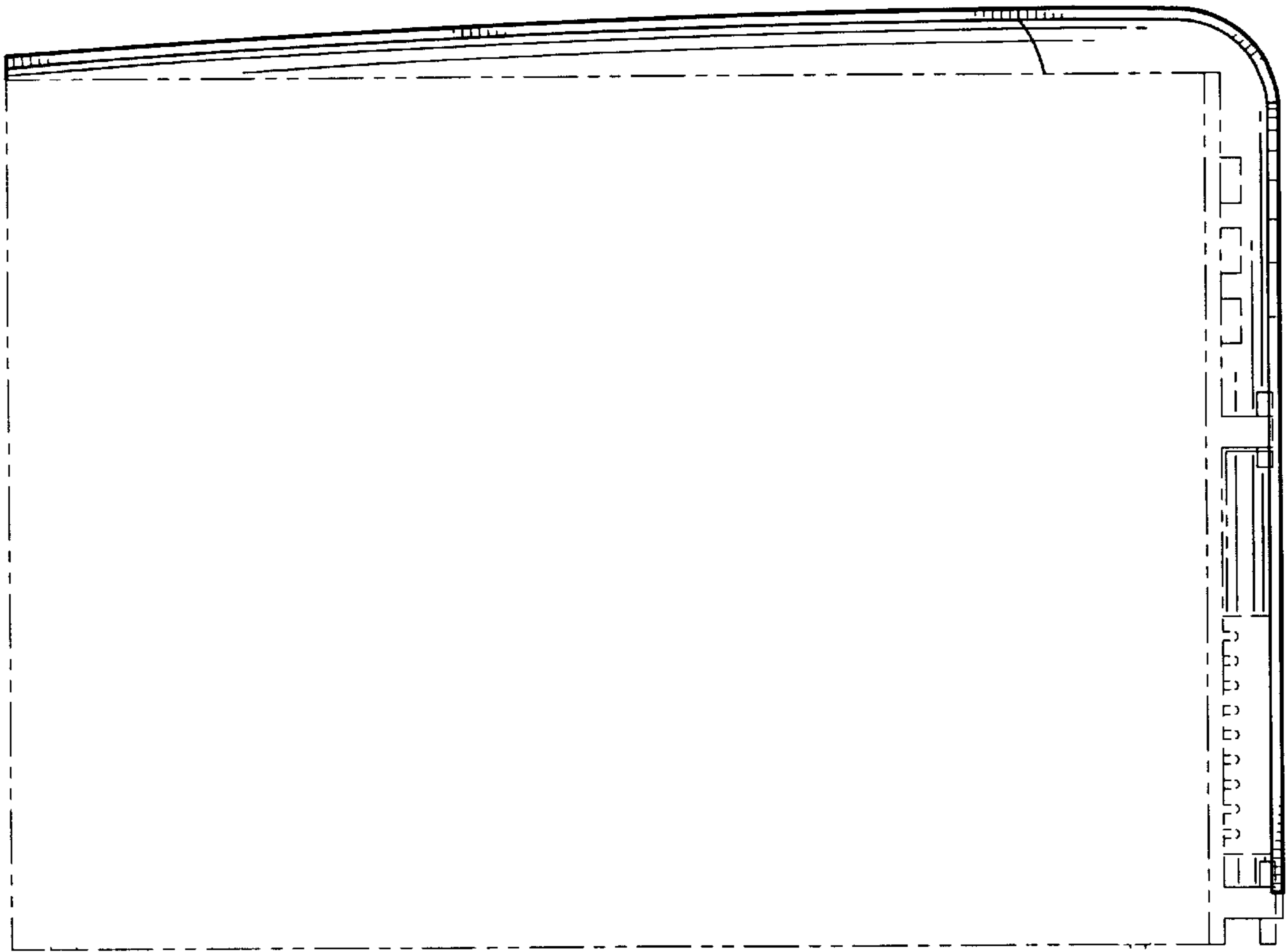


FIG. 4

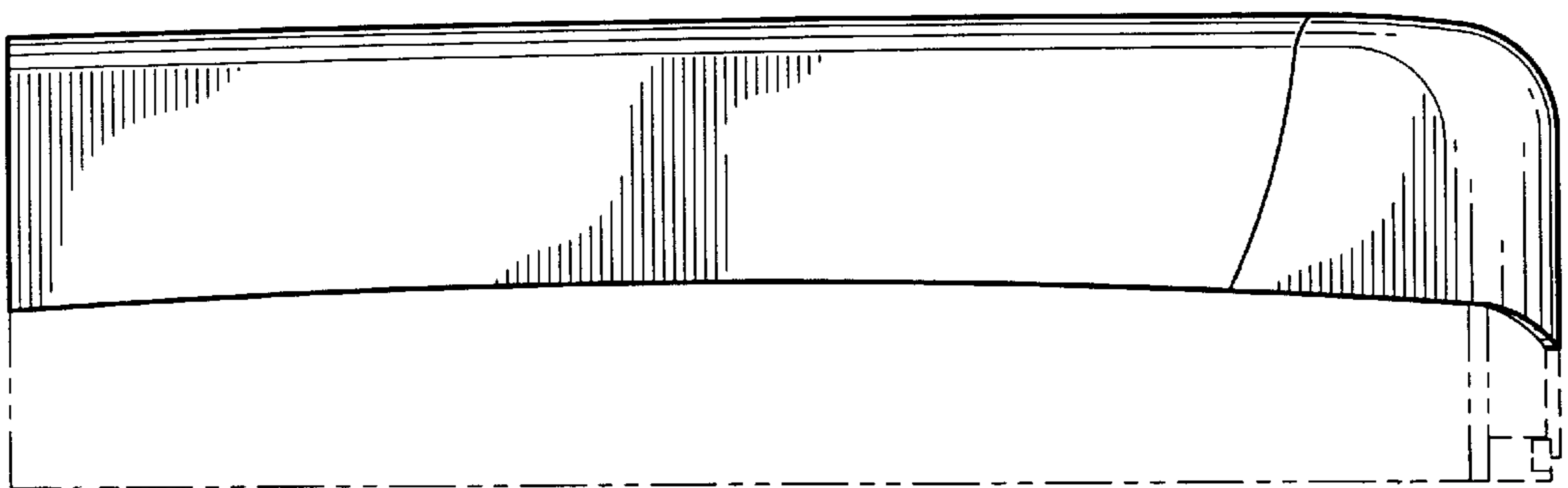


FIG. 5