



US00D444459S

(12) **United States Design Patent**
Matt et al.

(10) **Patent No.: US D444,459 S**

(45) **Date of Patent: ** Jul. 3, 2001**

(54) **PROTECTIVE ASSEMBLY**

(75) Inventors: **Brian J. Matt**, Wellesley; **Daniel F. Cuffaro**, Melrose; **Charles W. Sears**, Boxford; **Jonathan A. Marks**, Cambridge, all of MA (US); **Donald W. Zurwelle**, Lutherville, MD (US); **Martin P. Gierke**, Towson, MD (US); **Roger Q. Smith**, Reisterstown, MD (US); **Lowell D. Lueking**, Westminster, MD (US)

(73) Assignee: **Black & Decker Inc.**, Newark, DE (US)

(**) Term: **14 Years**

(21) Appl. No.: **29/109,177**

(22) Filed: **Aug. 11, 1999**

Related U.S. Application Data

(62) Division of application No. 29/094,523, filed on Oct. 5, 1998, now Pat. No. Des. 418,836.

(51) **LOC (7) Cl.** **14-99**

(52) **U.S. Cl.** **D14/217; D14/196**

(58) **Field of Search** D14/160-165, D14/167-168, 170-171, 188, 193-198, 299, 217; 455/344, 347, 350, 351; D21/686, 691, 694, 697

(56) **References Cited**

U.S. PATENT DOCUMENTS

D. 262,537	*	1/1982	Kikuhara	D14/188
D. 284,081	*	6/1986	Taylor	D14/257
D. 379,836	*	6/1997	Chen	D21/691
D. 394,262	*	5/1998	Cross et al.	D14/188
2,817,347	*	12/1957	Hilt, Sr.	D21/691 X

* cited by examiner

Primary Examiner—Nanda Bondade

(74) *Attorney, Agent, or Firm*—Adan Ayala

(57) **CLAIM**

The ornamental design for a protective assembly, as shown and described.

DESCRIPTION

FIG. 1 is a front perspective view from the right side of an embodiment of a protective assembly showing our new design;

FIG. 2 is a top plan view of the embodiment;

FIG. 3 is a bottom plan view of the embodiment;

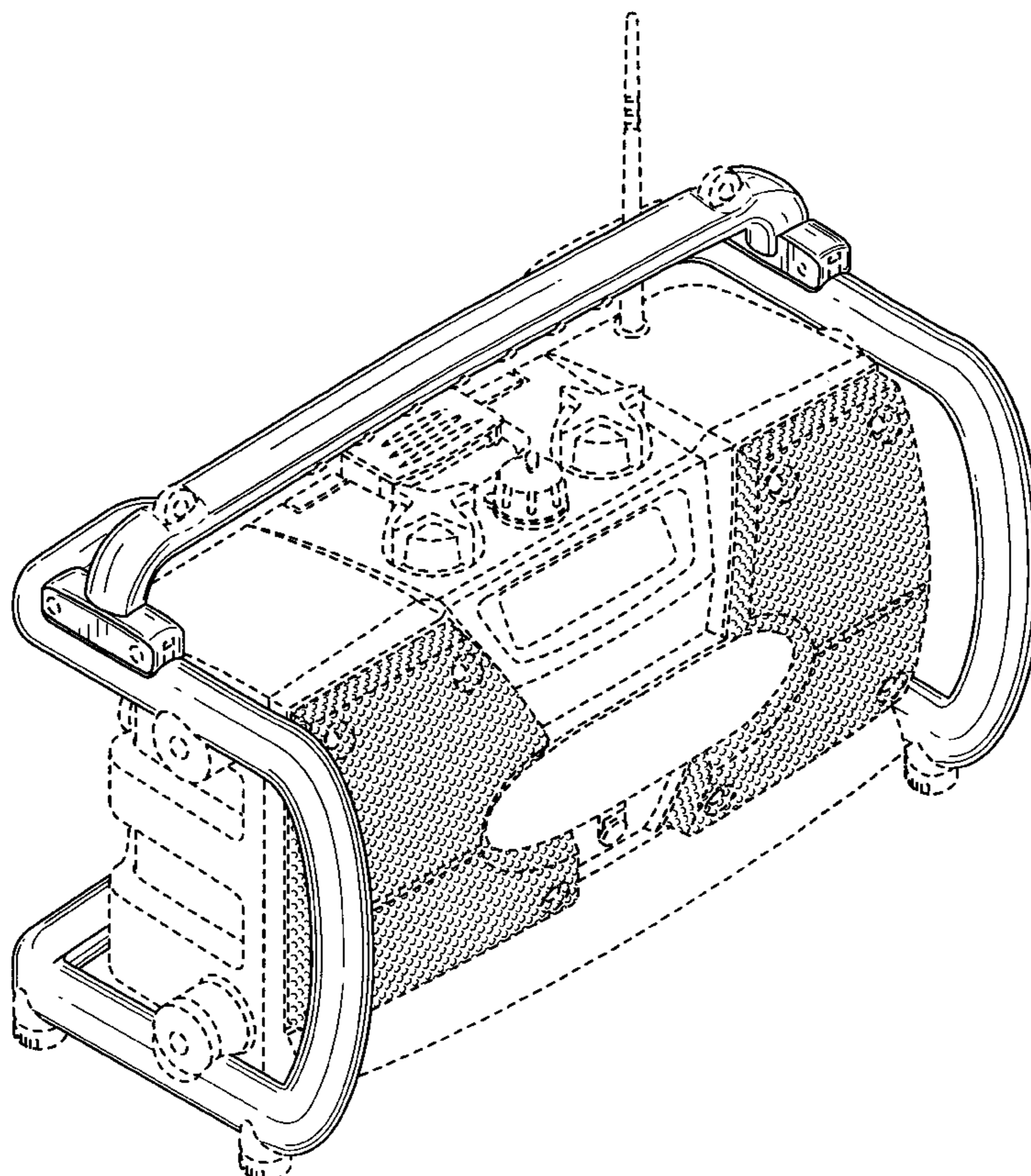
FIG. 4 is a right side elevational view of the embodiment;

FIG. 5 is a left side elevational view of the embodiment;

FIG. 6 is a front elevational view of the embodiment; and,

FIG. 7 is a rear elevational view of the embodiment.

1 Claim, 7 Drawing Sheets



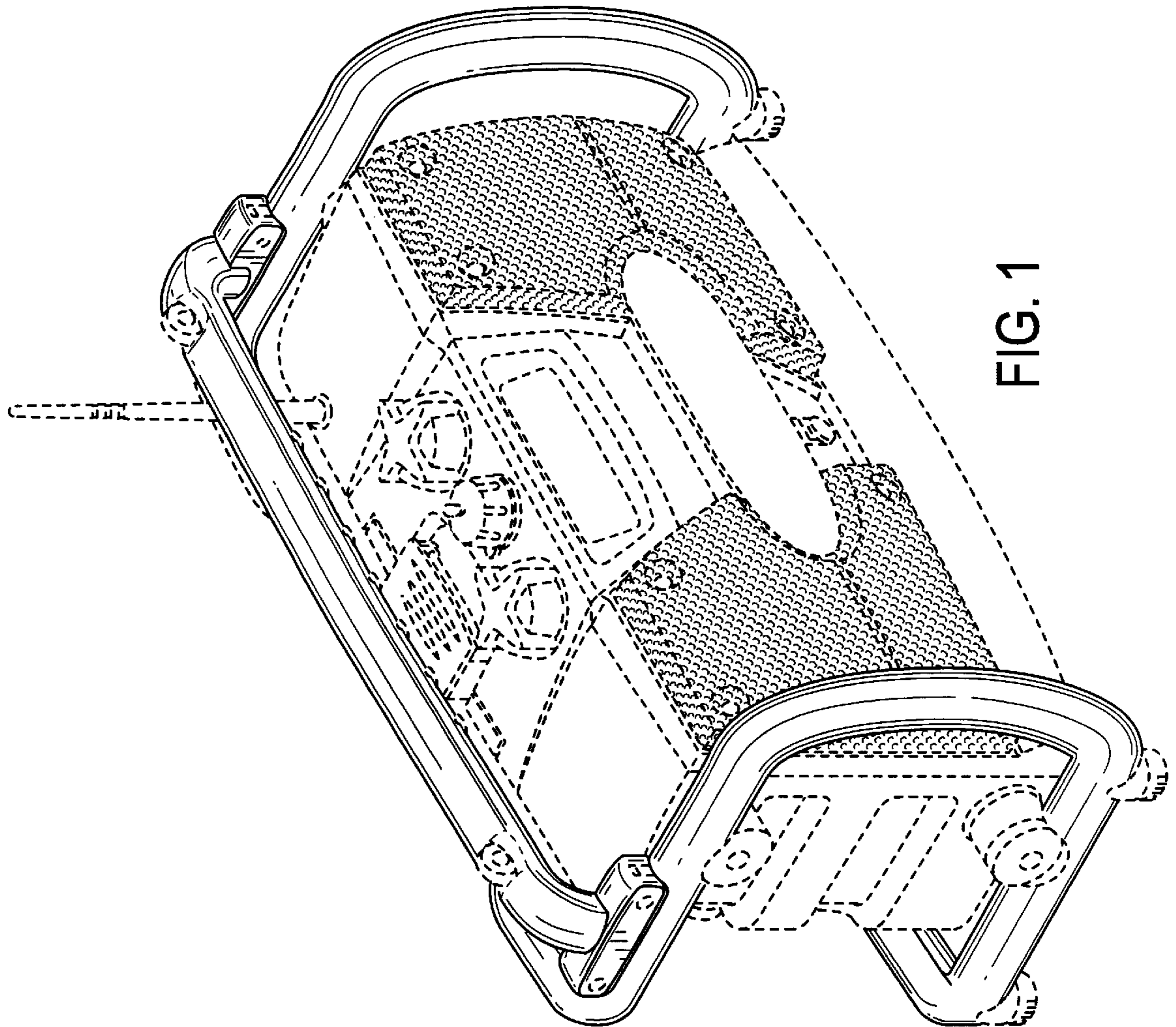


FIG. 1

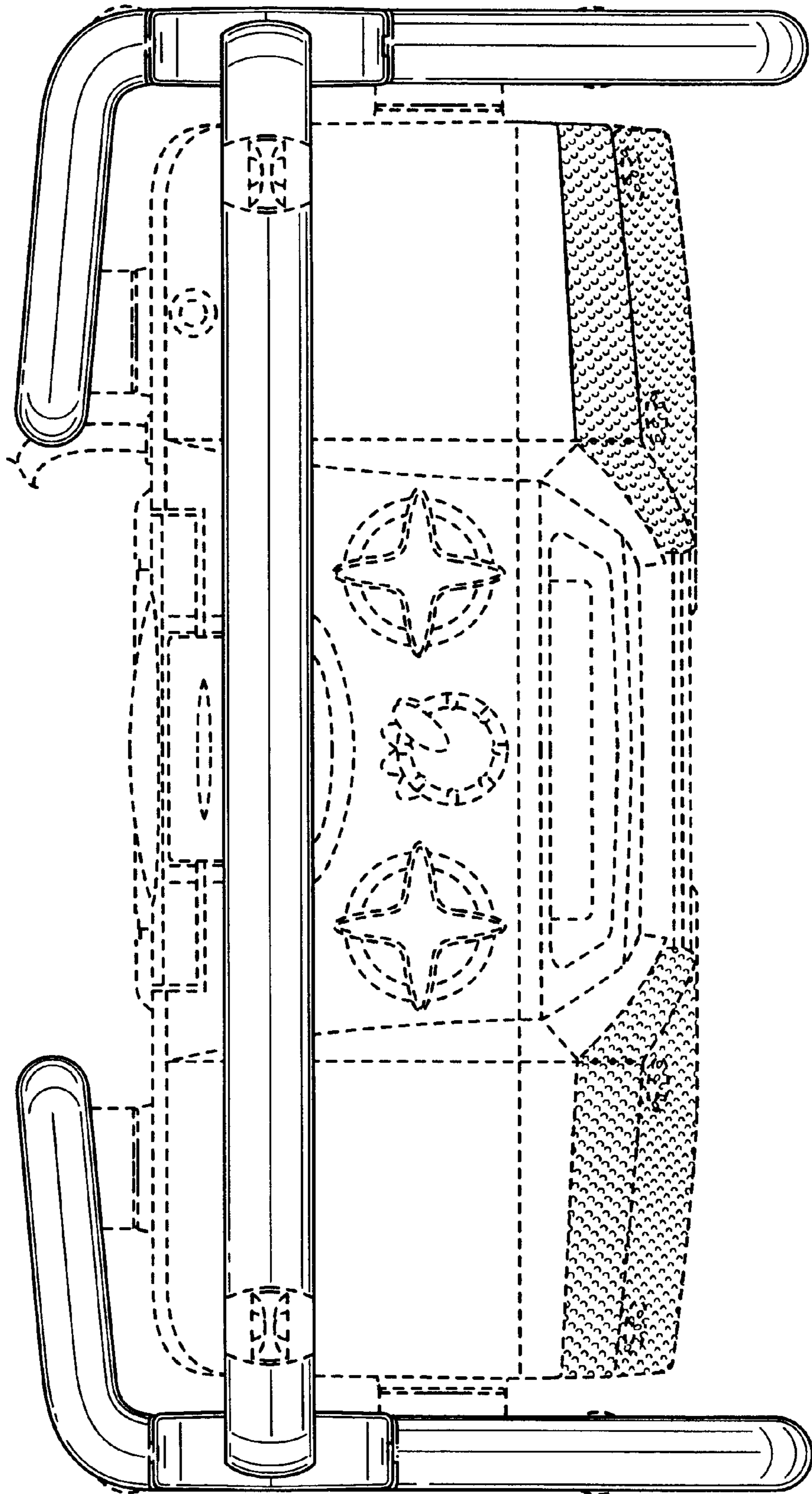


FIG. 2

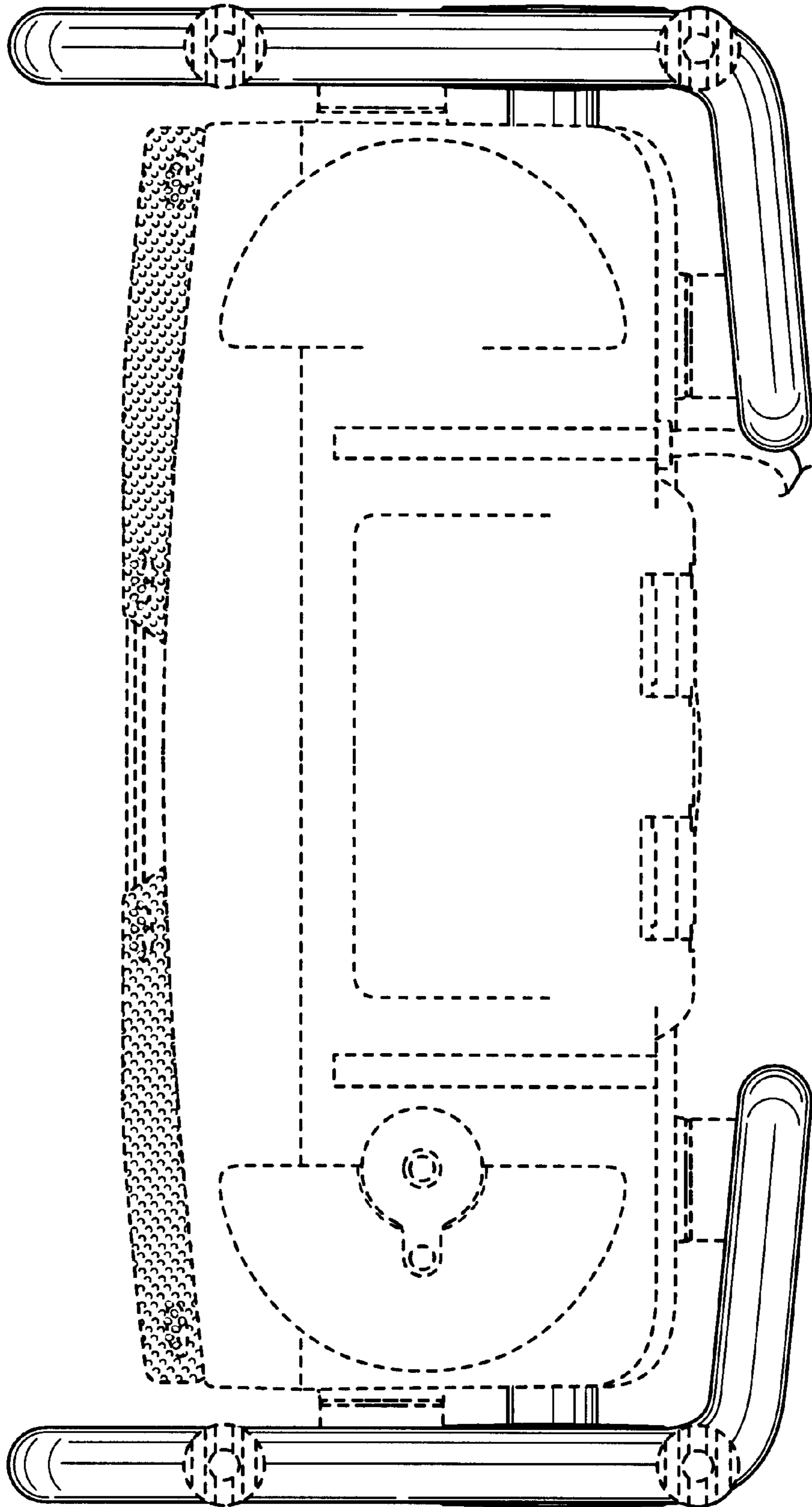


FIG. 3

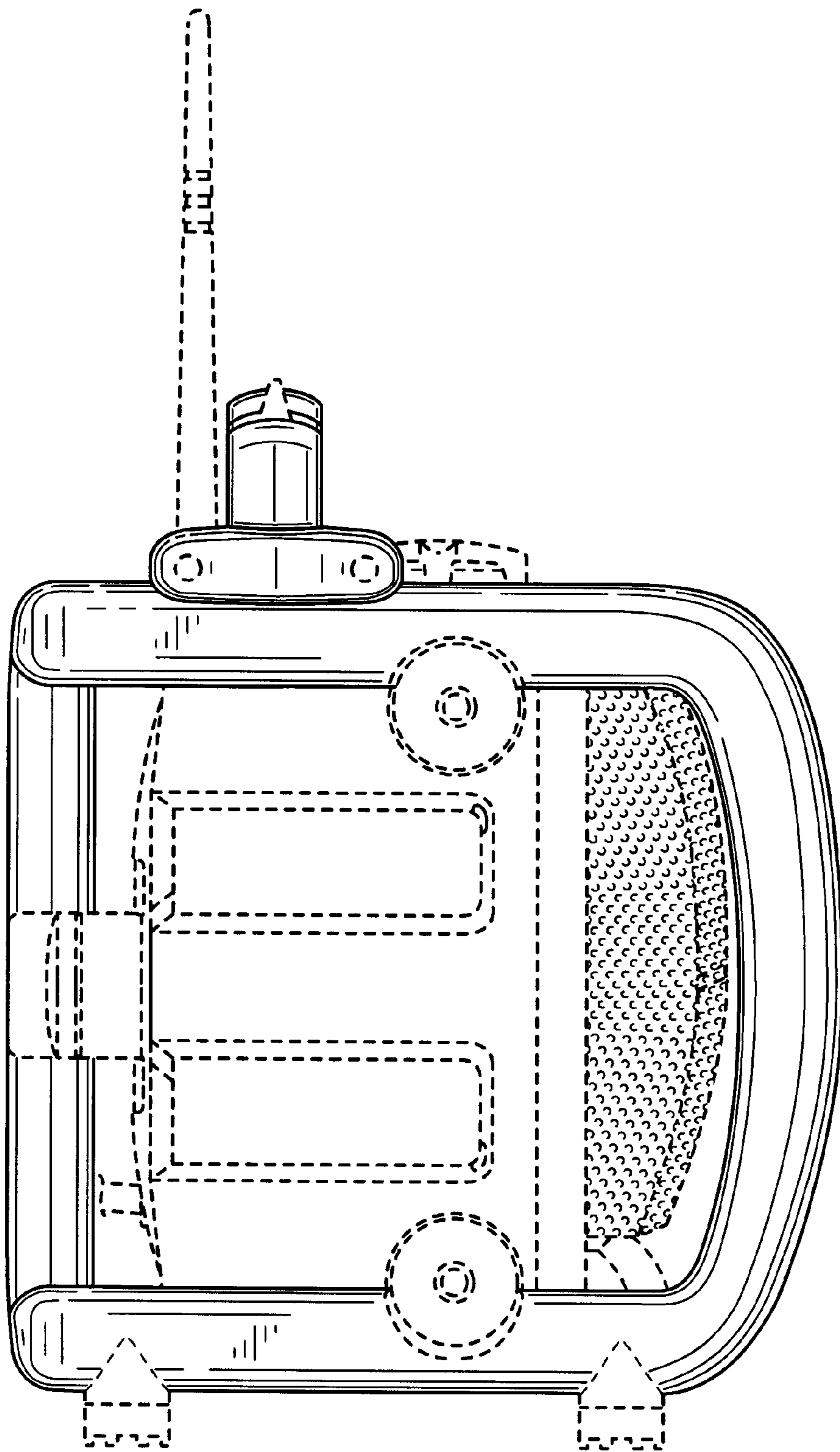


FIG. 4

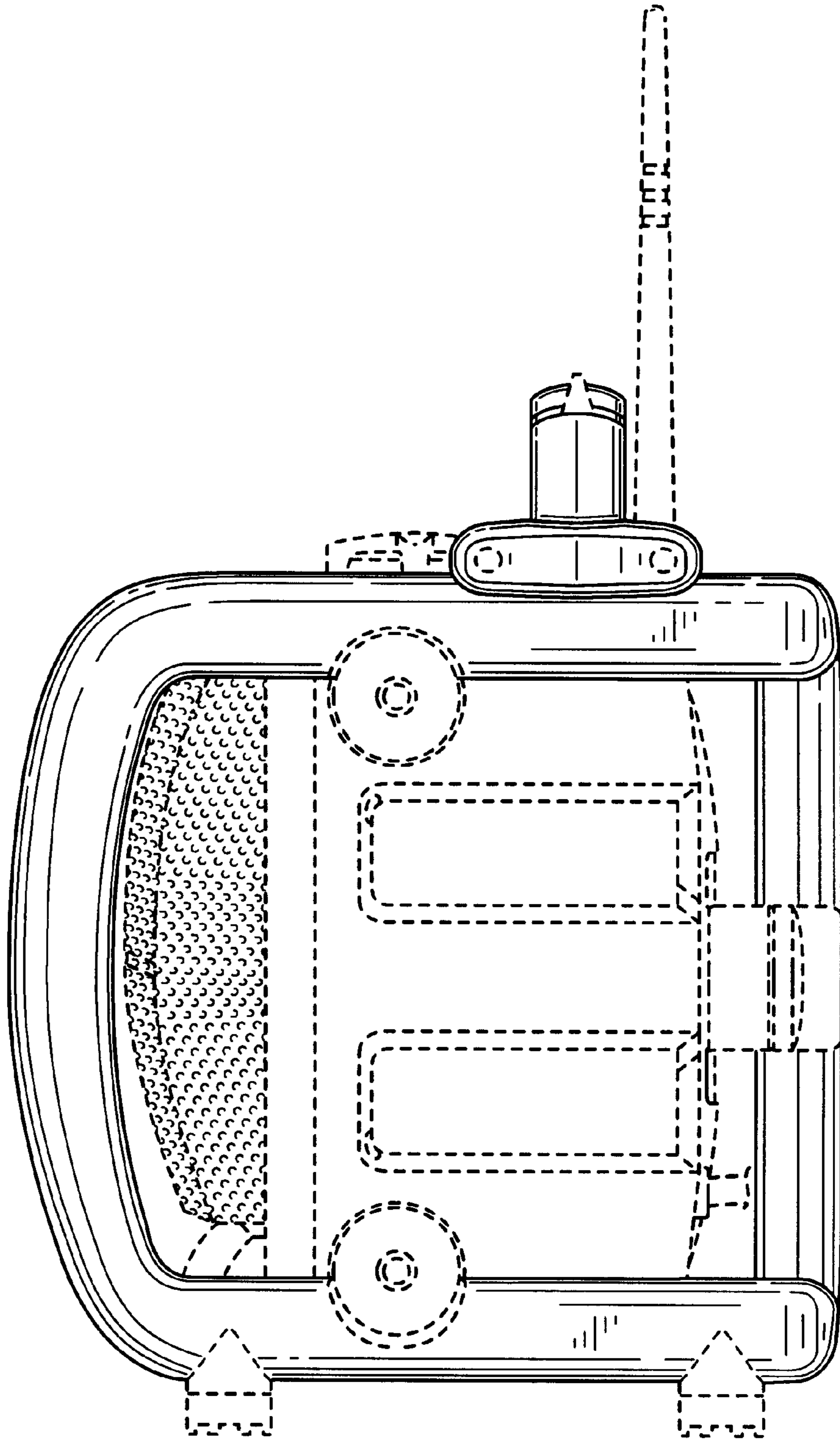


FIG. 5

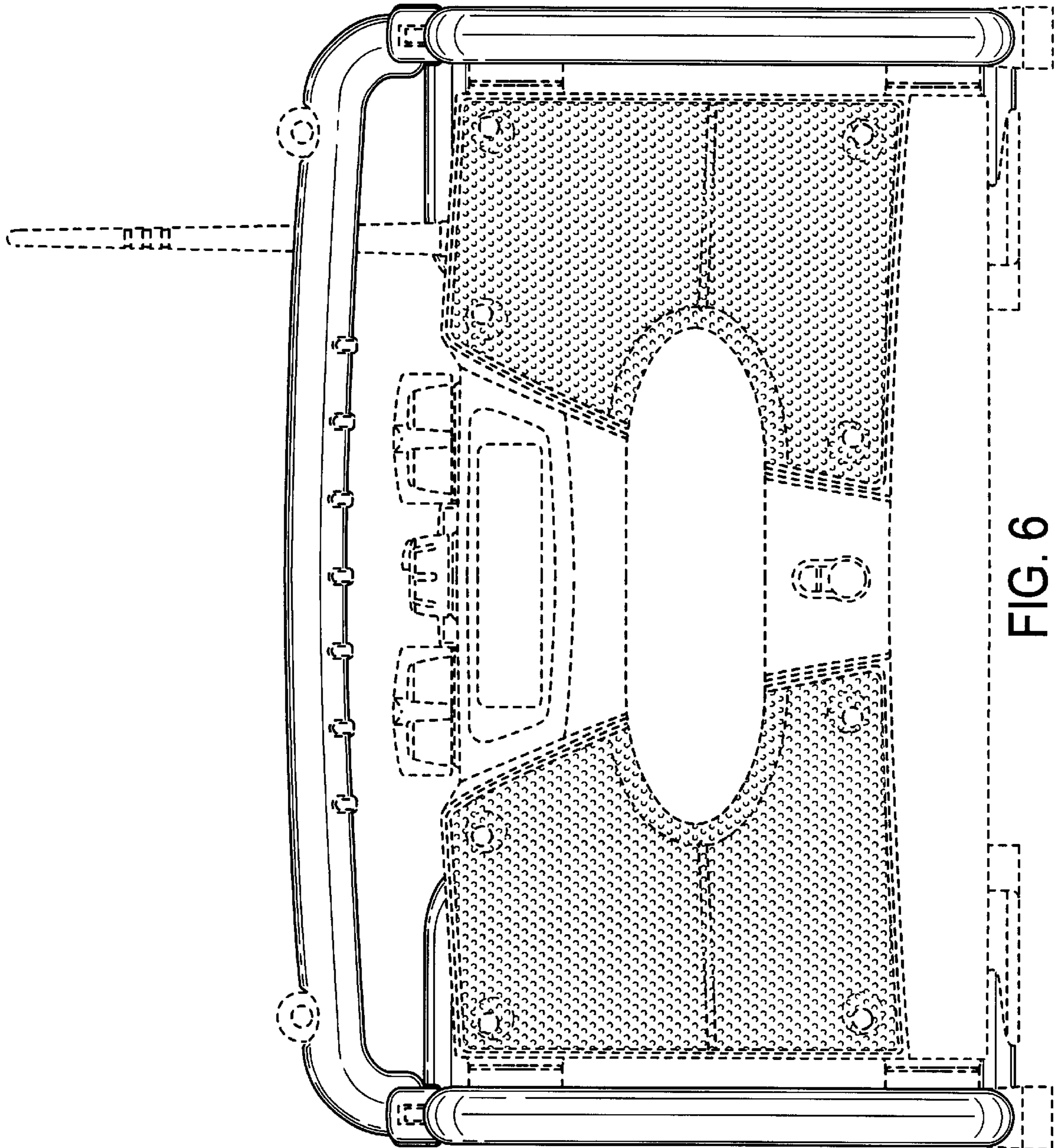


FIG. 6

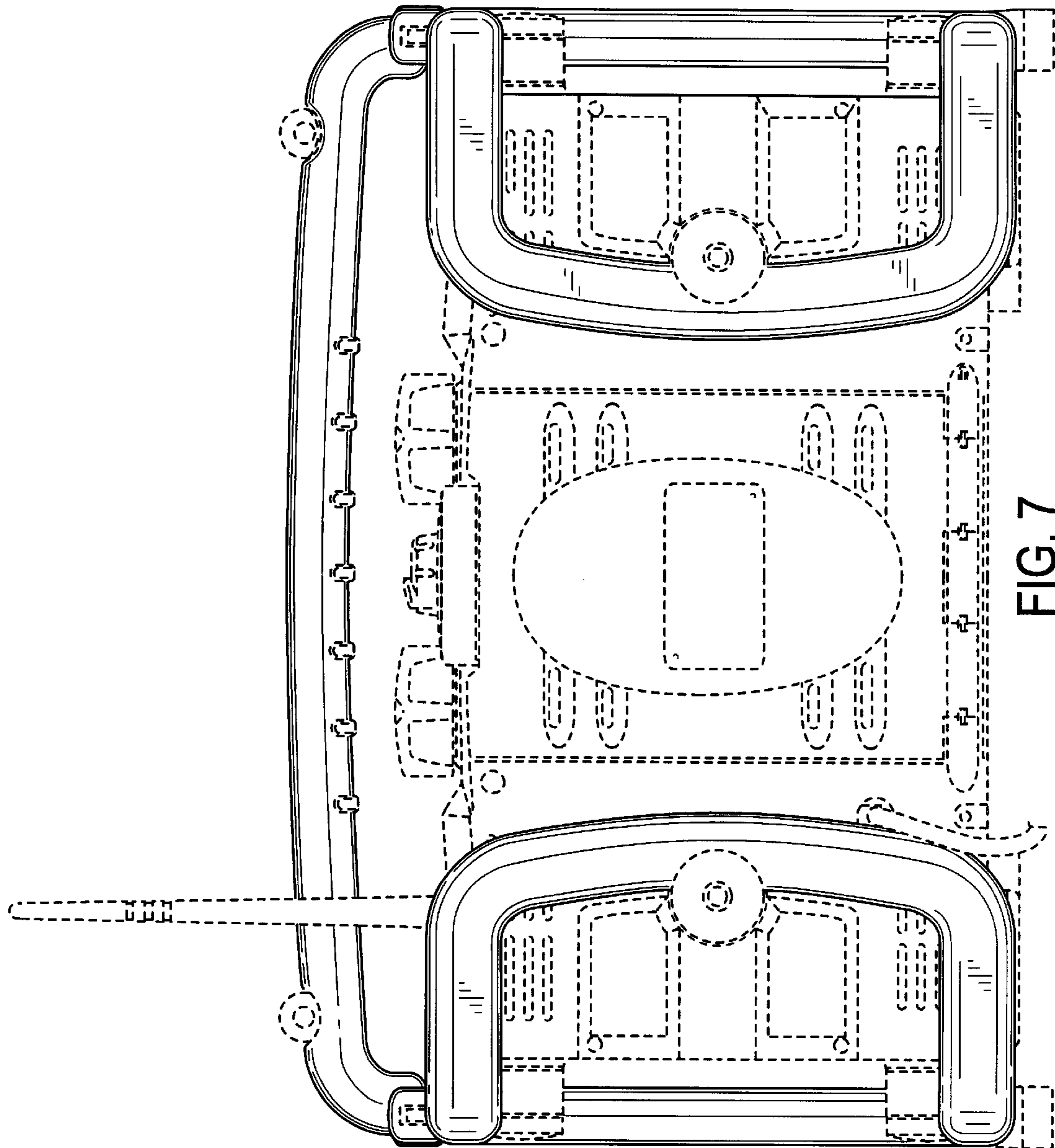


FIG. 7