



US00D444458S

(12) **United States Design Patent**
Yamamoto

(10) **Patent No.:** **US D444,458 S**

(45) **Date of Patent:** **** Jul. 3, 2001**

(54) **PICKUP FOR OPTICAL DISC PLAYER**

D. 288,558 * 3/1987 Takemura et al. D14/239
5,742,996 * 4/1998 Frater et al. 360/104 X

(75) Inventor: **Hiroshi Yamamoto**, Tokyo (JP)

OTHER PUBLICATIONS

(73) Assignee: **Sony Corporation**, Tokyo (JP)

“Sony Optical Device”, pp. 12, 16 & 23, Sony, (Sep. 1992).
“’95-’96 Sanyo Products”, p. 54, Sanyo, (Oct. 1, 1995).

(**) Term: **14 Years**

* cited by examiner

(21) Appl. No.: **29/107,818**

Primary Examiner—Nanda Bondade

(22) Filed: **Jul. 12, 1999**

(74) *Attorney, Agent, or Firm*—Rader, Fishman & Grauer, PLLC

(30) **Foreign Application Priority Data**

Feb. 24, 1999 (JP) 11-4201

(57) **CLAIM**

(51) **LOC (7) Cl.** **14-99**

The ornamental design for a pickup for optical disc player, as shown and described.

(52) **U.S. Cl.** **D14/217; D14/262; D14/156**

DESCRIPTION

(58) **Field of Search** D14/156, 217,
D14/239, 260, 262, 299; 360/104, 105,
114; 369/13, 105

FIG. 1 is a perspective view of a pickup for an optical disc player showing my new design;
FIG. 2 is a front elevational view thereof;
FIG. 3 is a bottom plan view thereof; and,
FIG. 4 is a right side elevational view thereof.

(56) **References Cited**

U.S. PATENT DOCUMENTS

D. 228,238 * 8/1973 Fujii et al. D14/260
D. 278,428 * 4/1985 Tsuchihashi et al. D14/217

1 Claim, 4 Drawing Sheets

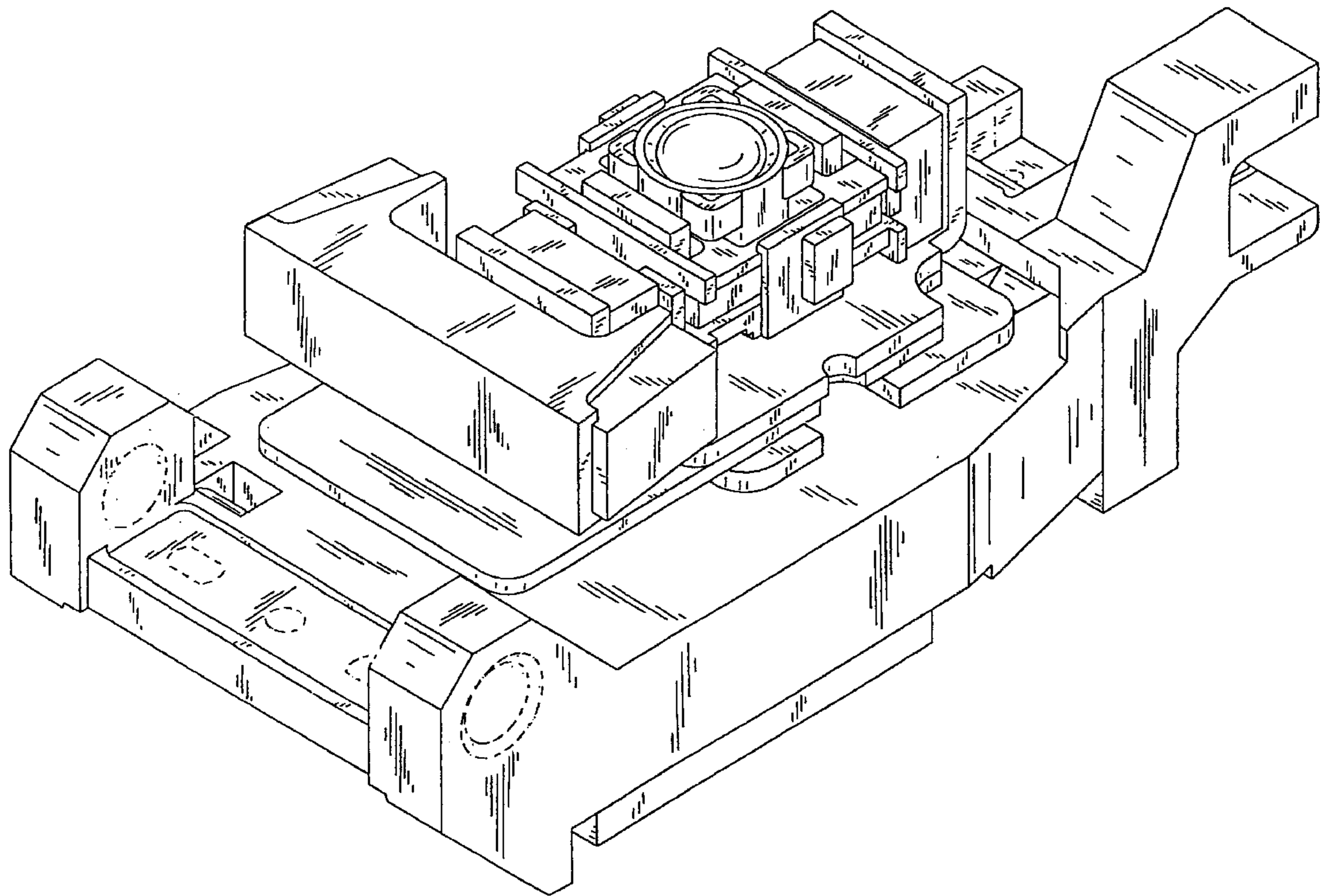
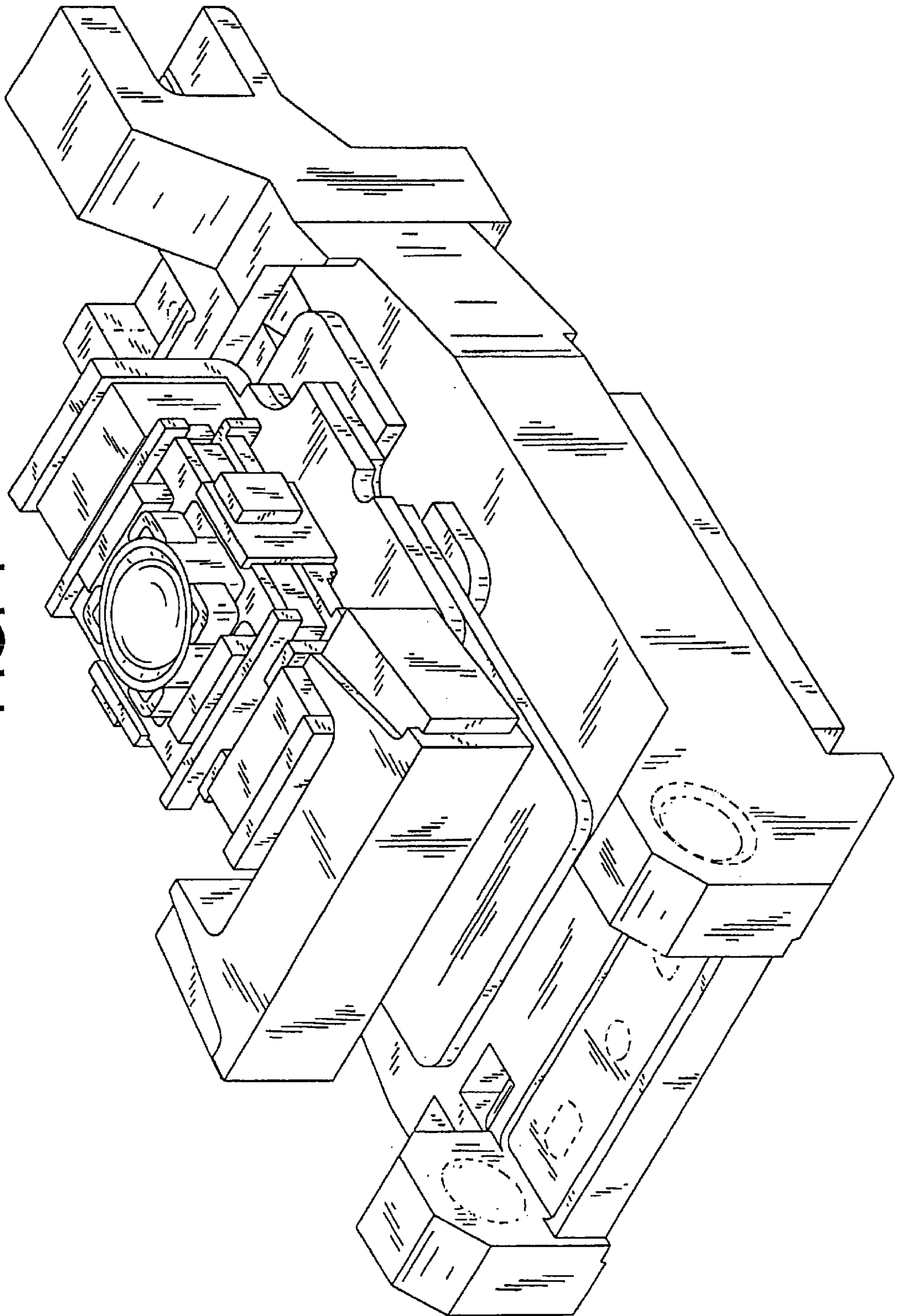


FIG. 1



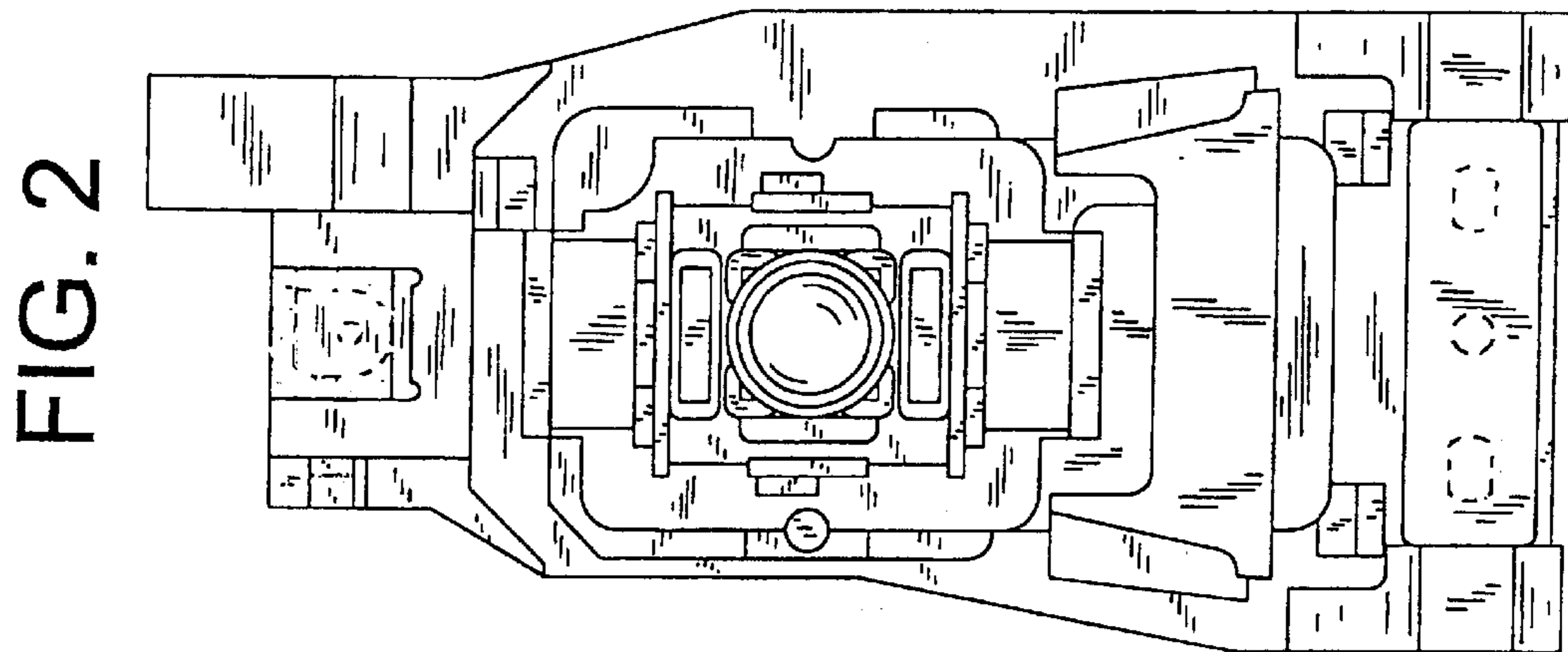


FIG. 3

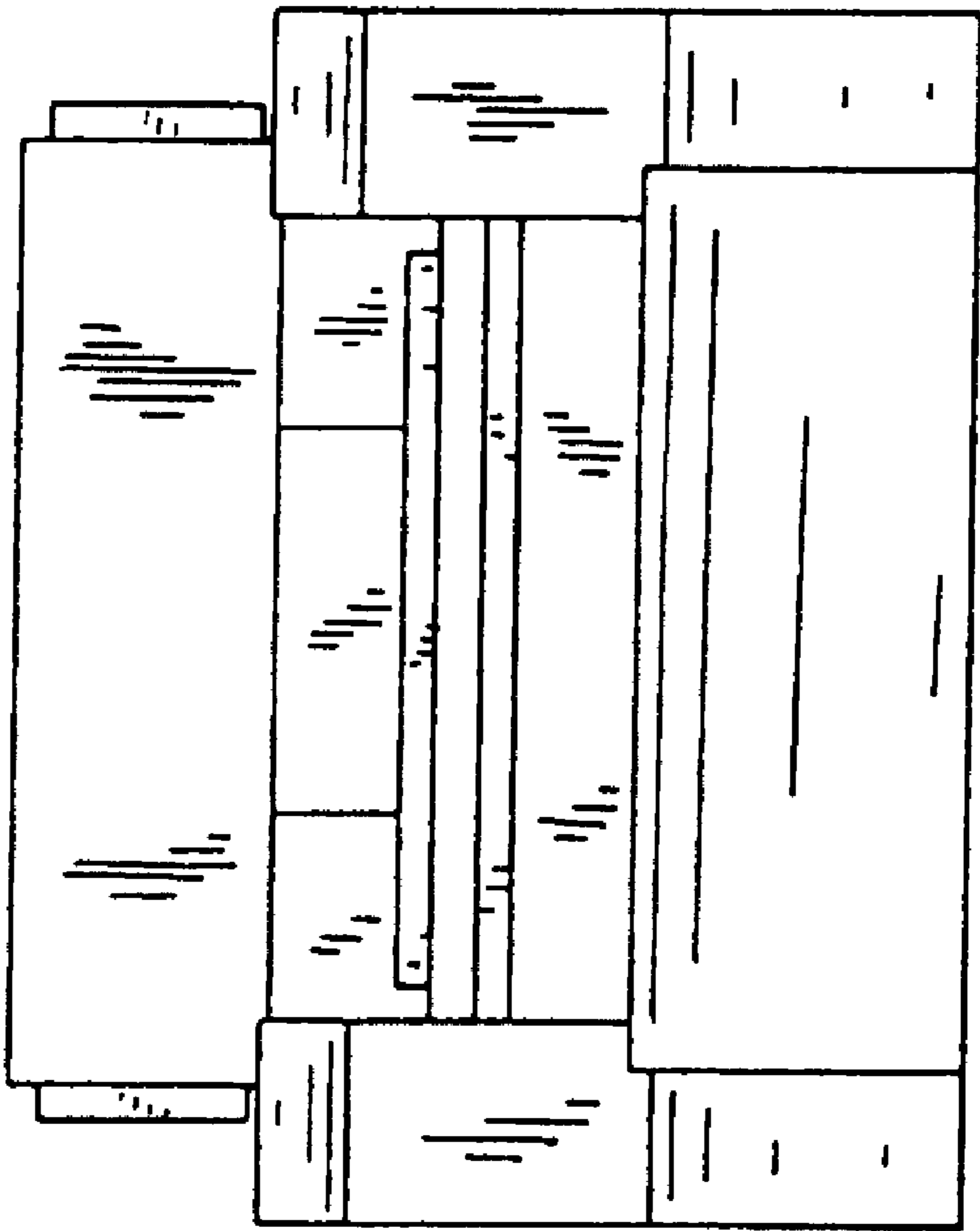


FIG. 4

