



US00D444457S

(12) **United States Design Patent**  
**Kuo**

(10) **Patent No.:** **US D444,457 S**

(45) **Date of Patent:** **\*\* Jul. 3, 2001**

(54) **SPEAKER CABINET**

(75) **Inventor:** **Ing Der Kuo**, Fremont, CA (US)

(73) **Assignee:** **Gallant Computers, Inc.**, Fremont, CA (US)

(\*\*) **Term:** **14 Years**

(21) **Appl. No.:** **29/128,266**

(22) **Filed:** **Aug. 21, 2000**

(51) **LOC (7) Cl.** ..... **14-01**

(52) **U.S. Cl.** ..... **D14/214**

(58) **Field of Search** ..... D14/204, 207,  
D14/210-216; 181/144-145, 148, 150,  
198-199; 381/300-302, 307, 332-336,  
386

(56) **References Cited**

**U.S. PATENT DOCUMENTS**

- D. 219,105 \* 11/1970 Tominaga ..... D14/214
- D. 278,811 \* 5/1985 White et al. .... D14/214
- D. 340,056 \* 10/1993 Caron et al. .... D14/204

- D. 361,071 \* 8/1995 Mark ..... D14/211
- D. 401,939 \* 12/1998 Chen ..... D14/215
- 4,167,985 \* 9/1979 Dunlavy ..... 181/148
- 4,281,738 \* 8/1981 Jackson ..... 181/153
- 4,872,527 \* 10/1989 Han ..... 181/148
- 5,067,159 \* 11/1991 Kasai ..... 181/144

\* cited by examiner

*Primary Examiner*—N. Bondade

(74) *Attorney, Agent, or Firm*—Michael A. Glenn

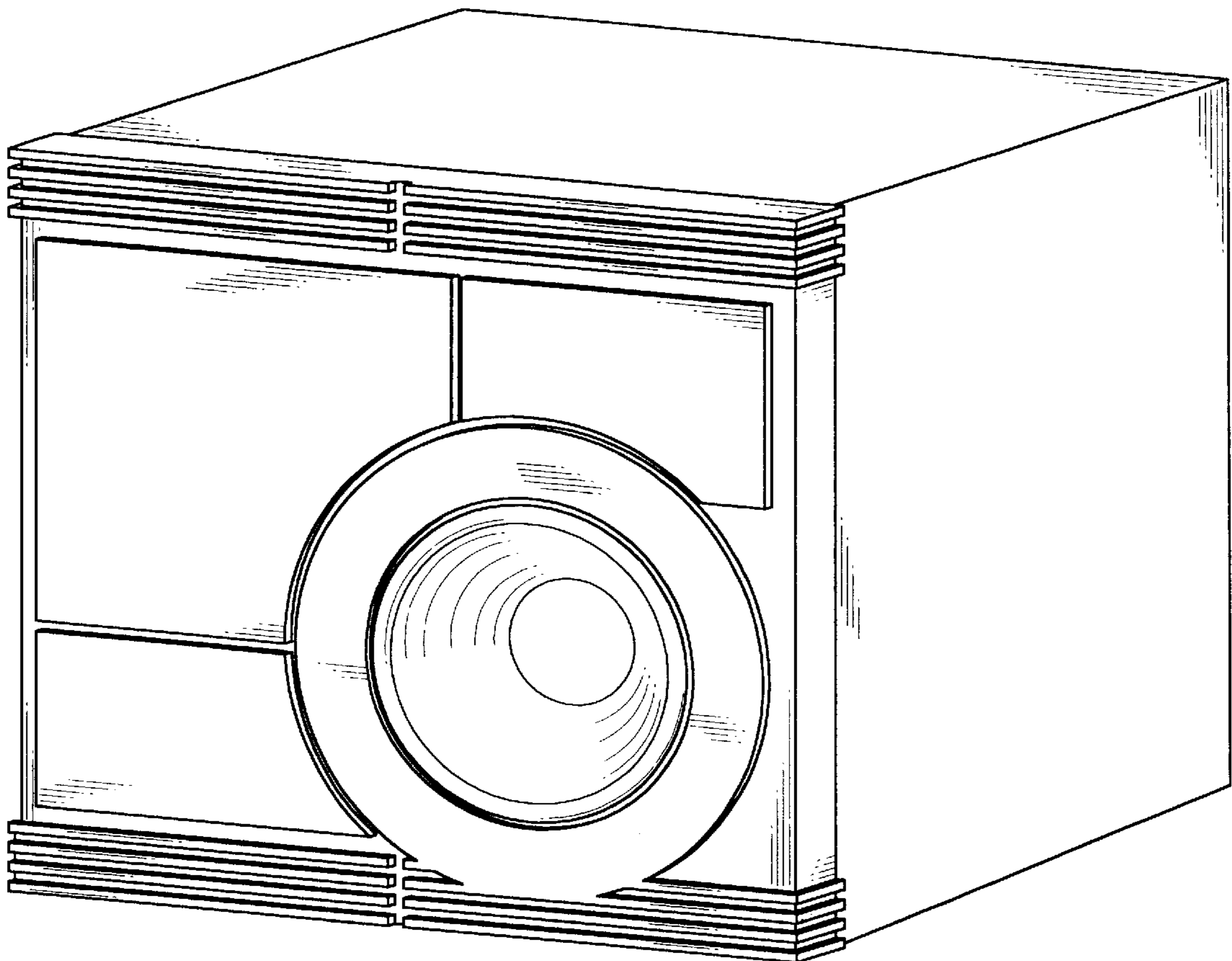
(57) **CLAIM**

The ornamental design for a speaker cabinet, as shown and described.

**DESCRIPTION**

FIG. 1 shows a perspective view of an ornamental design for a speaker cabinet according to the invention; FIG. 2 shows a front view of an ornamental design for a speaker cabinet according to the invention; and, FIG. 3 shows a right side view of an ornamental design for a speaker cabinet according to the invention.

**1 Claim, 2 Drawing Sheets**



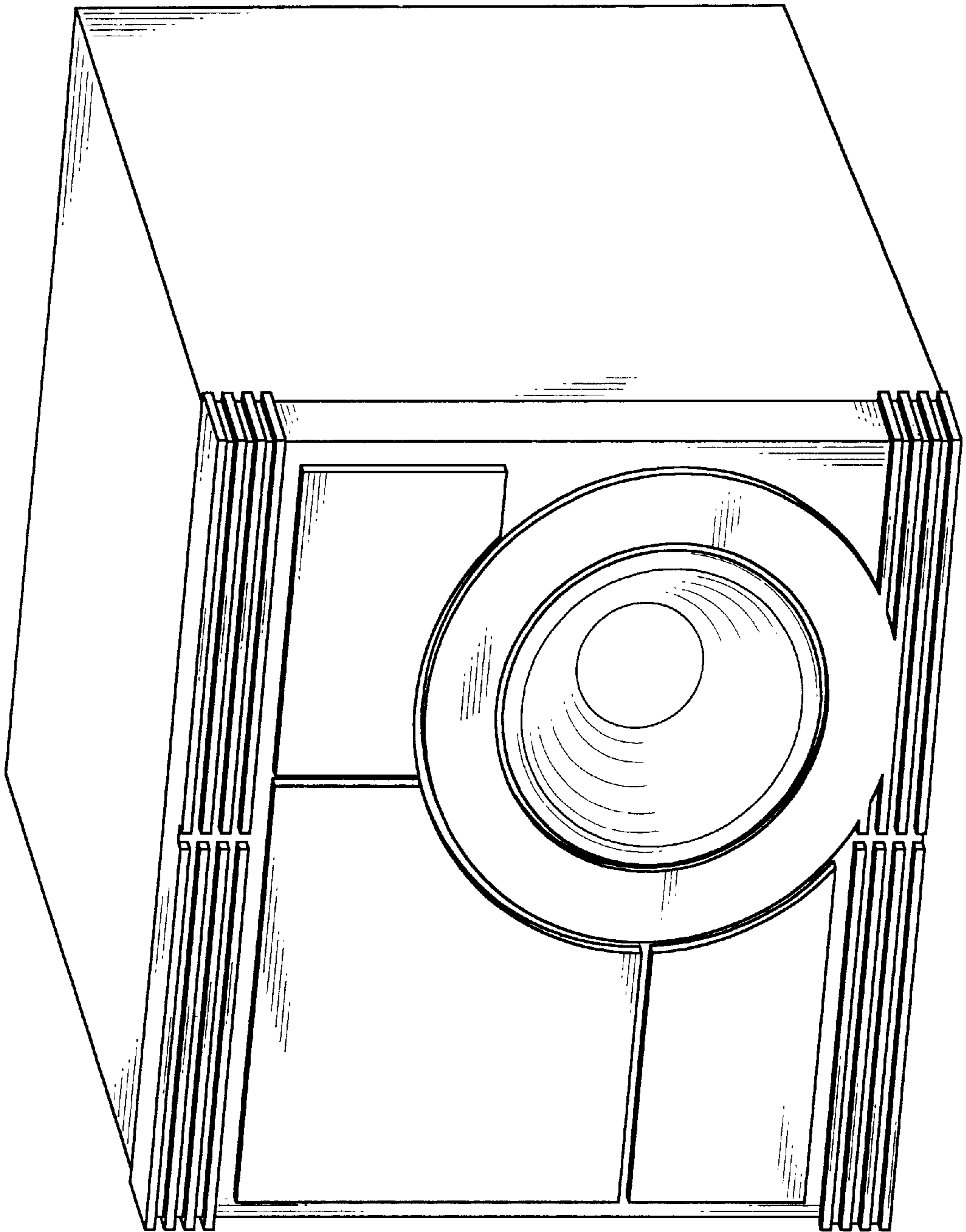


FIG. 1

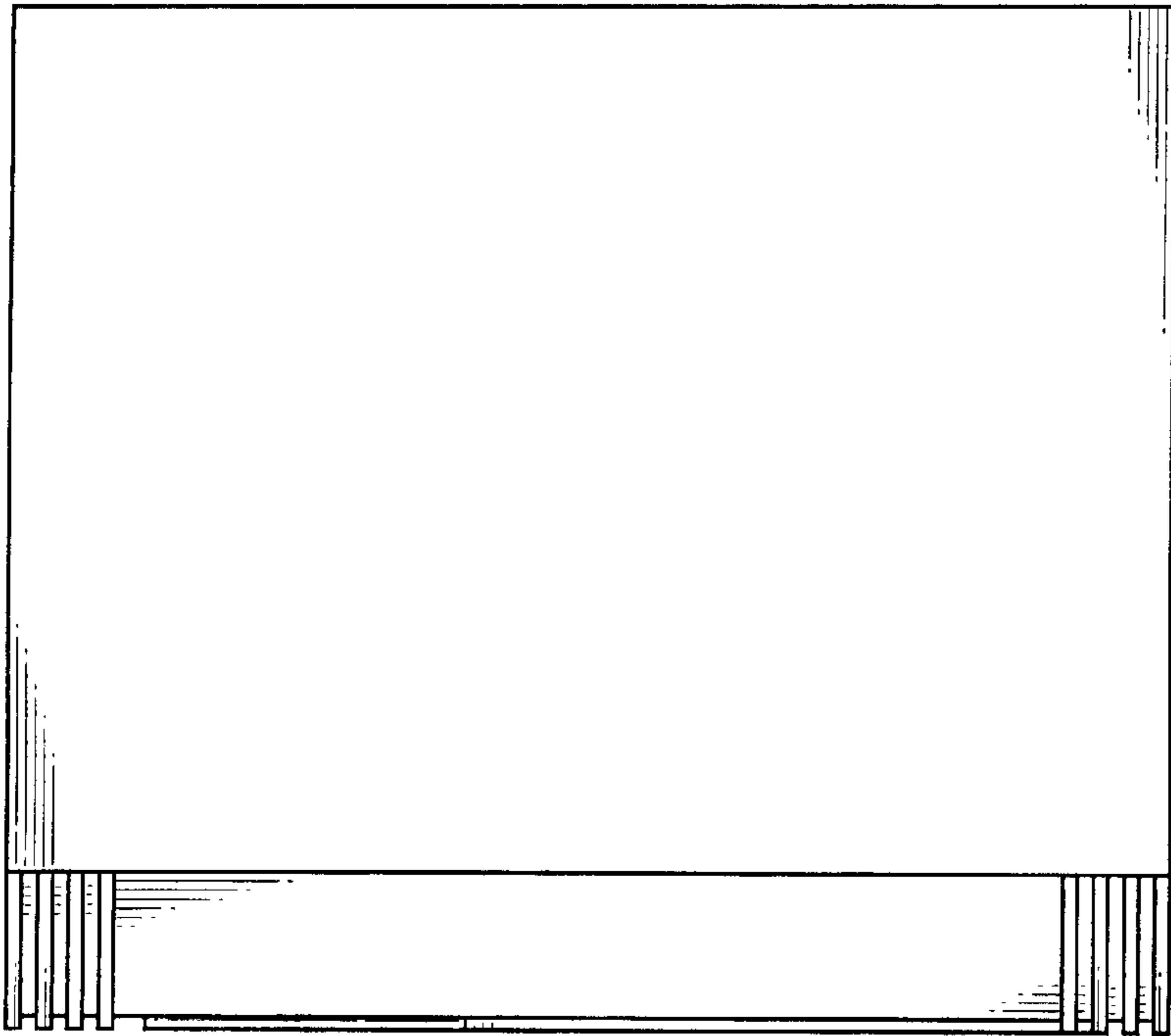


FIG. 3

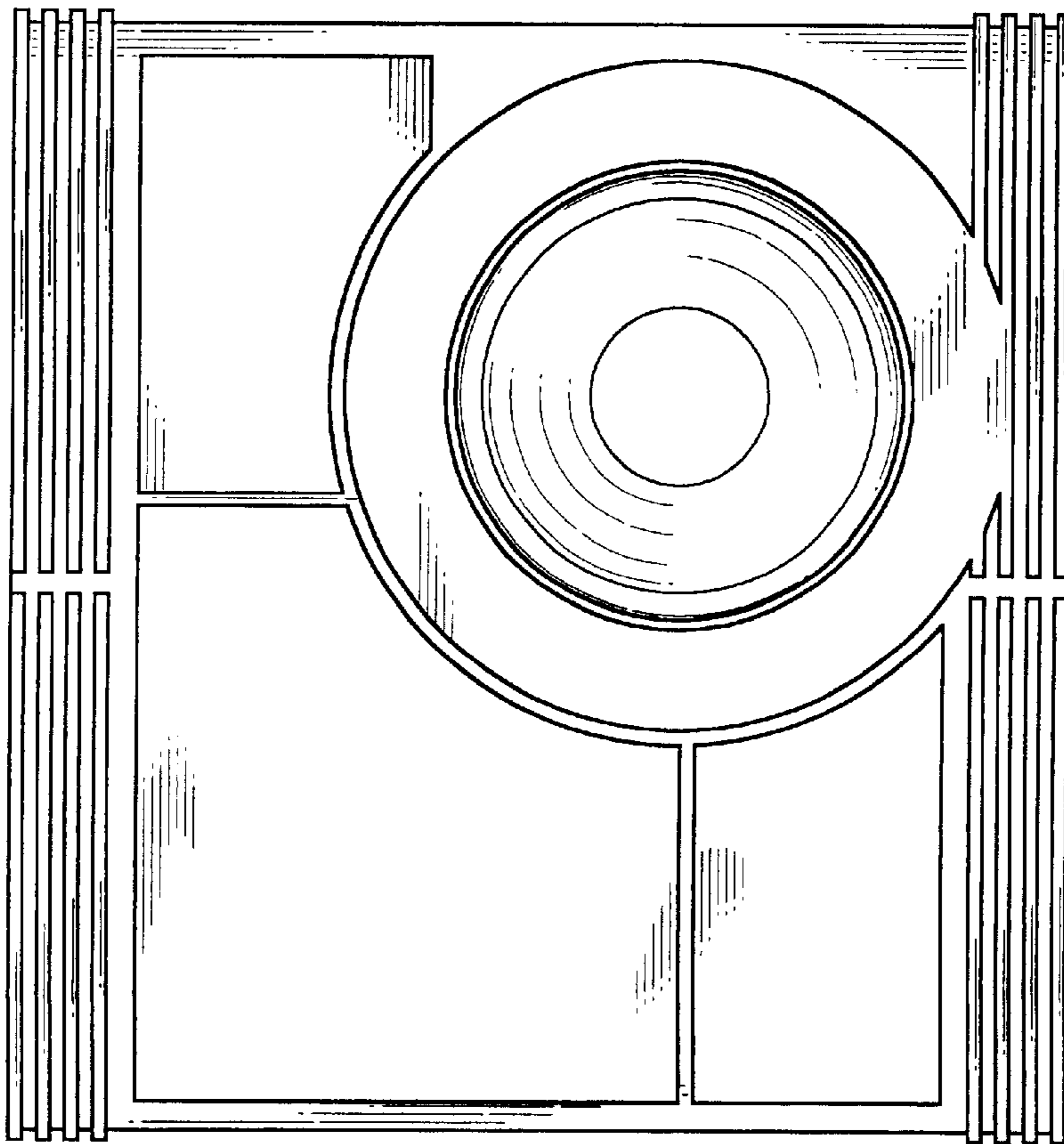


FIG. 2